



US00D405978S

# United States Patent [19]

Wiese

[11] Patent Number: **Des. 405,978**

[45] Date of Patent: **\*\*Feb. 23, 1999**

## [54] COMPACT DISK CADDY

[75] Inventor: **Lee R. Wiese**, Upper Nyack, N.Y.

[73] Assignee: **Henschel-Steinau, Inc.**, Englewood, N.J.

[\*\*] Term: **14 Years**

[21] Appl. No.: **69,732**

[22] Filed: **Apr. 2, 1997**

[51] LOC (6) Cl. .... **06-04**

[52] U.S. Cl. .... **D6/407; D6/457**

[58] Field of Search ..... D6/407, 626-630, D6/462-468, 410, 411, 455, 457, 461; D19/90, 92, 95; 312/9.1-9.64; D32/55, 58; 211/40, 41.1, 41.2, 41.3, 41.4, 42, 41.12, 34, 41.18, 37, 163; 206/307.1, 307, 308.1, 445, 387.15, 454, 387.1

## [56] References Cited

### U.S. PATENT DOCUMENTS

D. 240,384	7/1976	Rumble	.....	D6/457
D. 276,011	10/1984	Hannecke	.....	D6/467 X
D. 333,391	2/1993	Stein	.....	D6/457
D. 356,698	3/1995	Chow	.....	D6/407
D. 363,577	10/1995	Brightbill et al.	.....	D32/55
D. 369,712	5/1996	Sankey et al.	.....	D6/629
4,270,461	6/1981	Schramm	.....	211/40 X
4,336,759	6/1982	Hannecke	.....	D6/457 X
5,584,391	12/1996	Weisburn	.....	206/387.15

## OTHER PUBLICATIONS

Supreme-Royce Enterprise Co., LTD., item PL1980-1 p. 21, 1994.

*Primary Examiner*—Jeffrey Asch  
*Attorney, Agent, or Firm*—Arthur Jacob

## [57] CLAIM

The ornamental design for a compact disk caddy, as shown and described.

## DESCRIPTION

FIG. 1 is a front and left-side perspective view showing my new design;

FIG. 2 is a top plan view thereof, the bottom plan view being a mirror-image thereof;

FIG. 3 is a left side elevational view thereof;

FIG. 4 is a right side elevational view thereof;

FIG. 5 is a front elevational view thereof;

FIG. 6 is a rear elevational view thereof;

FIG. 7 is a front and left-side perspective view showing a second embodiment of my new design;

FIG. 8 is a top plan view thereof;

FIG. 9 is a left side elevational view thereof;

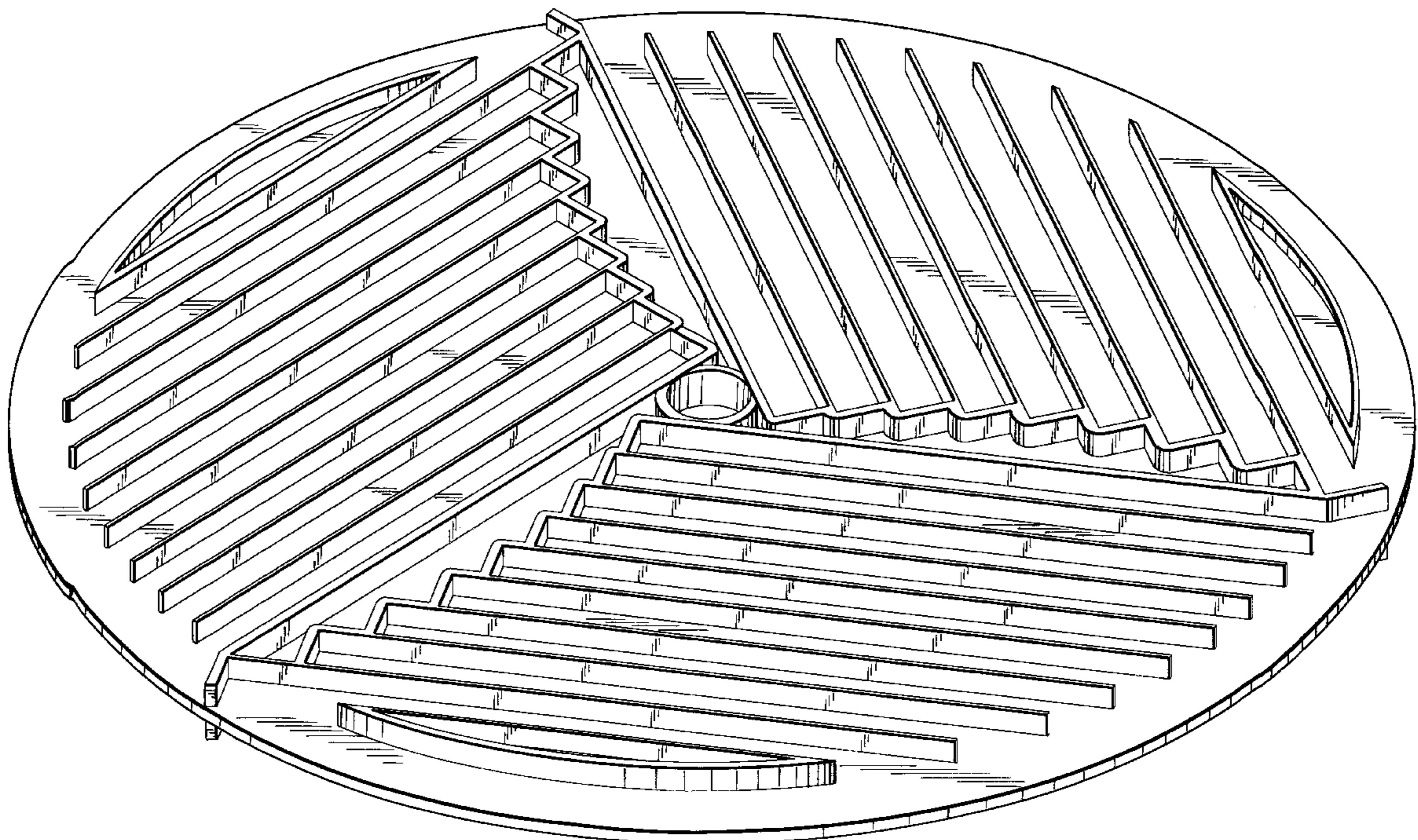
FIG. 10 is a right side elevational view thereof;

FIG. 11 is a front elevational view thereof;

FIG. 12 is a rear elevational view thereof; and,

FIG. 13 is a bottom plan view thereof.

**1 Claim, 7 Drawing Sheets**



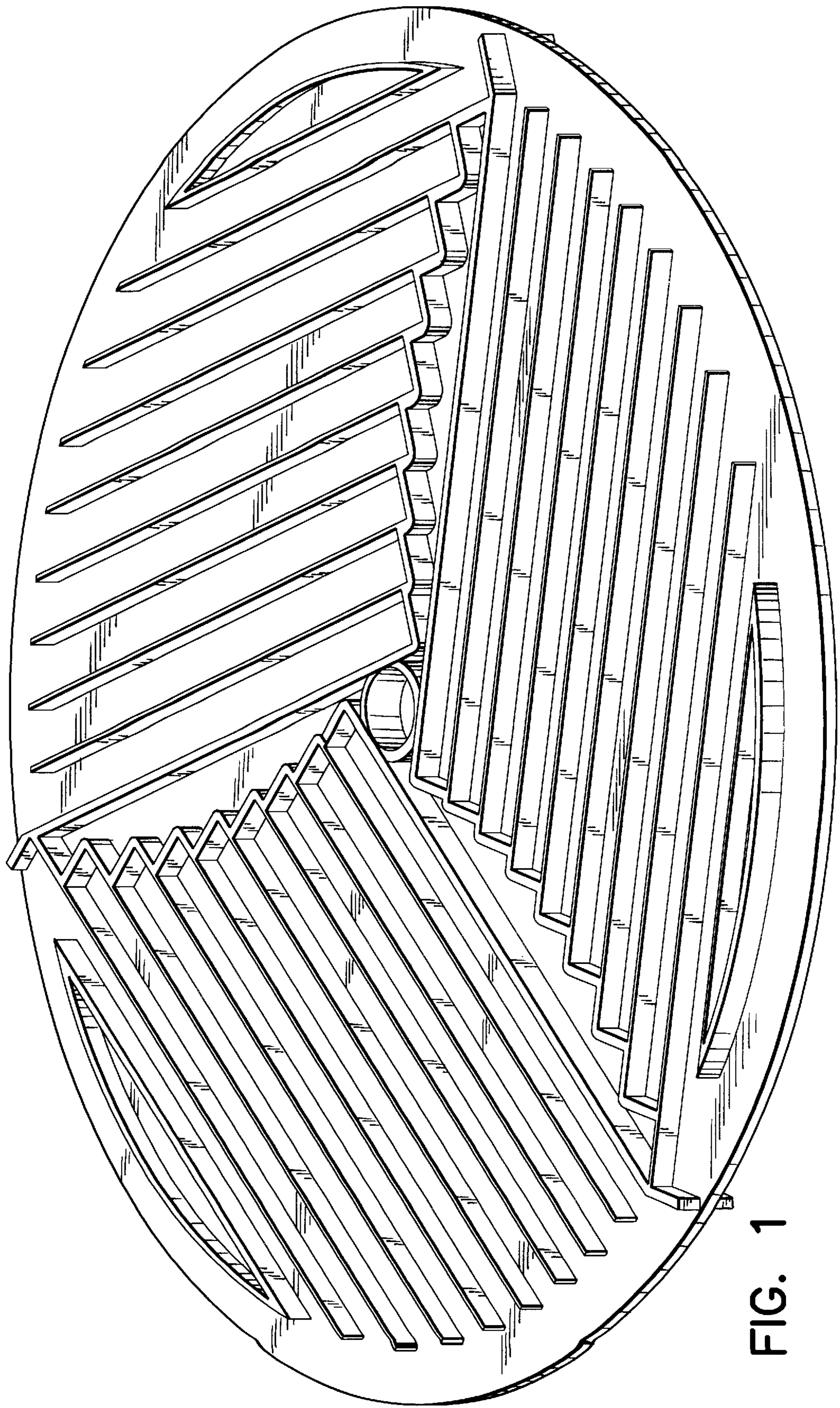


FIG. 1

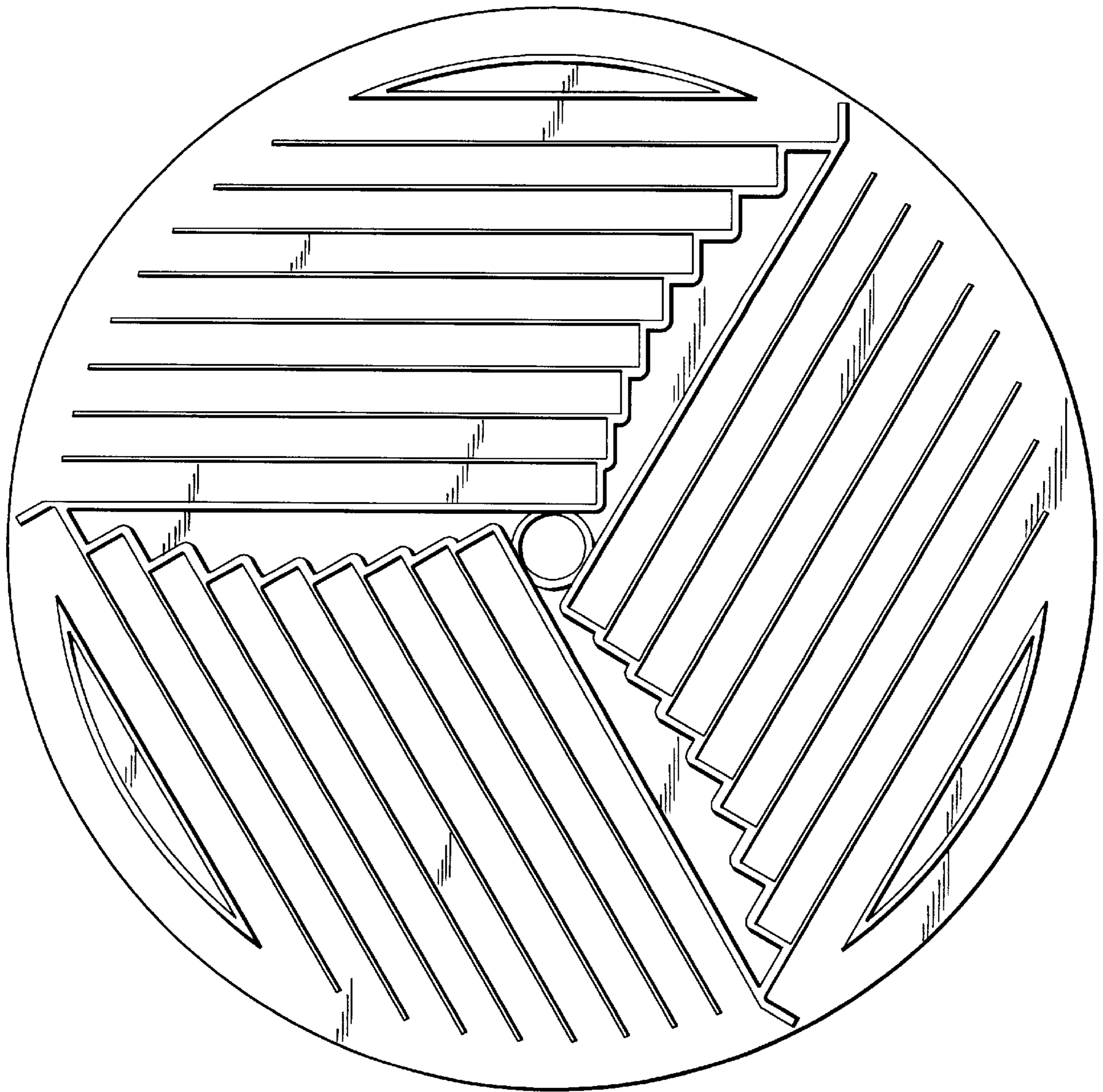


FIG. 2



FIG. 3



FIG. 4



FIG. 5

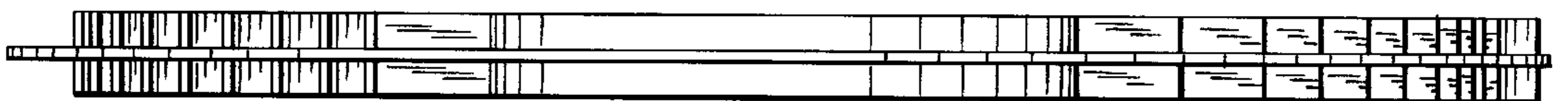


FIG. 6

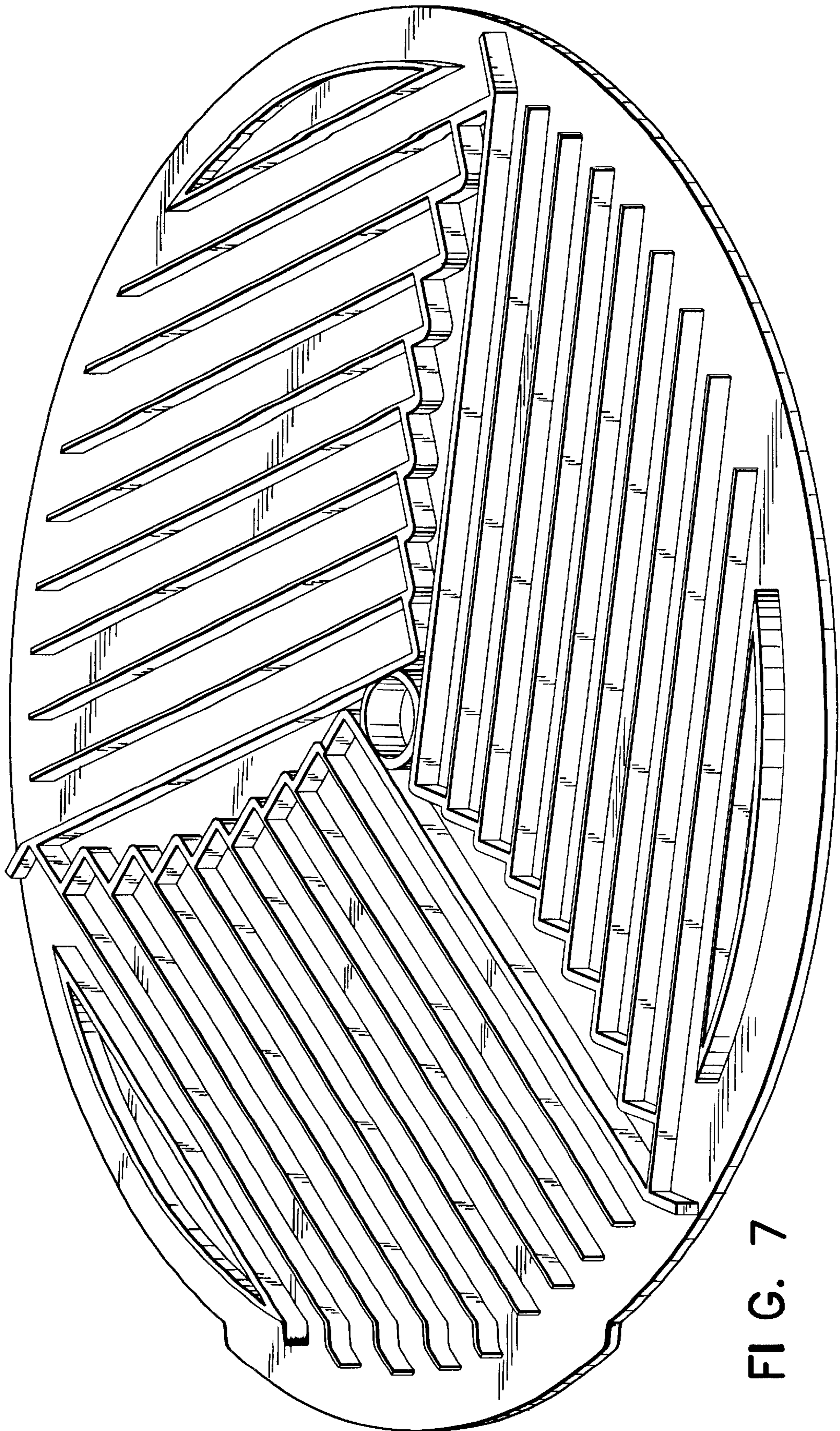


FIG. 7

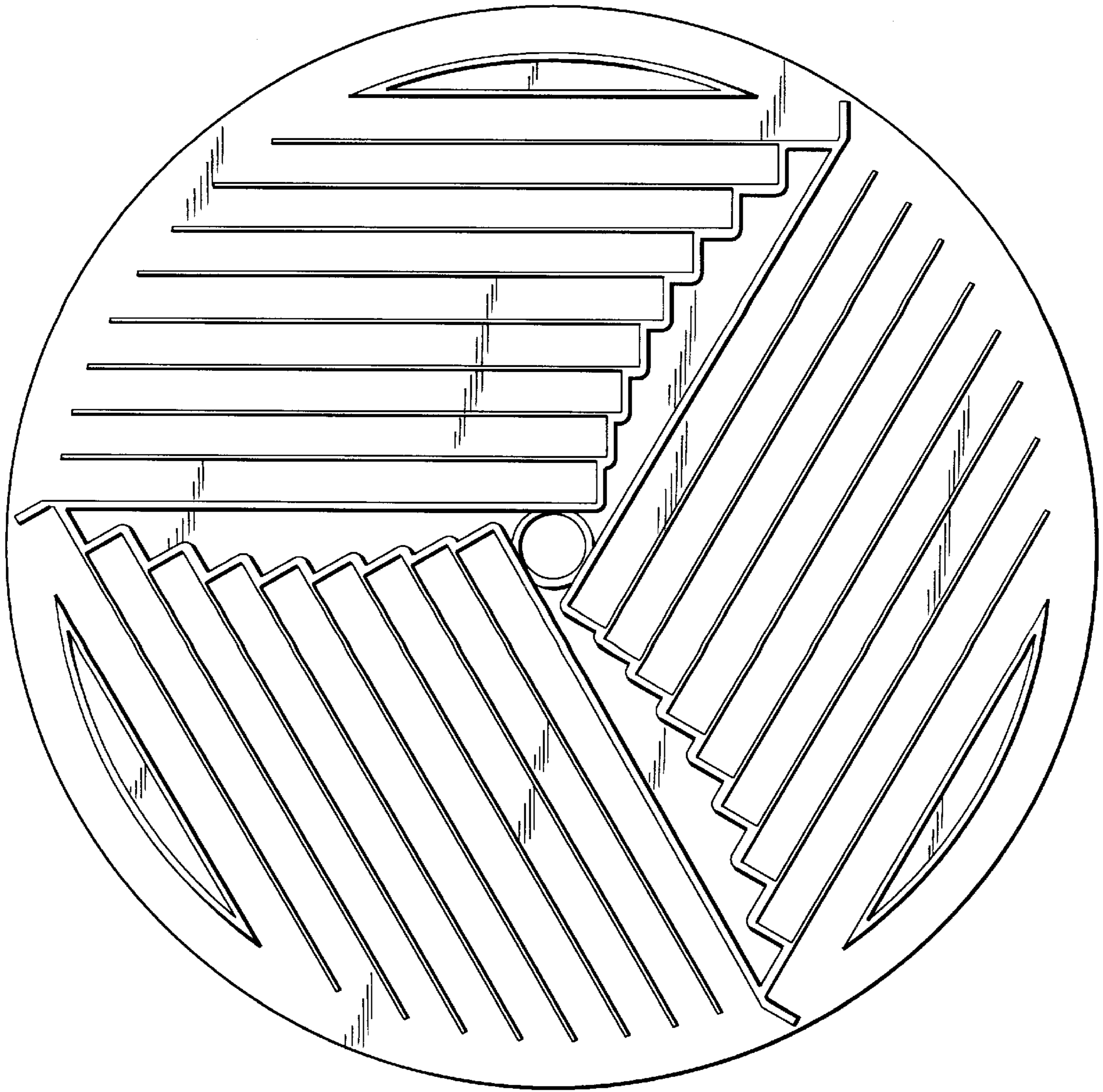


FIG. 8

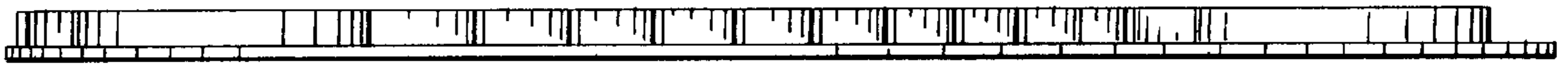


FIG. 9



FIG. 10

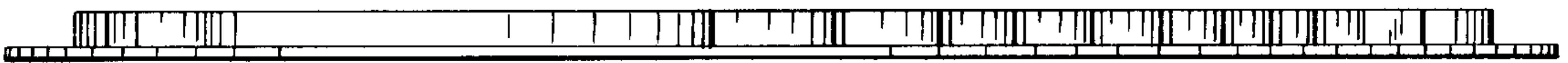


FIG. 11

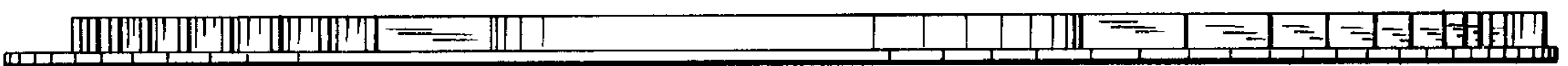


FIG. 12

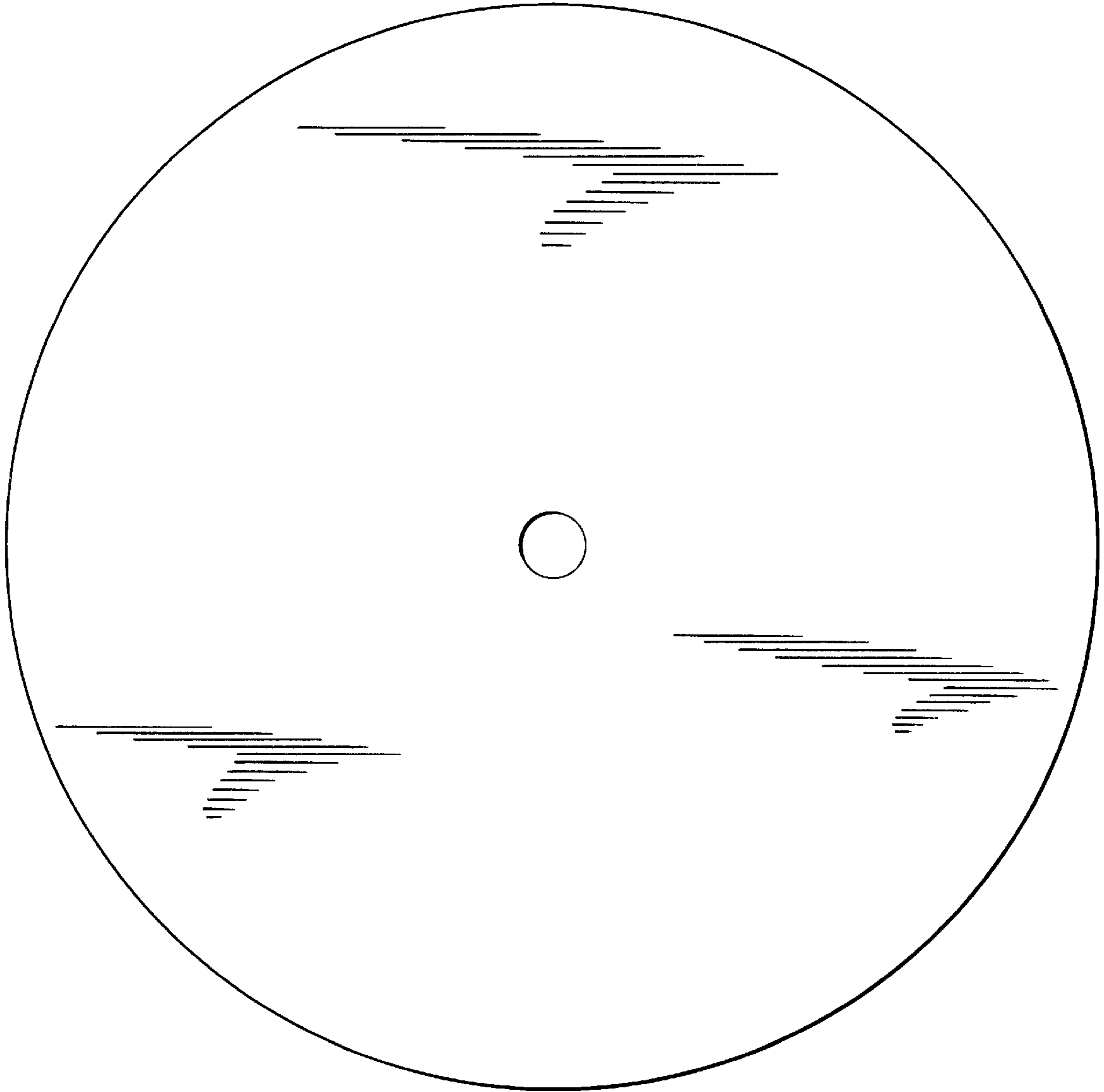


FIG. 13