



US00D405970S

**United States Patent** [19]  
**Kaczmarek**

[11] **Patent Number: Des. 405,970**

[45] **Date of Patent: \*\*Feb. 23, 1999**

[54] **CHAIR**

[75] Inventor: **Peter Kaczmarek**, Downsview, Canada

[73] Assignee: **Global Upholstery Company**,  
Downsview, Canada

[\*\*] Term: **14 Years**

[21] Appl. No.: **88,671**

[22] Filed: **May 29, 1998**

[51] **LOC (6) Cl.** ..... **06-01**

[52] **U.S. Cl.** ..... **D6/366**

[58] **Field of Search** ..... D6/334, 364, 365,  
D6/366, 367, 379, 500, 501, 502; 297/411.2,  
411.27, 411.28

[56] **References Cited**

**U.S. PATENT DOCUMENTS**

D. 268,799	5/1983	Feldberg .	
D. 290,321	6/1987	Vogtherr .....	D6/500
D. 291,159	8/1987	Monesi .....	D6/366
D. 357,130	4/1995	Schultz .....	D6/366

D. 371,264	7/1996	McDiarmid .....	D6/502
D. 388,270	12/1997	Schultz et al. ....	D6/501

**FOREIGN PATENT DOCUMENTS**

70314	3/1992	Canada .
83527	4/1998	Canada .

*Primary Examiner*—Gary D. Watson  
*Attorney, Agent, or Firm*—Philip Mendes da Costa Bereskin  
& Parr

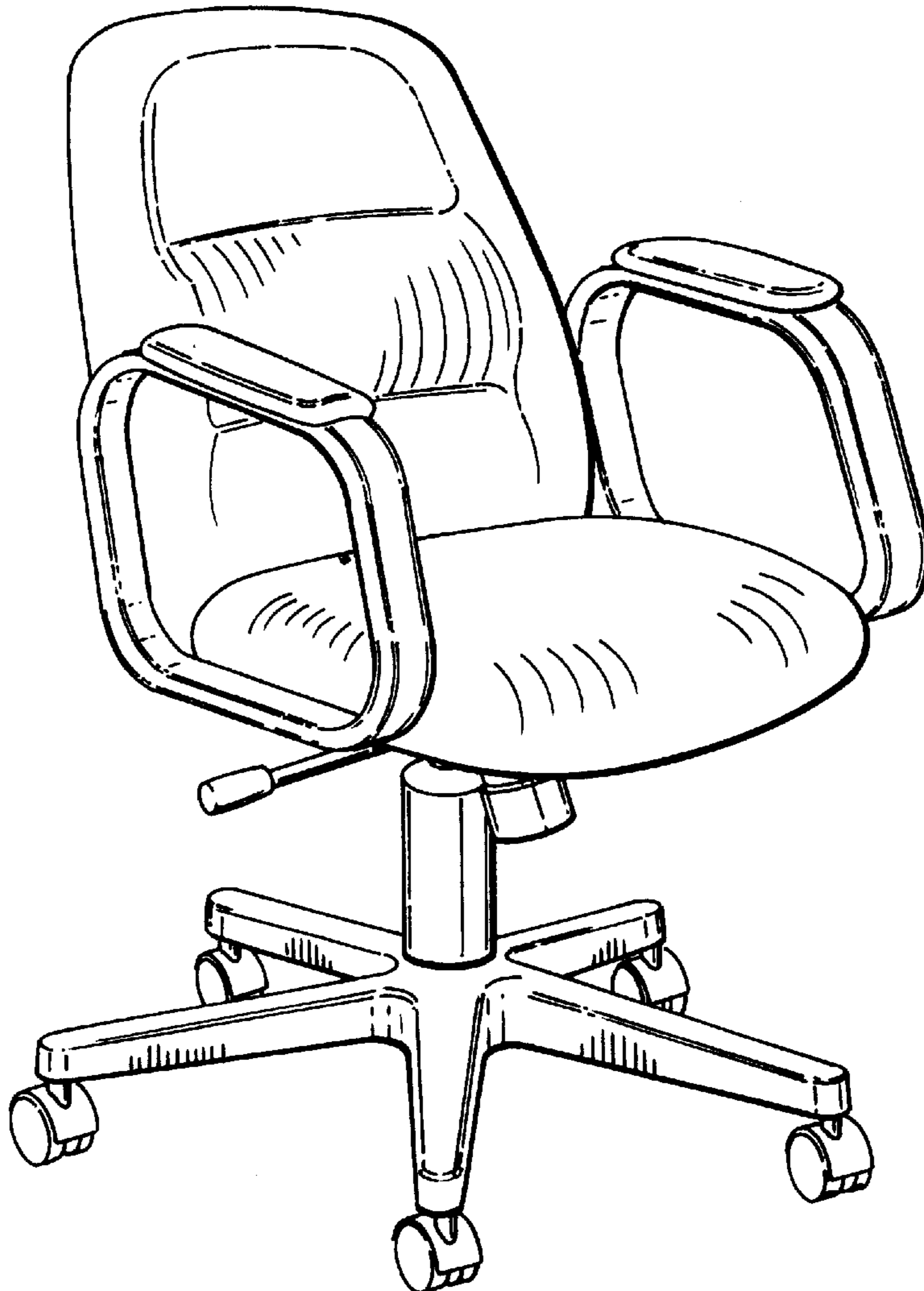
[57] **CLAIM**

The ornamental design for a chair, as shown and described.

**DESCRIPTION**

FIG. 1 is a perspective view from the front and to one side of the chair;  
FIG. 2 is a side elevational view of the chair of FIG. 1, the other side of the chair being a mirror image of this view except for also having the control lever shown in FIG. 1;  
FIG. 3 is a front elevational view of the chair of FIG. 1;  
FIG. 4 is a rear elevational view of the chair of FIG. 1; and,  
FIG. 5 is a top plan view of the chair of FIG. 1.

**1 Claim, 2 Drawing Sheets**



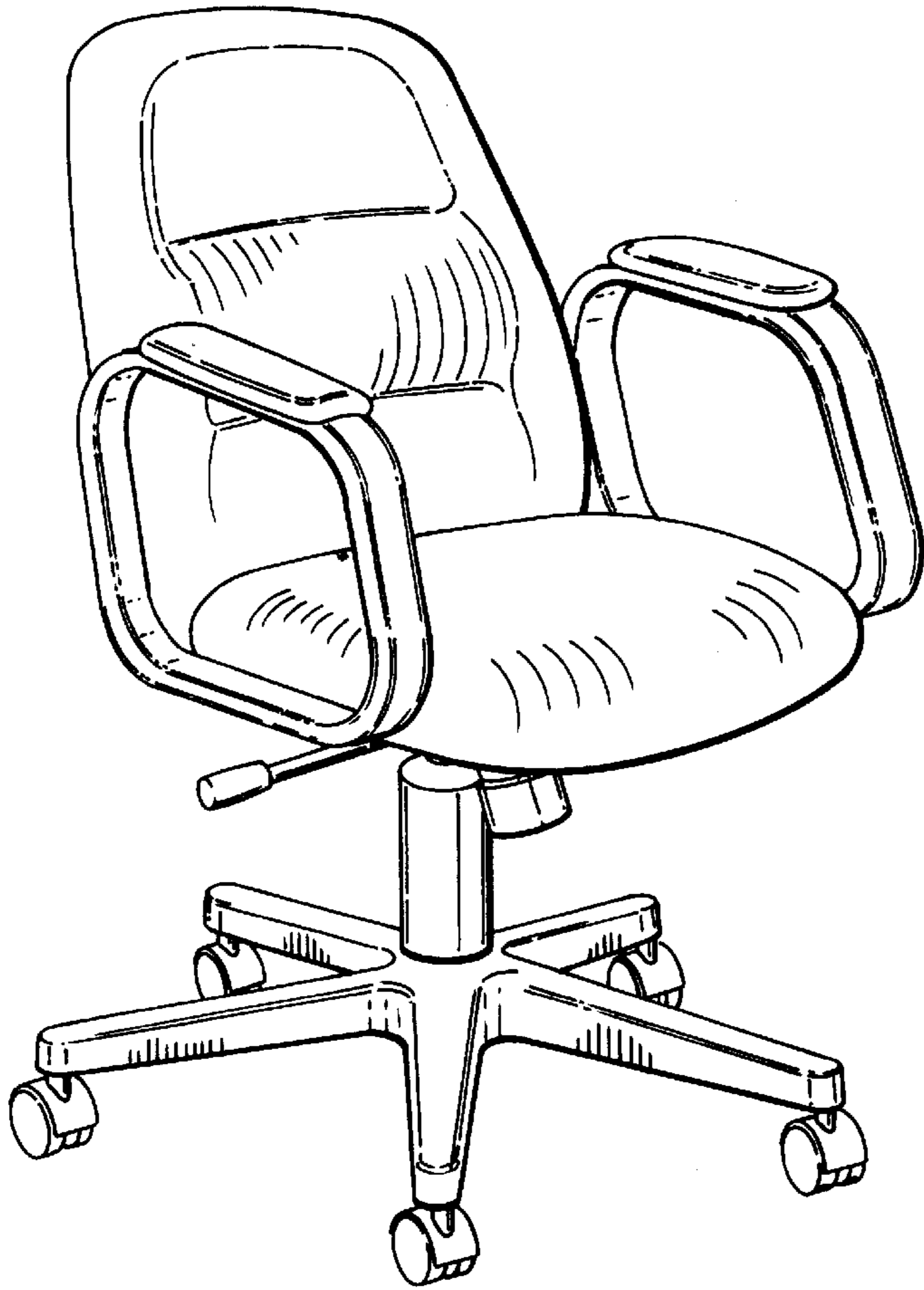


FIG. 1.

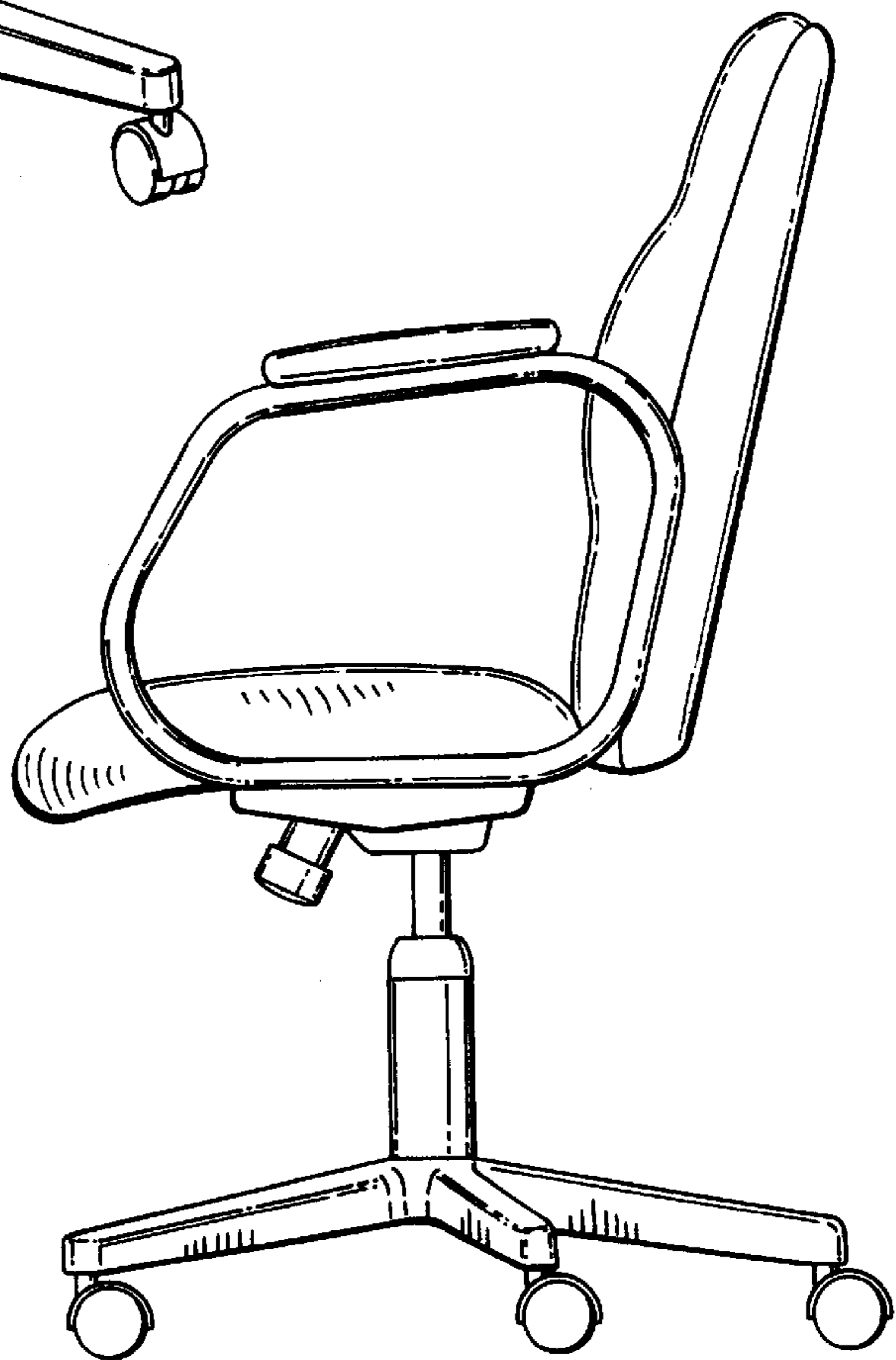


FIG. 2.

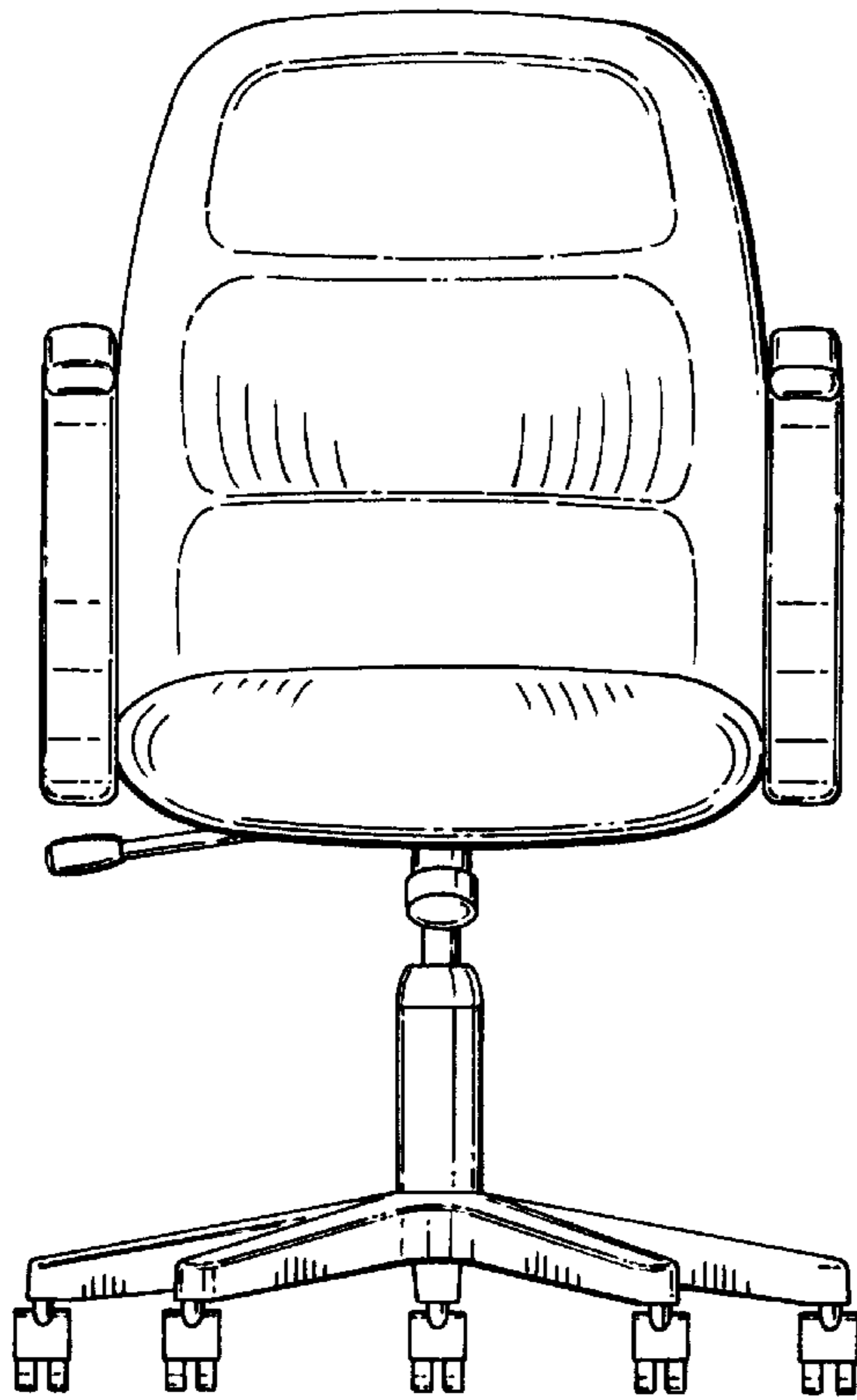


FIG. 3.

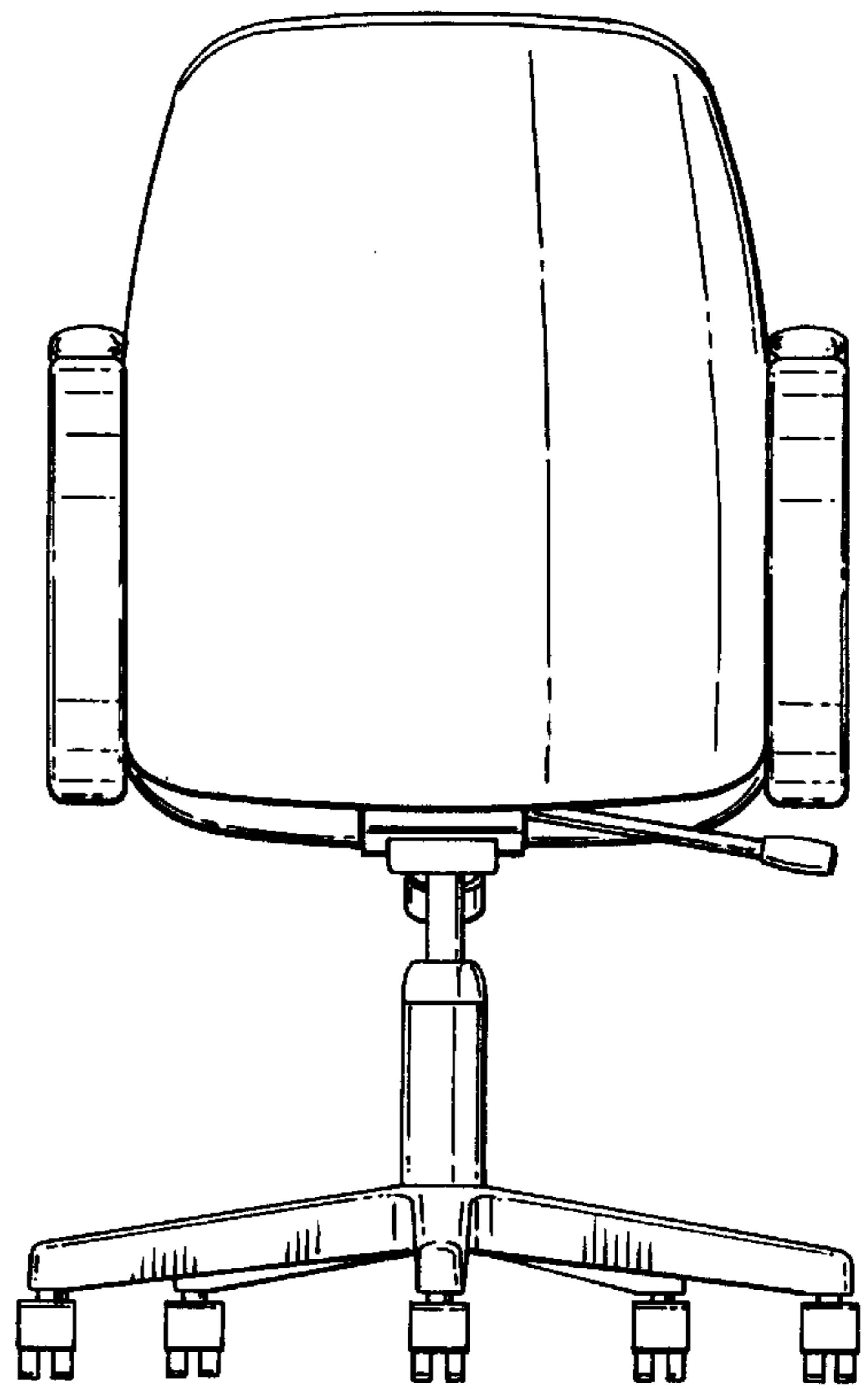


FIG. 4.

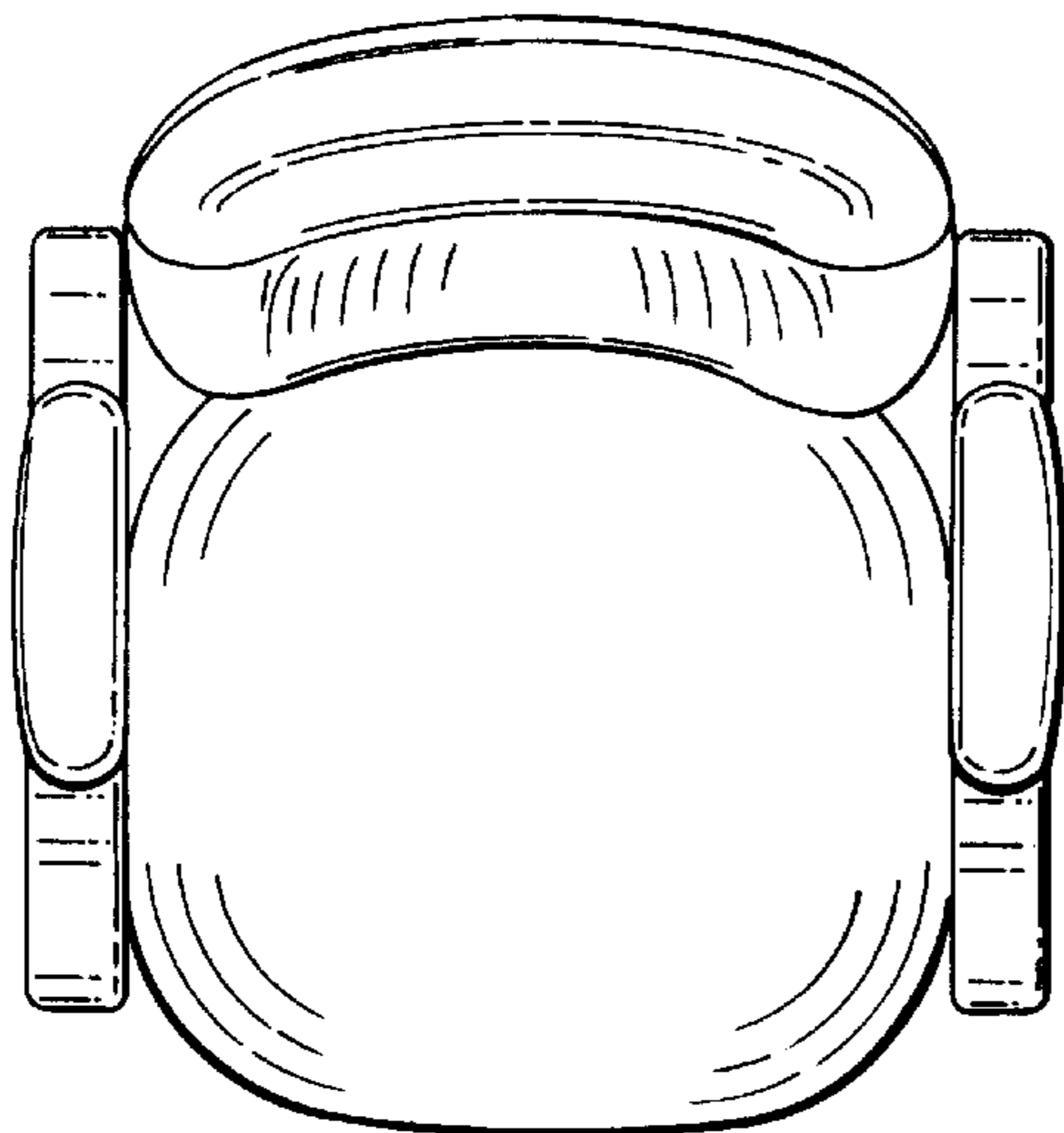


FIG. 5.