



US00D405965S

**United States Patent** [19]  
**Cardenas**

[11] **Patent Number: Des. 405,965**

[45] **Date of Patent: \*\*Feb. 23, 1999**

[54] **COMBINED HOOK AND MULTIPLE HANGER SUPPORT**

[76] Inventor: **John Cardenas**, 339 W. Norman Ave., Arcadia, Calif. 91007

[\*\*] Term: **14 Years**

[21] Appl. No.: **85,508**

[22] Filed: **Mar. 25, 1998**

[51] **LOC (6) Cl.** ..... **06-08**

[52] **U.S. Cl.** ..... **D6/328; D8/370**

[58] **Field of Search** ..... **D3/315; D6/328; D8/367, 370; 248/215, 339; 211/113; 294/142, 143, 146, 153, 161**

[56] **References Cited**

**U.S. PATENT DOCUMENTS**

- D. 193,919 10/1962 Meyer et al. .
- D. 321,795 11/1991 Winston .
- D. 343,113 1/1994 Brooks .
- D. 395,555 6/1998 Ursitti .
- 2,941,672 6/1960 Lathrop .
- 5,515,981 5/1996 Gregory et al. .
- 5,584,455 12/1996 Artemi .

*Primary Examiner*—B. J. Bullock  
*Attorney, Agent, or Firm*—Curtis L. Harrington

[57] **CLAIM**

The ornamental design for a combined hook and multiple hanger support, as shown and described.

**DESCRIPTION**

FIG. 1 is a front perspective view of the combined hook and multiple hanger support with shown in grasped position and with lower support loops seen in bulging opened position and to the left;

FIG. 2 is a left side view thereof bulges directed at the viewer;

FIG. 3 is a right side view thereof and illustrating stitches;

FIG. 4 is a front view thereof;

FIG. 5 is a rear view thereof;

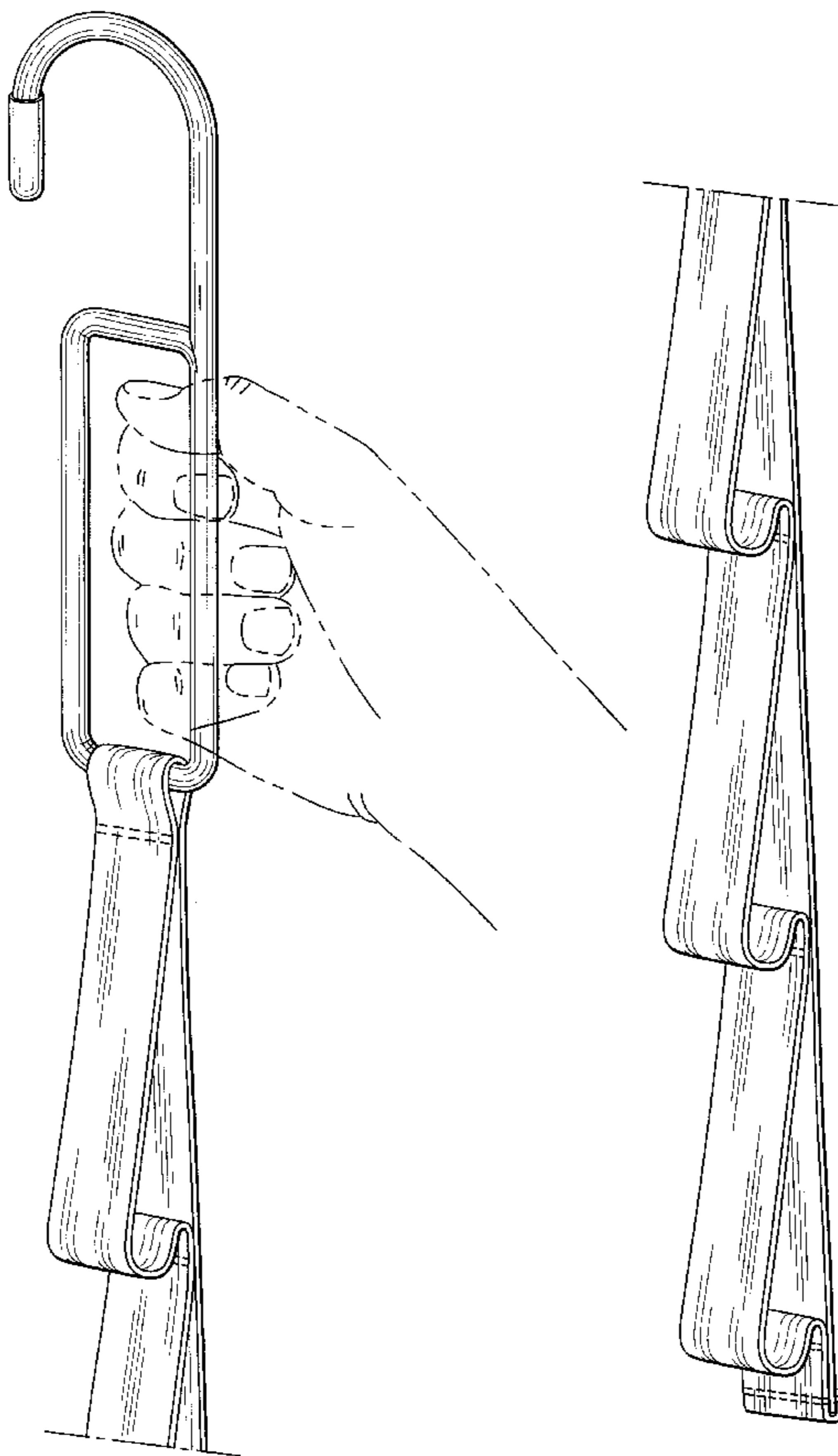
FIG. 6 is a top view thereof;

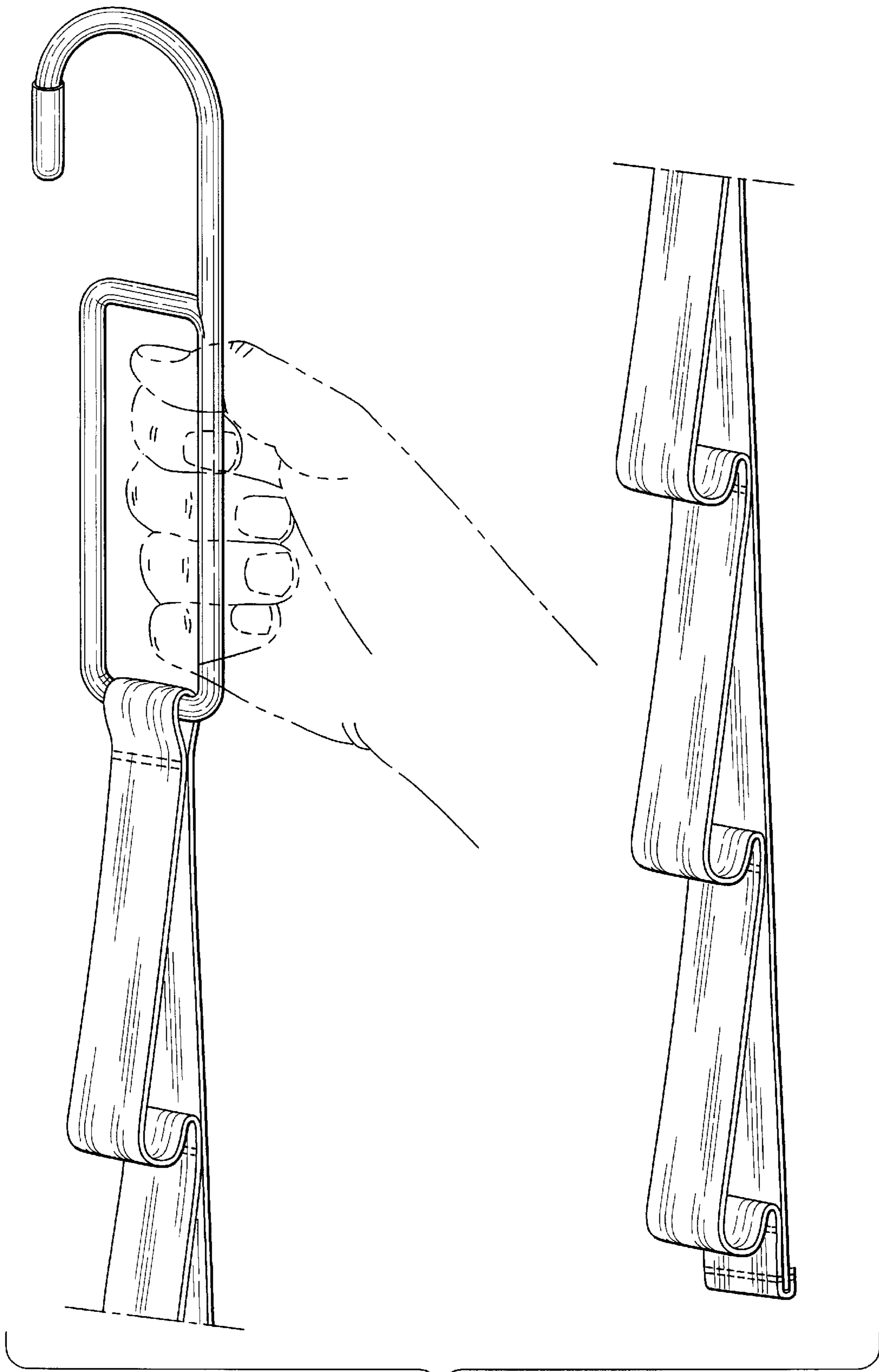
FIG. 7 is a bottom view thereof; and,

FIG. 8 is a perspective view of a second embodiment of the design of FIG. 1, the only difference being the orientation of the hook to the to the support.

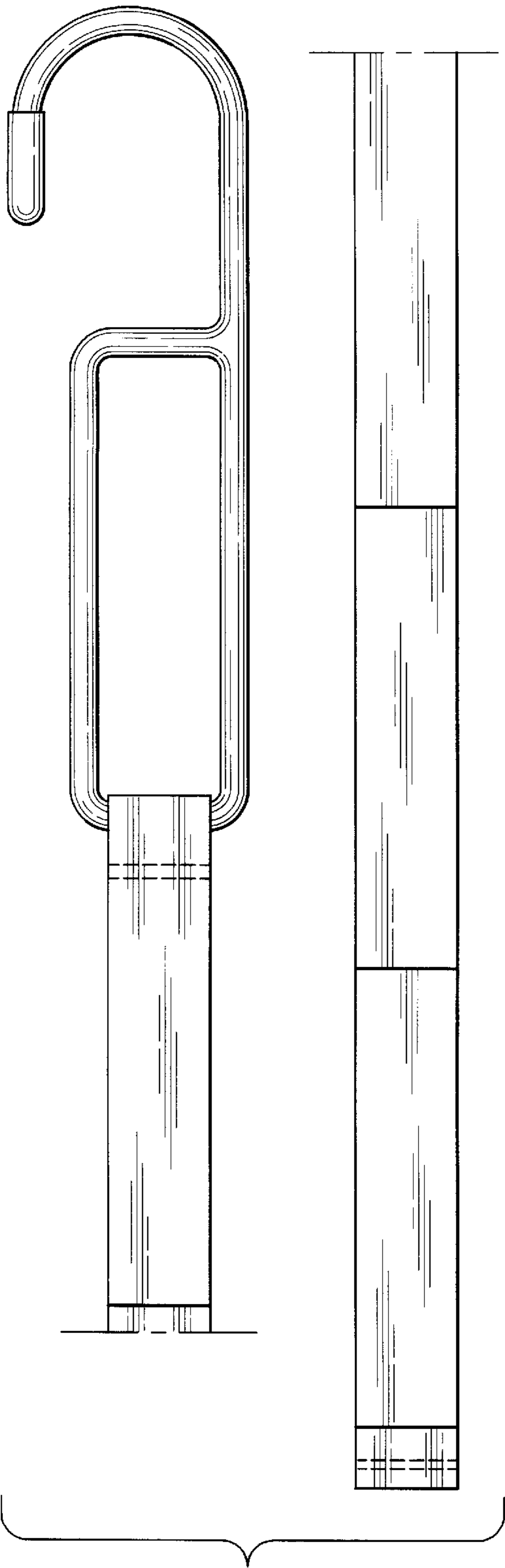
FIGS. 1–5 and 8 are shown broken away to indicate indeterminate length. The broken lines in FIGS. 1–3 and 8 which extend across the support represent stitching while the broken line showing of a hand and portion of an arm in FIGS. 1 and 8 is for illustrative purposes only and forms no part of the claimed design.

**1 Claim, 4 Drawing Sheets**

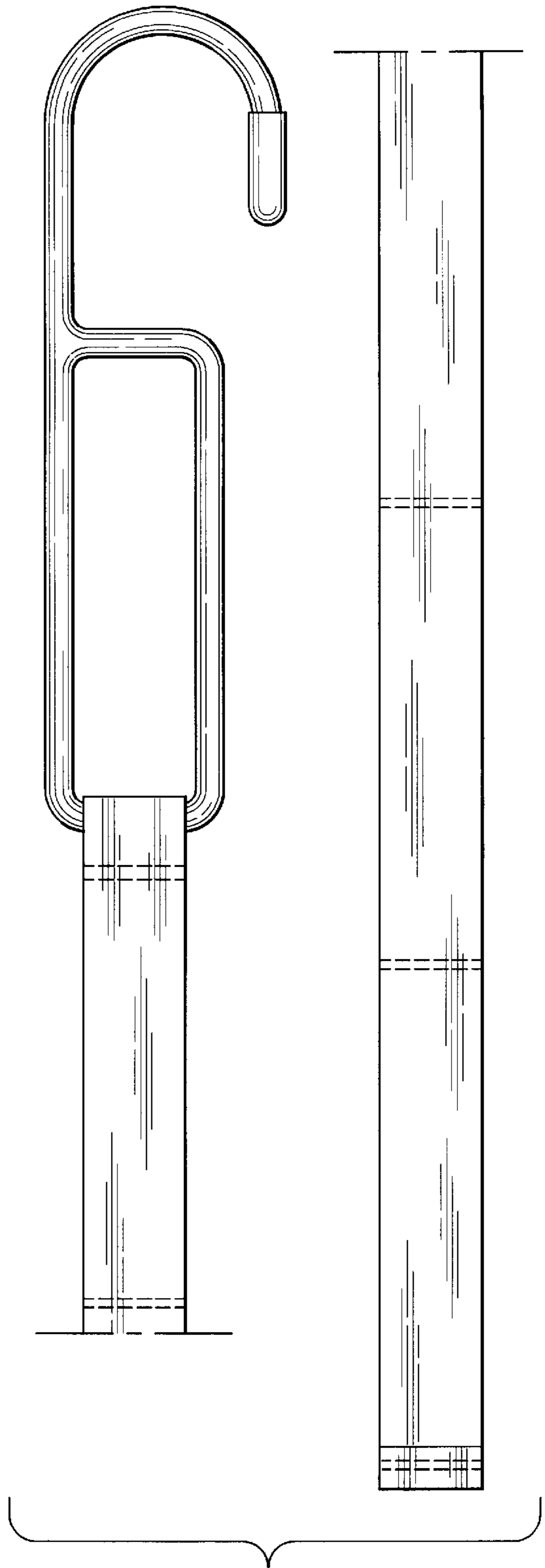




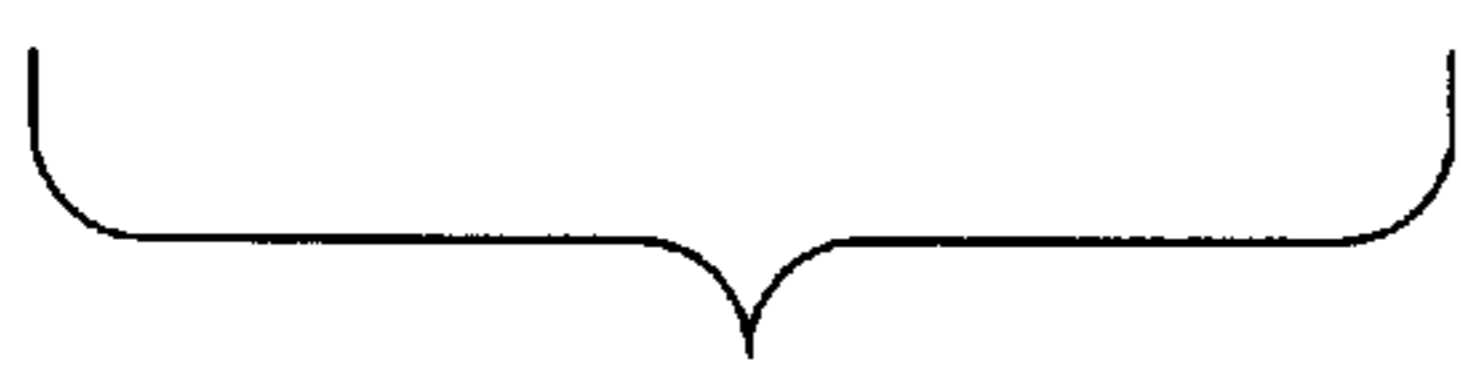
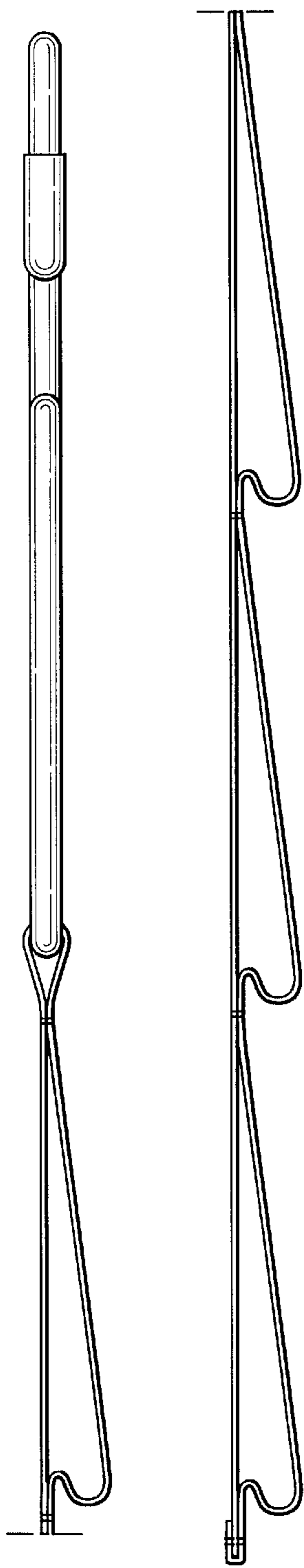
*Fig. 1*



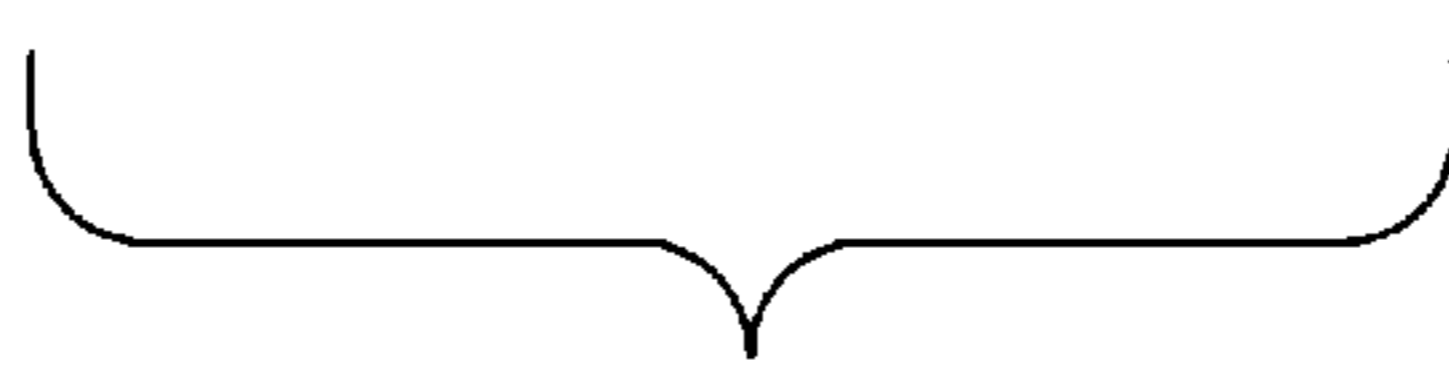
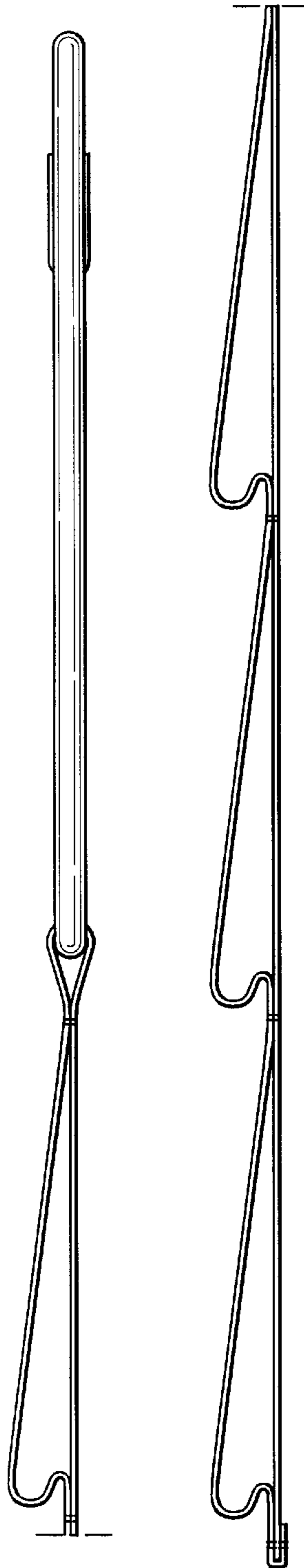
*Fig. 2*



*Fig. 3*



*Fig. 4*



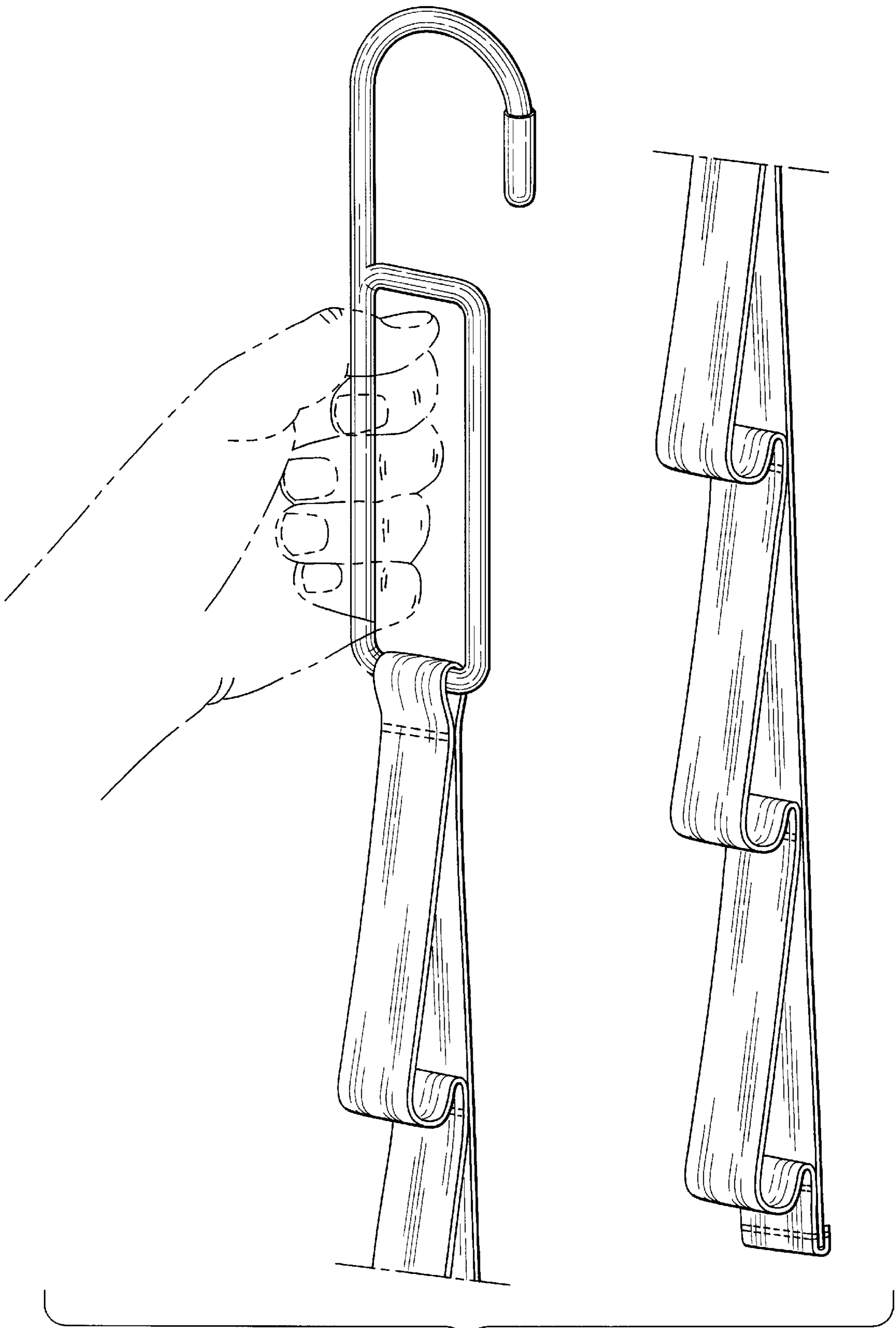
*Fig. 5*



*Fig. 6*



*Fig. 7*



*Fig. 8*