



US00D405964S

**United States Patent** [19]  
**Willinger**

[11] **Patent Number: Des. 405,964**

[45] **Date of Patent: \*\*Feb. 23, 1999**

[54] **GARMENT HANGER**

4,716,634 1/1988 Fan ..... 223/91  
4,759,480 7/1988 Duester ..... 223/96

[75] Inventor: **Jonathan Willinger**, Tenafly, N.J.

*Primary Examiner*—B. J. Bullock  
*Attorney, Agent, or Firm*—Helfgott & Karas, PC.

[73] Assignee: **Randy Hangers**, East Rutherford, N.J.

[\*\*] Term: **14 Years**

[57] **CLAIM**

[21] Appl. No.: **90,166**

The ornamental design for a garment hanger, as shown and described.

[22] Filed: **Jul. 1, 1998**

**DESCRIPTION**

[51] **LOC (6) Cl.** ..... **06-08**

[52] **U.S. Cl.** ..... **D6/326; D6/328**

[58] **Field of Search** ..... D6/315, 326, 328;  
211/113; 223/85, 90, 91, 93, 96; 24/511

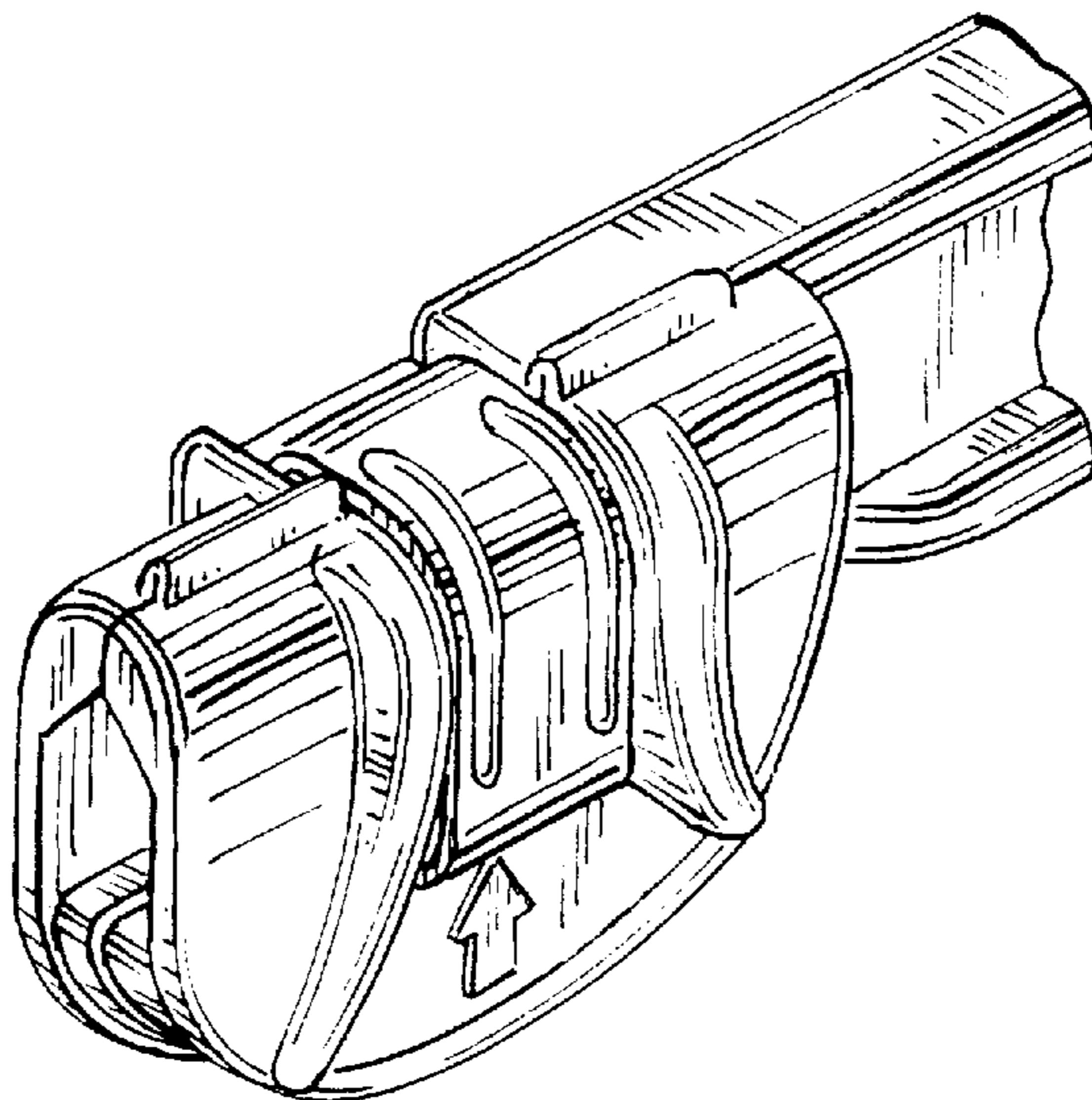
FIG. 1 is a perspective view of the garment hanger showing the new design;  
FIG. 2 is a top plan view thereof;  
FIG. 3 is a front view thereof;  
FIG. 4 is a left view thereof;  
FIG. 5 is a right view thereof;  
FIG. 6 is a bottom plan view thereof;  
FIG. 7 is a back plan view thereof; and,  
FIG. 8 is a sectional view taken in the direction of the arrows on line 8—8 of FIG. 7.

[56] **References Cited**

**U.S. PATENT DOCUMENTS**

D. 299,086	12/1988	Wilson	.....	D6/326
D. 316,334	4/1991	Duester	.....	D6/328
3,767,092	10/1973	Garrison et al.	.....	223/96
4,194,274	3/1980	Garrison	.....	223/91

**1 Claim, 1 Drawing Sheet**



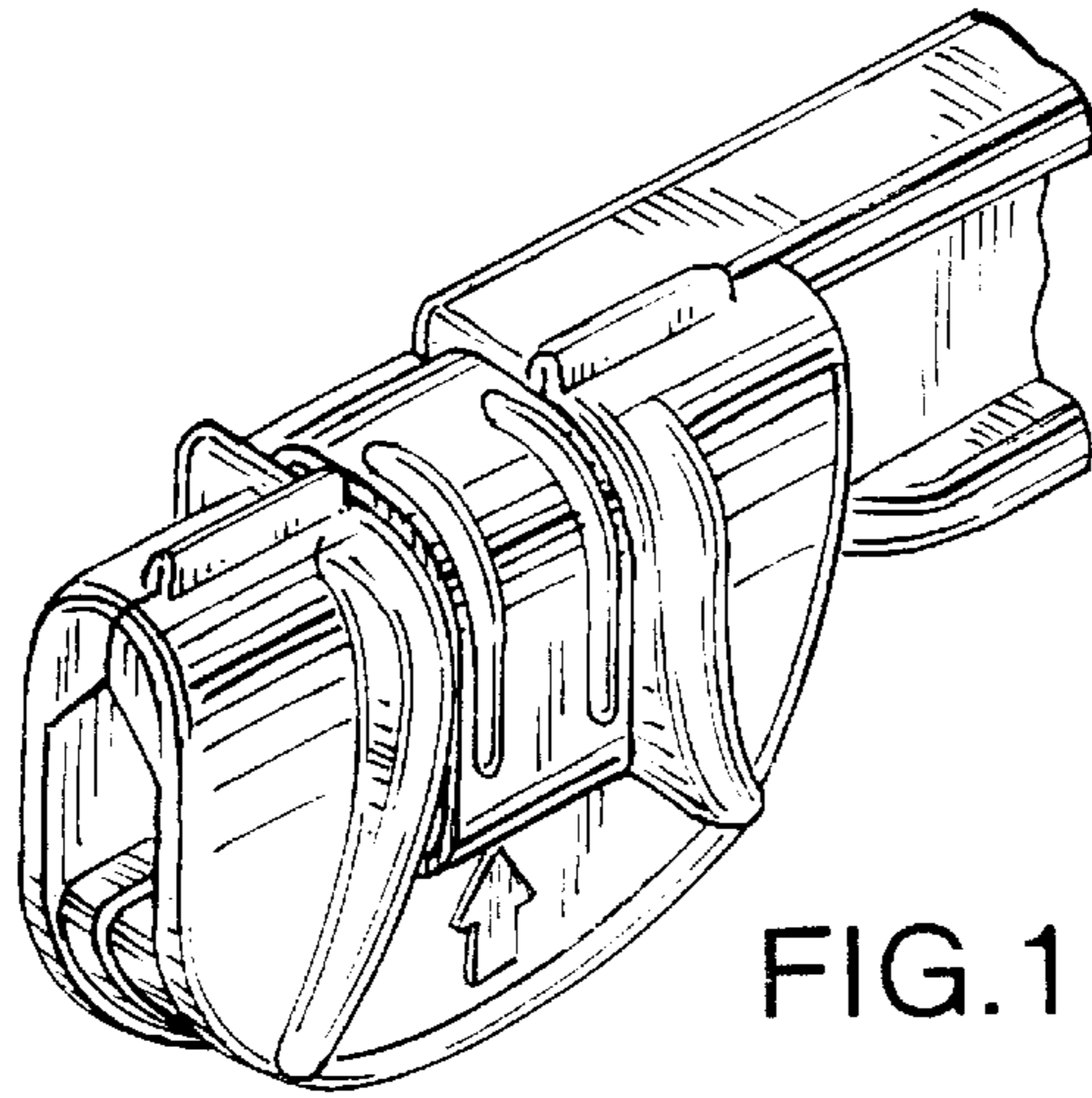


FIG. 1

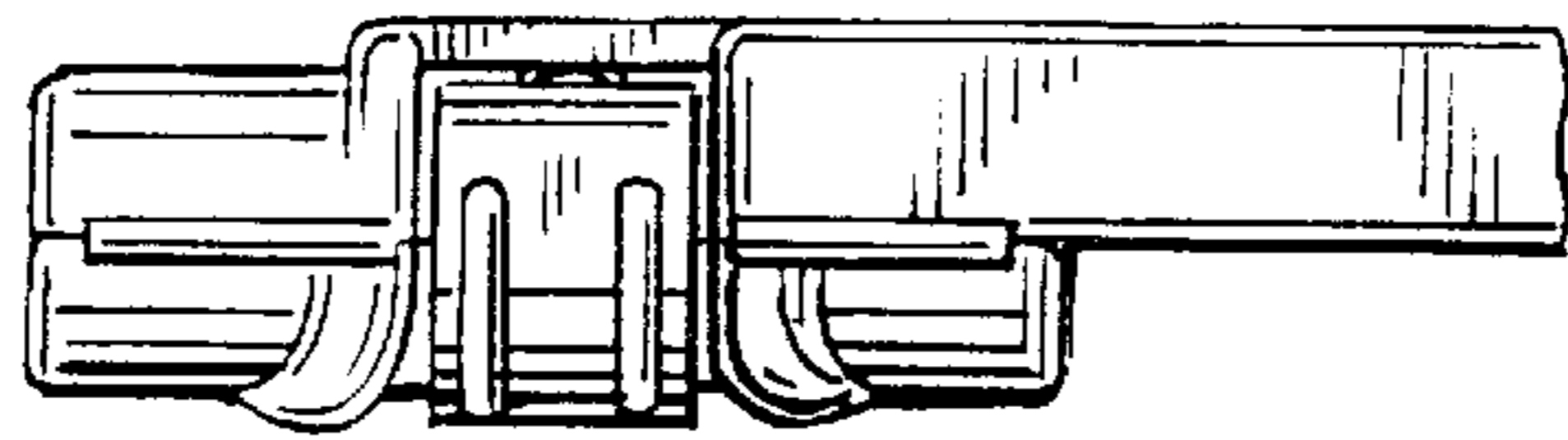


FIG. 2

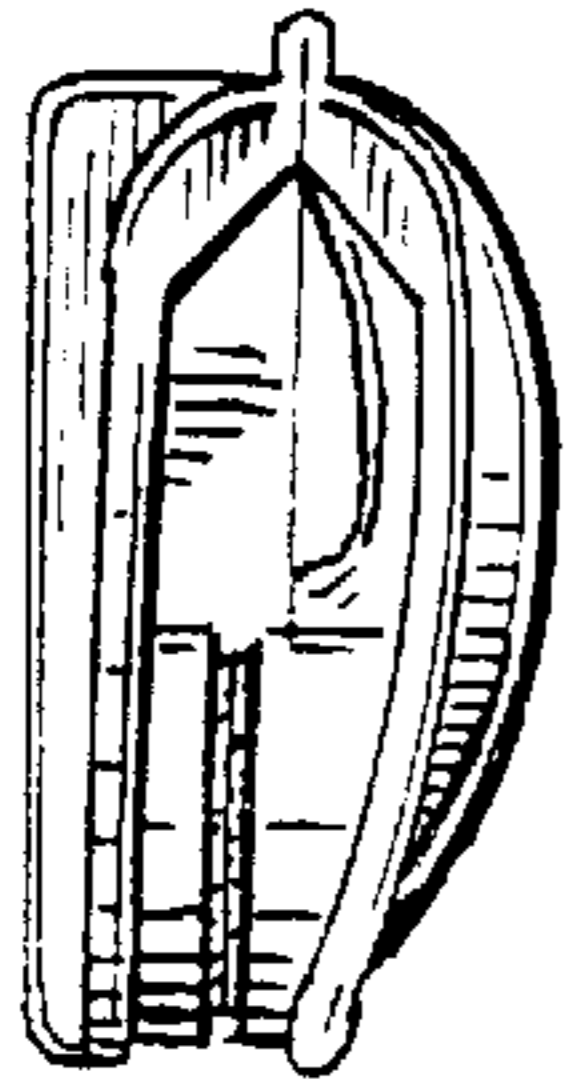


FIG. 4

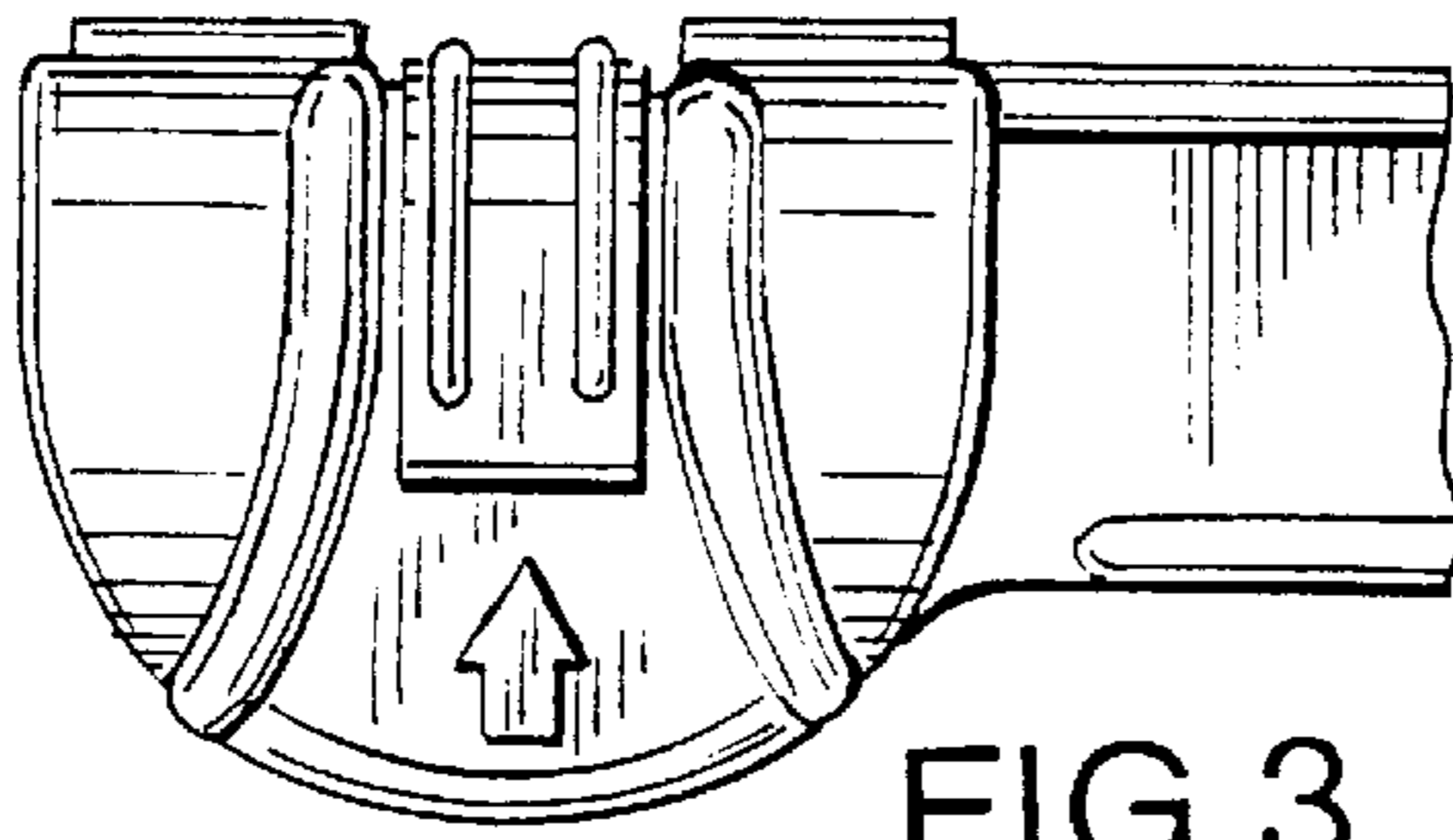


FIG. 3

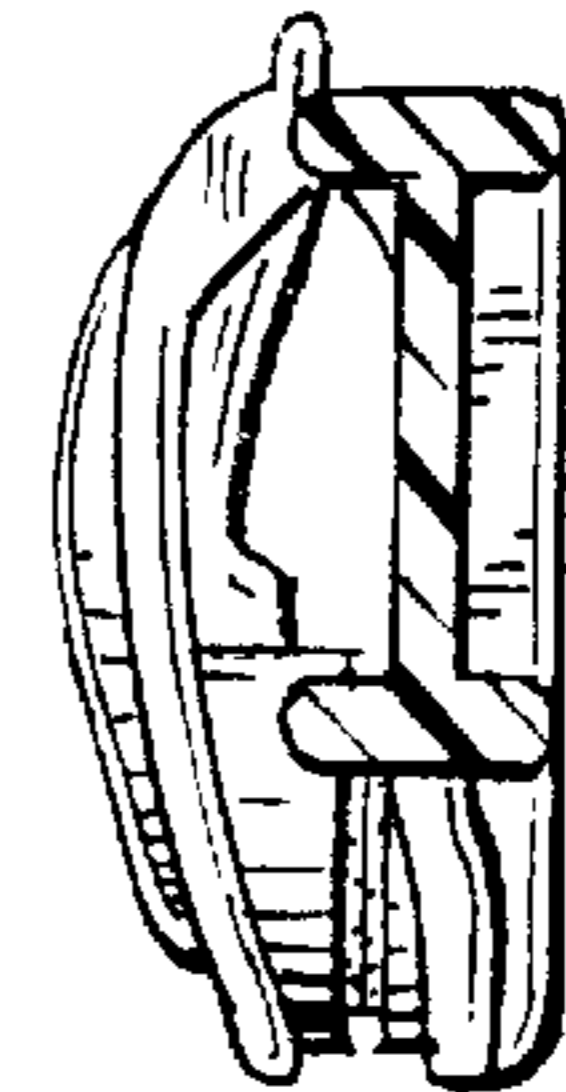


FIG. 5

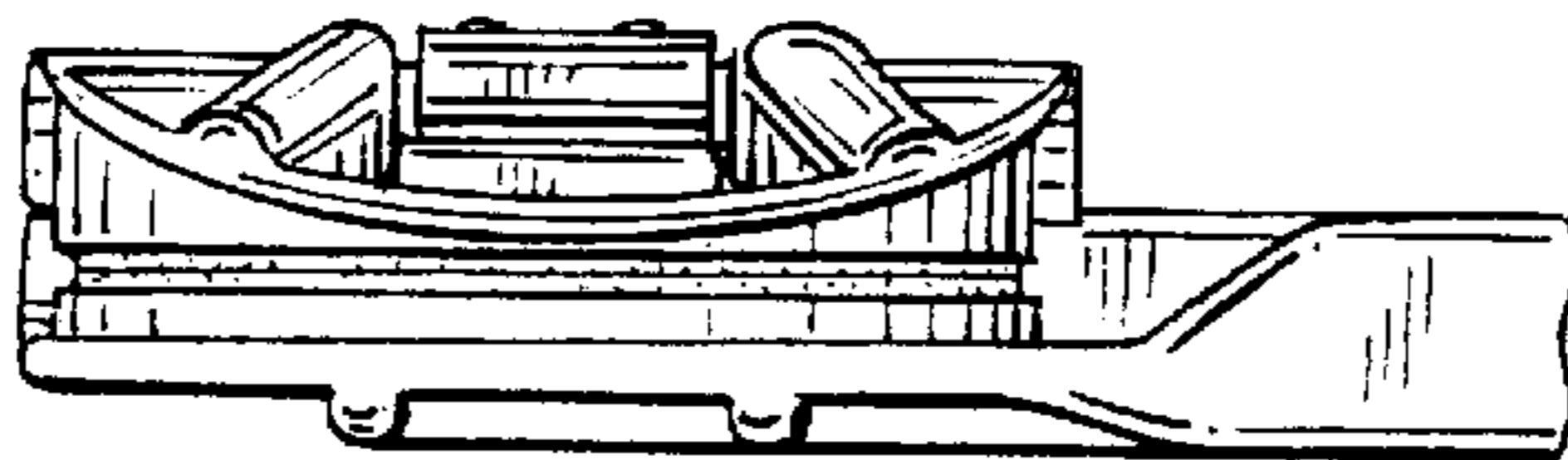


FIG. 6

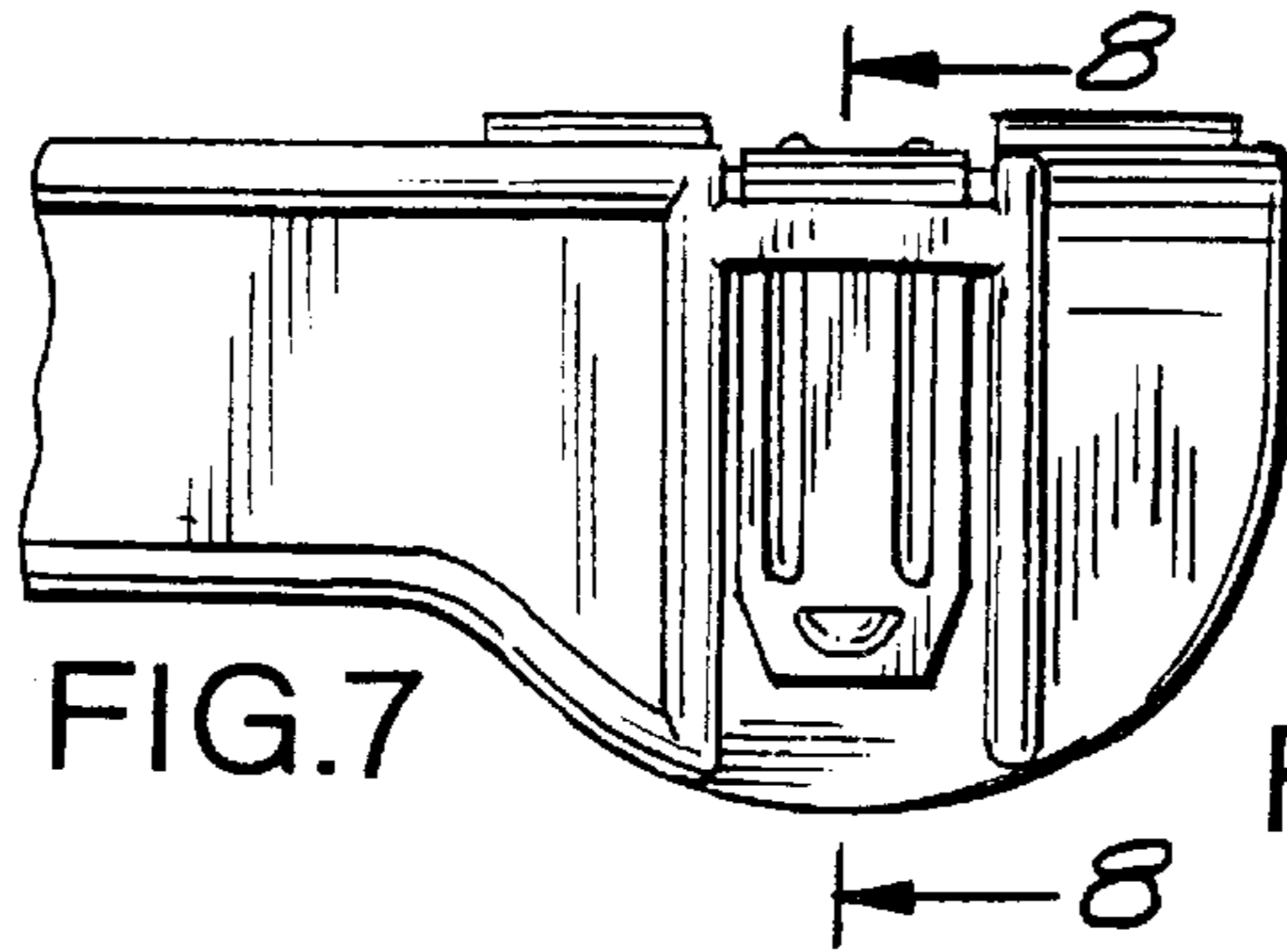


FIG. 7

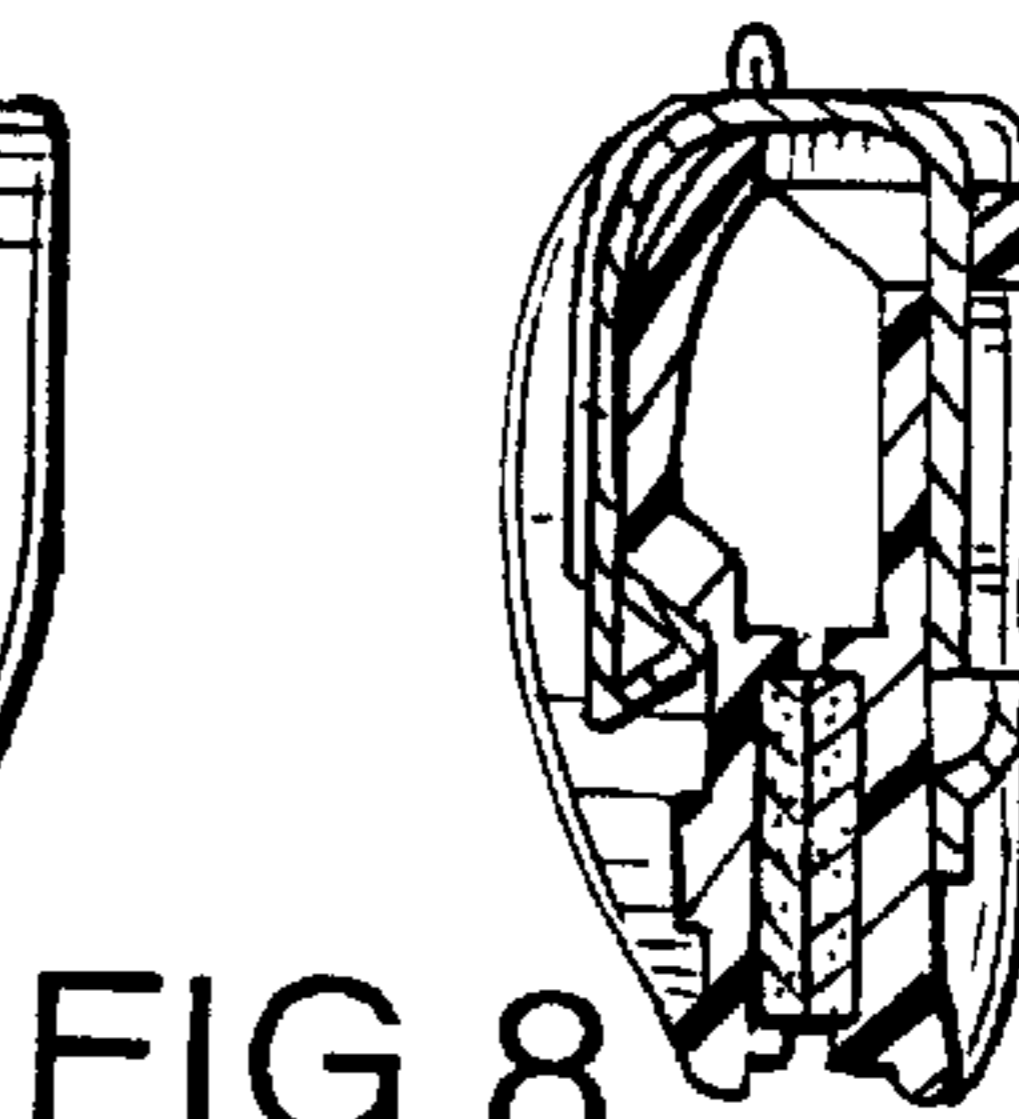


FIG. 8

UNITED STATES PATENT AND TRADEMARK OFFICE  
**CERTIFICATE OF CORRECTION**

PATENT NO. : Des.405,964

Page 1 of 2

DATED : February 23, 1999

INVENTOR(S) : Willinger

It is certified that error appears in the above-identified patent and that said Letters Patent is hereby corrected as shown below:

On the title page, Item [56] insert the following;

U. S. PATENT DOCUMENTS

EXAMINER INITIAL	PATENT NUMBER								ISSUE DATE	PATENTEE	CLASS	SUBCLASS	FILING DATE IF APPROPRIATE
	3	9	4	6	9	1	5	3/30/76	Crane				
	D	2	1	2	4	4	4	10/15/68	H. Coon				
	3	4	5	6	2	6	2	9/15/67	H. Coon				
	D	2	9	6	7	2	9	7/19/88	Blanchard				
	5	0	5	2	6	0	0	10/1/91	Elchisak et al.				
	5	2	6	7	6	7	8	12/7/93	Zuckerman				
	5	1	8	3	1	9	1	2/2/93	Garrison et al.				
	3	2	6	8	1	2	8	6/12/63	E. Hobi				
	4	0	5	4	2	3	4	10/18/77	Thomas				
	5	5	1	6	0	1	4	5/14/96	Garrison				
	2	5	8	3	7	8	4	1/29/52	Maccaferri				

**UNITED STATES PATENT AND TRADEMARK OFFICE  
CERTIFICATE OF CORRECTION**

PATENT NO. : Des.405,964

Page 2 of 2

DATED : February 23, 1999

INVENTOR(S) : Willinger

It is certified that error appears in the above-identified patent and that said Letters Patent is hereby corrected as shown below:

FOREIGN PATENT DOCUMENTS

	DOCUMENT NUMBER	PUBLICATION DATE	COUNTRY OR PATENT OFFICE	CLASS	SUBCLASS	TRANSLATION	
						YES	NO
	WO 90/ 1 3 2 4 8	11/15/90	WIPO				

Signed and Sealed this  
Fourth Day of May, 1999

Attest:



Q. TODD DICKINSON

Attesting Officer

Acting Commissioner of Patents and Trademarks