



US00D405963S

**United States Patent** [19]  
**Arbak**

[11] **Patent Number: Des. 405,963**

[45] **Date of Patent: \*\*Feb. 23, 1999**

[54] **ASYMMETRIC MIRROR**

900,590 10/1908 Raymond ..... 40/780  
1,918,333 7/1933 Rogers ..... 40/606

[76] Inventor: **John Arbak**, 702 Lakeside Ave. South,  
Seattle, Wash. 98144

*Primary Examiner*—Janice E. Seeger  
*Attorney, Agent, or Firm*—Christensen O'Connor Johnson  
Kindness PLLC

[\*\*] Term: **14 Years**

[21] Appl. No.: **81,013**

[57] **CLAIM**

[22] Filed: **Dec. 22, 1997**

The ornamental design for an asymmetric mirror, as shown.

[51] **LOC (6) Cl.** ..... **06-07**

**DESCRIPTION**

[52] **U.S. Cl.** ..... **D6/310; D6/300**

FIG. 1 is a perspective view of an asymmetric mirror,  
showing my new design;  
FIG. 2 is front view thereof;  
FIG. 3 is back view thereof;  
FIG. 4 is left side view thereof;  
FIG. 5 is right side view thereof;  
FIG. 6 is top view thereof; and,  
FIG. 7 is bottom view thereof.

[58] **Field of Search** ..... D6/300–314, 444,  
D6/498; 312/224; 248/469, 474, 473, 472,  
188.7; 40/700, 738, 745, 765, 780, 790,  
791, 798, 794; 359/838, 868, 871

[56] **References Cited**

**U.S. PATENT DOCUMENTS**

D. 65,031 6/1924 Woelfel ..... D6/300  
D. 105,027 6/1937 Moravek ..... D6/300

**1 Claim, 4 Drawing Sheets**

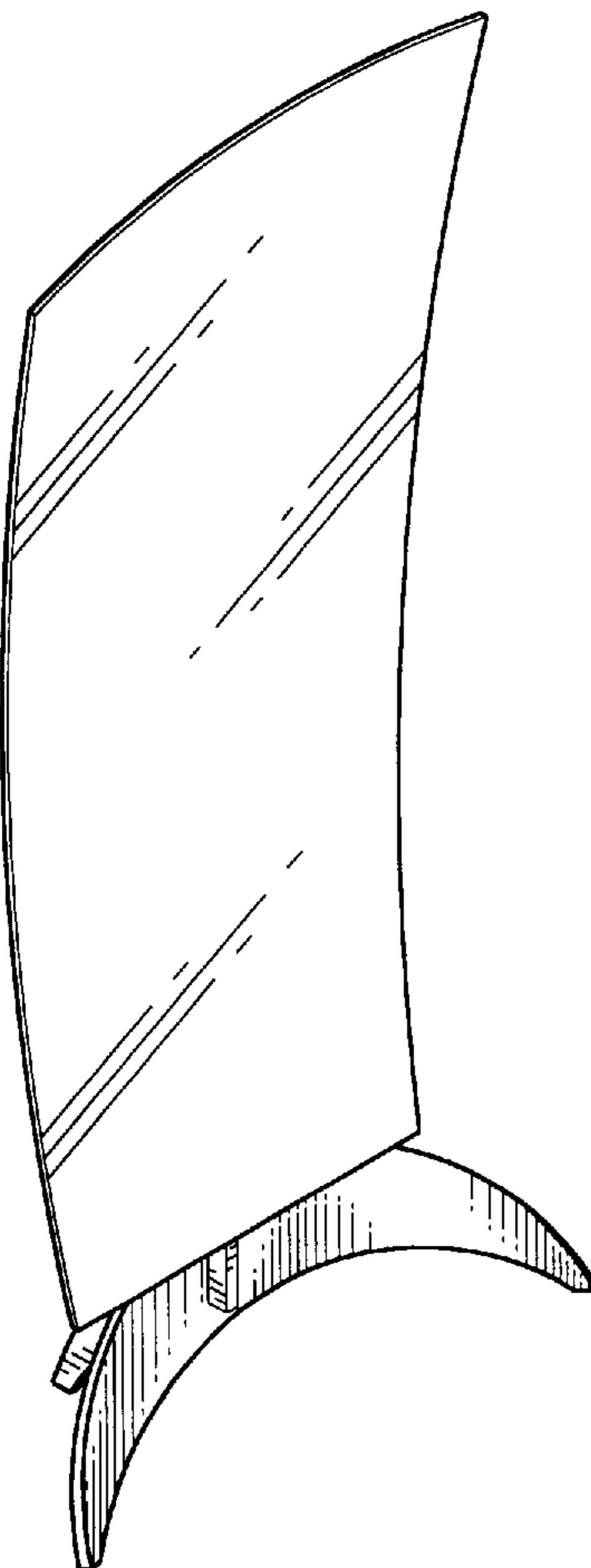


FIG. 1

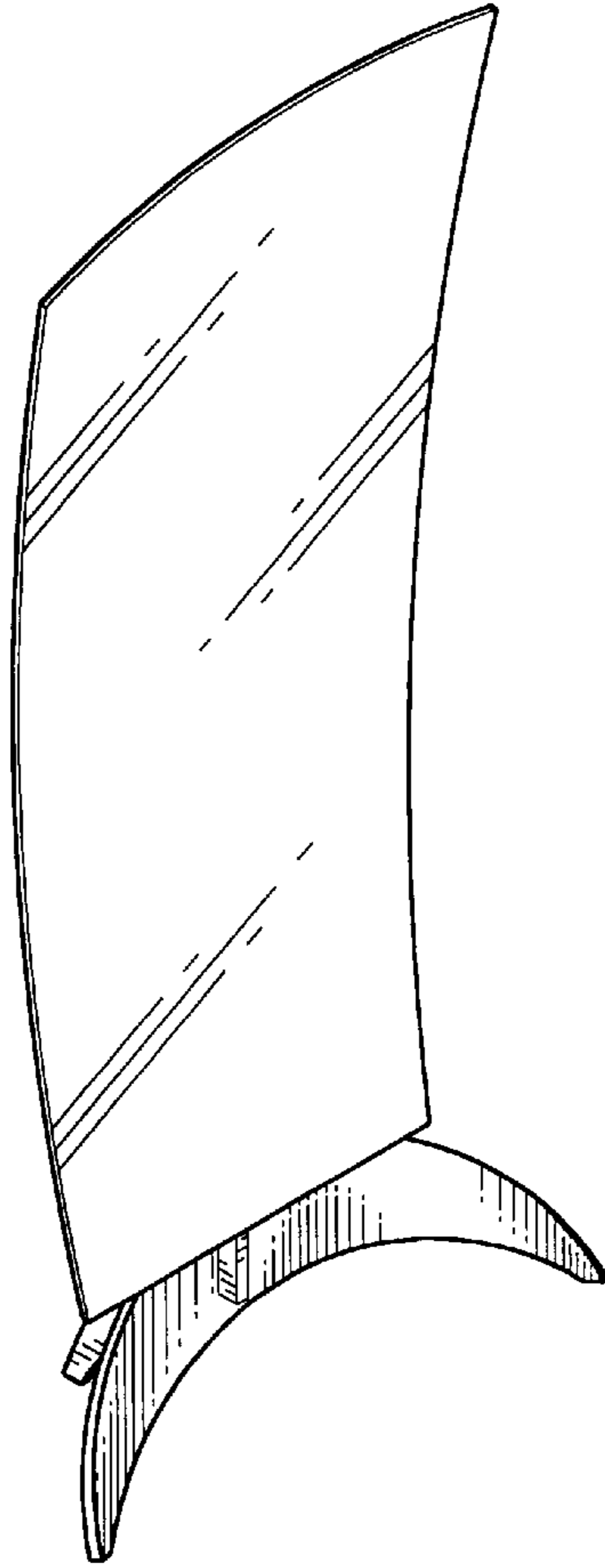


FIG. 6

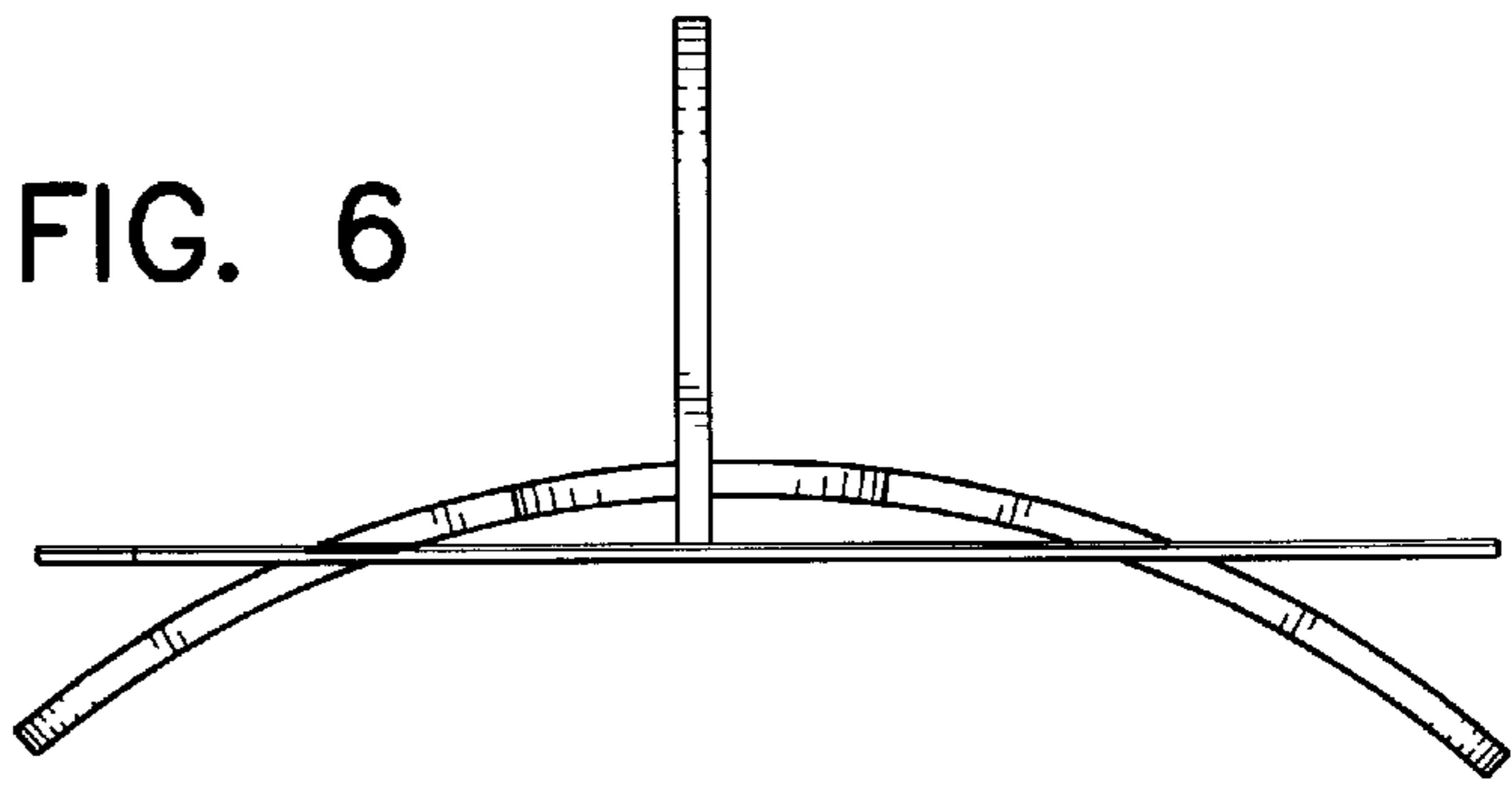


FIG. 7

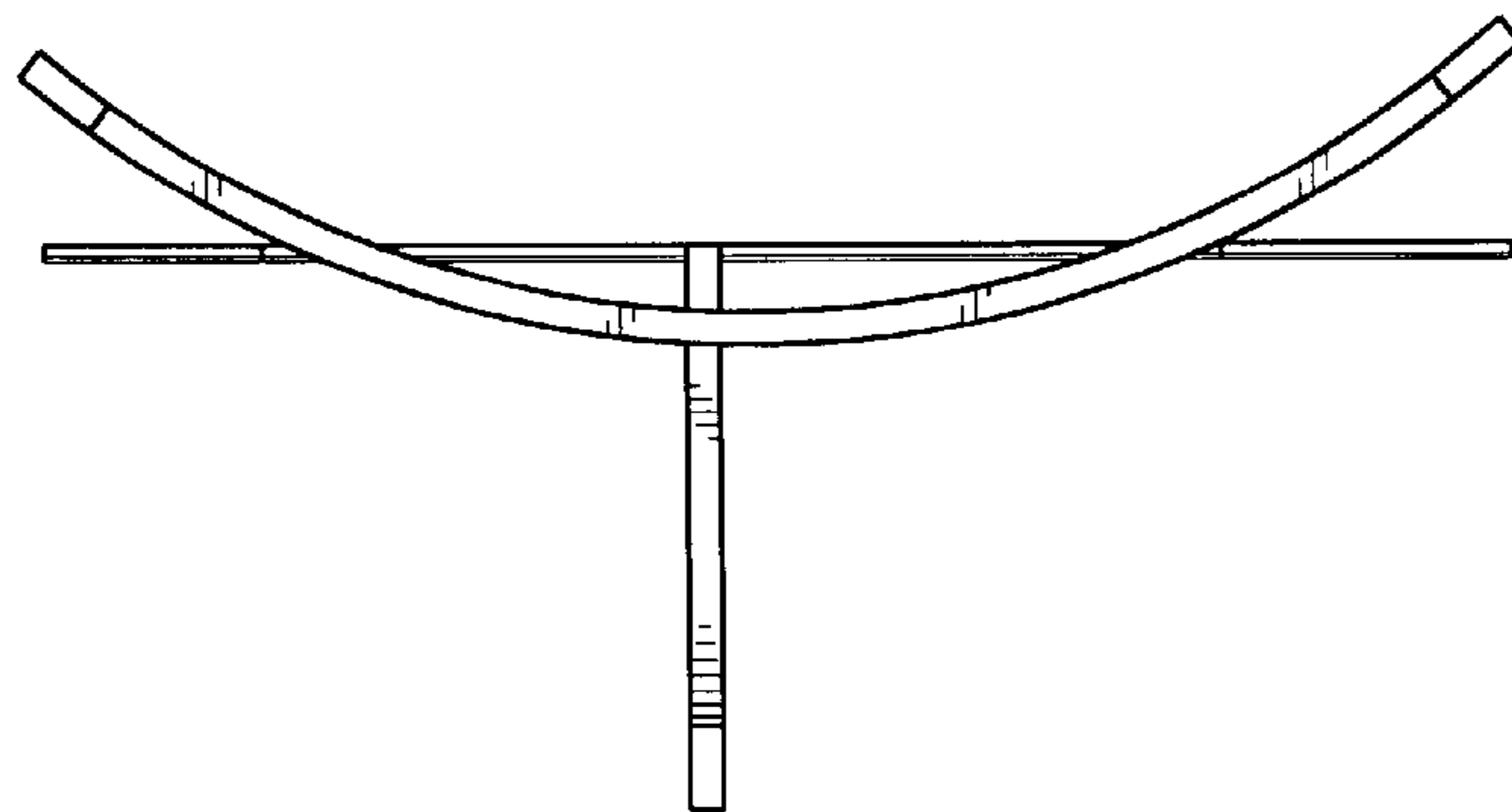


FIG. 2

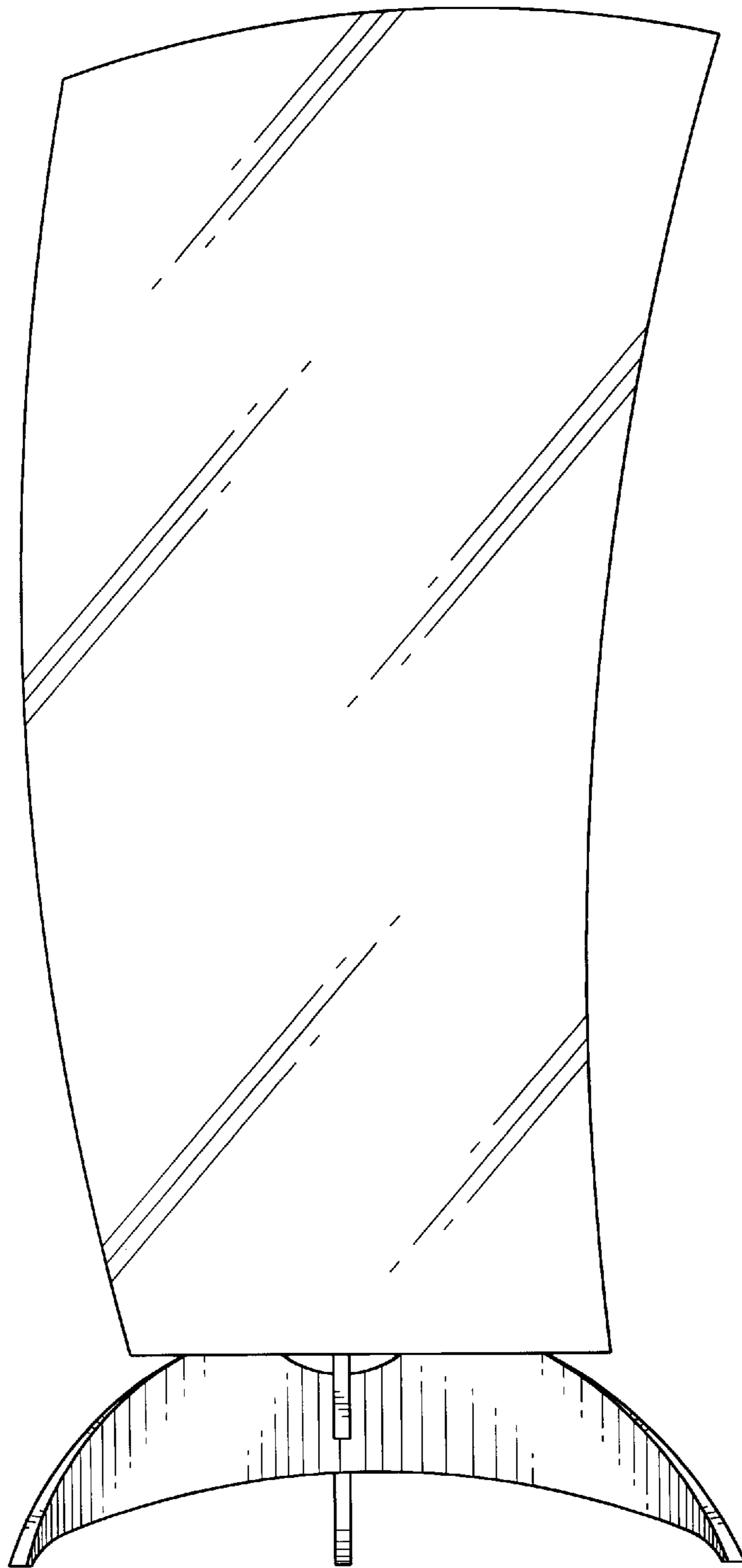


FIG. 3

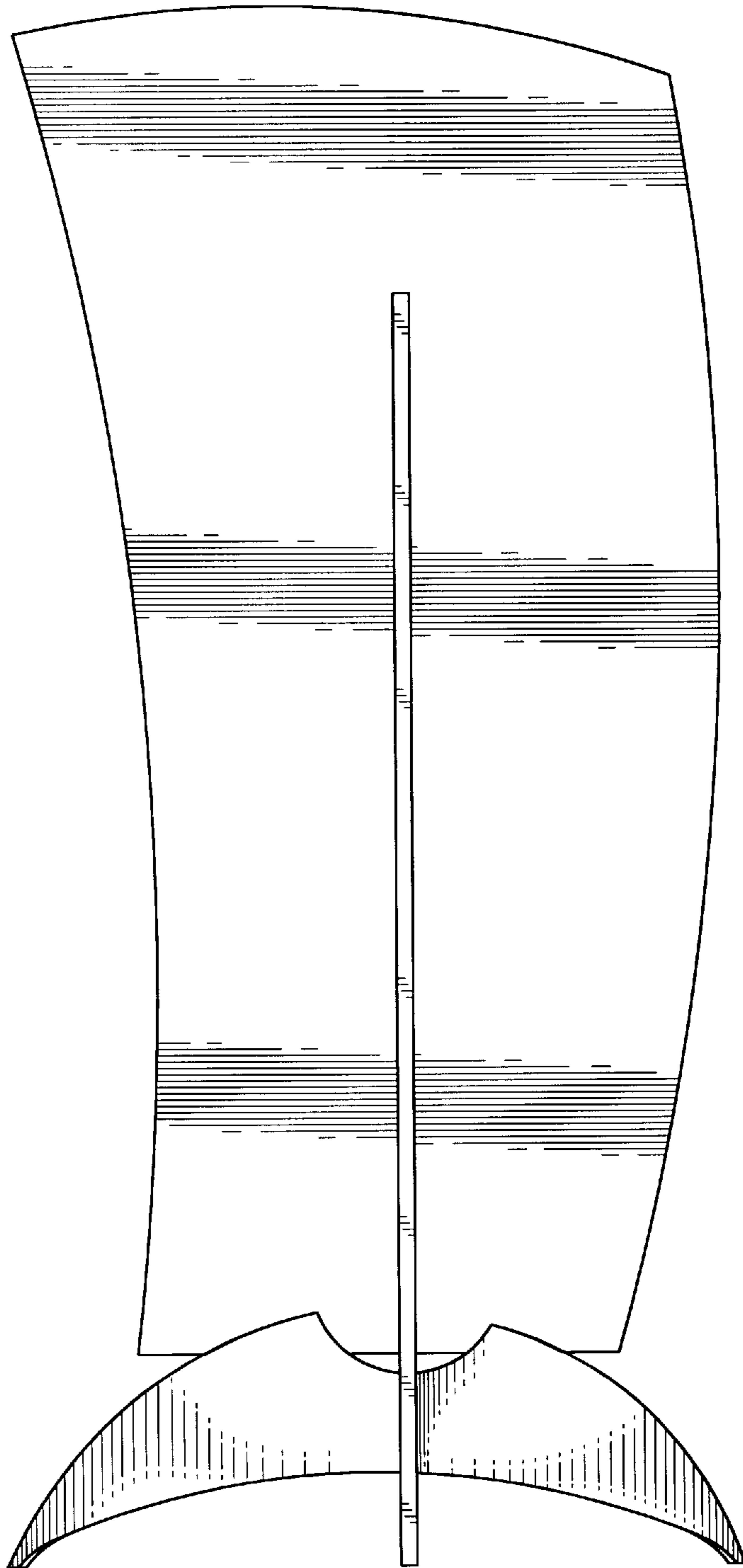


FIG. 4

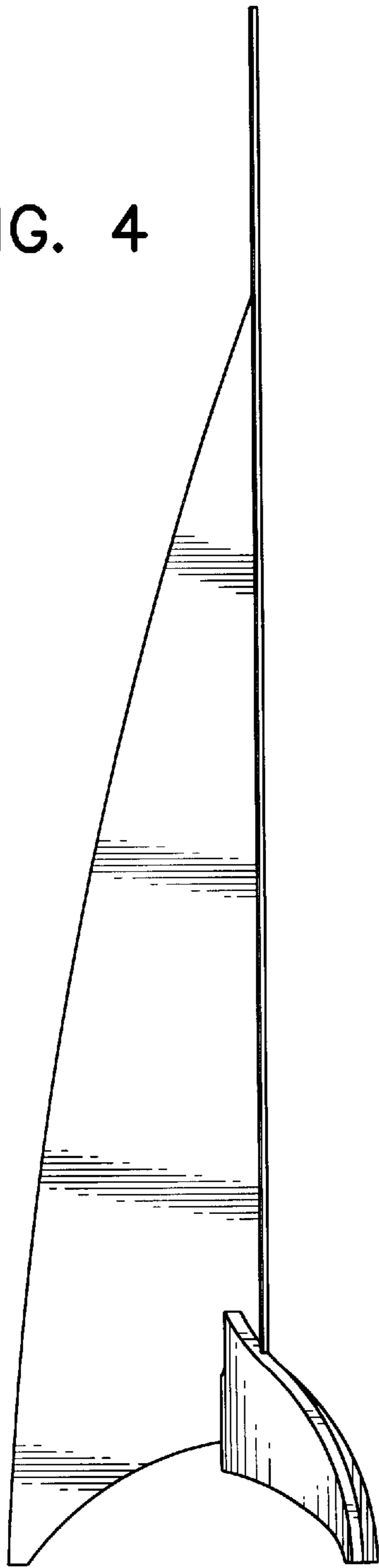


FIG. 5

