



US00D405958S

# United States Patent [19] Mollack

[11] **Patent Number: Des. 405,958**

[45] **Date of Patent: \*\*Feb. 23, 1999**

[54] **VERSATILE PAINT ROLLER FRAME**

3,745,624 7/1973 Newman ..... 492/19  
5,386,611 2/1995 Kim ..... 15/230.11

[76] Inventor: **Jean C. Mollack**, 23 S. Poplar St.,  
Allentown, Pa. 18102

*Primary Examiner*—Alan P. Douglas  
*Assistant Examiner*—Lavone D. Tabor

[\*\*] Term: **14 Years**

[57] **CLAIM**

[21] Appl. No.: **89,981**

The ornamental design for a versatile paint roller frame, as shown.

[22] Filed: **Jun. 26, 1998**

[51] **LOC (6) Cl.** ..... **08-05**

[52] **U.S. Cl.** ..... **D4/122**

[58] **Field of Search** ..... D4/121, 122, 138,  
D4/199; 15/143.1, 230, 230.11; 492/13,  
17, 19

### DESCRIPTION

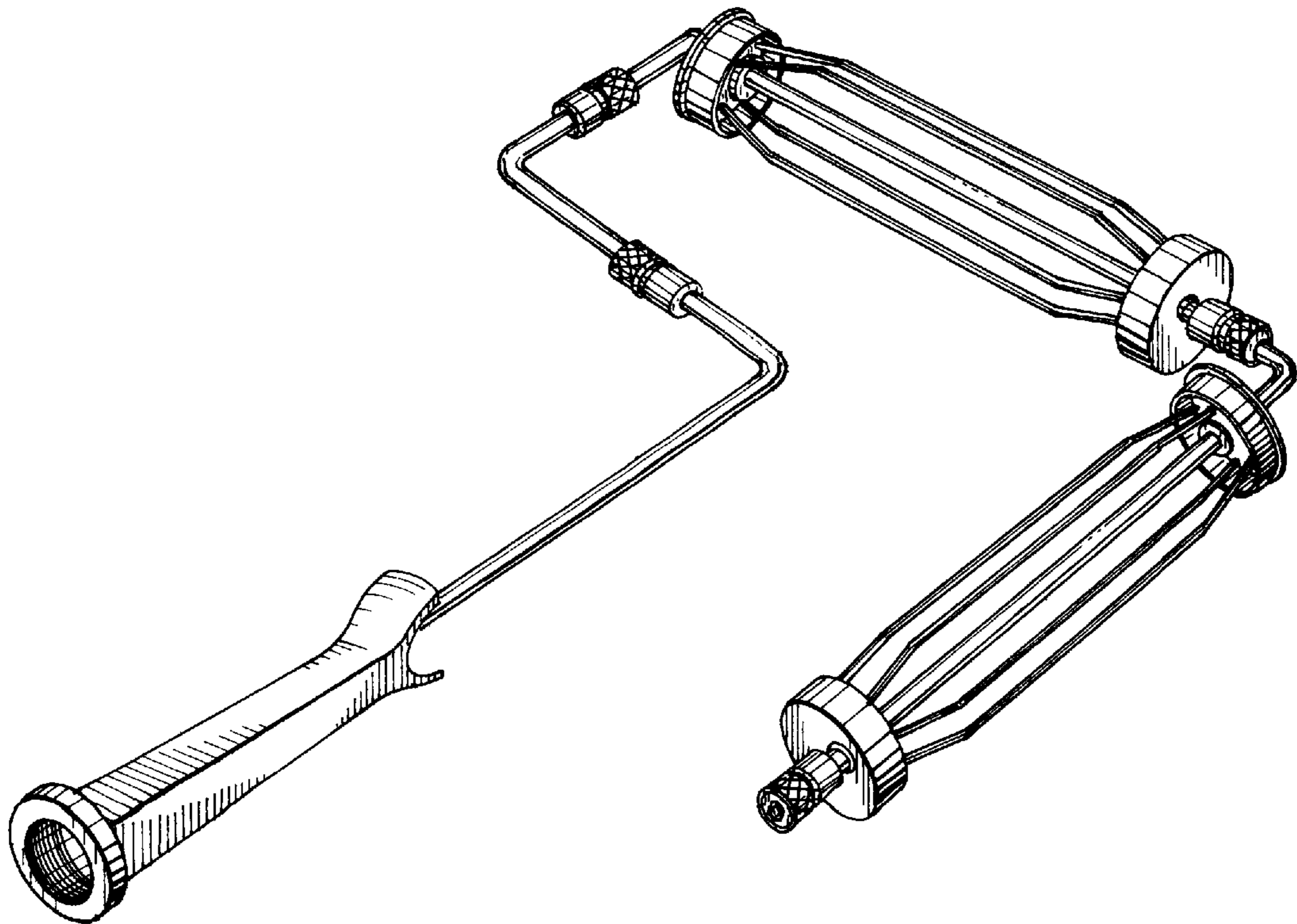
FIG. 1 is an exploded perspective view of a versatile paint roller frame showing my new design;  
FIG. 2 is an assembled perspective view thereof;  
FIG. 3 is a front elevational view of FIG. 2;  
FIG. 4 is a top plan view of FIG. 2;  
FIG. 5 is a left side elevational view of FIG. 2;  
FIG. 6 is a right side elevational view of FIG. 2;  
FIG. 7 is a rear elevational view of FIG. 2; and,  
FIG. 8 is a bottom plan view of FIG. 2.

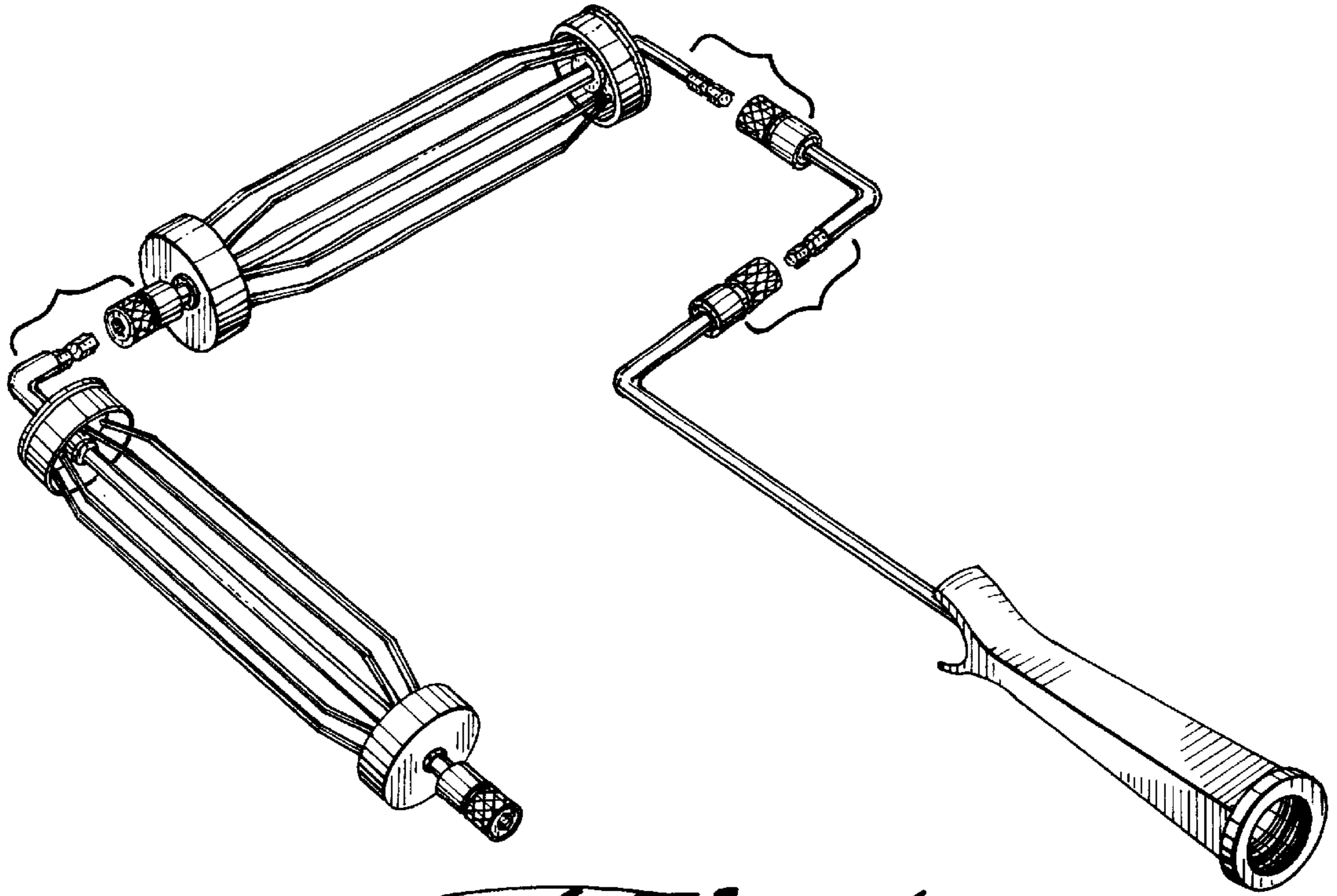
### [56] **References Cited**

#### U.S. PATENT DOCUMENTS

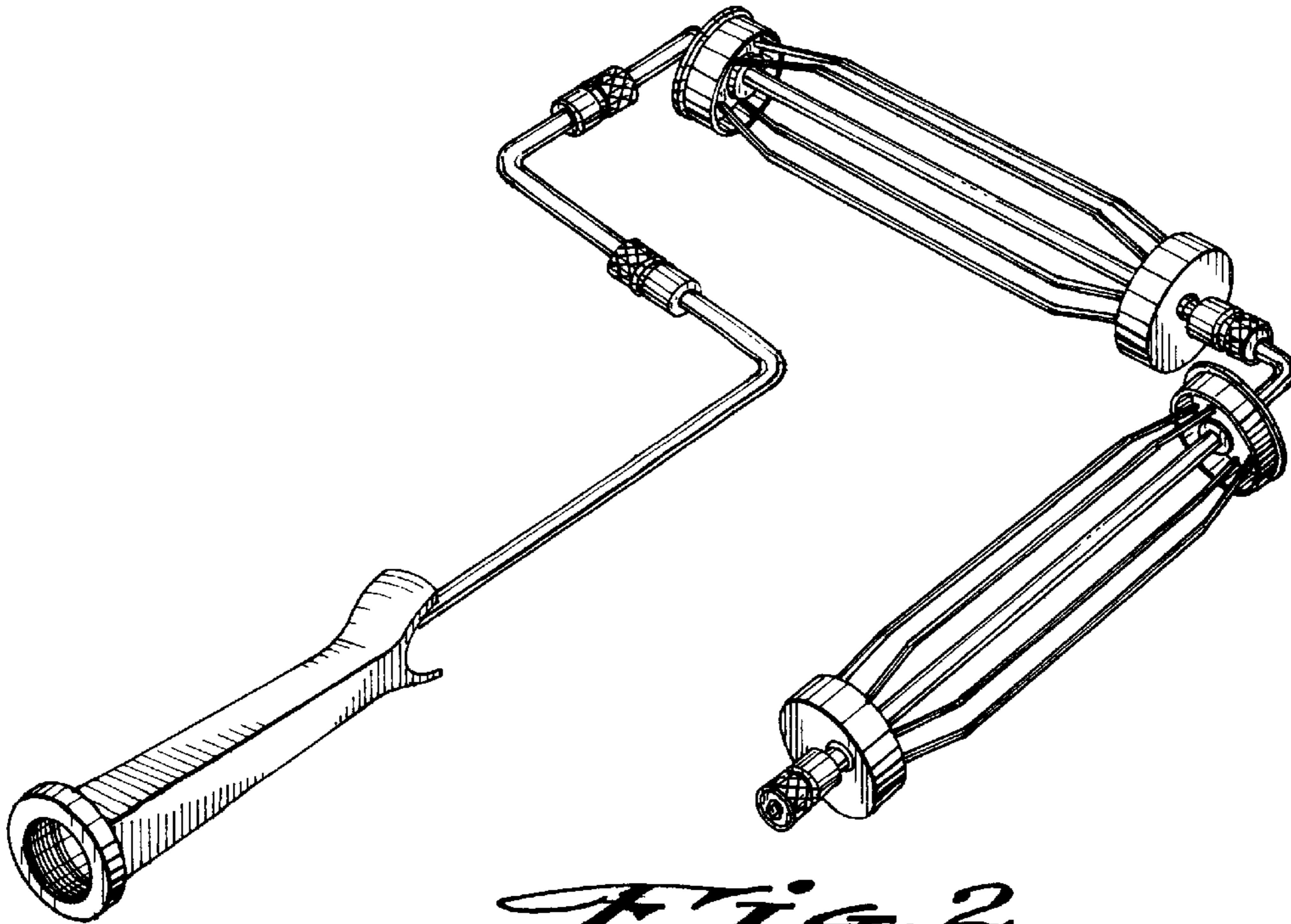
D. 305,080 12/1989 Morgan et al. .... D4/122  
D. 334,476 4/1993 Niemackl ..... D4/138  
2,824,328 2/1958 Bedford ..... 15/230.11  
3,562,837 2/1971 Baginski et al. .... 15/230.11

**1 Claim, 3 Drawing Sheets**

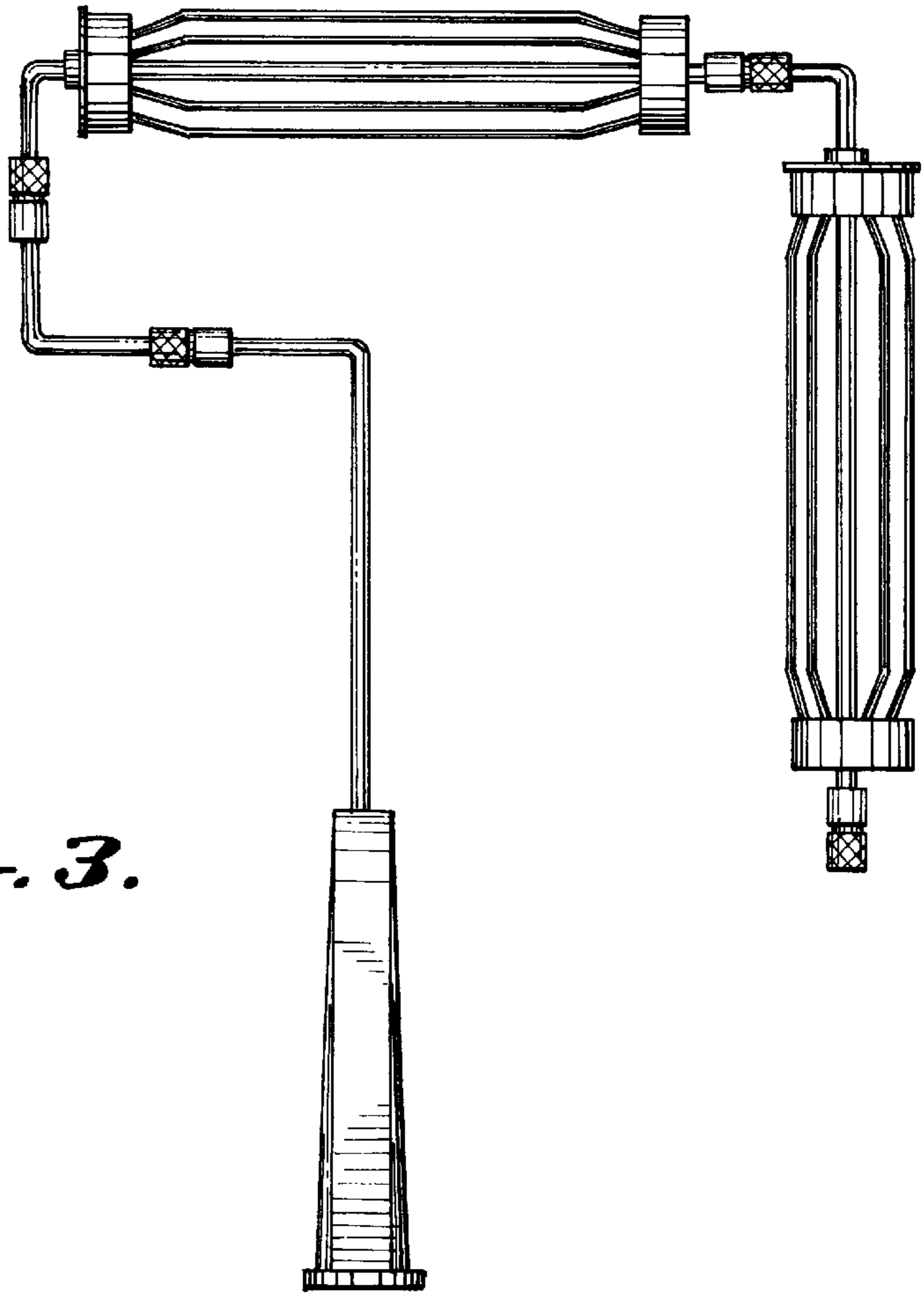




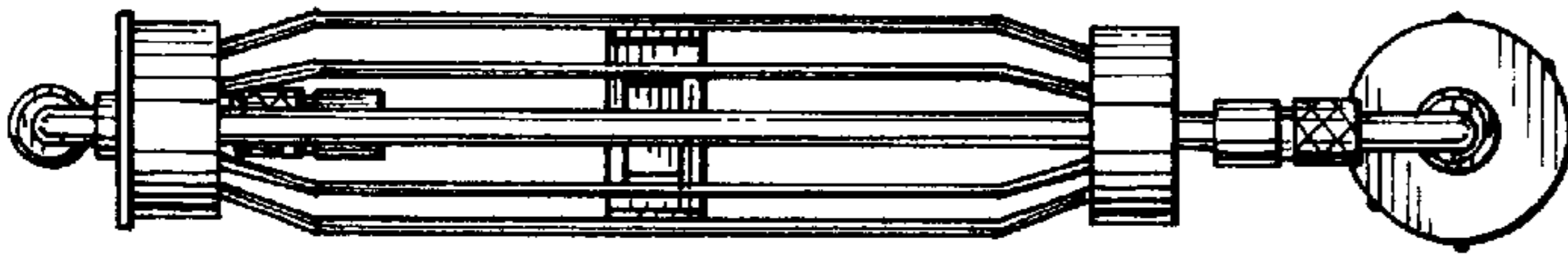
*Fig. 1.*



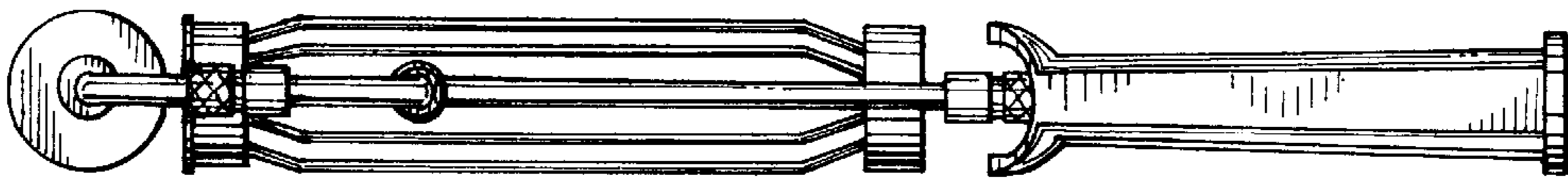
*Fig. 2.*



*Fig. 3.*

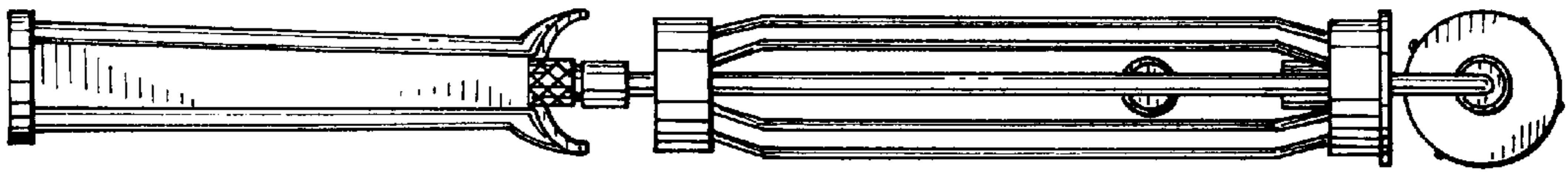


*Fig. 4.*

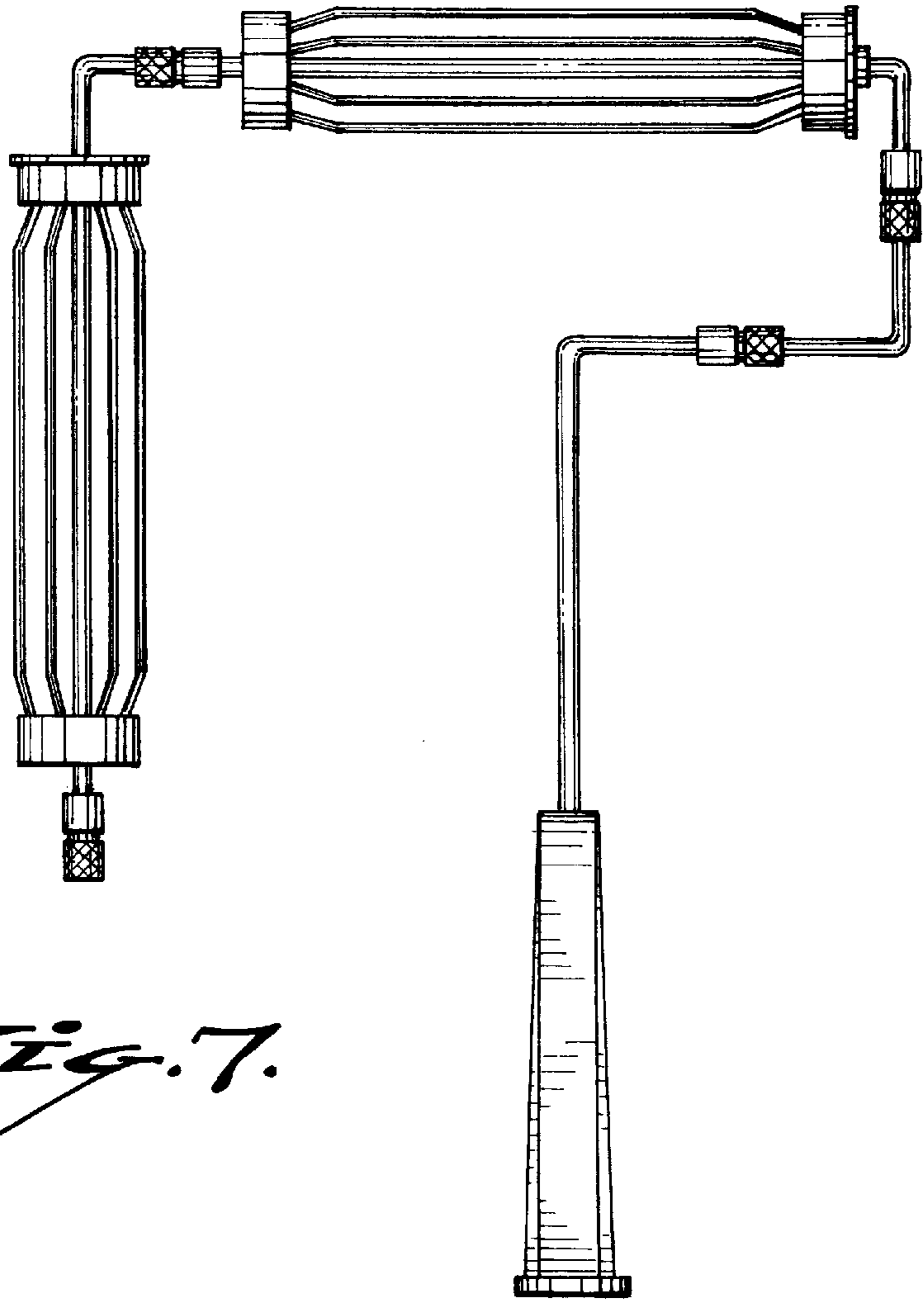


*Fig. 5.*

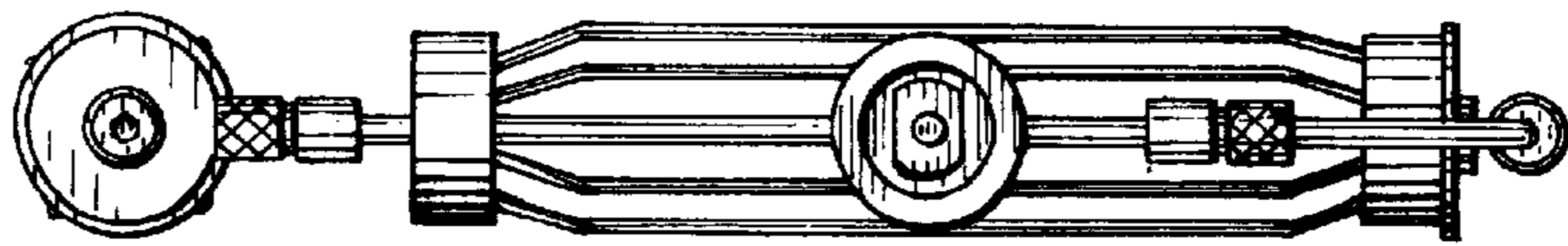




*Fig. 6.*



*Fig. 7.*



*Fig. 8.*