



US00D405957S

# United States Patent [19] Test

[11] Patent Number: **Des. 405,957**

[45] Date of Patent: **\*\*Feb. 23, 1999**

[54] **PORTABLE DRIVE CARRYING CASE**

[76] Inventor: **John W. Test**, 325M Sharon Park Dr.  
No. 724, Menlo Park, Calif. 94025

[\*\*] Term: **14 Years**

[21] Appl. No.: **71,246**

[22] Filed: **May 23, 1997**

[51] **LOC (6) Cl.** ..... **03-01**

[52] **U.S. Cl.** ..... **D3/289**

[58] **Field of Search** ..... D3/276, 283, 287,  
D3/274, 289, 285, 286; 190/104, 110, 111,  
112, 113, 114, 115; 206/320

[56] **References Cited**

**U.S. PATENT DOCUMENTS**

|            |        |               |       |        |
|------------|--------|---------------|-------|--------|
| D. 231,869 | 6/1974 | Ohyama        | ..... | D3/283 |
| D. 269,479 | 6/1983 | Pelavin       | ..... | D3/283 |
| D. 280,266 | 8/1985 | Allen         | ..... | D3/274 |
| D. 358,483 | 5/1995 | Coss et al.   | ..... | D3/276 |
| D. 379,267 | 5/1997 | Roegner       | ..... | D3/289 |
| D. 380,612 | 7/1997 | Kelley et al. | ..... | D3/276 |

|           |         |               |       |         |
|-----------|---------|---------------|-------|---------|
| 4,852,293 | 8/1989  | Levine et al. | ..... | 190/110 |
| 5,010,988 | 4/1991  | Brown         | ..... | 190/111 |
| 5,052,555 | 10/1991 | Harmon        | ..... | 190/111 |
| 5,509,515 | 4/1996  | Guo           | ..... | 190/110 |

*Primary Examiner*—Philip S. Hyder  
*Attorney, Agent, or Firm*—Flehr Hohbach Test Albritton & Herbert LLP

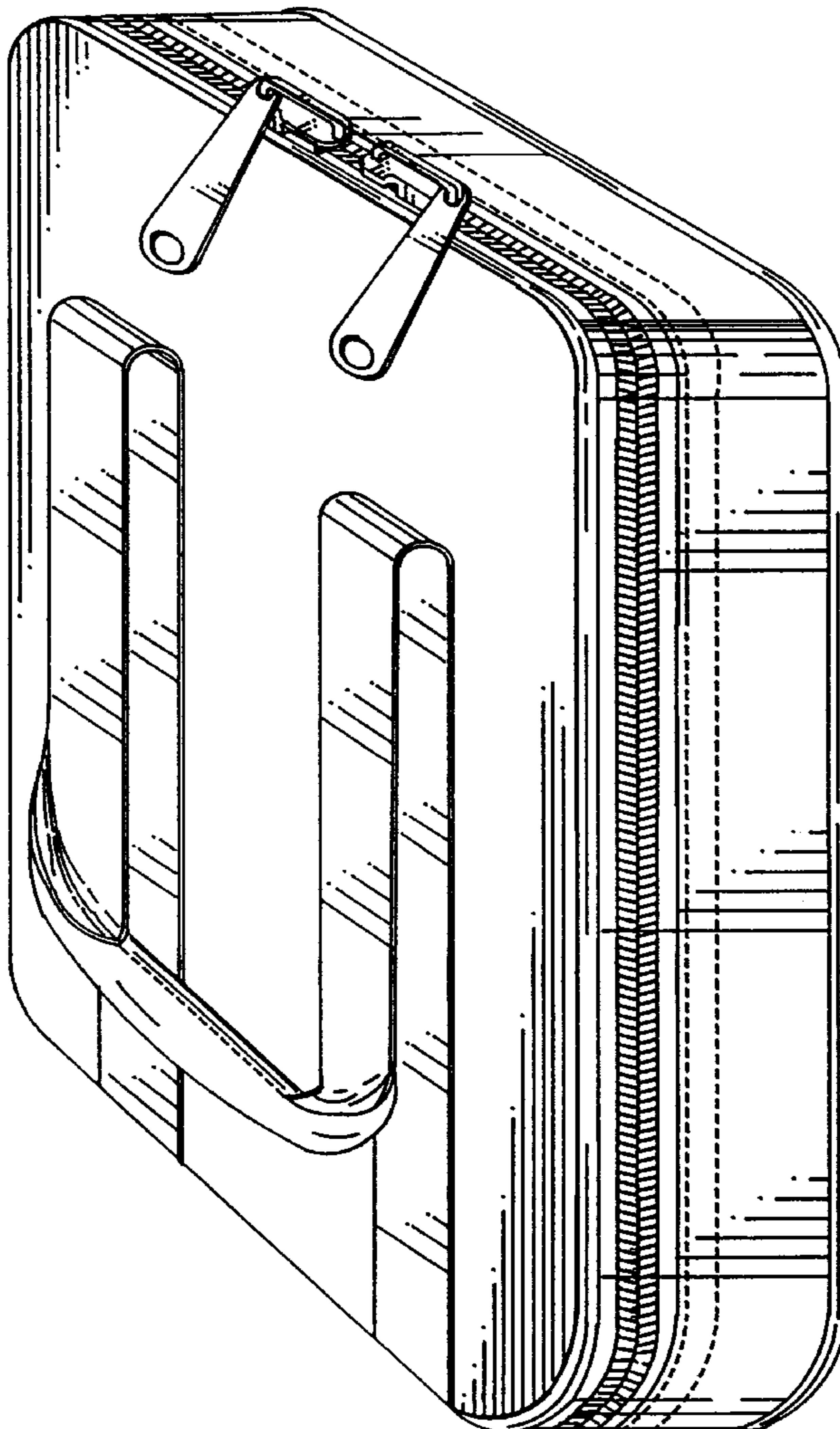
[57] **CLAIM**

The ornamental design for a portable drive carrying case, as shown and described.

**DESCRIPTION**

FIG. 1 is a perspective view of the portable drive carrying case showing my new design;  
FIG. 2 is a top plan view thereof;  
FIG. 3 is a bottom plan view thereof;  
FIG. 4 is a left side elevational view thereof;  
FIG. 5 is a right side elevational view thereof;  
FIG. 6 is a front elevational view thereof; and,  
FIG. 7 is a rear elevational view thereof.

**1 Claim, 7 Drawing Sheets**



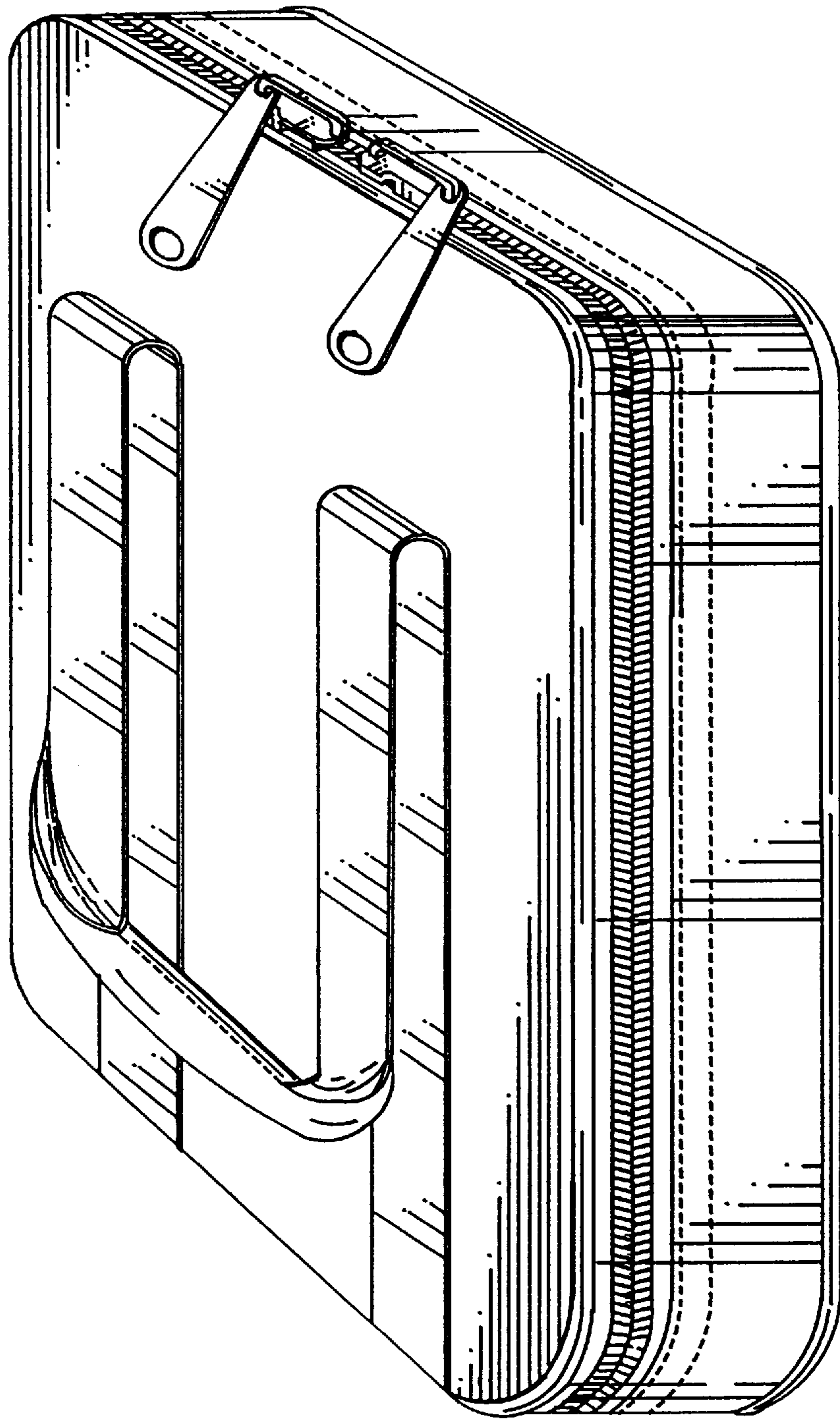


FIG. - 1

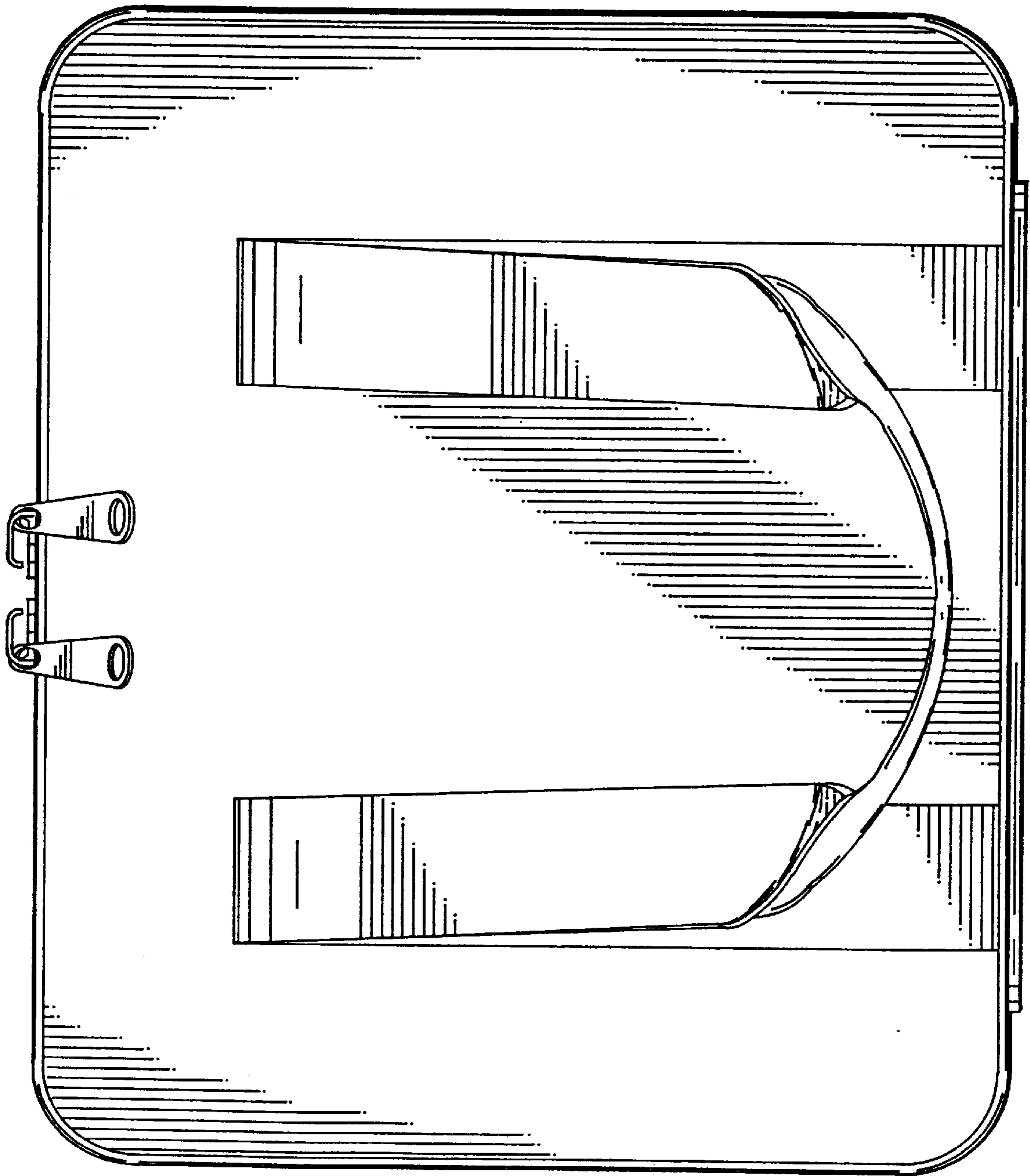


FIG. - 2

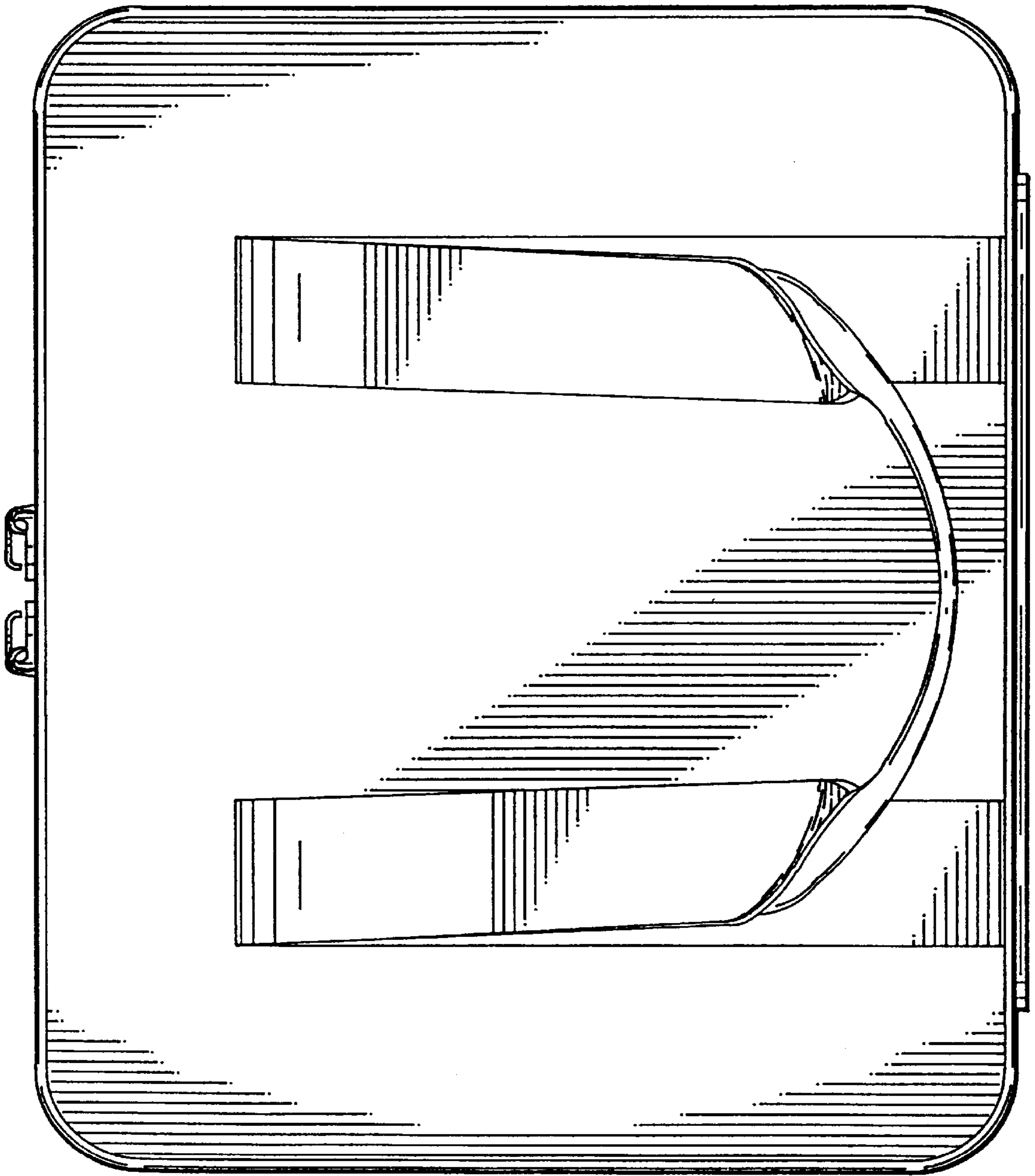


FIG. -3

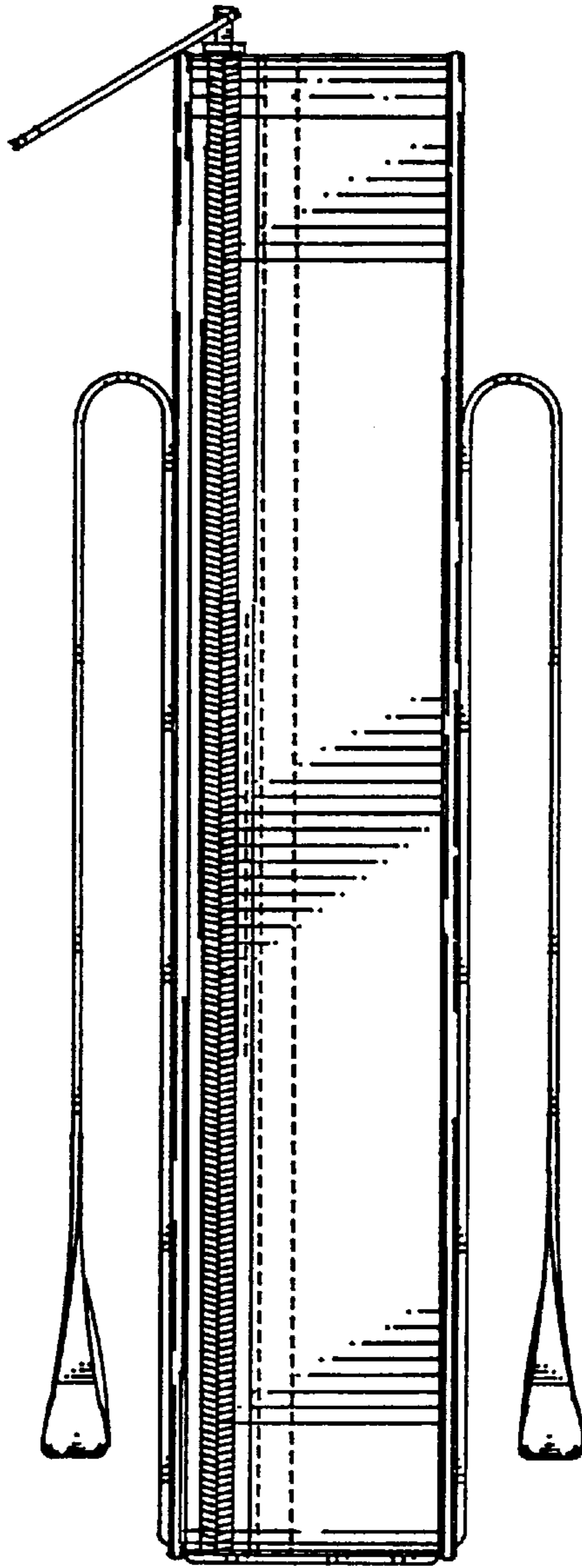


FIG. - 4

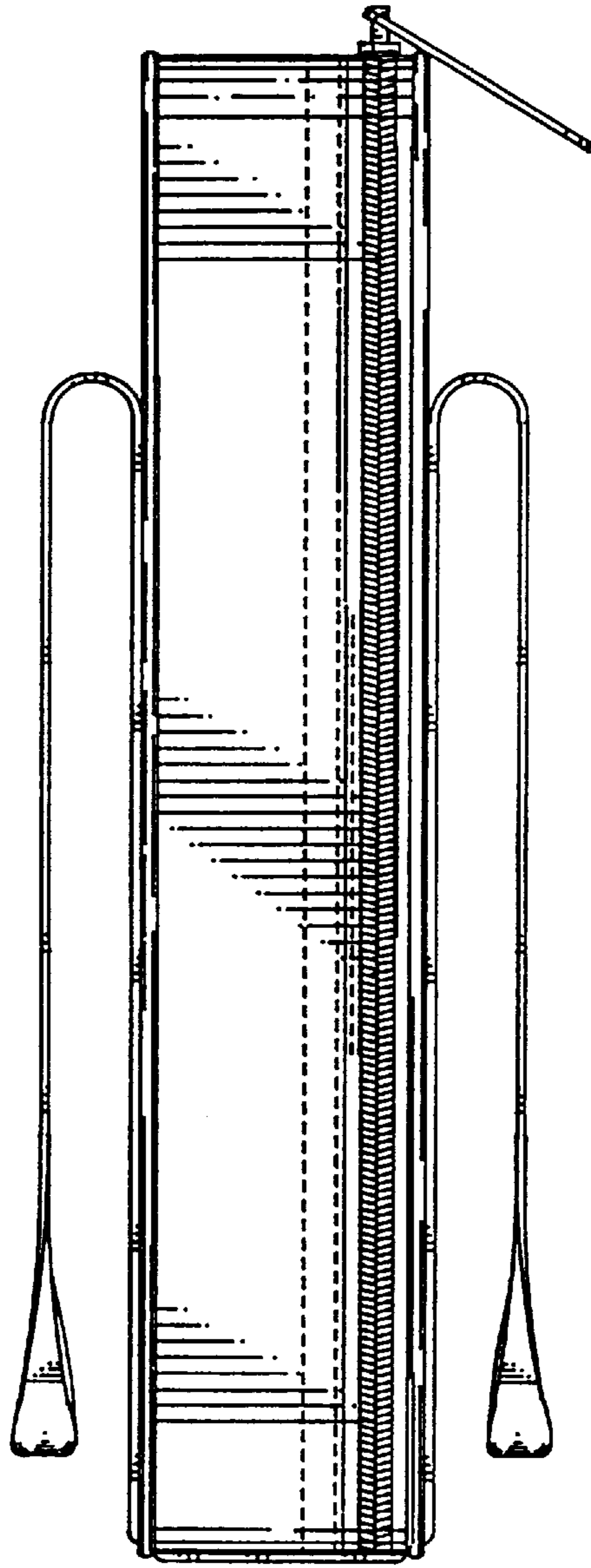


FIG. - 5

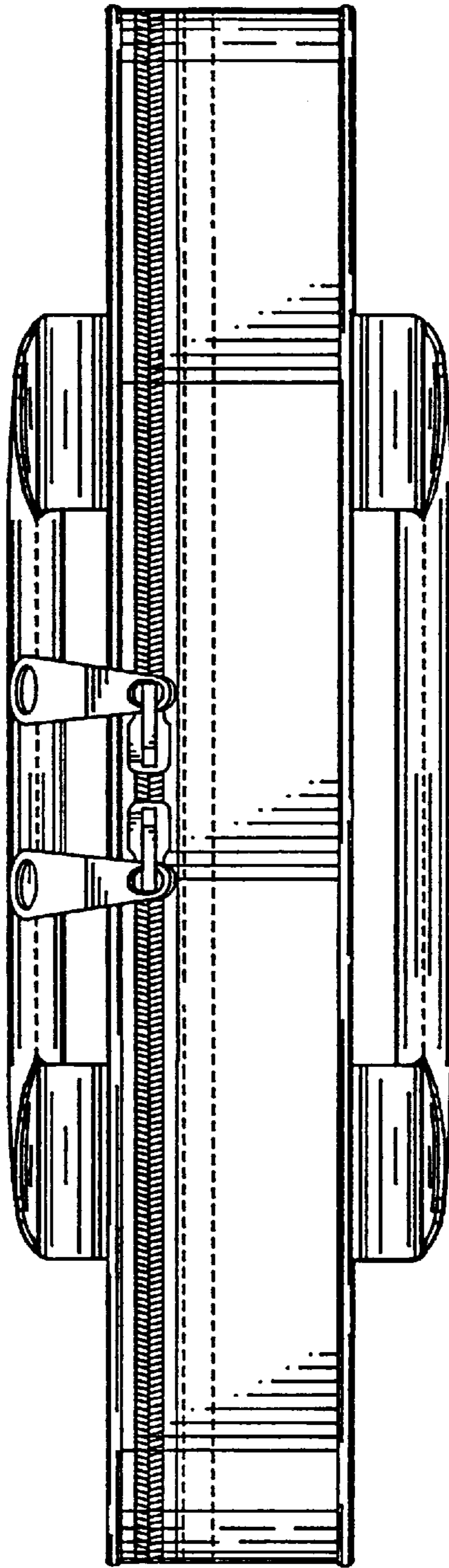


FIG. - 6

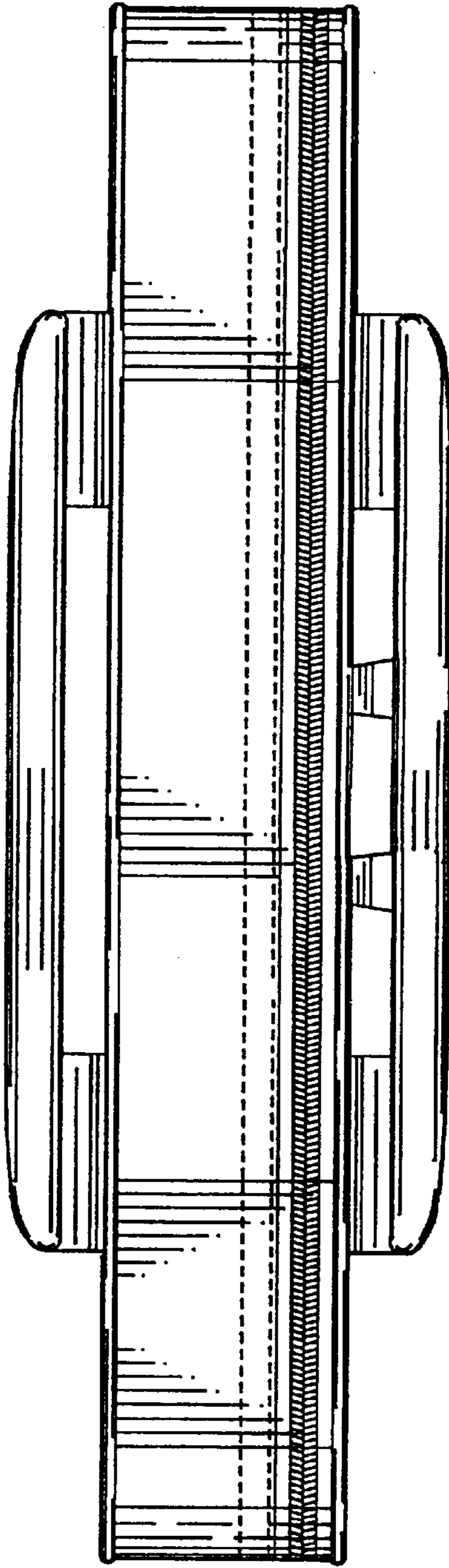


FIG. - 7