



US00D405956S

# United States Patent [19]

[11] Patent Number: Des. 405,956

Meisner et al.

[45] Date of Patent: \*\*Feb. 23, 1999

[54] **UTILITY BOX INCORPORATING AN INTEGRAL CLAMPING VISE**

[75] Inventors: **Edward H. Meisner**, Short Hills, N.J.; **Keith Kristiansen**, Stratford, Conn.; **Michael Ballone**, New Providence, N.J.; **Roberta Scheiner Hall**, Sparks; **Michael A. Loferski**, Monkton, both of Md.; **Michael D. Dolson**, Millbrook, Canada; **Christopher Bennett**, Whitby, Canada; **John B. Mason, Sr.**; **Frank Basten**, both of Brockville, Canada; **Colin Overy**, North Augusta, Canada

[73] Assignee: **Black & Decker Inc.**, Newark, Del.

[\*] Notice: The term of this patent shall not extend beyond the expiration date of Pat. No. Des. 375,834.

[\*\*] Term: **14 Years**

[21] Appl. No.: **41,333**

[22] Filed: **Jul. 12, 1995**

### Related U.S. Application Data

[63] Continuation-in-part of Ser. No. 27,093, Aug. 12, 1994, abandoned.

[51] **LOC (6) Cl.** ..... **03-01**

[52] **U.S. Cl.** ..... **D3/274; D8/71**

[58] **Field of Search** ..... D3/273-6, 905, D3/281; D6/336, 349-50, 400; D8/70.1, 71; D9/424; D15/140-1; D25/62, 65; D32/53; 190/1, 16; 206/372-3, 499, 506, 514, DIG. 33, 216; 220/324; 297/183, 188; 269/107, 139, 236, 244

### [56] References Cited

#### U.S. PATENT DOCUMENTS

- D. 140,494 3/1945 Aaronson et al. .... D15/141
- D. 250,079 10/1978 Hickman et al. .... D6/400
- D. 253,212 10/1979 Maruscak et al. .... D6/400
- D. 256,641 9/1980 Wilson ..... D6/400
- D. 263,368 3/1982 Wagster et al. .... D8/74

- D. 263,533 3/1982 Ferdinand et al. .
- D. 276,861 12/1984 Keddie ..... D6/336
- D. 314,472 2/1991 Brantingham et al. .... D6/336
- D. 337,898 8/1993 Chen ..... D6/400
- D. 347,527 6/1994 Breen et al. .... D6/336
- D. 348,003 6/1994 Berger ..... D8/71
- D. 354,210 1/1995 Dickinson et al. .... D8/71
- D. 355,828 2/1995 Dickinson et al. .... D8/71
- 564,782 7/1896 Doelger .
- 2,094,805 10/1937 Meier .
- 2,122,969 7/1938 Whitcomb .
- 2,759,507 8/1956 Davis et al. .
- 2,786,500 3/1957 Unterfranz .
- 4,216,949 8/1980 Hickman ..... 269/244
- 4,278,243 7/1981 Alessio ..... 269/139
- 4,330,113 5/1982 Ferdinand et al. .... 269/244
- 4,378,828 4/1983 Shiminski .
- 4,555,099 11/1985 Hilton ..... 269/244

### FOREIGN PATENT DOCUMENTS

427500 4/1926 Germany .

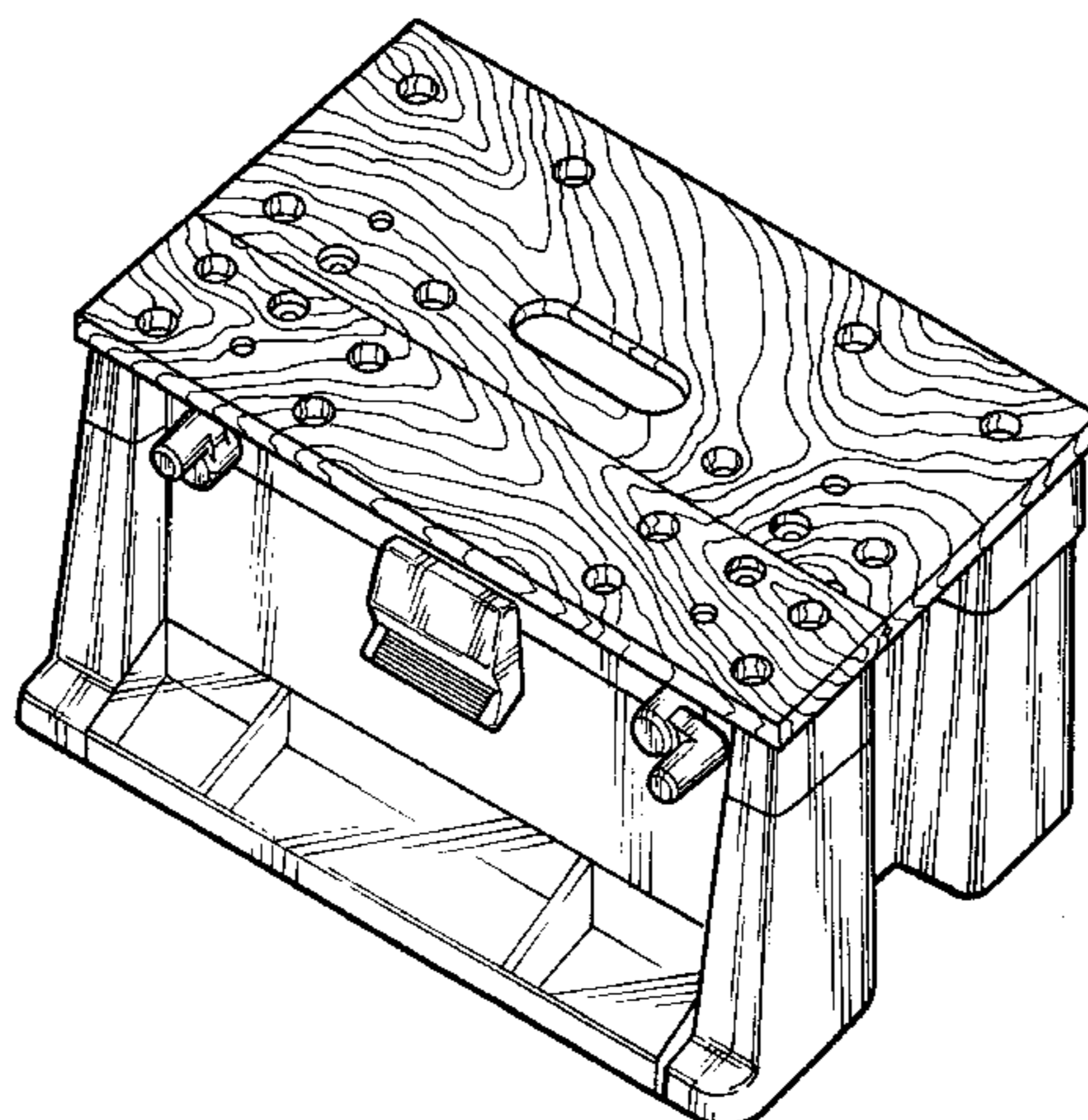
*Primary Examiner*—Robert M. Spear  
*Attorney, Agent, or Firm*—Harness, Dickey & Pierce, P.L.C.

### [57] CLAIM

The ornamental design for a utility box incorporating an integral clamping vise, as shown and described.

### DESCRIPTION

FIG. 1 is a perspective view of a utility box incorporating an integral clamping vise, showing our new design;  
 FIG. 2 is a front elevational view of the utility box shown in FIG. 1;  
 FIG. 3 is a right side elevational view of the utility box shown in FIG. 1;  
 FIG. 4 is a left side elevational view of the utility box shown in FIG. 1;  
 FIG. 5 is a rear elevational view of the utility box shown in FIG. 1;  
 FIG. 6 is a top plan view of the utility box shown in FIG. 1;  
 FIG. 7 is a bottom plan view of the utility box shown in FIG. 1; and,  
 FIG. 8 is a perspective view of the design for a utility box incorporating an integral clamping vise according to another embodiment of the present invention differing only in the composition of the clamping jaws of the integral vise and that the exteriorly located tray has an opaque cover.



**1 Claim, 4 Drawing Sheets**

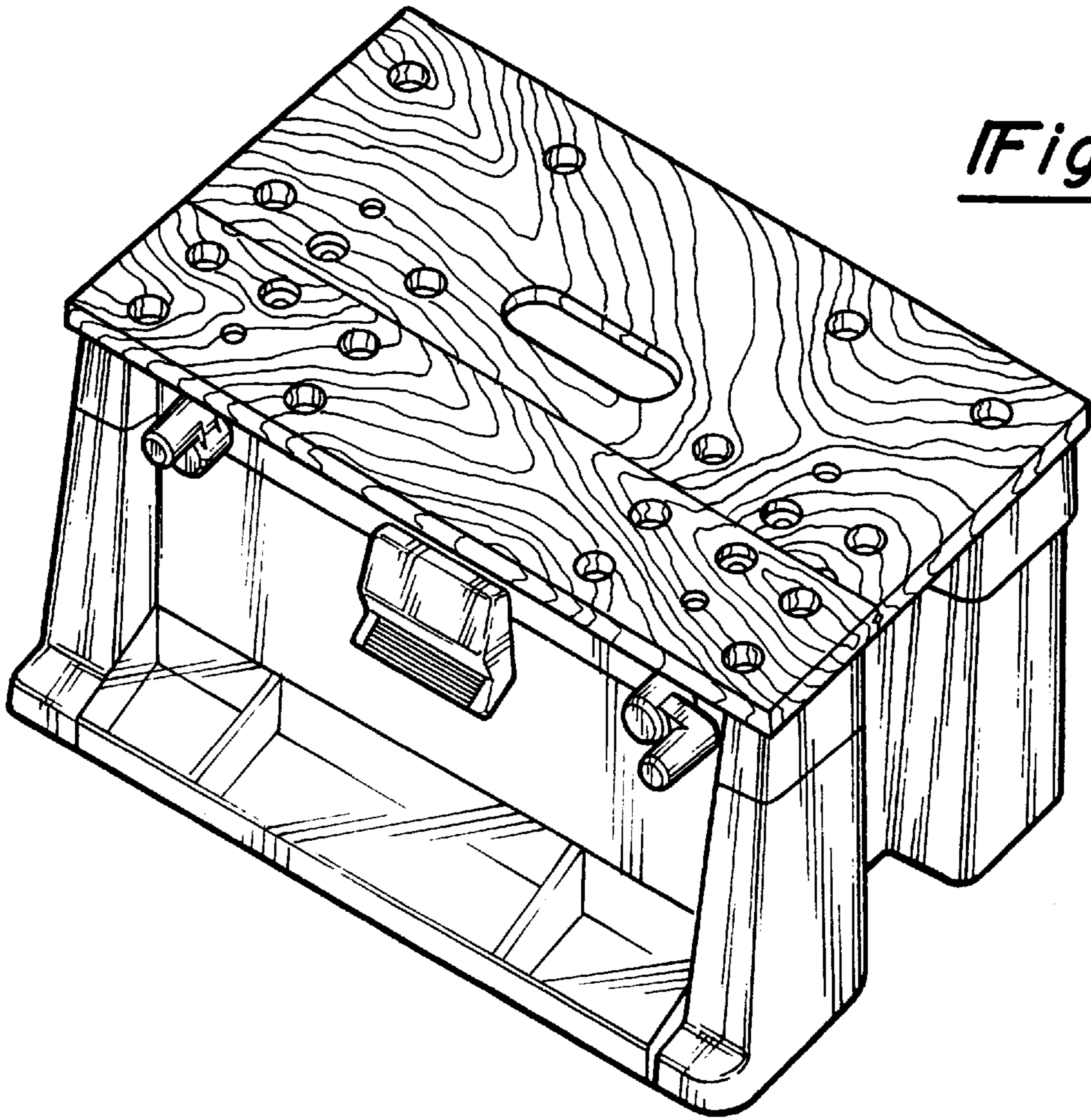
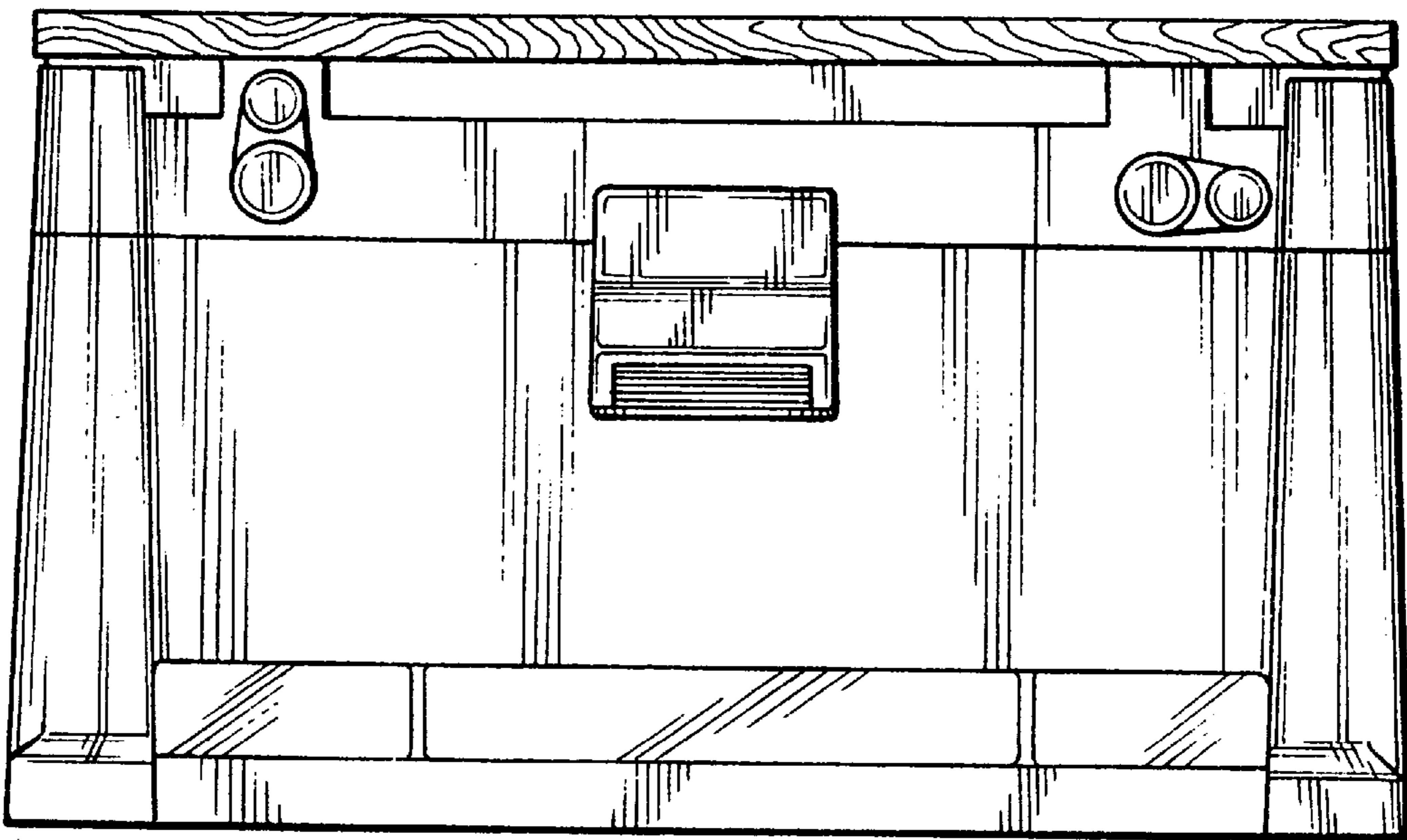


Fig-1

Fig-2



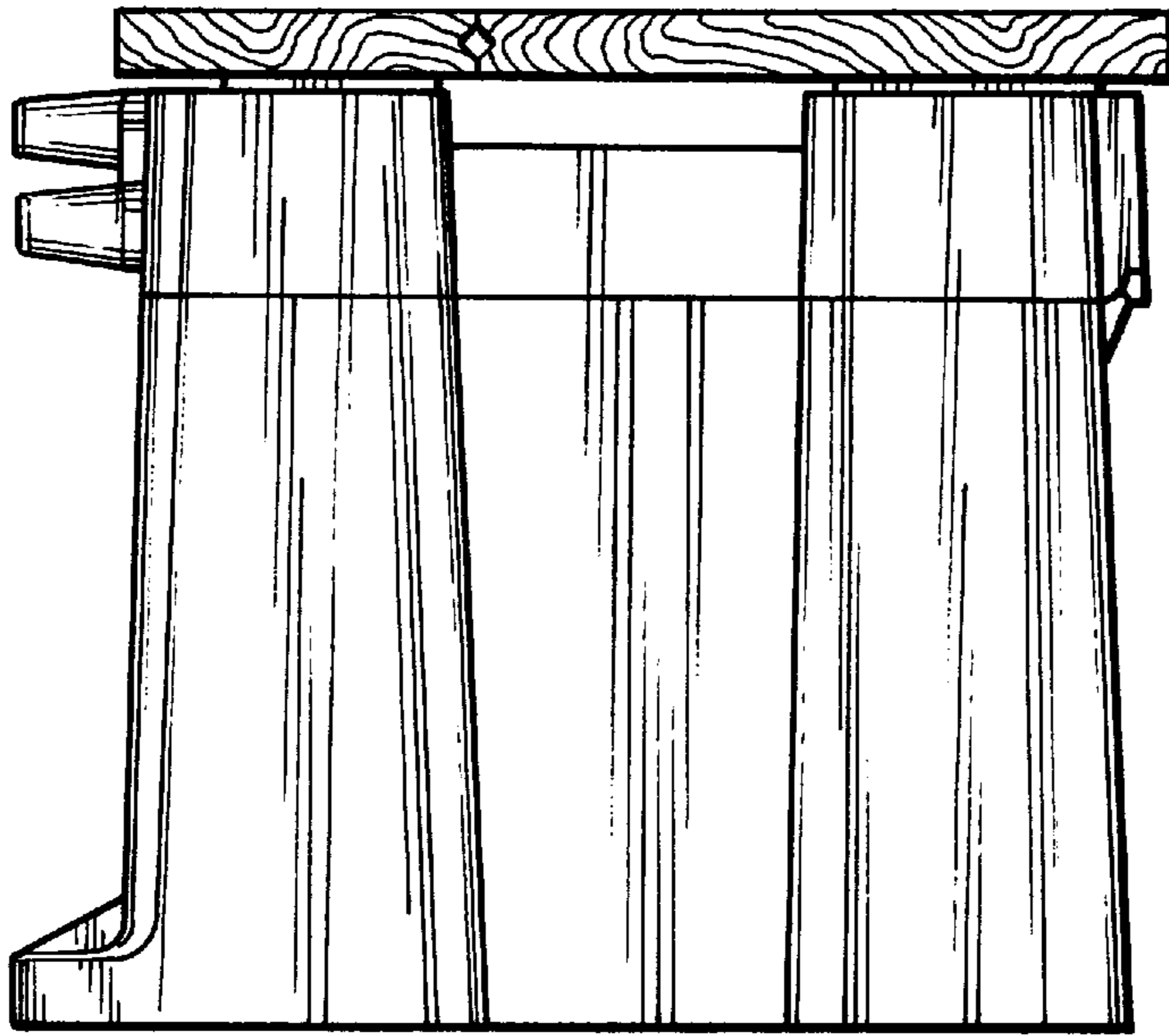


Fig - 3

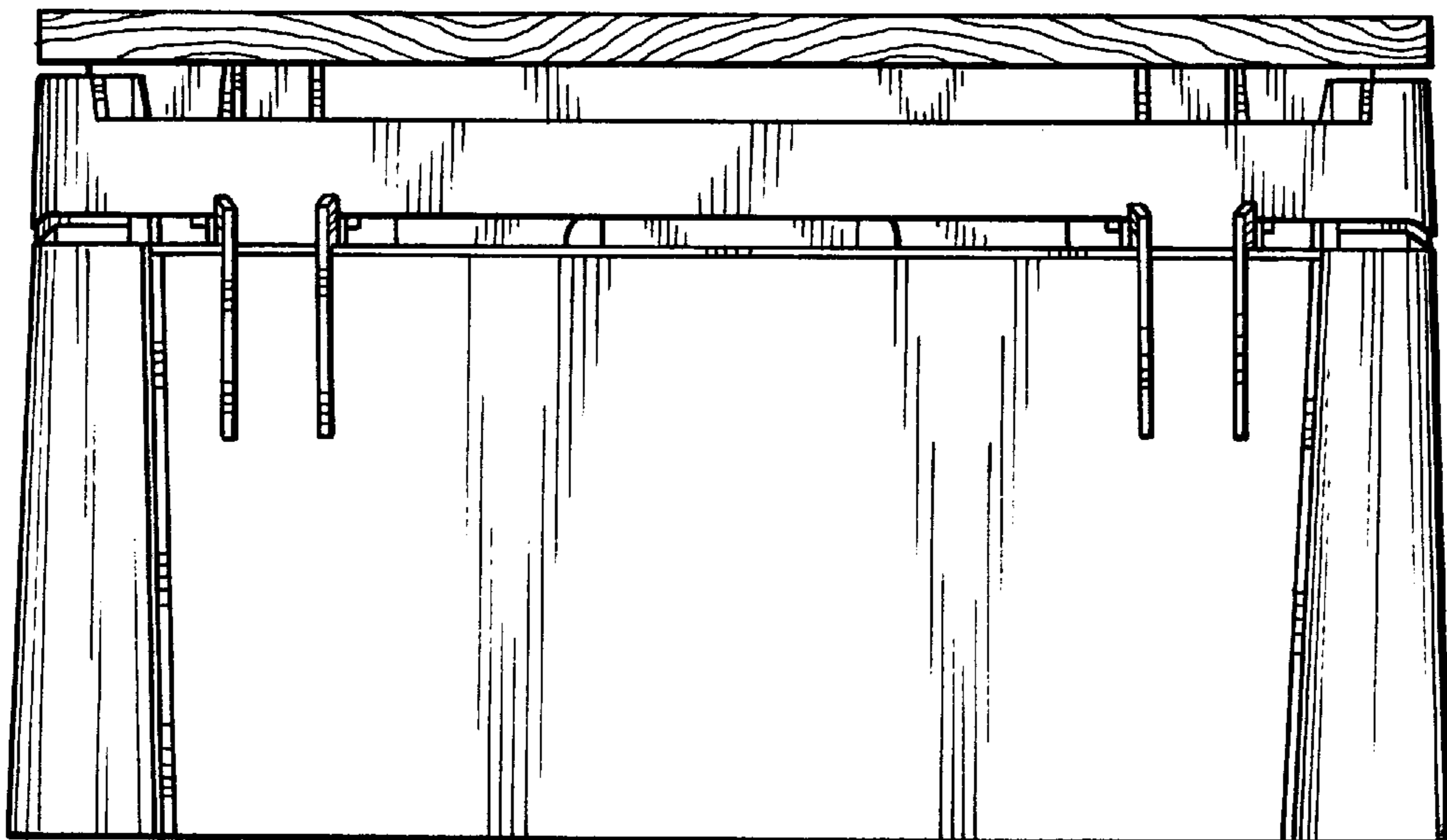


Fig - 5

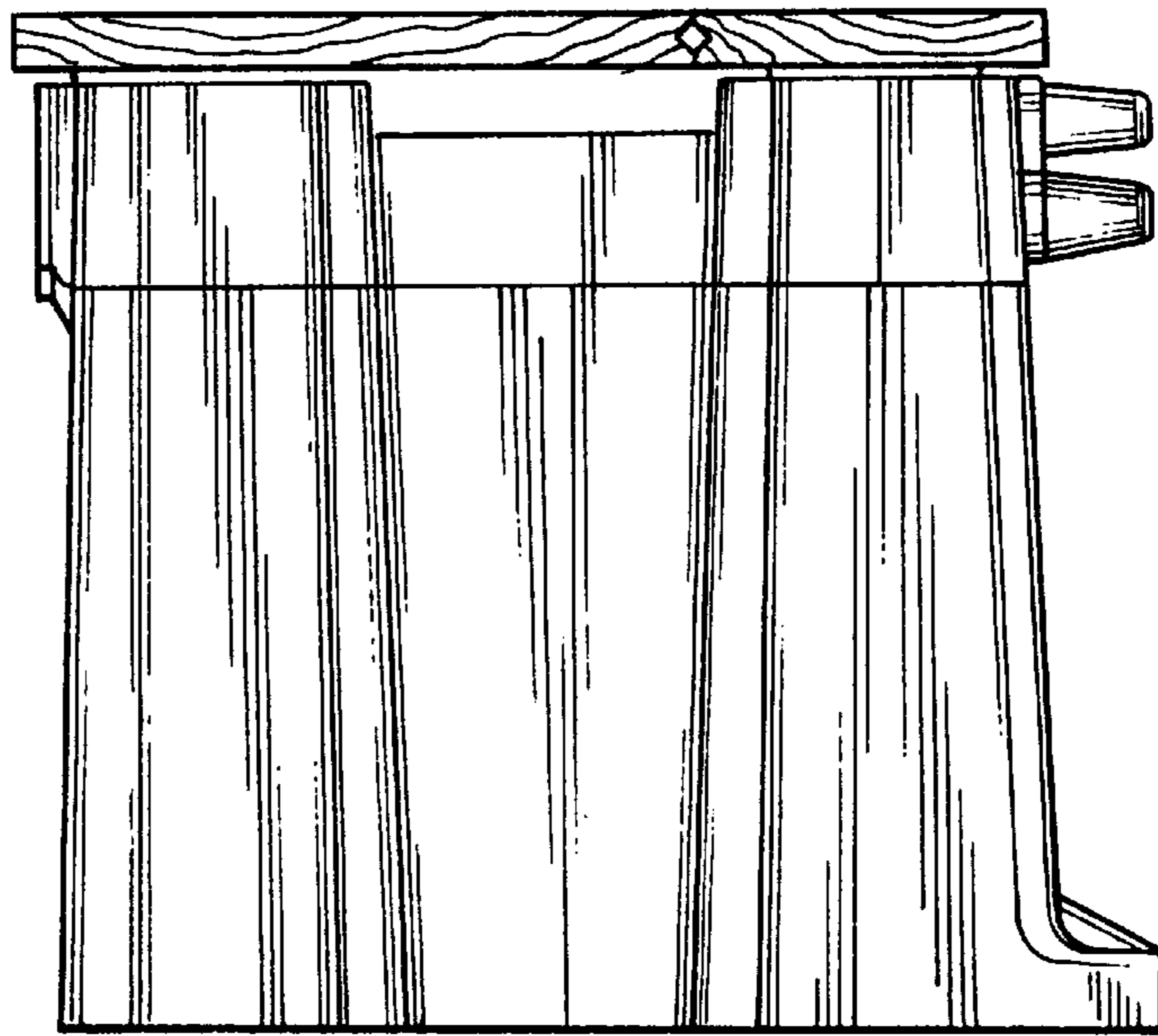


Fig - 4

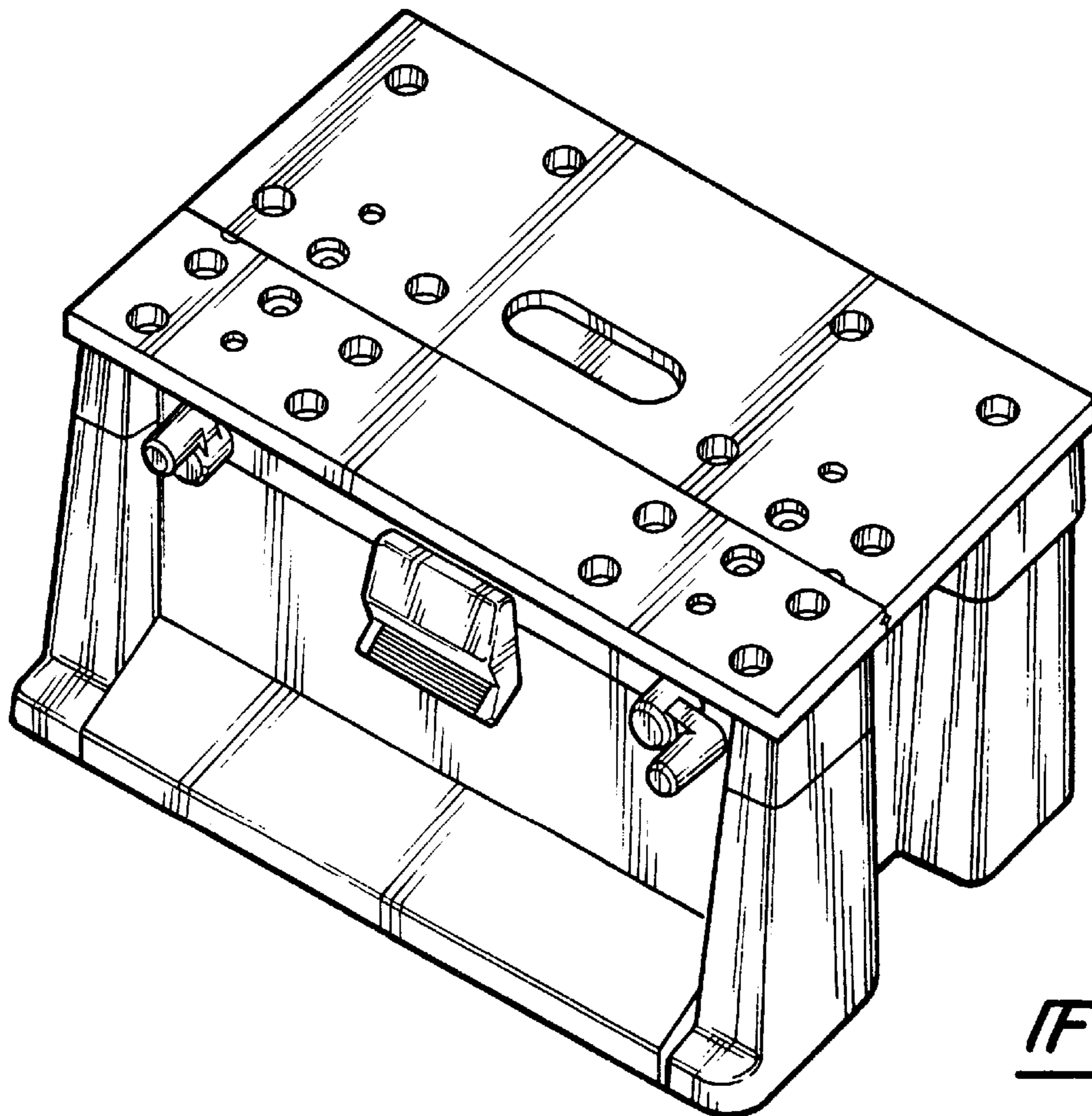


Fig - 8

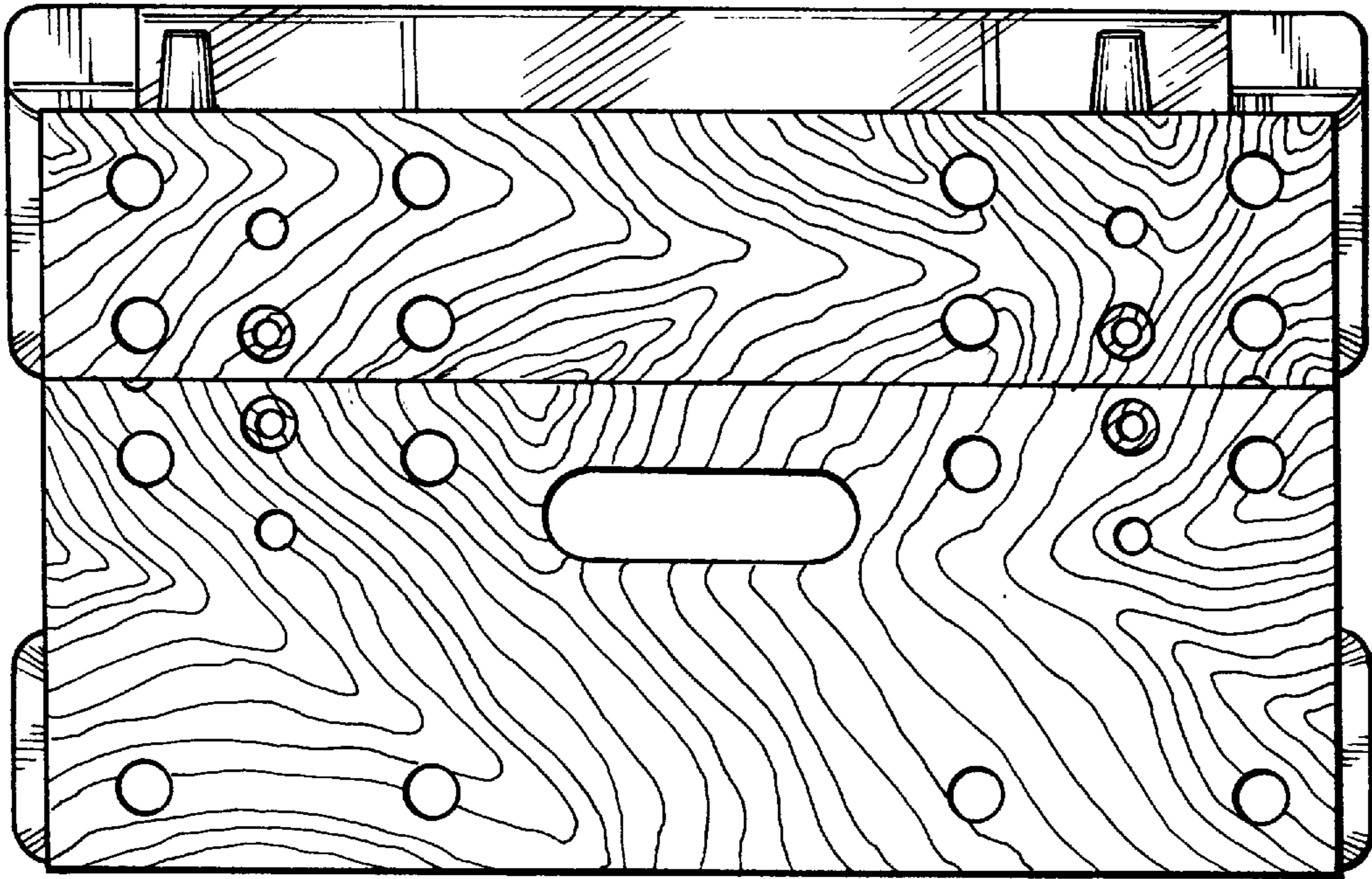


Fig - 6

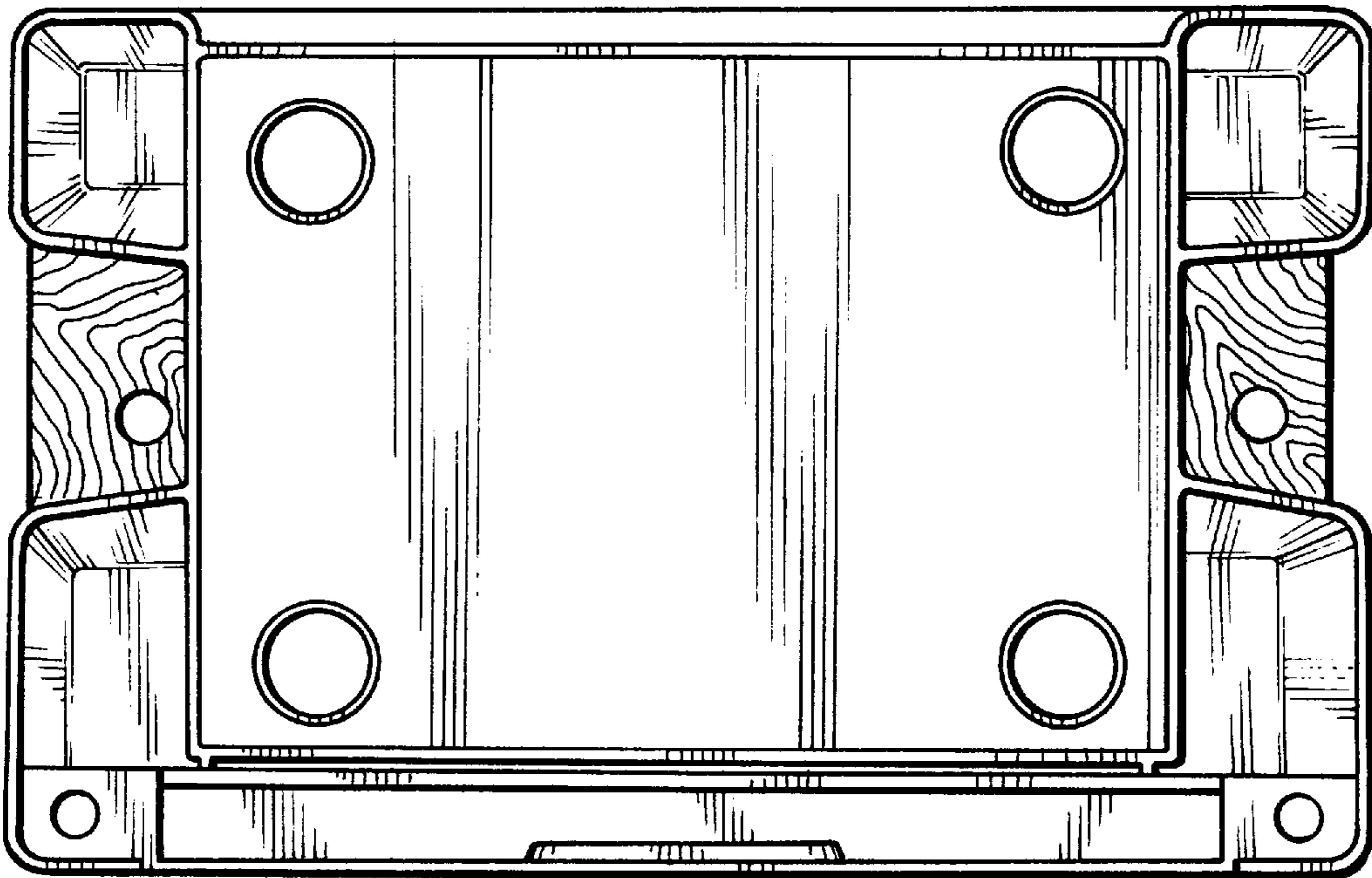


Fig - 7