



US00D405955S

United States Patent [19] Russell

[11] Patent Number: Des. 405,955

[45] Date of Patent: **Feb. 23, 1999

[54] CARPENTER'S TOOL HOLDER

4,821,933 4/1989 Seber .
5,341,975 8/1994 Marinescu 224/904

[76] Inventor: Steven W. Russell, 146 Clover Branch Rd., Elizabethton, Tenn. 37643

Primary Examiner—Louis S. Zarfes
Assistant Examiner—Catherine R. Oliver
Attorney, Agent, or Firm—Malcolm G. Dunn

[**] Term: 14 Years

[21] Appl. No.: 83,825

[57] CLAIM

[22] Filed: Feb. 19, 1998

The ornamental design for a carpenter's tool holder, as shown and described.

[51] LOC (6) Cl. 03-01

[52] U.S. Cl. D3/228

[58] Field of Search D3/215, 224, 228;
224/901, 904, 236, 240, 673

DESCRIPTION

FIG. 1 is a front elevational view of a carpenter's tool holder showing my new design;

FIG. 2 is a top plan view thereof;

FIG. 3 is a side elevational view, with the opposite side being a mirror image thereof;

FIG. 4 is a bottom plan view thereof; and,

FIG. 5 is a rear elevational view thereof.

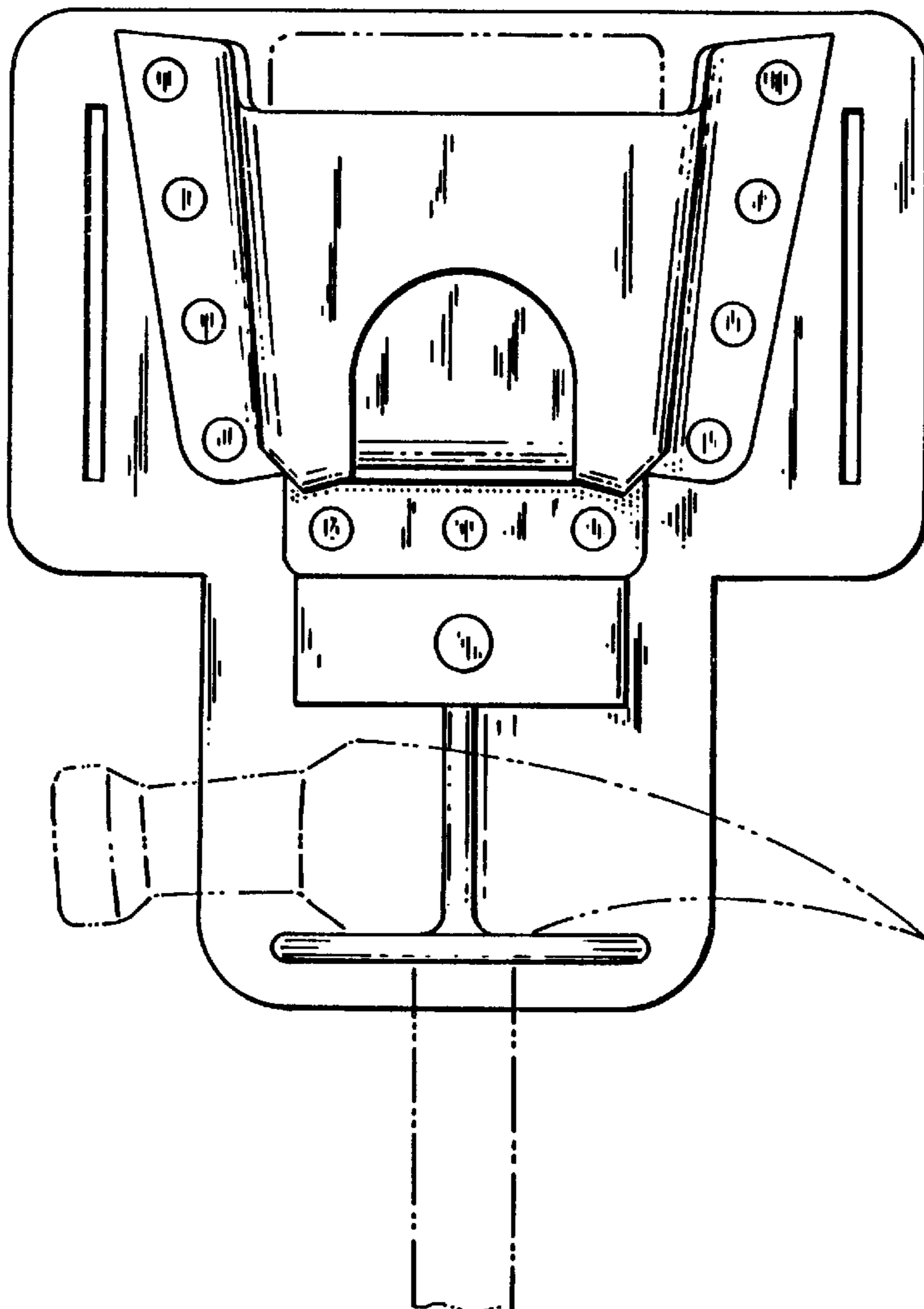
The broken line showing of carpenter's tools in FIGS. 1 and 3 is for illustrative purposes only and forms no part of the claimed design.

[56] References Cited

U.S. PATENT DOCUMENTS

- D. 248,066 6/1978 Hillinger .
- D. 253,019 10/1979 Hillinger .
- D. 314,670 2/1991 Schultz D3/228
- D. 333,215 2/1993 Brown D3/228
- D. 348,777 7/1994 Dancyger D3/228
- 4,106,679 8/1978 Hillinger .
- 4,372,468 2/1983 Harvey .

1 Claim, 2 Drawing Sheets



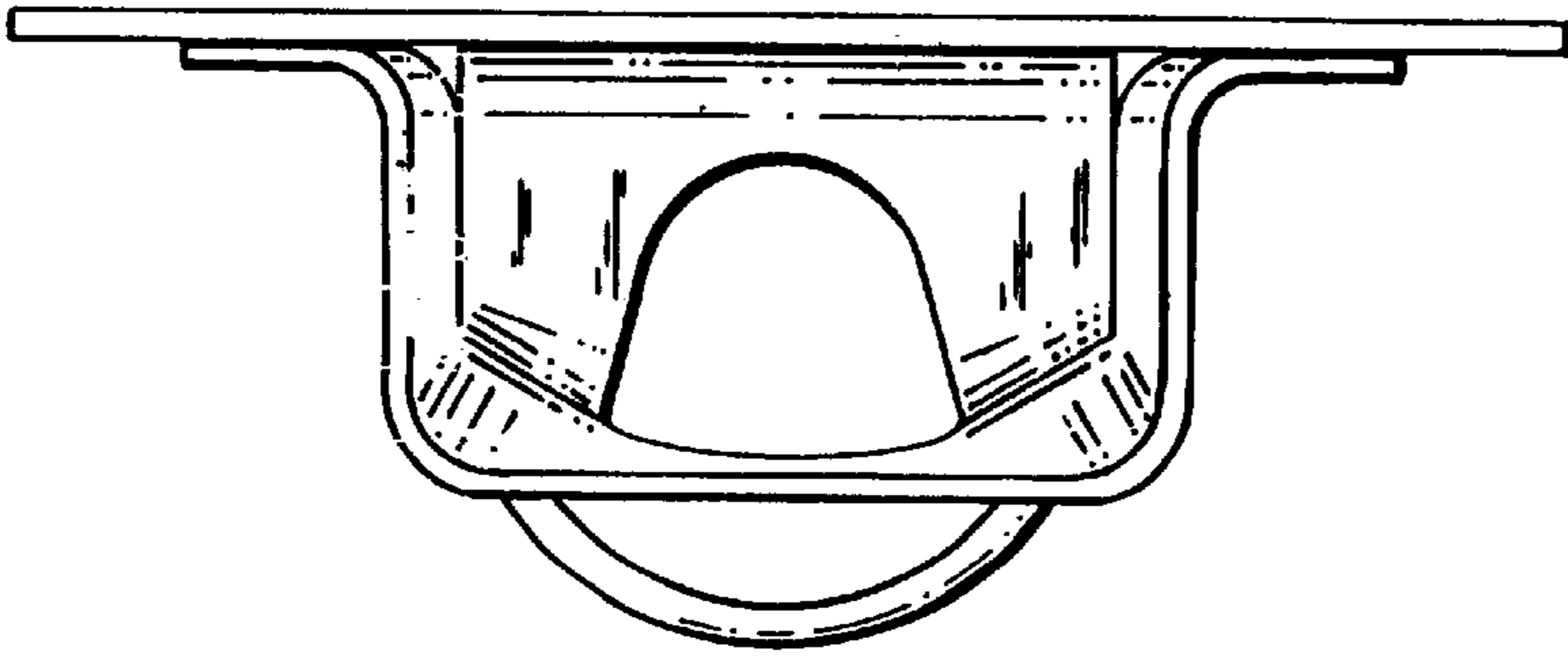


Fig. 2

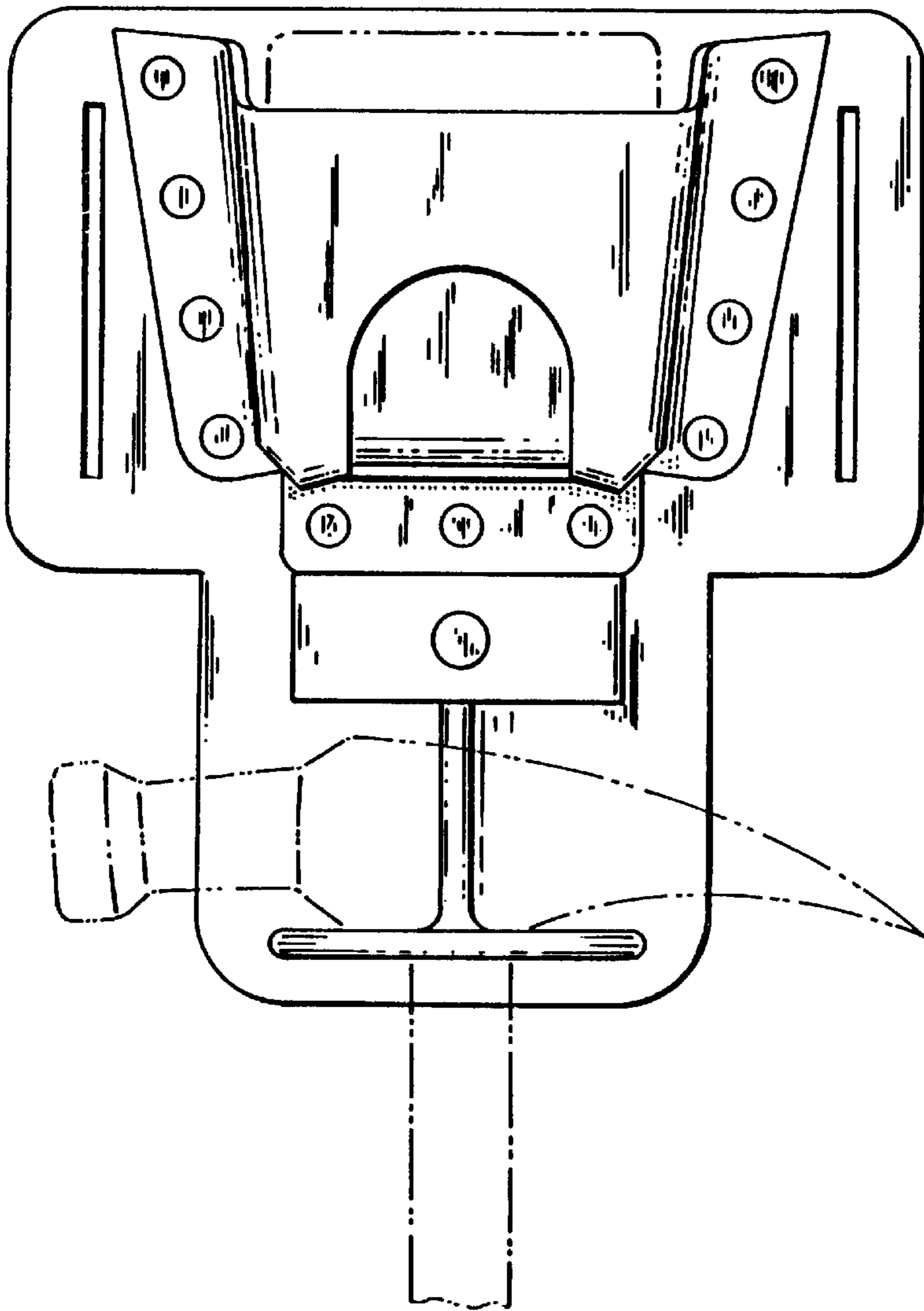


Fig. 1

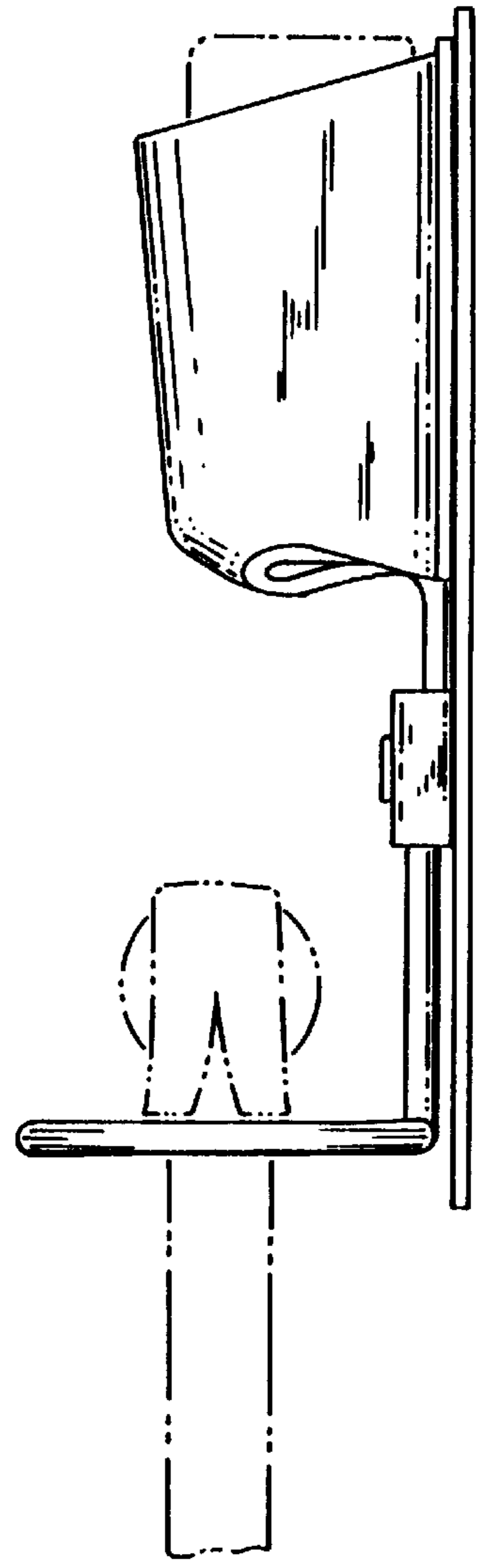


Fig. 3

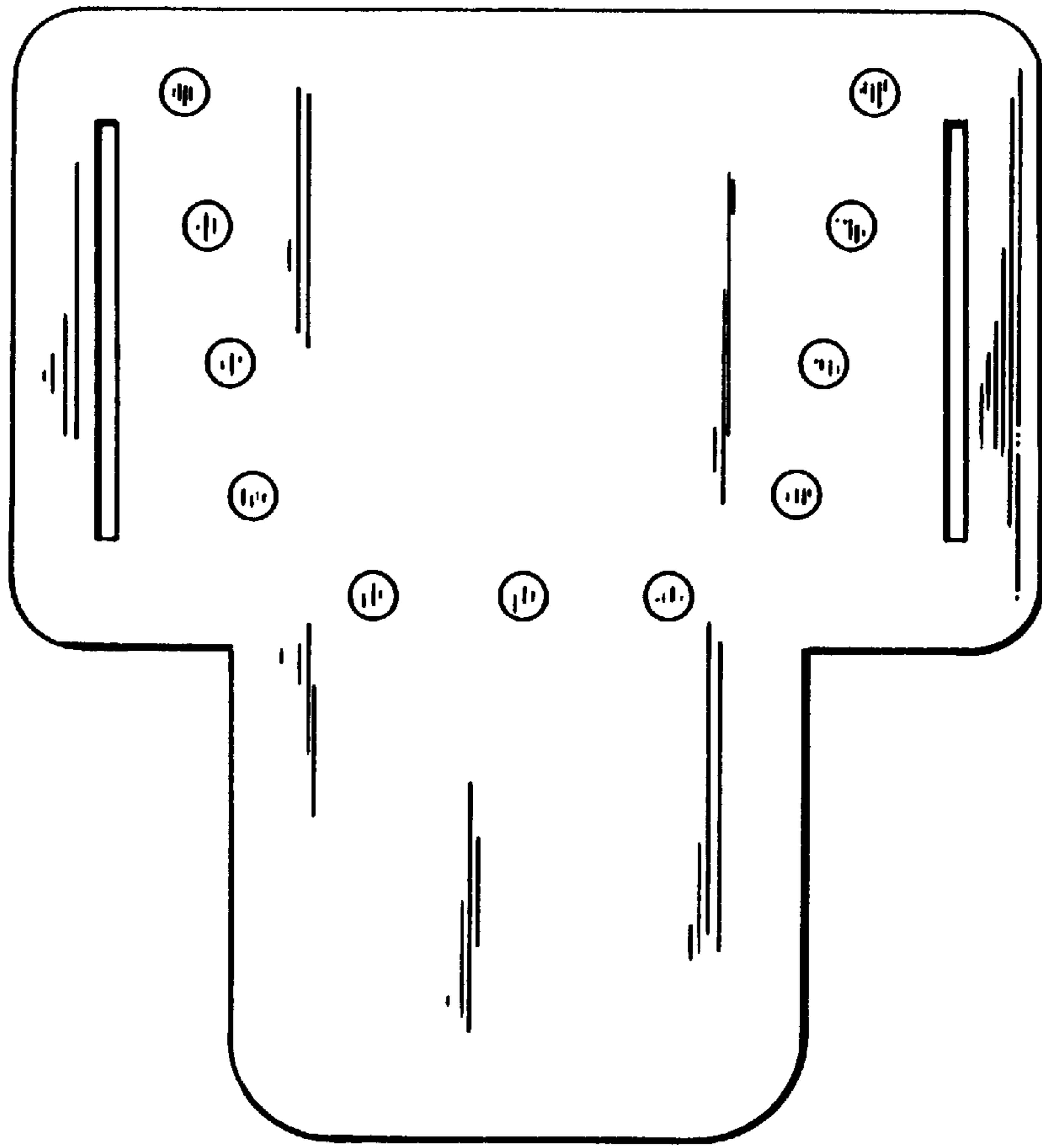


Fig. 5

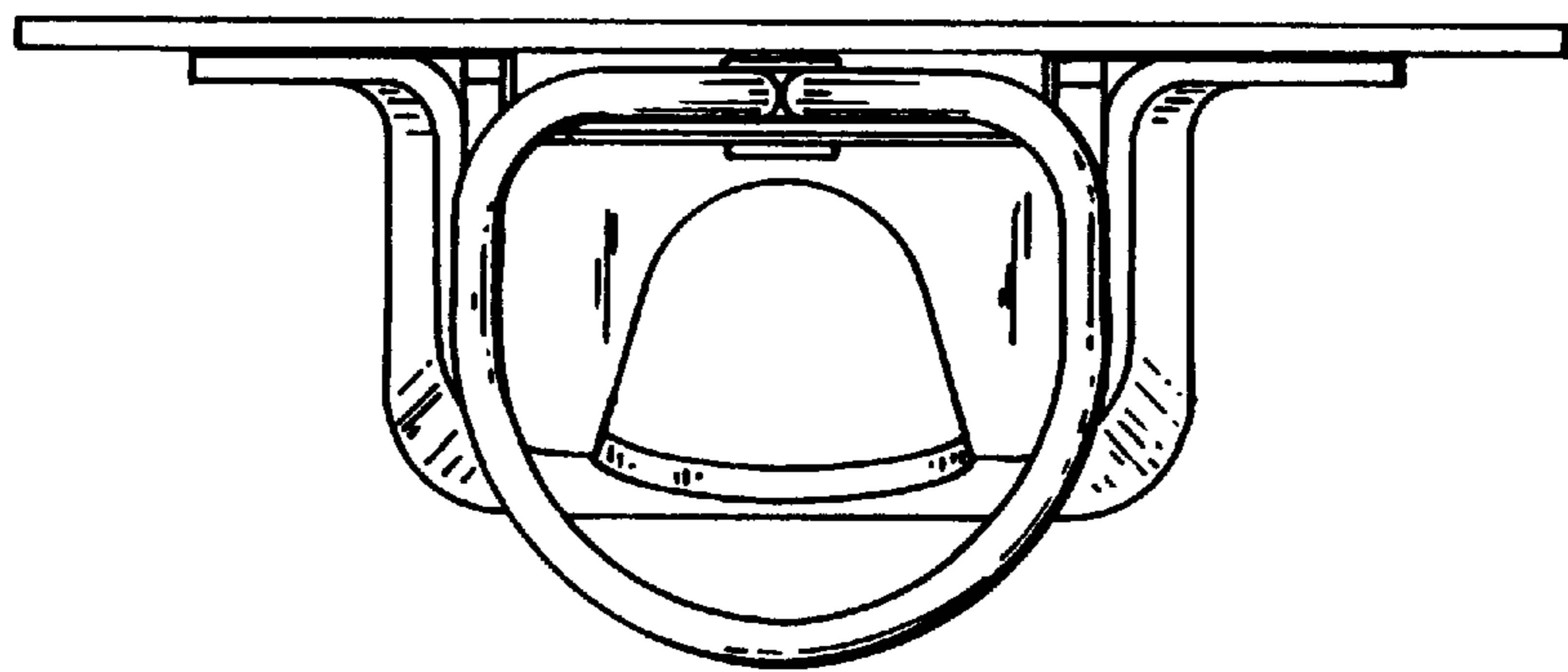


Fig. 4