



US00D405945S

United States Patent [19]
Kan

[11] **Patent Number: Des. 405,945**

[45] **Date of Patent: **Feb. 23, 1999**

[54] **SPIKE FOR A GOLF SHOE**

4,010,559 3/1977 Mitchell 36/128

[76] Inventor: **Wen-Chen Kan**, 6th Fl., No. 118, Sec. 2, Ta-an Rd., Taipei, Taiwan

Primary Examiner—Doris V. Coles
Attorney, Agent, or Firm—Peterson, Wicks, Nemer & Kamrath

[**] Term: **14 Years**

[57] **CLAIM**

[21] Appl. No.: **82,758**

The ornamental design for a spike for a golf shoe, as shown.

[22] Filed: **Jan. 27, 1998**

DESCRIPTION

[51] **LOC (6) Cl.** **02-04**

[52] **U.S. Cl.** **D2/962**

[58] **Field of Search** D2/962; 36/126, 36/59 R, 127, 128, 134, 67 D, 114

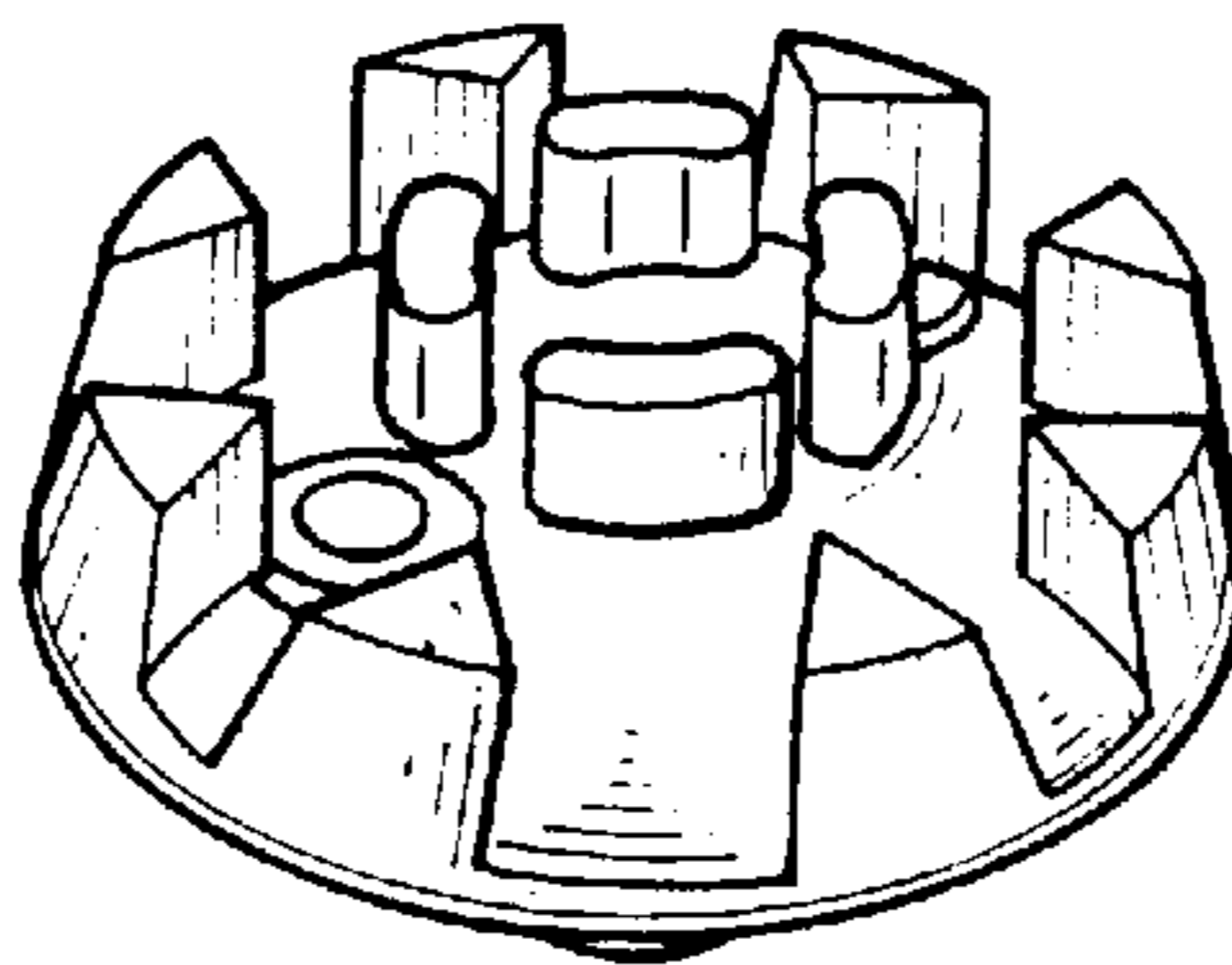
FIG. 1 is a perspective view of a spike for a golf shoe showing my new design;
FIG. 2 is a front view thereof;
FIG. 3 is a rear view thereof;
FIG. 4 is a left side view thereof;
FIG. 5 is a right side view thereof;
FIG. 6 is a top view thereof;
FIG. 7 is a bottom view thereof; and,
FIG. 8 is a bottom perspective view thereof.

[56] **References Cited**

U.S. PATENT DOCUMENTS

- D. 327,975 7/1992 Saito et al. D2/962
- D. 389,297 1/1998 Adam D2/962
- D. 391,047 2/1998 Backus D2/962

1 Claim, 3 Drawing Sheets



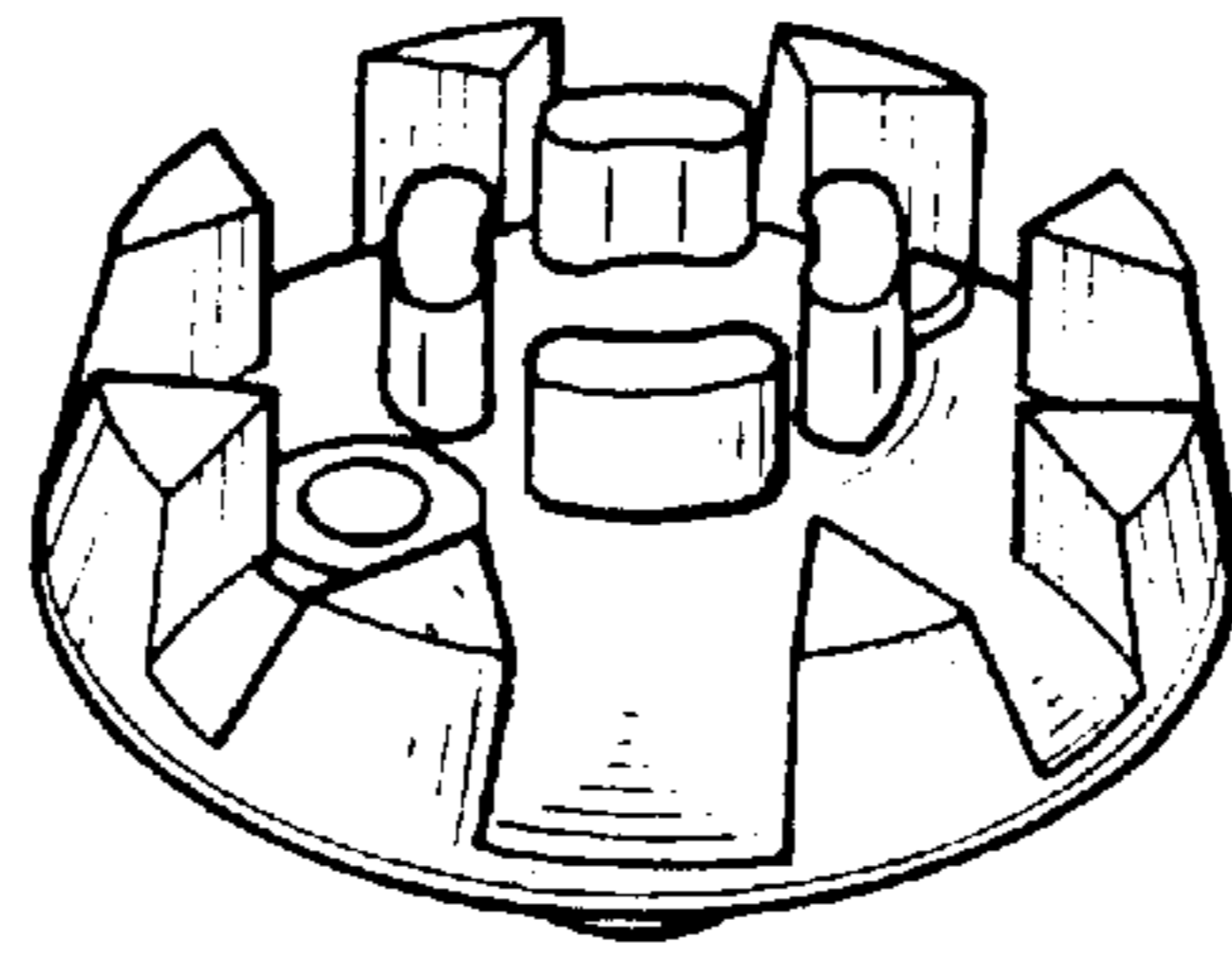


Fig.1

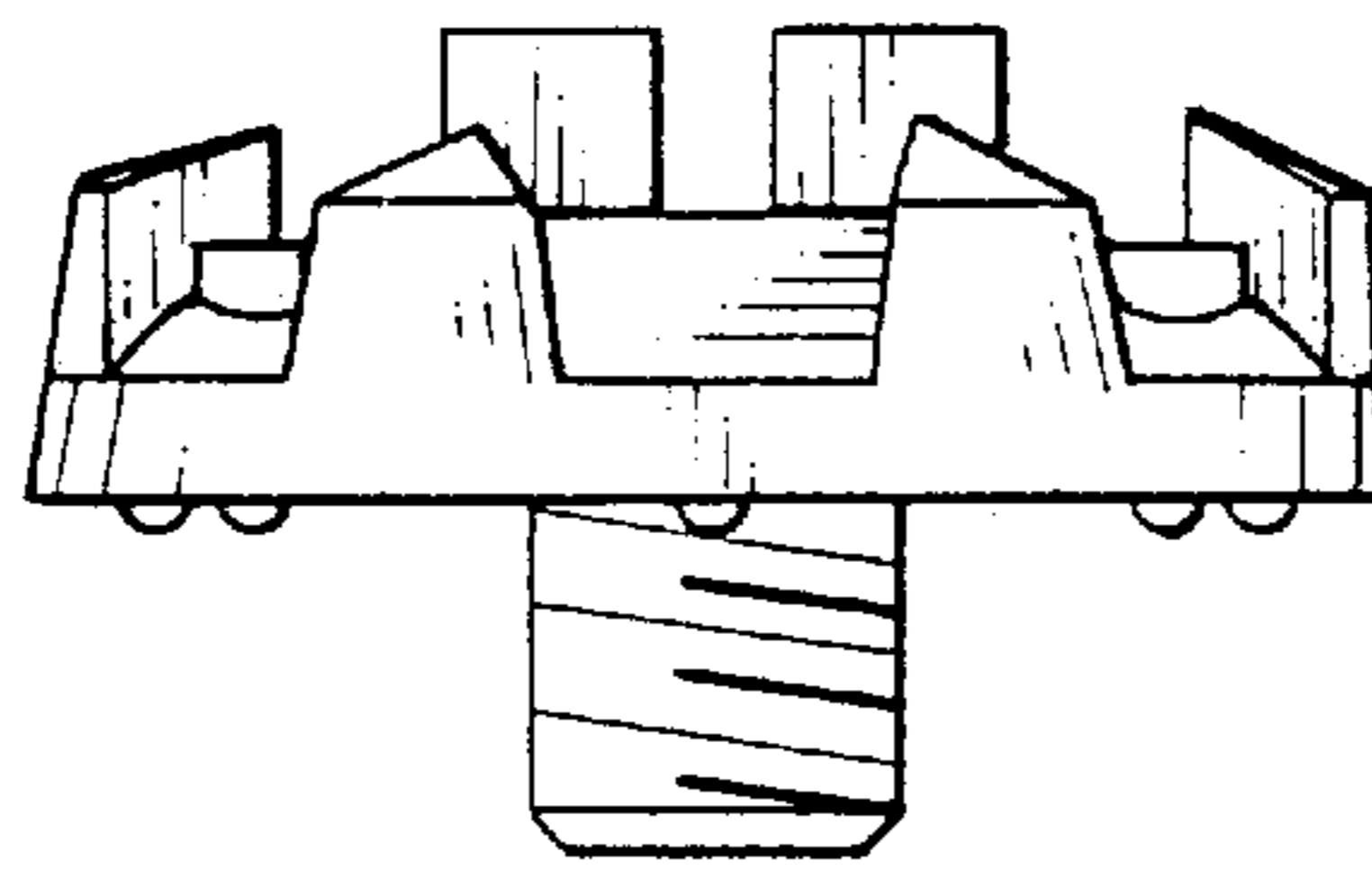


Fig.2

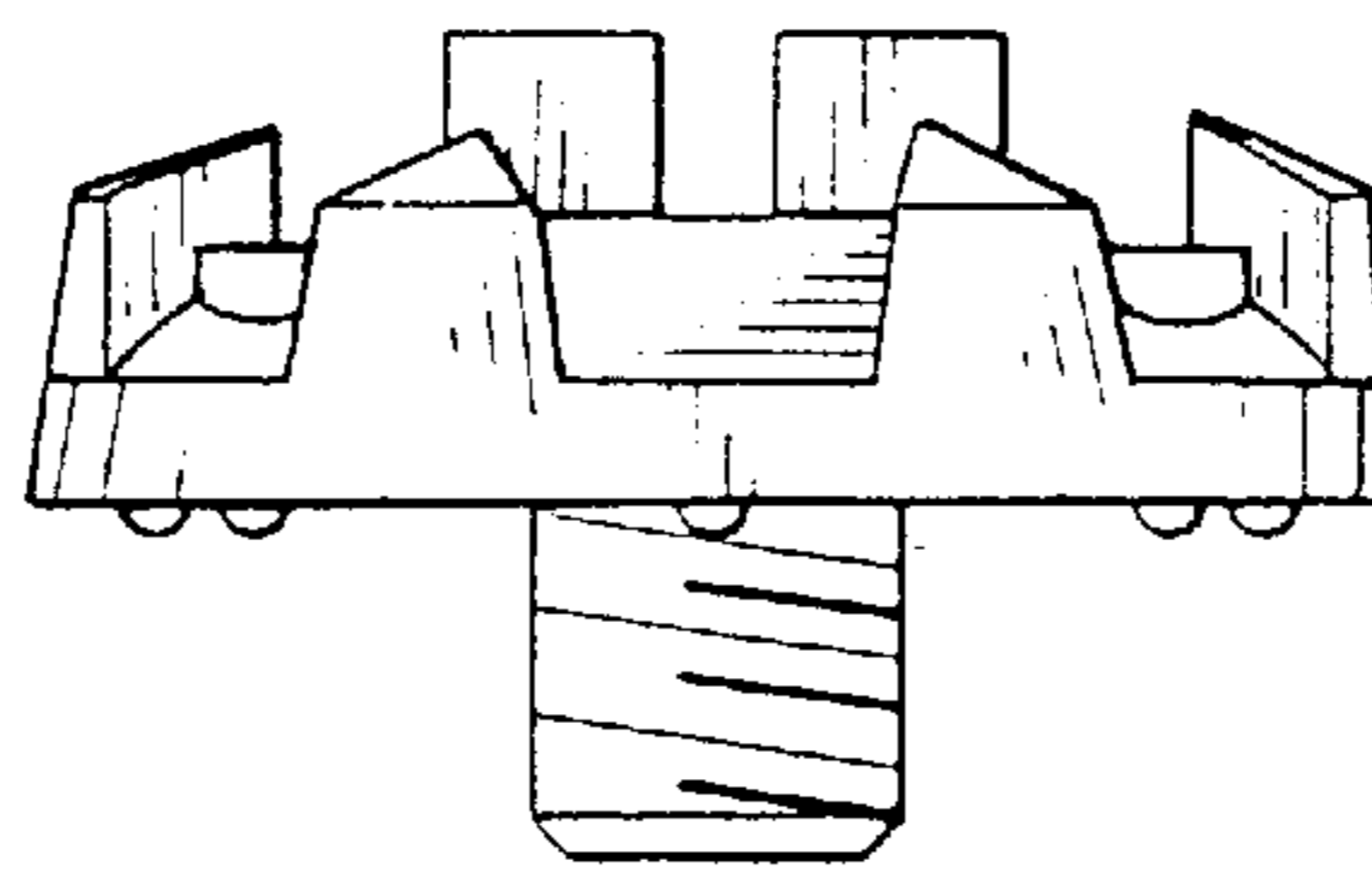


Fig.3

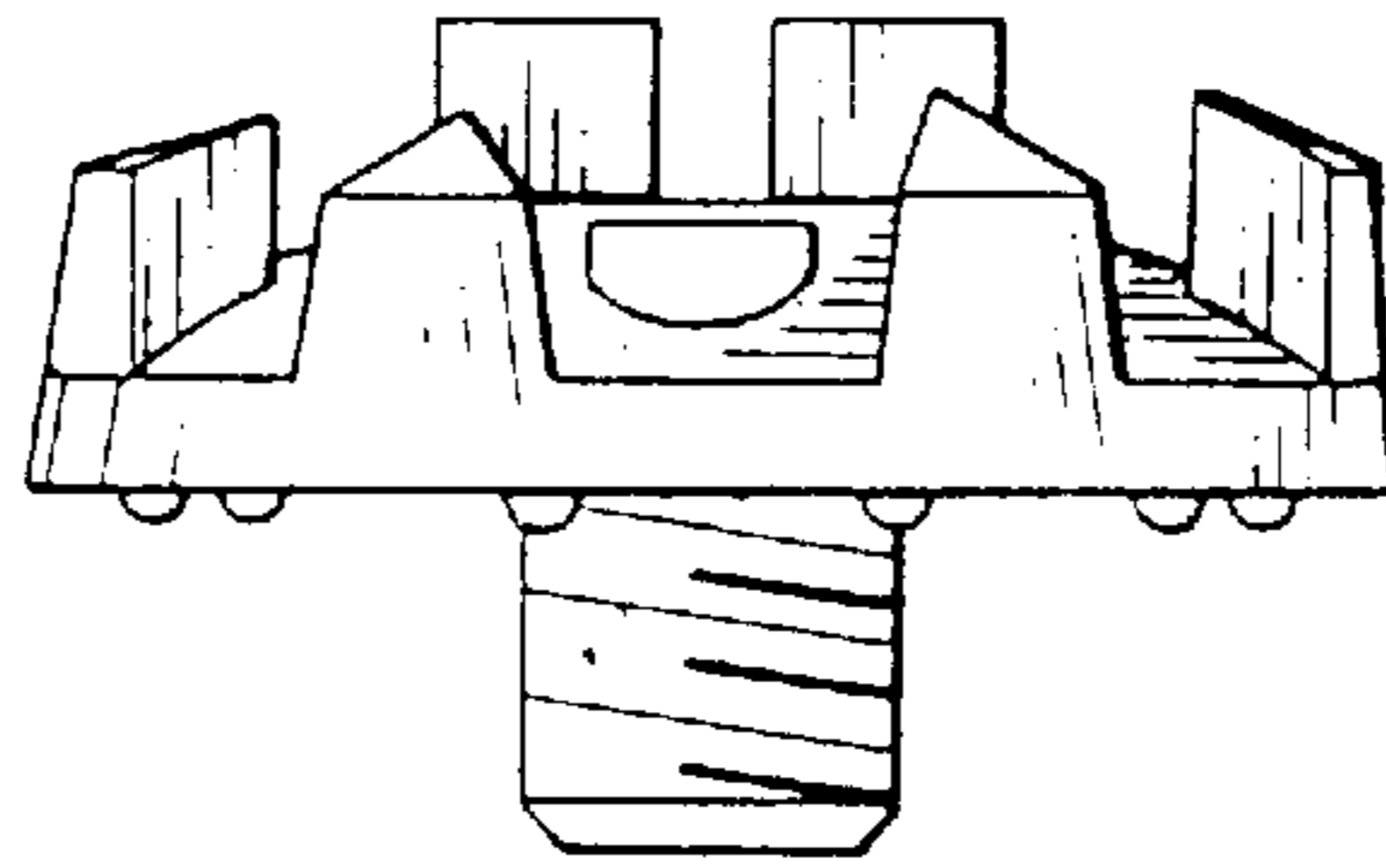


Fig.4

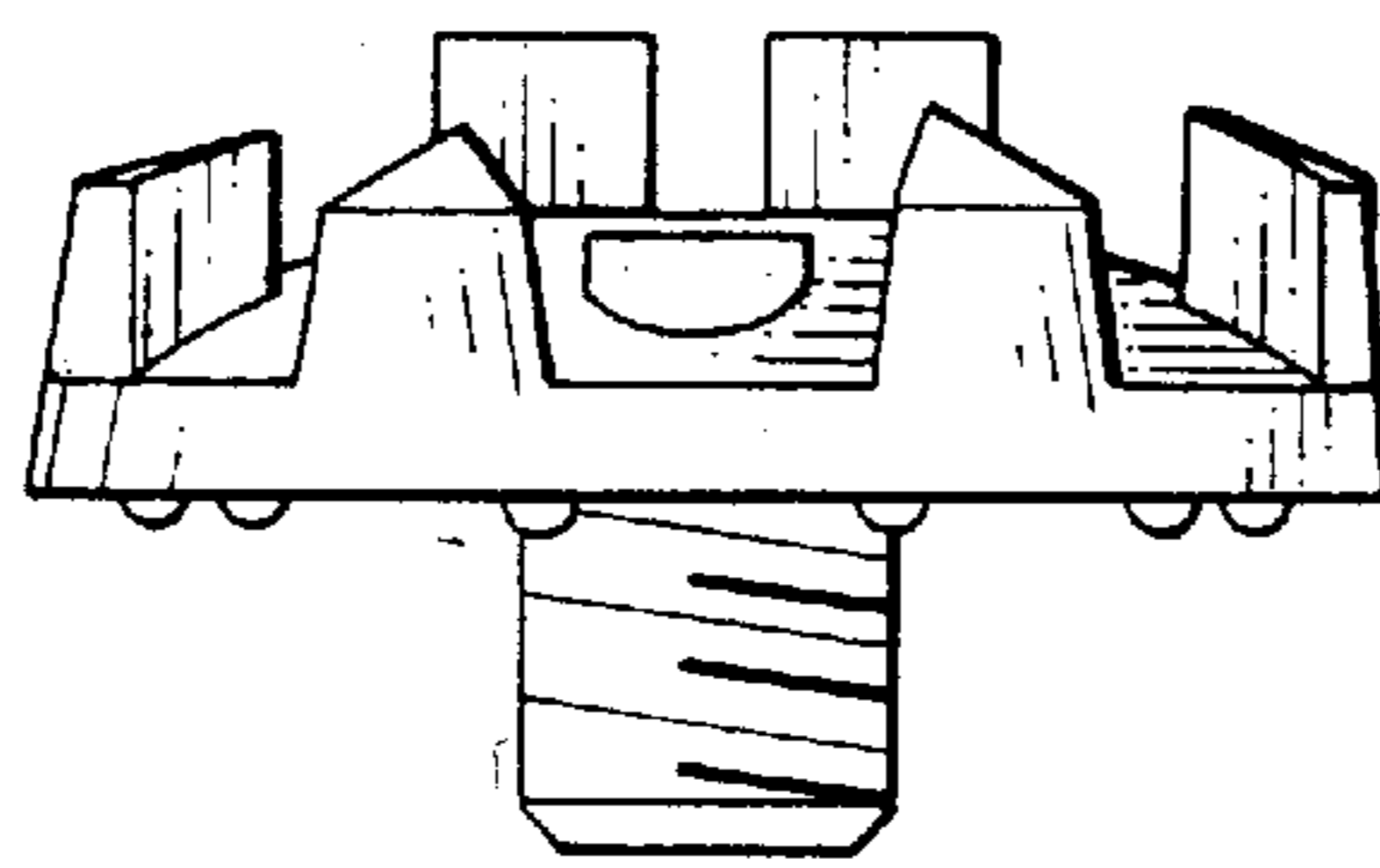


Fig.5

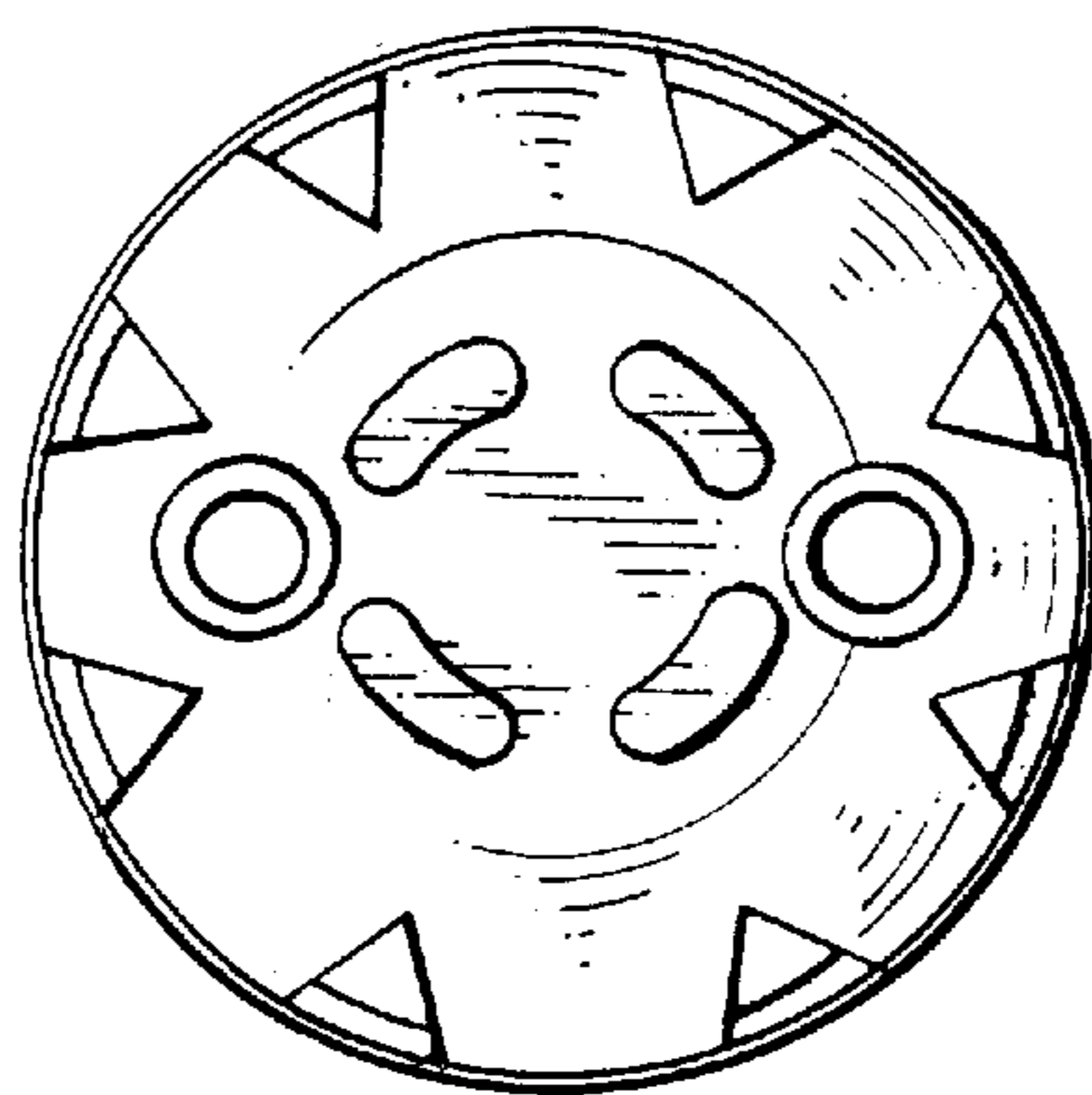


Fig.6

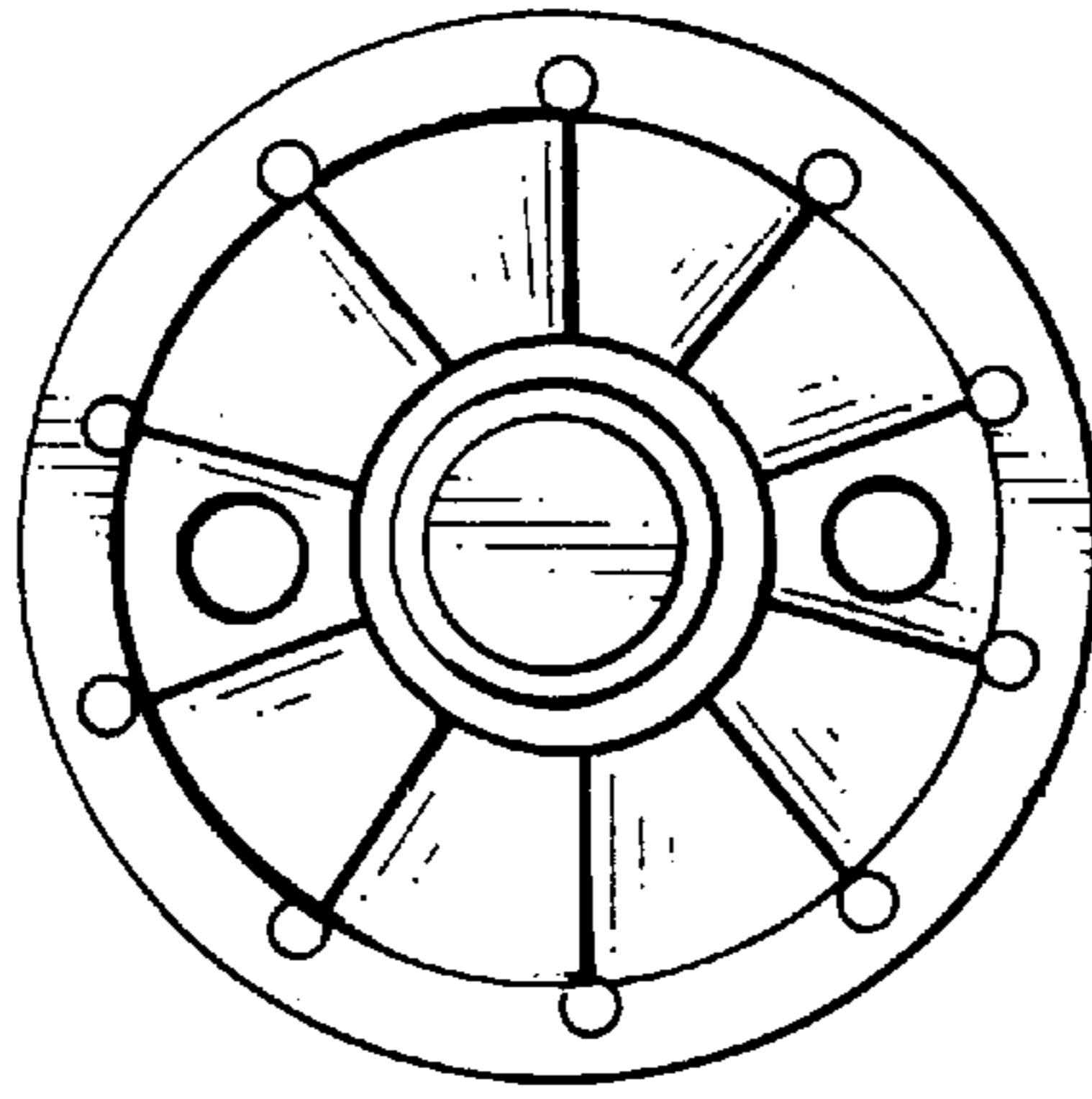


Fig. 7

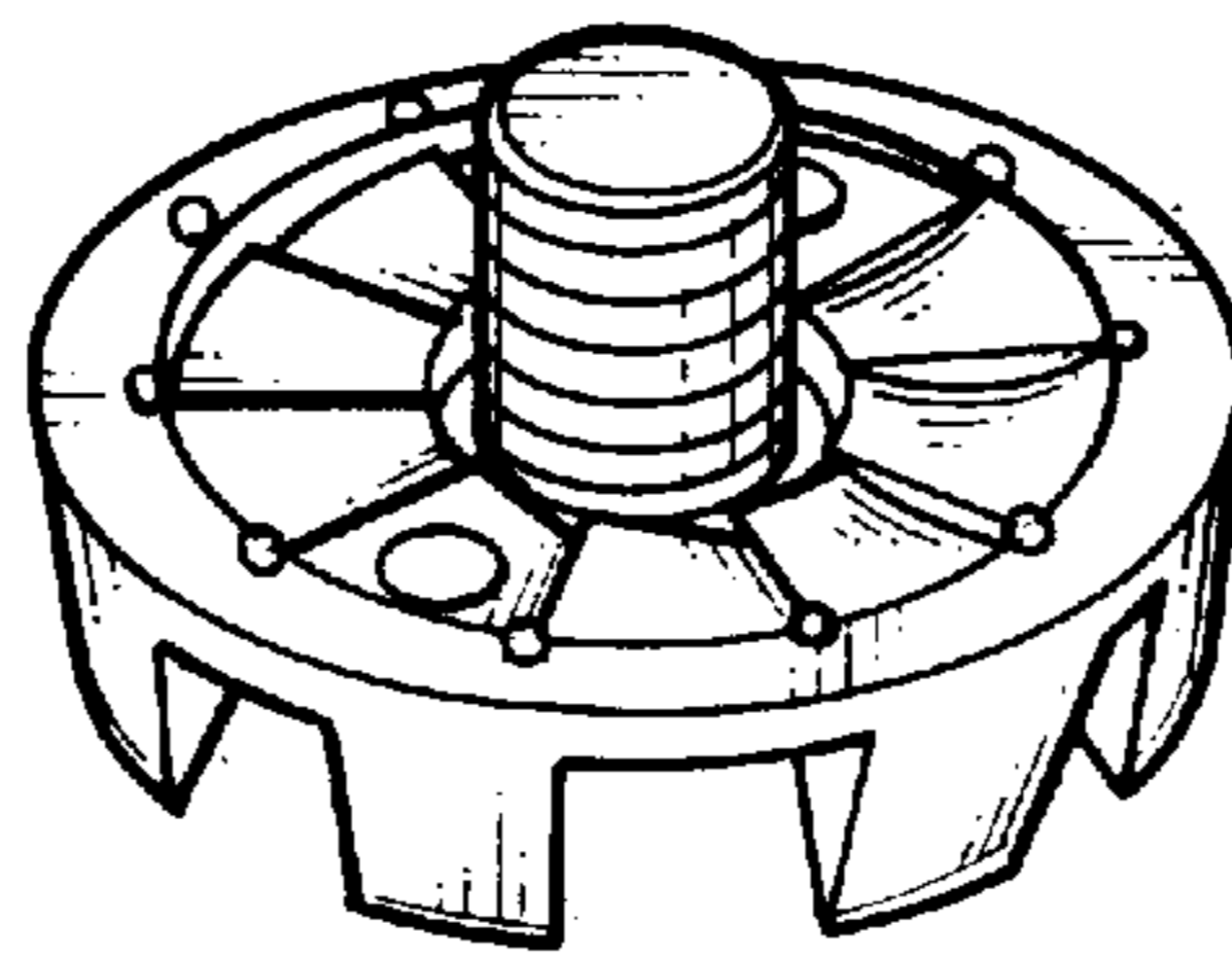


Fig. 8