

US00D405936S

**United States Patent** [19]  
**Kojima**

[11] **Patent Number: Des. 405,936**

[45] **Date of Patent: \*\*Feb. 23, 1999**

[54] **ICE CREAM CONE WITH HANDLE**

[76] Inventor: **Kimberly Kojima**, 2167 Green River Rd., Williamstown, Mass. 01267

[\*\*] Term: **14 Years**

[21] Appl. No.: **78,481**

[22] Filed: **Oct. 27, 1997**

[51] **LOC (6) Cl.** ..... **01-01**

[52] **U.S. Cl.** ..... **D1/117**

[58] **Field of Search** ..... D1/101, 102, 103, D1/104, 105; 426/138, 139, 143, 514, 115

[56] **References Cited**

**U.S. PATENT DOCUMENTS**

D. 95,137 4/1935 Kanfer et al. .... D1/117

D. 103,099 2/1937 Helfgott ..... D1/117  
D. 319,913 9/1991 George ..... D1/116  
D. 364,319 11/1995 Schaeppi ..... D7/536  
3,459,296 8/1969 Berg ..... 426/115

*Primary Examiner*—Susan J. Lucas

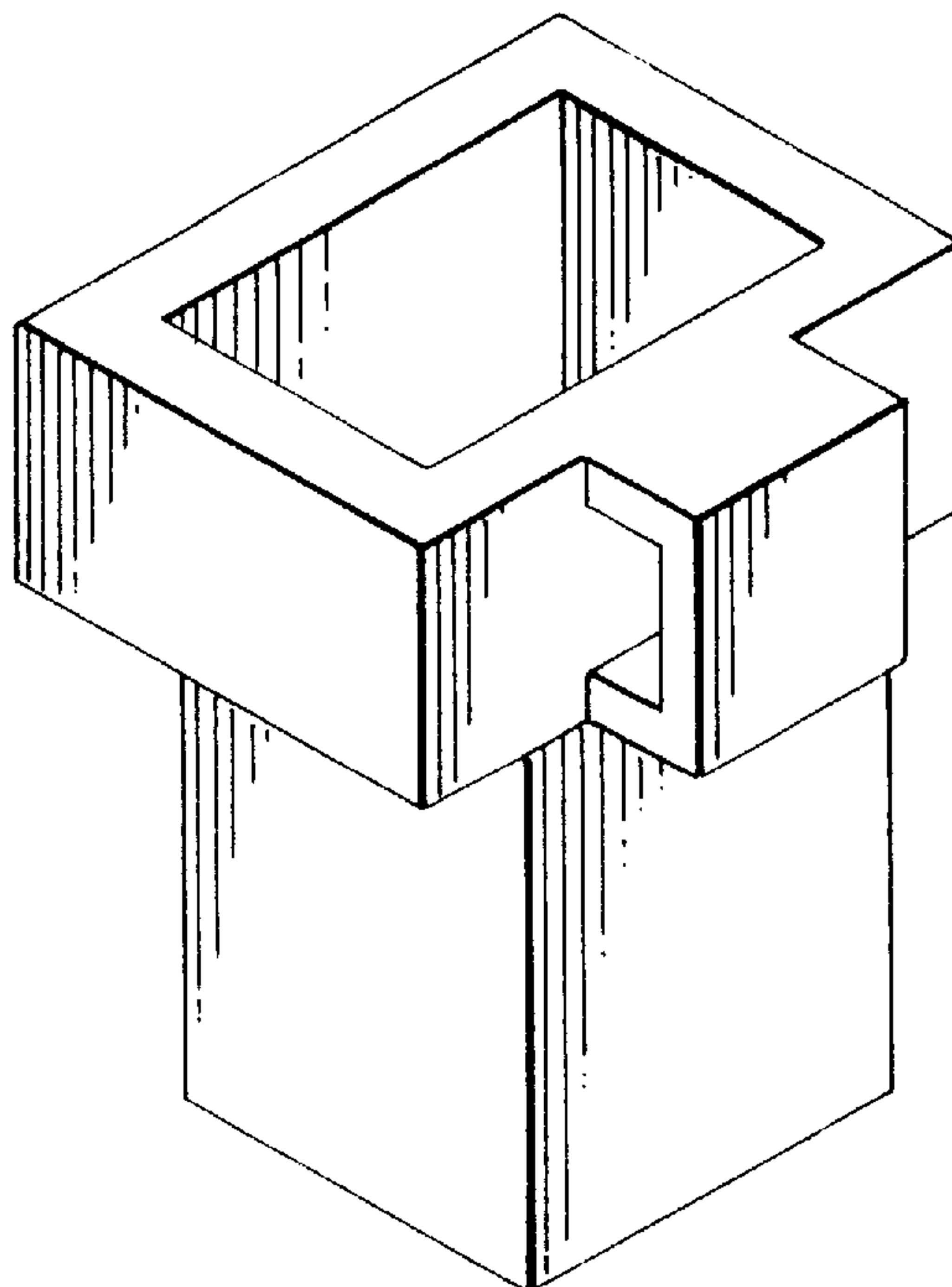
[57] **CLAIM**

The ornamental design for an ice cream cone with handle, as shown and described.

**DESCRIPTION**

FIG. 1 is a top perspective view of an ice cream cone with handle, showing one embodiment of my new design; FIG. 2 is a side elevational view thereof; FIG. 3 is a top view thereof; and, FIG. 4 is a bottom view thereof.

**1 Claim, 1 Drawing Sheet**



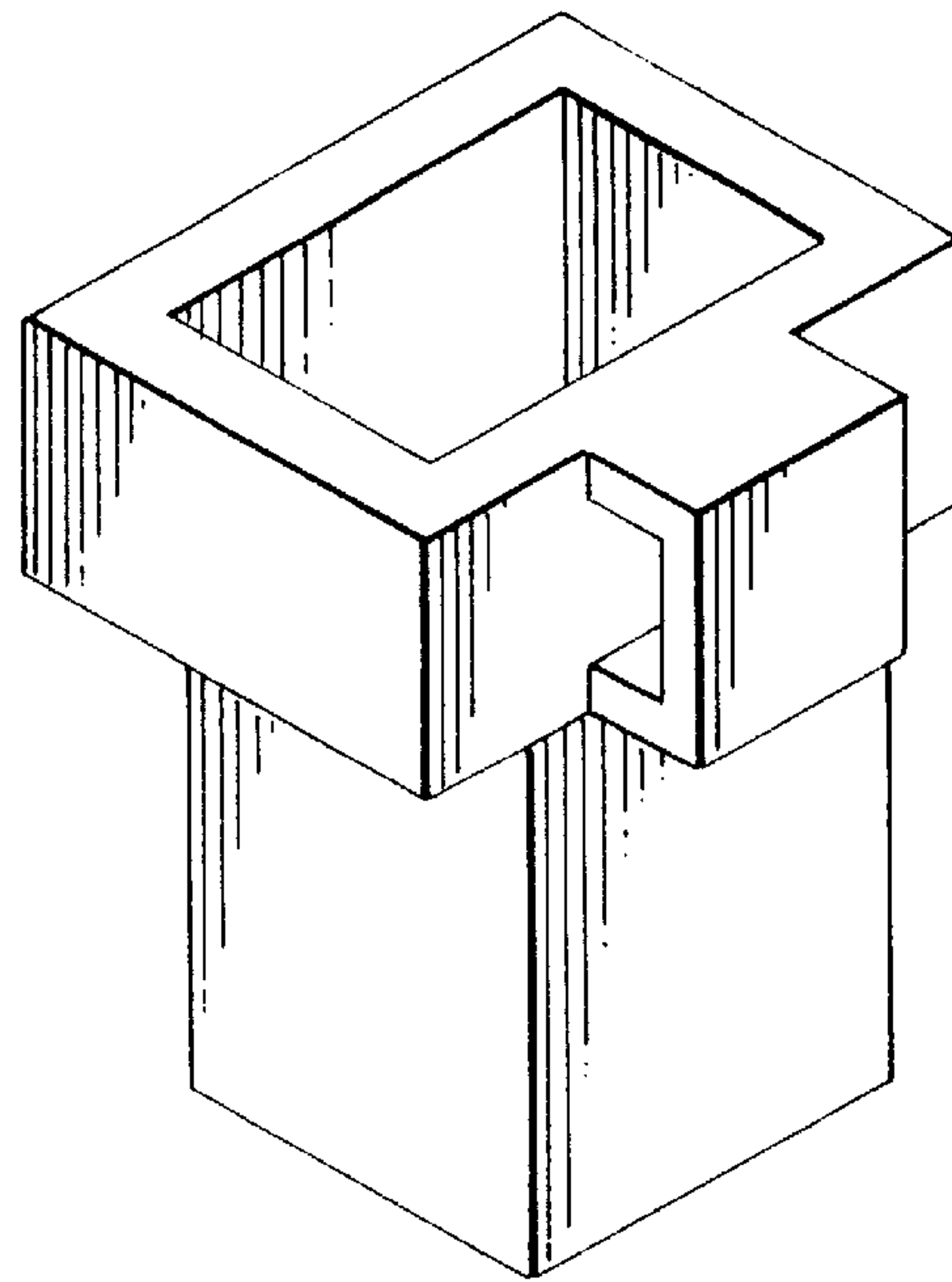


FIG. 1

FIG. 2

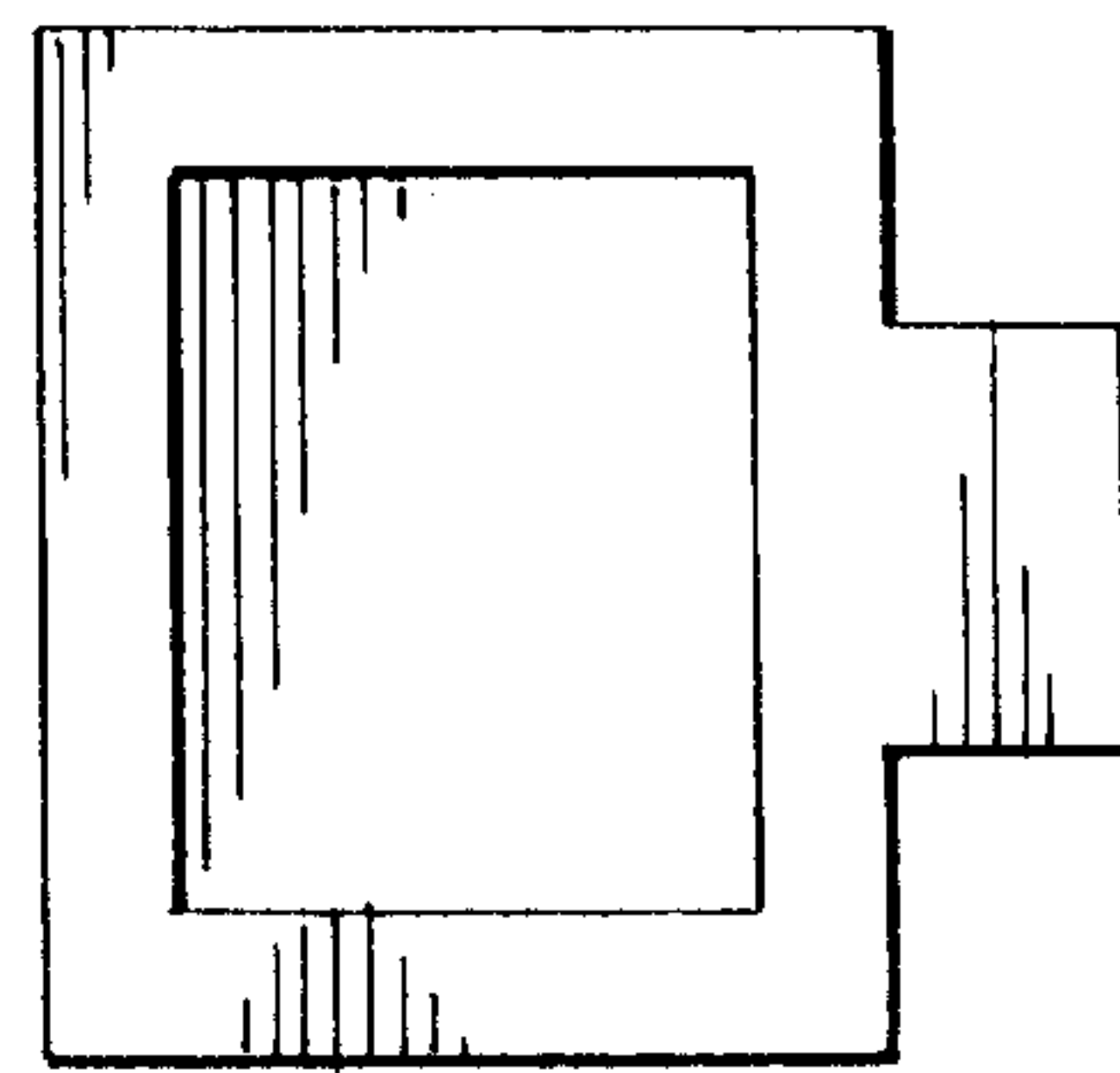
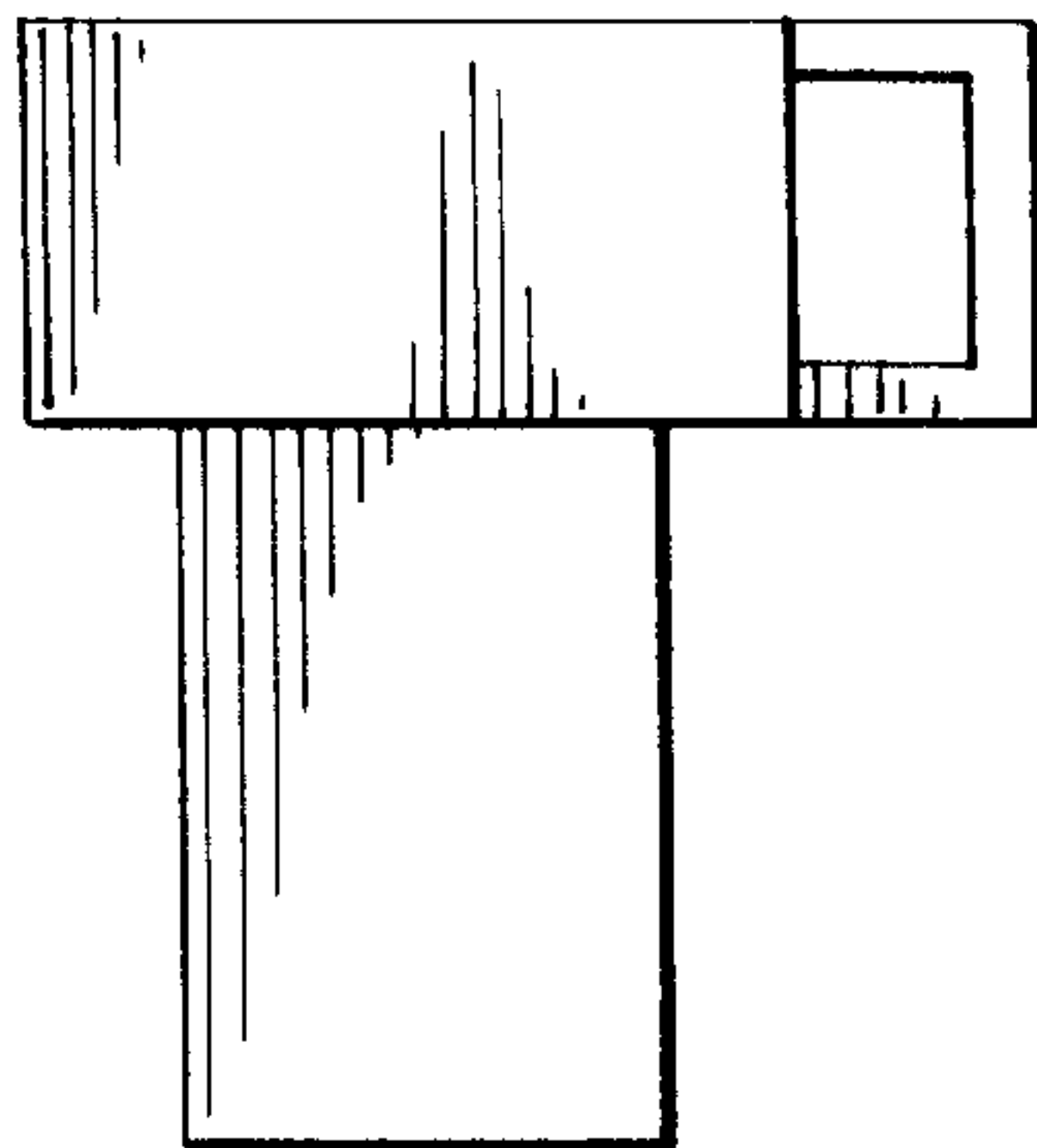


FIG. 3

FIG. 4

