



US00D405933S

United States Patent [19] Johnson

[11] **Patent Number: Des. 405,933**

[45] **Date of Patent: **Feb. 16, 1999**

[54] **PERIPHERAL CABINET FOR NCR 587X
TERMINALS**

[75] Inventor: **Timothy P. Johnson**, Centerville, Ohio

[73] Assignee: **NCR Corporation**, Dayton, Ohio

[**] Term: **14 Years**

[21] Appl. No.: **69,983**

[22] Filed: **Apr. 21, 1997**

[30] **Foreign Application Priority Data**

Dec. 3, 1996 [GB] United Kingdom 2061404

[51] **LOC (6) Cl.** **25-03**

[52] **U.S. Cl.** **D99/28; D99/43**

[58] **Field of Search** D99/28, 35, 41,
D99/43; D14/100, 102, 103, 104, 105,
106, 130, 146; D6/420; D20/1, 2, 3, 4,
5, 6; 235/379, 380, 381, 482; 312/211,
212, 215; 194/206, 222, 350; D13/162,
184, 199

[56] **References Cited**

U.S. PATENT DOCUMENTS

D. 267,127 11/1982 Noel D99/28

D. 268,062 2/1983 Chance D99/28
D. 329,520 9/1992 Yukimoto et al. D99/28
D. 329,521 9/1992 Yukimoto et al. D99/28
D. 394,846 6/1998 Lee et al. D14/102
D. 395,134 6/1998 Johnson D99/43
D. 396,932 8/1998 Johnson D99/28
5,721,420 2/1998 May 235/379

Primary Examiner—Paula A. Mortimer
Attorney, Agent, or Firm—Michael Chan

[57] **CLAIM**

The ornamental design for a peripheral cabinet for NCR 587X terminals, as shown and described.

DESCRIPTION

FIG. 1 is a right front perspective view of a peripheral cabinet for NCR 587X terminals showing my new design, the undisclosed rear, bottom, and left side do not form part of the claimed design; and,

FIG. 2 is a right side elevational view thereof.

The broken line showing of the NCR 587X terminal in FIGS. 1 and 2 is for illustrative purposes only and forms no part of the claimed design.

1 Claim, 2 Drawing Sheets

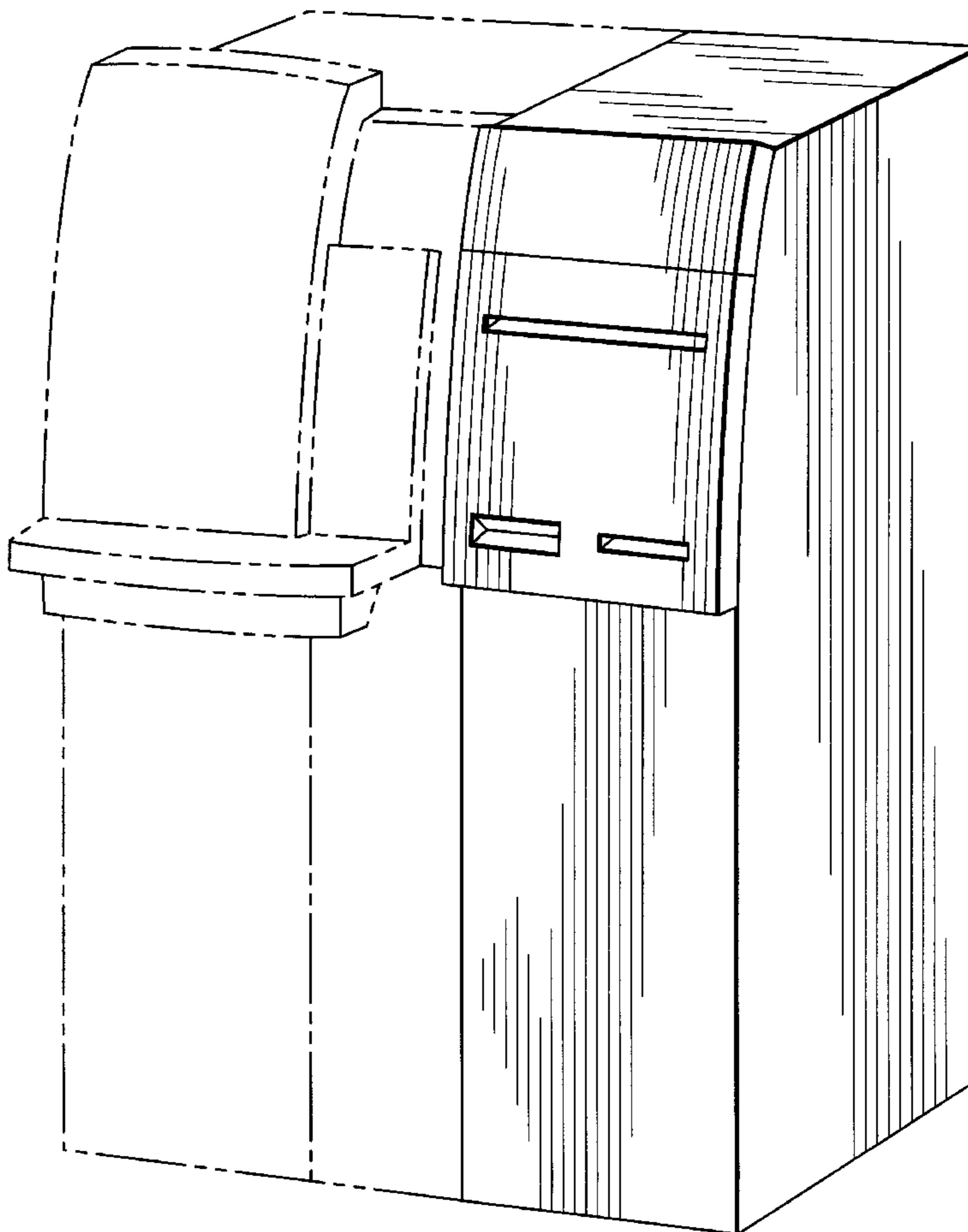


FIG. 1

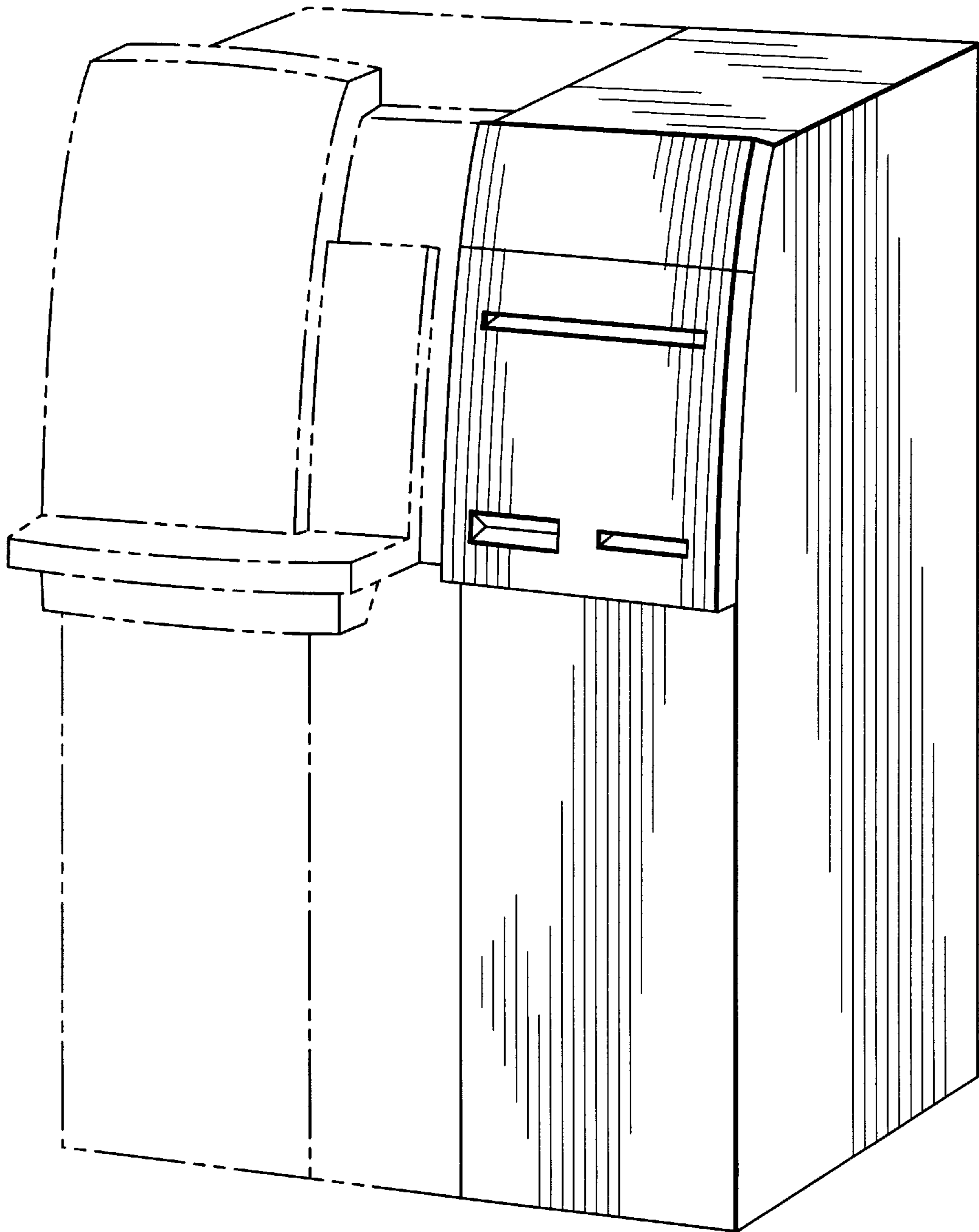


FIG. 2

