



US00D405932S

United States Patent [19]
Winburn

[11] **Patent Number: Des. 405,932**
[45] **Date of Patent: **Feb. 16, 1999**

[54] **CASKET LID END CAP**

[75] Inventor: **Charles F. Winburn**, Batesville, Ind.

[73] Assignee: **Batesville Casket Company, Inc.**,
Batesville, Ind.

[**] Term: **14 Years**

[21] Appl. No.: **83,216**

[22] Filed: **Feb. 4, 1998**

[51] **LOC (6) Cl. 99-00**

[52] **U.S. Cl. D99/8**

[58] **Field of Search** D99/1, 3, 4, 6,
D99/8, 13, 15, 16; 27/1, 2, 5, 8, 10, 14,
15, 17, 35; 52/124.1

[56] **References Cited**

U.S. PATENT DOCUMENTS

- D. 121,137 6/1940 Donatney D99/1
- D. 161,561 1/1951 Wickersham D99/1
- 395,537 1/1889 Bakor 27/35
- 408,169 7/1889 Dunn 52/124.1
- 678,348 7/1901 Nichols .
- 768,481 8/1904 Post .
- 1,234,180 7/1917 Kersten .
- 1,460,223 6/1923 Bird et al. 52/124.1
- 1,507,957 9/1924 Edwards .
- 2,338,035 12/1943 Gerold .
- 2,392,298 1/1946 Thommen .
- 2,448,923 7/1948 Skolnik .
- 2,494,473 1/1950 Dowling .
- 3,164,880 1/1965 Hotchkiss .
- 3,220,080 11/1965 Connelly .
- 3,406,229 10/1968 Cenegy .
- 3,490,114 1/1970 Connelly et al. .
- 3,574,906 4/1971 Rittenhouse .
- 3,729,786 5/1973 Walding .
- 3,879,818 4/1975 Rowland .
- 3,969,798 7/1976 Sahlin .
- 4,044,435 8/1977 Acton .
- 4,123,831 11/1978 Covington .
- 4,151,630 5/1979 Havey .
- 4,156,956 6/1979 Partridge et al. .
- 4,170,054 10/1979 Ruffner et al. .
- 4,176,431 12/1979 Havey, III .

- 4,209,880 7/1980 Lidholm .
- 4,261,083 4/1981 Darby et al. .
- 4,517,713 5/1985 Swallert .
- 4,697,316 10/1987 Semon .
- 4,730,370 3/1988 Elder .
- 4,773,134 9/1988 Kay .
- 4,788,757 12/1988 Bethune et al. .
- 4,891,869 1/1990 Nutting .

(List continued on next page.)

FOREIGN PATENT DOCUMENTS

- 54-110071 8/1979 Japan .
- 62-11667 4 7/1987 Japan .
- 63-88322 6/1988 Japan .
- 2-88629 7/1990 Japan .
- 3-198852 8/1991 Japan .
- 3-88517 9/1991 Japan .
- 4-3729 1/1992 Japan .
- 4-3730 1/1992 Japan .
- 4-22934 2/1992 Japan .
- 4-65534 6/1992 Japan .
- 1145571 3/1969 United Kingdom .
- 1535188 12/1978 United Kingdom .
- 2064485 6/1981 United Kingdom .
- 2114498 8/1983 United Kingdom .

Primary Examiner—Paula A. Mortimer
Attorney, Agent, or Firm—Barnes & Thornburg

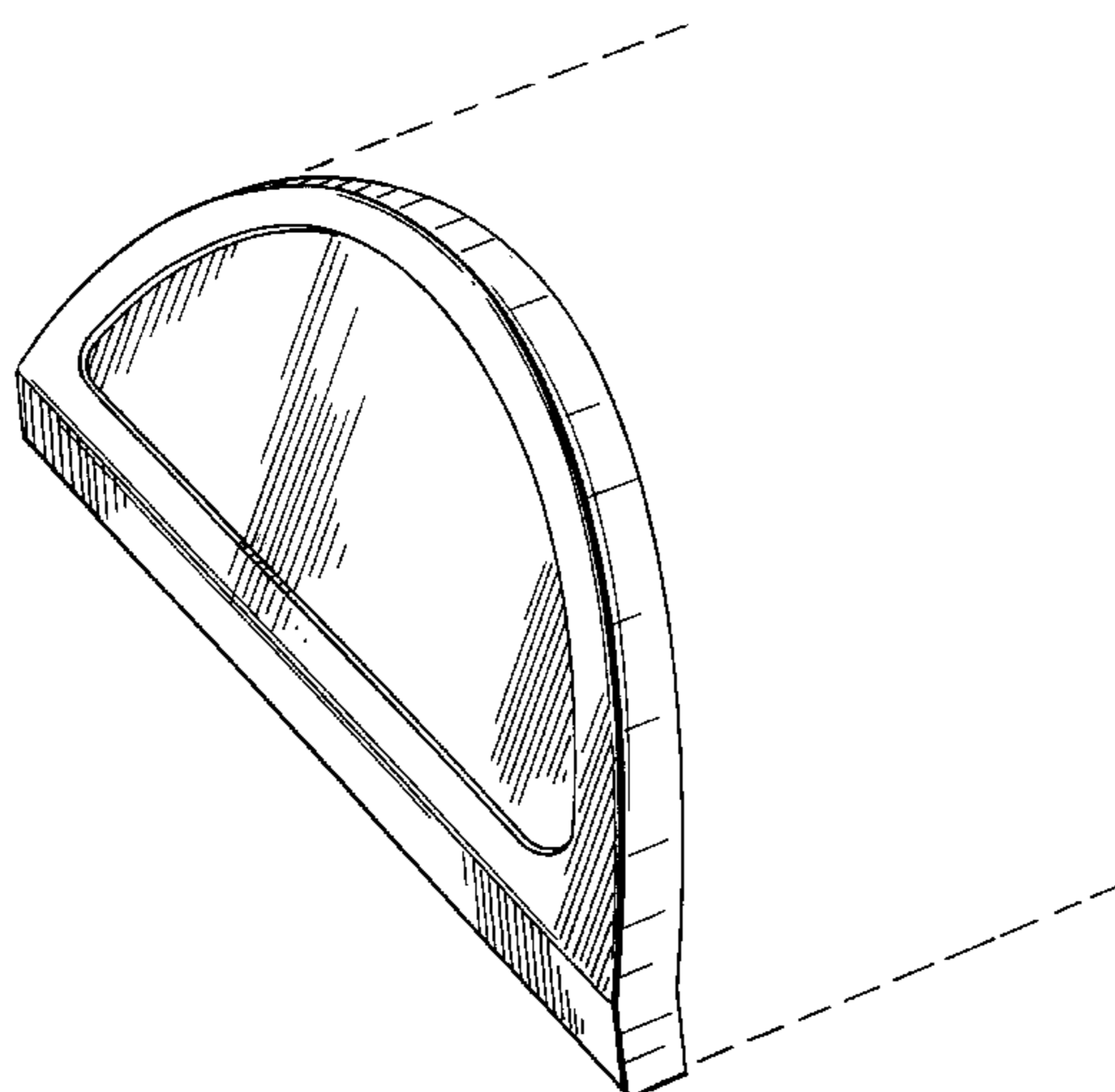
[57] **CLAIM**

The ornamental design for a casket lid end cap, as shown and described.

DESCRIPTION

FIG. 1 is a front perspective view of a casket lid end cap showing my new design;
FIG. 2 is a rear perspective view thereof;
FIG. 3 is a front elevational view thereof;
FIG. 4 is a side elevational view thereof;
FIG. 5 is a top plan view thereof;
FIG. 6 is a rear elevational view thereof; and,
FIG. 7 is a bottom plan view thereof.
The broken lines in FIG. 1 are for illustrative purposes only and form no part of the claimed design.

1 Claim, 2 Drawing Sheets



U.S. PATENT DOCUMENTS

4,902,365	2/1990	Westlake, Sr. .	5,106,668	4/1992	Turner et al. .
4,930,197	6/1990	McClive .	5,111,559	5/1992	Mohr et al. .
4,944,076	7/1990	Kay et al. .	5,231,741	8/1993	Maguire .
4,967,455	11/1990	Elder .	5,245,733	9/1993	Goria .
4,990,391	2/1991	Veta et al. .	5,307,545	5/1994	Stoltz .
5,035,032	7/1991	Nutting .	5,353,484	10/1994	Woedl et al. .
5,041,323	8/1991	Rose et al. .	5,454,141	10/1995	Ozbun et al. .
			5,685,937	11/1997	Tambussi .
			5,770,291	6/1998	Tambussi .

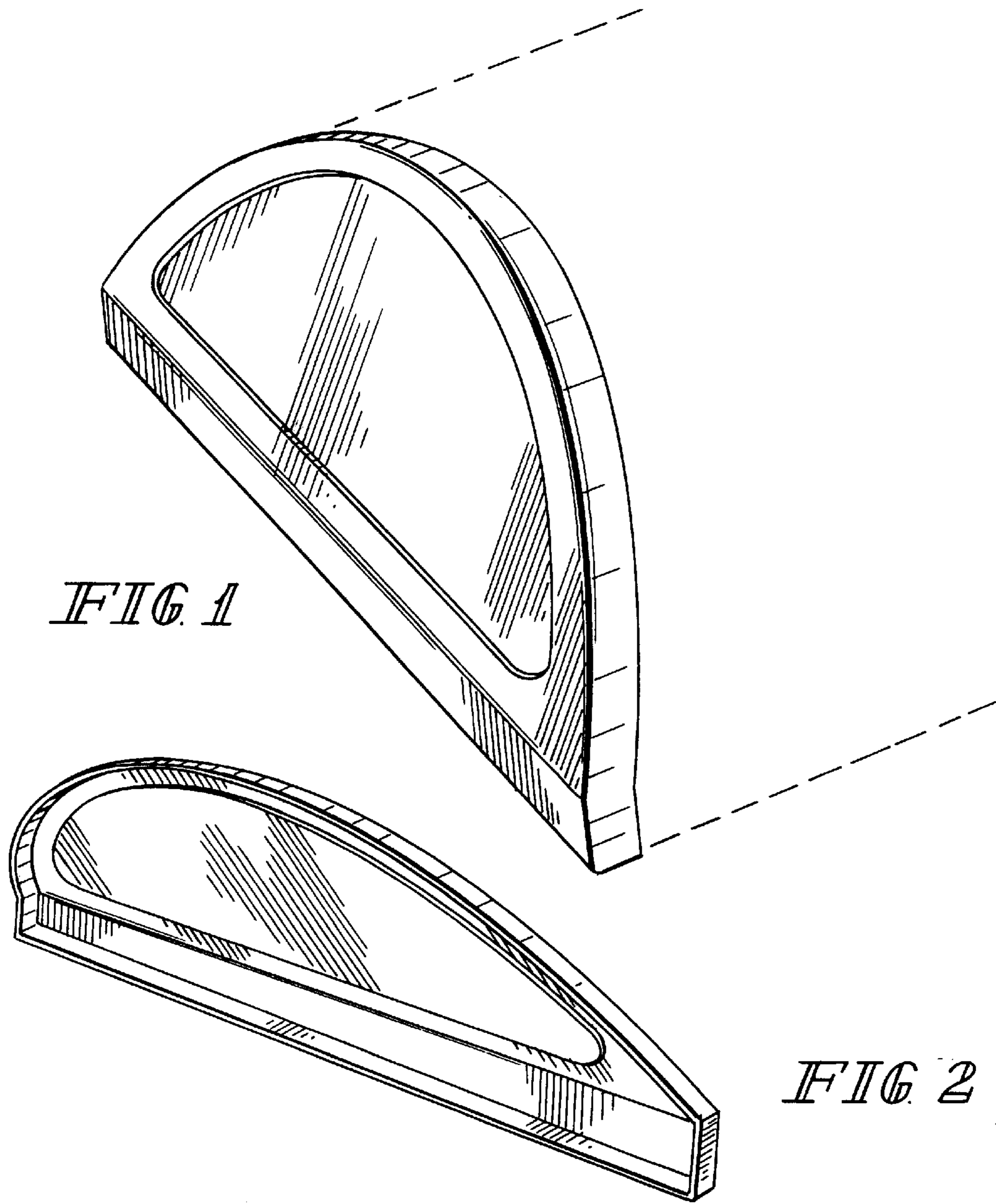


FIG. 1

FIG. 2

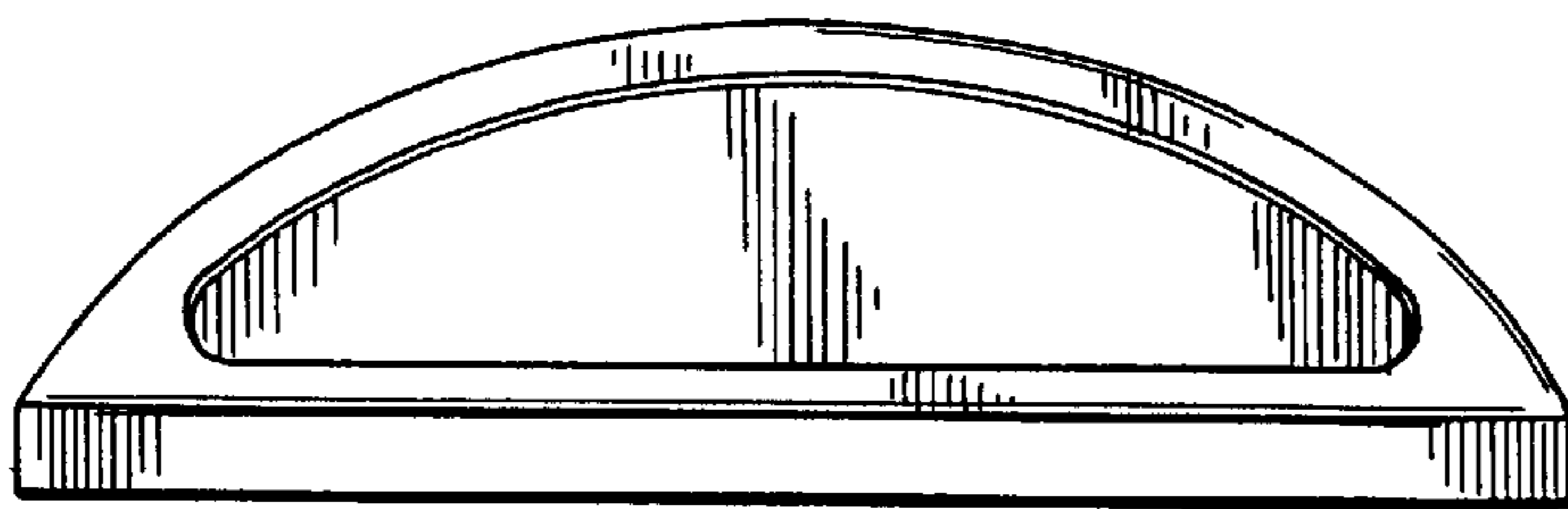


FIG. 3

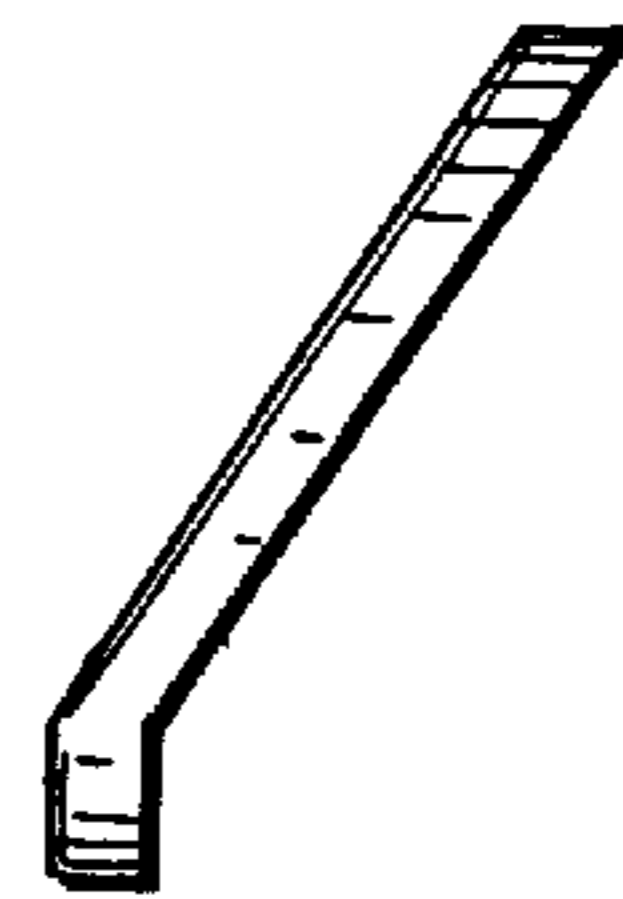


FIG. 4



FIG. 5

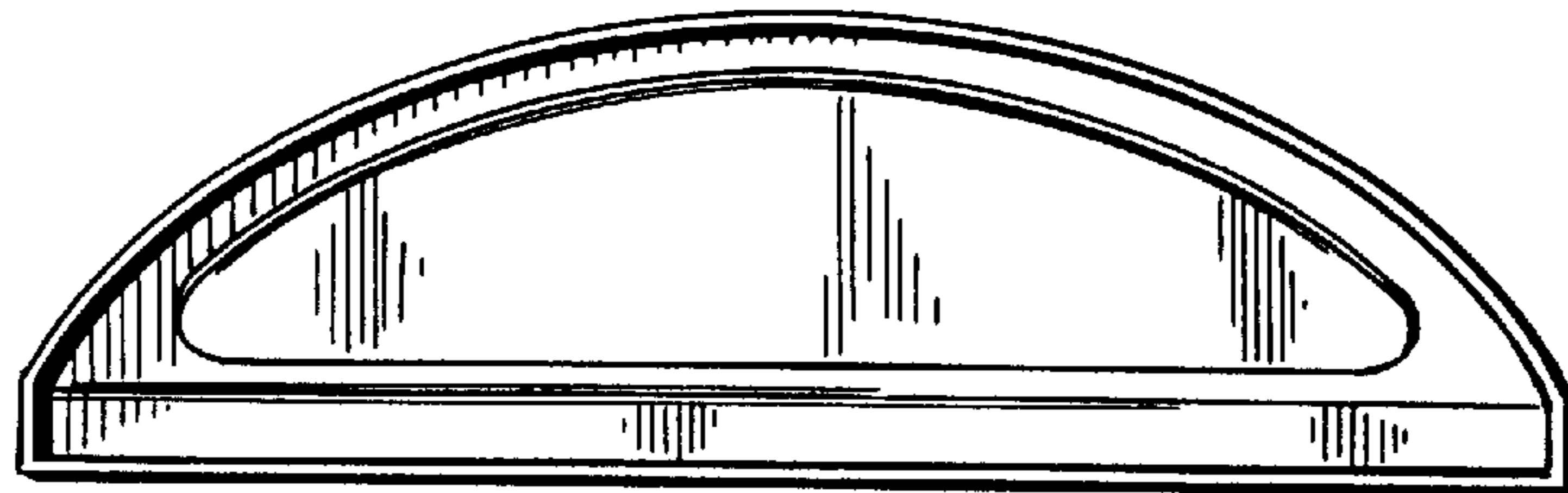


FIG. 6

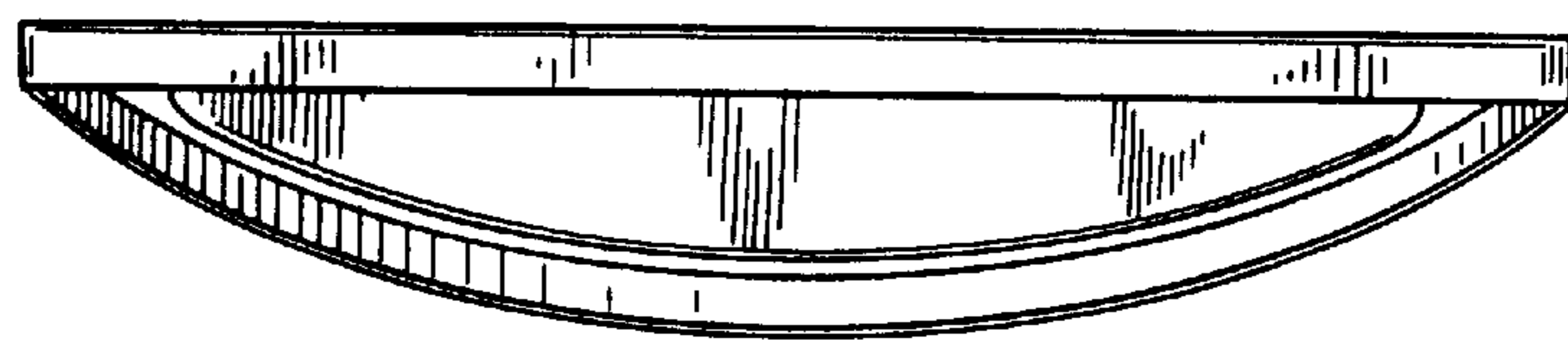


FIG. 7