



US00D405931S

# United States Patent [19] Palmer

[11] **Patent Number: Des. 405,931**

[45] **Date of Patent: \*\*Feb. 16, 1999**

[54] **BEER KEG**

2,936,100 5/1960 Chatlen ..... D34/39 X  
3,143,238 8/1964 Bulgrin ..... D34/39 X  
3,170,586 2/1965 Bulgrin ..... 222/4.04

[75] Inventor: **Anthony Alan Atlee Palmer**, Sunshine Beach, Australia

*Primary Examiner*—Lucy Lieberman  
*Attorney, Agent, or Firm*—Abelman, Frayne & Schwab

[73] Assignee: **South Australian Malting Company Pty Limited**, Sunshine Beach, Australia

[57] **CLAIM**

[\*\*] Term: **14 Years**

The ornamental design for a beer keg, as shown and described.

[21] Appl. No.: **62,451**

**DESCRIPTION**

[22] Filed: **Nov. 15, 1996**

FIG. 1 is a perspective view from above and from one side of the beer keg of the present invention;  
FIG. 2 is a perspective view from below and from the other side of the beer keg of the present invention, as shown in FIG. 1;  
FIG. 3 is a plan view of an end of the beer keg of the present invention, the opposite end view corresponding thereto; and,  
FIG. 4 is a side elevation view of the beer keg of the present invention, the opposite side elevation corresponding thereto.

[51] **LOC (6) Cl.** ..... **09-02**

[52] **U.S. Cl.** ..... **D34/39**

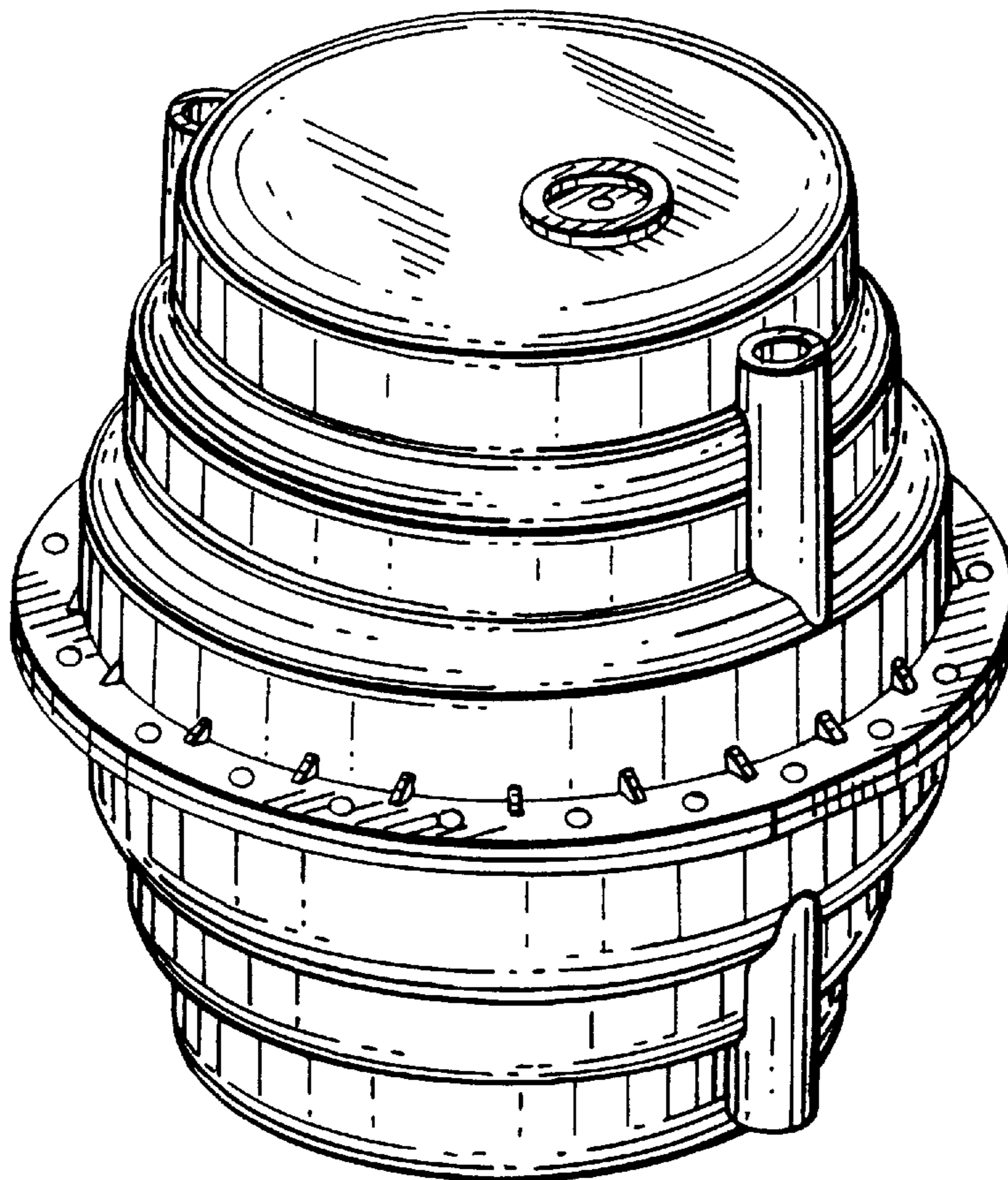
[58] **Field of Search** ..... D34/39; 220/DIG. 1, 220/601, 4.04, 4.06

[56] **References Cited**

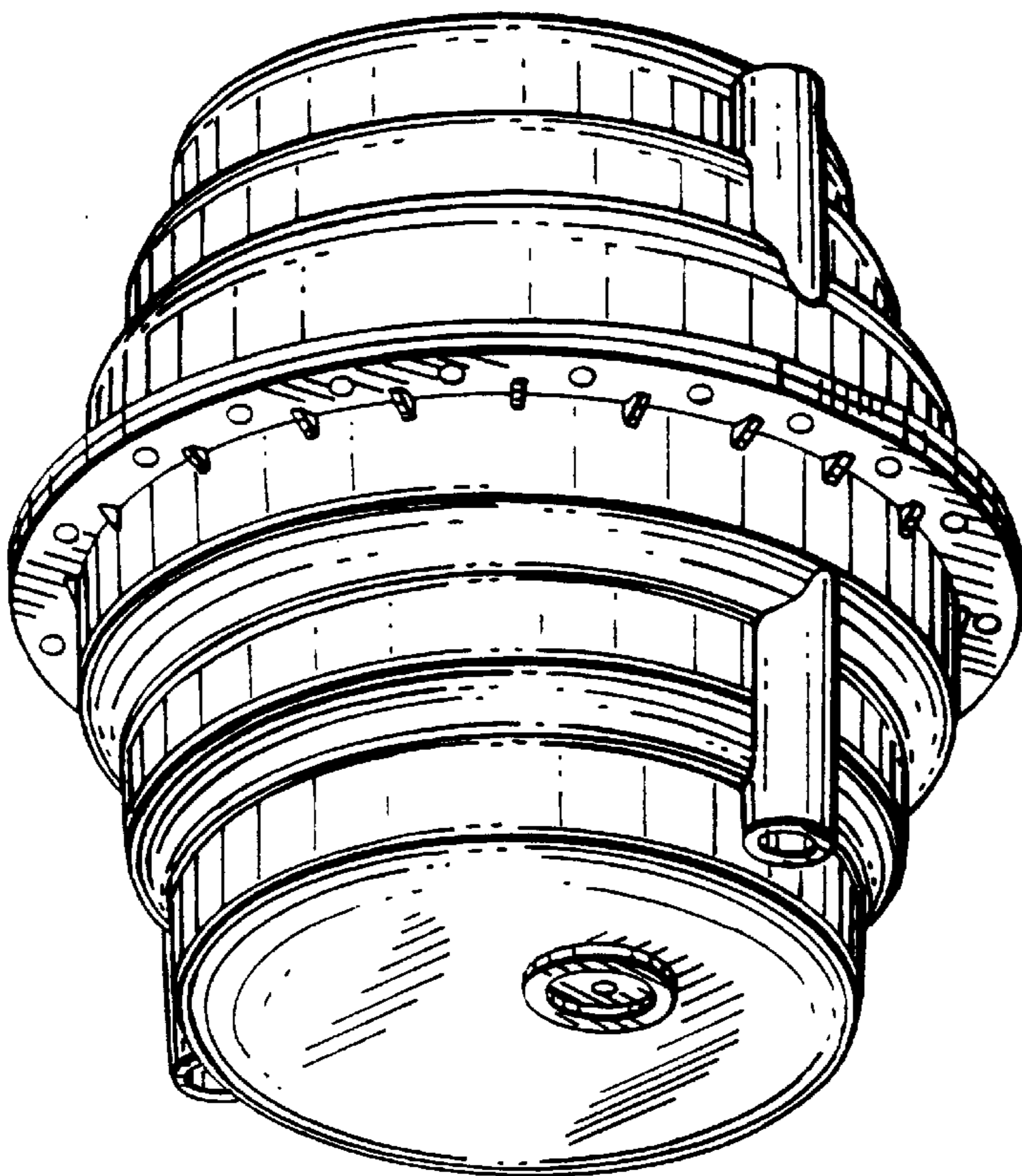
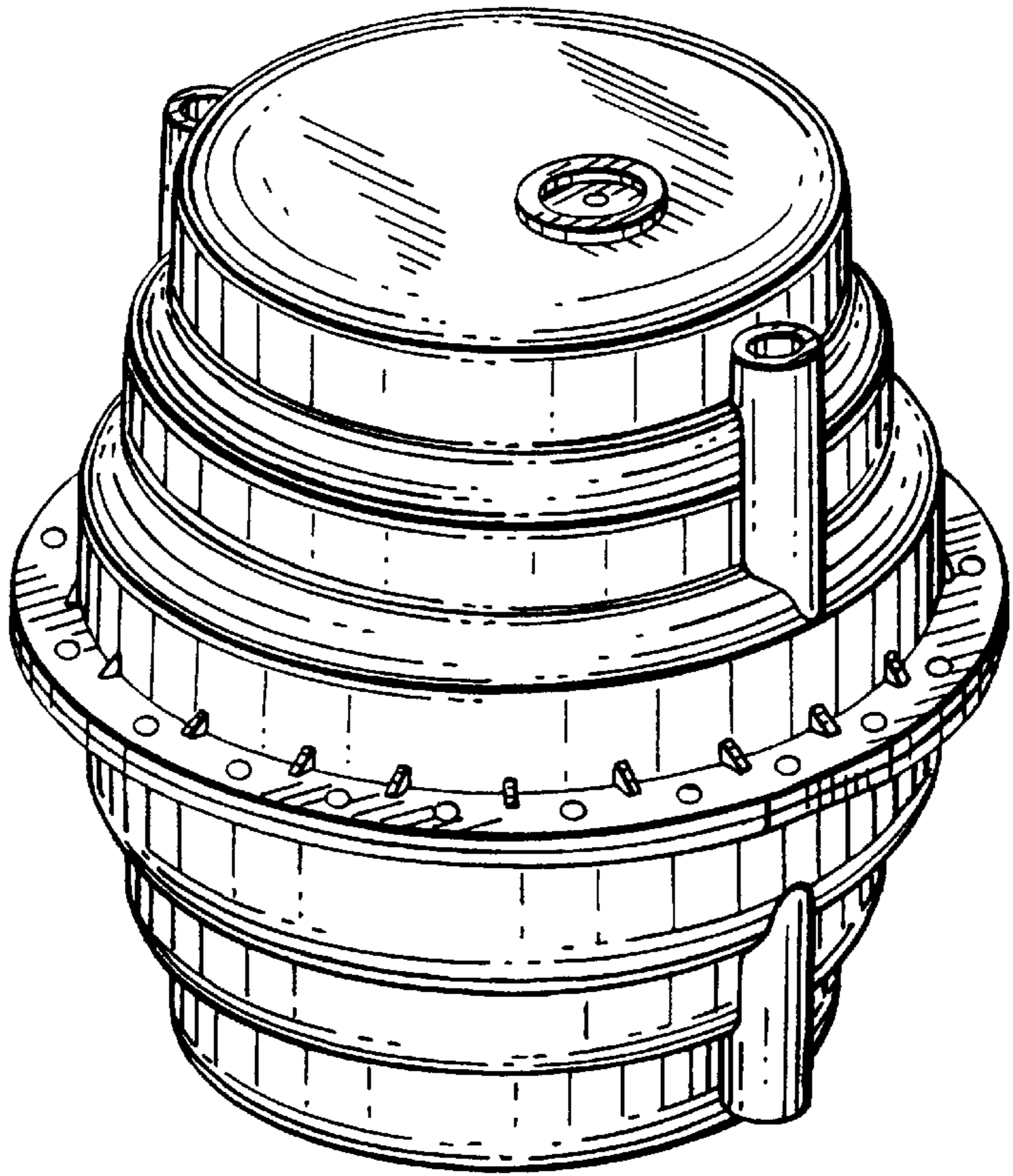
**U.S. PATENT DOCUMENTS**

128,003 6/1872 Wiley ..... 220/4.06  
650,949 6/1900 Phillips ..... 220/DIG. 1 X

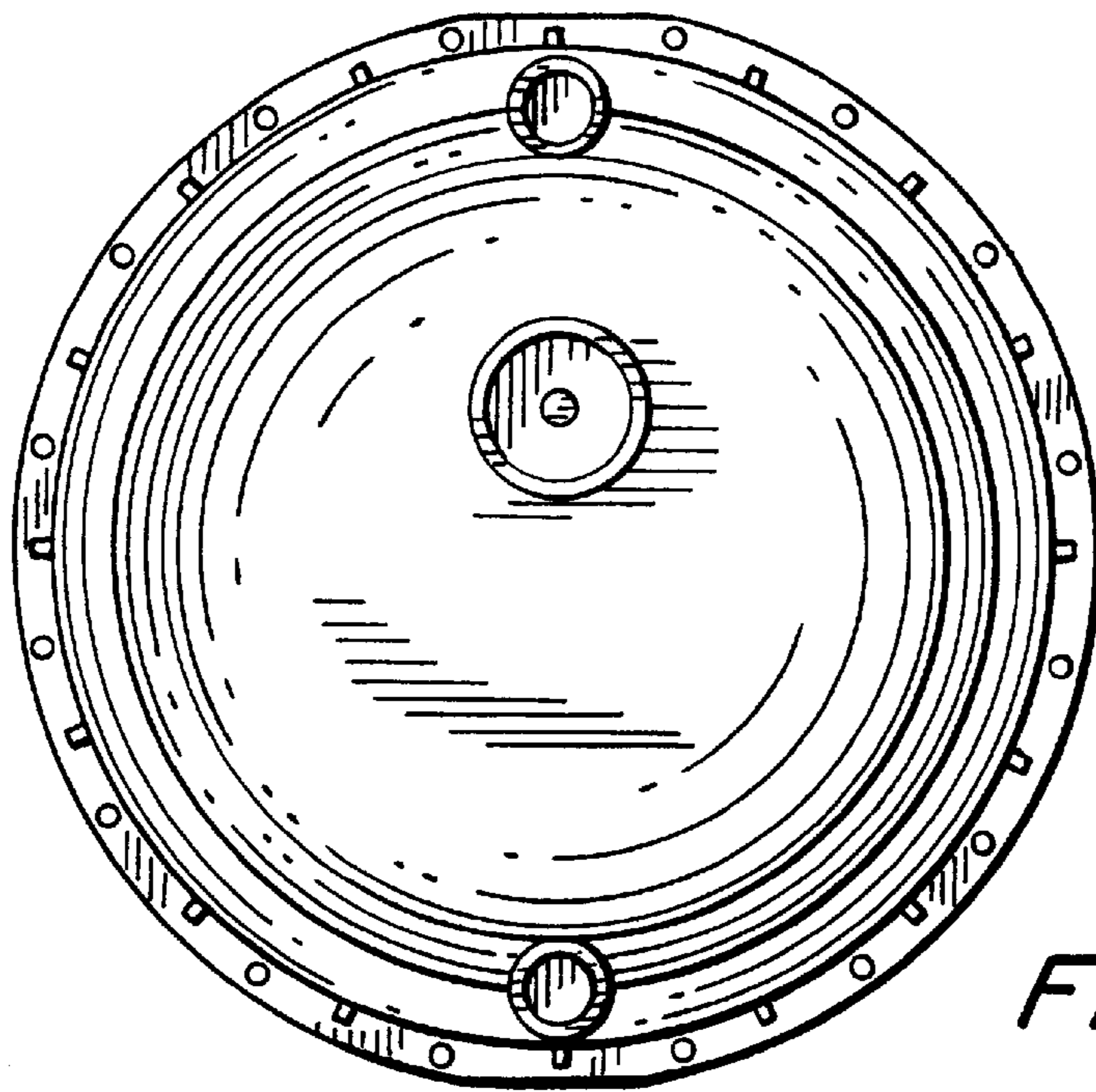
**1 Claim, 2 Drawing Sheets**



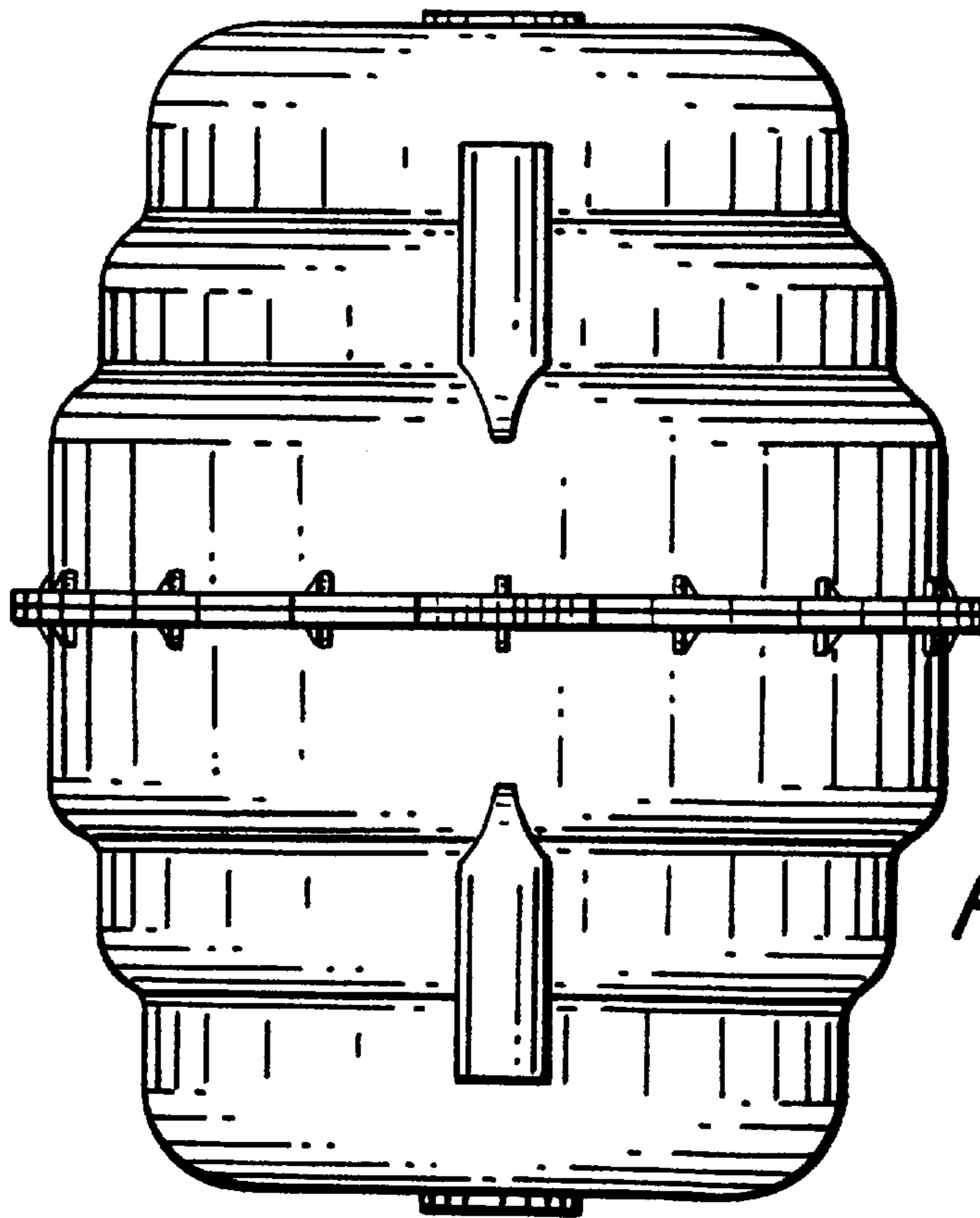
*FIG. 1*



*FIG. 2*



*FIG. 3*



*FIG. 4*