



US00D405929S

United States Patent [19]

Sovis et al.

[11] Patent Number: **Des. 405,929**

[45] Date of Patent: ****Feb. 16, 1999**

[54] **VACUUM CLEANER**

[75] Inventors: **John F. Sovis**, Twinsburg; **Michael F. Wright**, Cuyahoga Falls; **Paul D. Stephens**, Cleveland Heights; **Craig M. Saunders**, Rocky River; **Richard C. Farone**, Wickliffe; **Karen P. Stephenson**; **Jeffrey J. Malish**, both of Willoughby, all of Ohio

[73] Assignee: **Royal Appliance Mfg. Co.**, Cleveland, Ohio

[**] Term: **14 Years**

[21] Appl. No.: **32,250**

[22] Filed: **Dec. 15, 1994**

Related U.S. Application Data

[62] Division of Ser. No. 3,478, Jan. 8, 1993.

[51] **LOC (6) Cl.** **15-05**

[52] **U.S. Cl.** **D32/22**

[58] **Field of Search** D32/18, 21, 22, D32/31-34; 15/323-326, 331-336, 337, 347, 350-351, 361, 377, 412, 413, 415.1

[56] References Cited

U.S. PATENT DOCUMENTS

D. 237,244 10/1975 Williams D32/22

D. 280,033	8/1985	Miyamoto et al.	D32/22
D. 290,894	7/1987	Miyamoto et al.	D32/22
D. 290,895	7/1987	Thomas et al.	D32/22
D. 292,636	11/1987	Goodrich et al.	D32/22
D. 296,486	6/1988	Staubitz et al.	D32/22
D. 301,649	6/1989	Yamamoto et al.	D32/22
D. 303,173	8/1989	Miyamoto et al.	D32/22
D. 306,225	2/1990	Correa	D32/22
D. 307,656	5/1990	Yuen	D32/22
D. 307,657	5/1990	Li	D32/22
D. 328,165	7/1992	Ferrari et al.	D32/22
D. 359,604	6/1995	Sovis et al.	D32/22
D. 370,321	5/1996	Robinette et al.	D32/22

Primary Examiner—Ruth McInroy
Attorney, Agent, or Firm—Fay, Sharpe, Beall, Fagan, Minnich and McKee

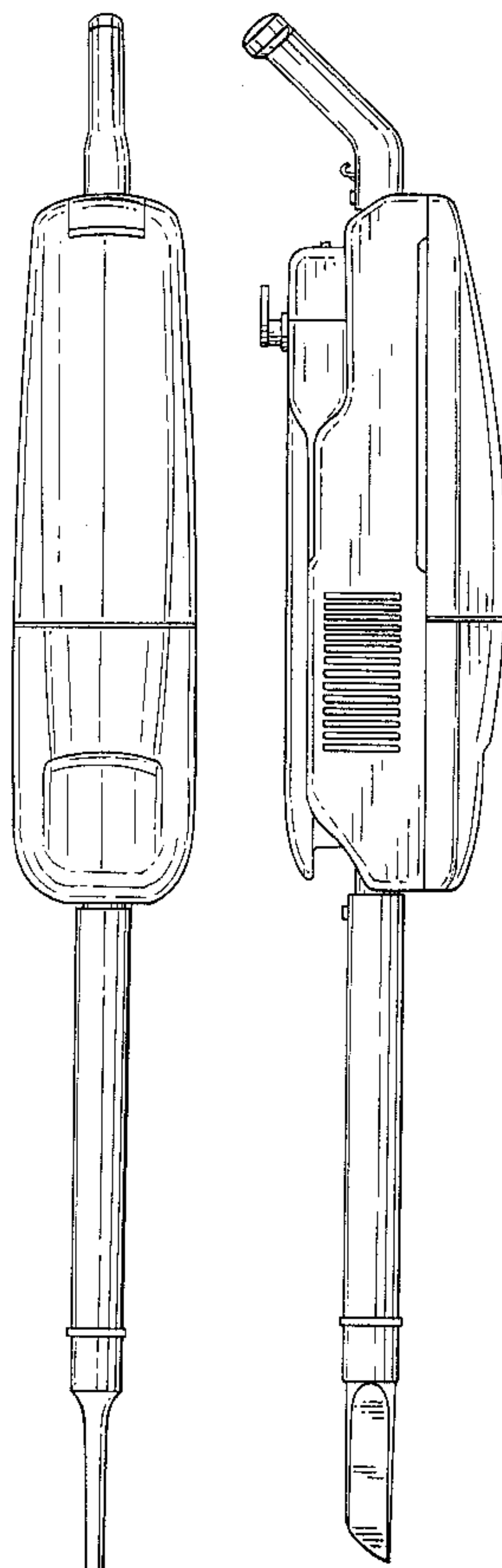
[57] CLAIM

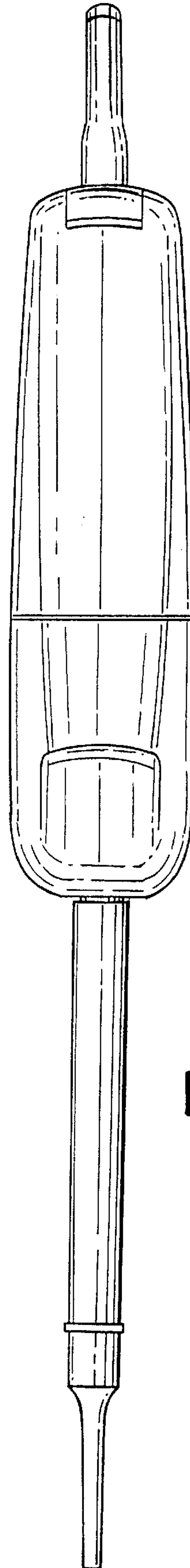
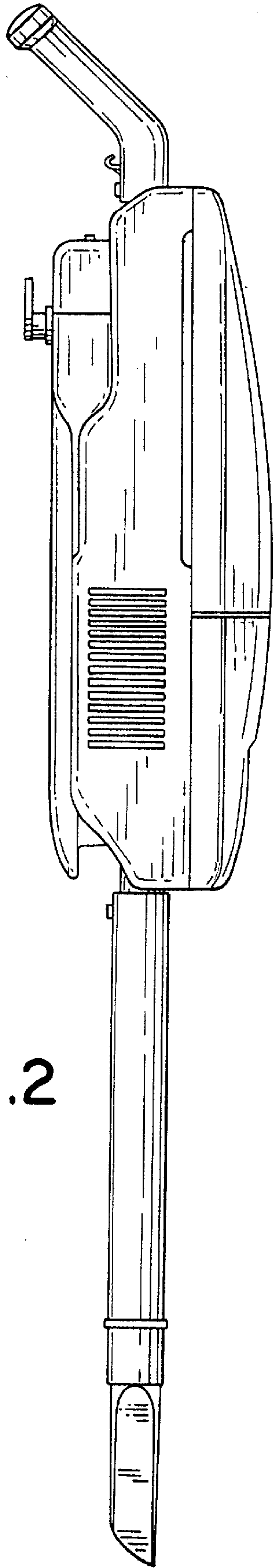
The ornamental design for a vacuum cleaner, as shown.

DESCRIPTION

FIG. 1 is a front elevational view of a vacuum cleaner showing our new design;
FIG. 2 is a left side elevational view thereof;
FIG. 3 is a right side elevational view thereof;
FIG. 4 is a rear elevational view thereof;
FIG. 5 is a top plan view thereof; and,
FIG. 6 is a bottom plan view thereof.

1 Claim, 3 Drawing Sheets





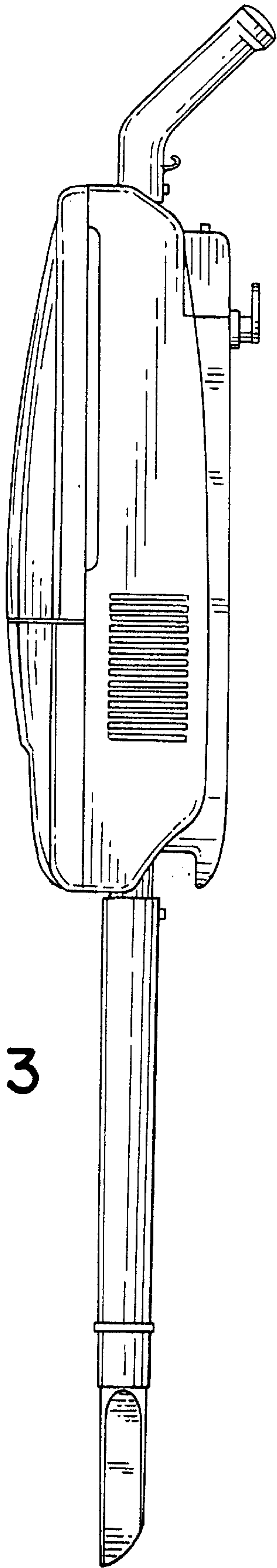


FIG. 3

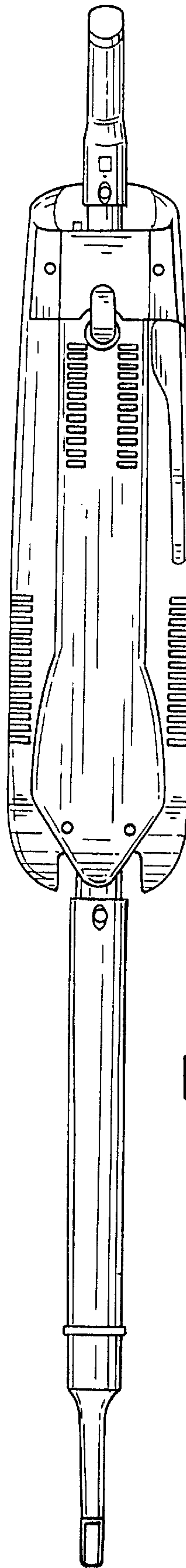


FIG. 4

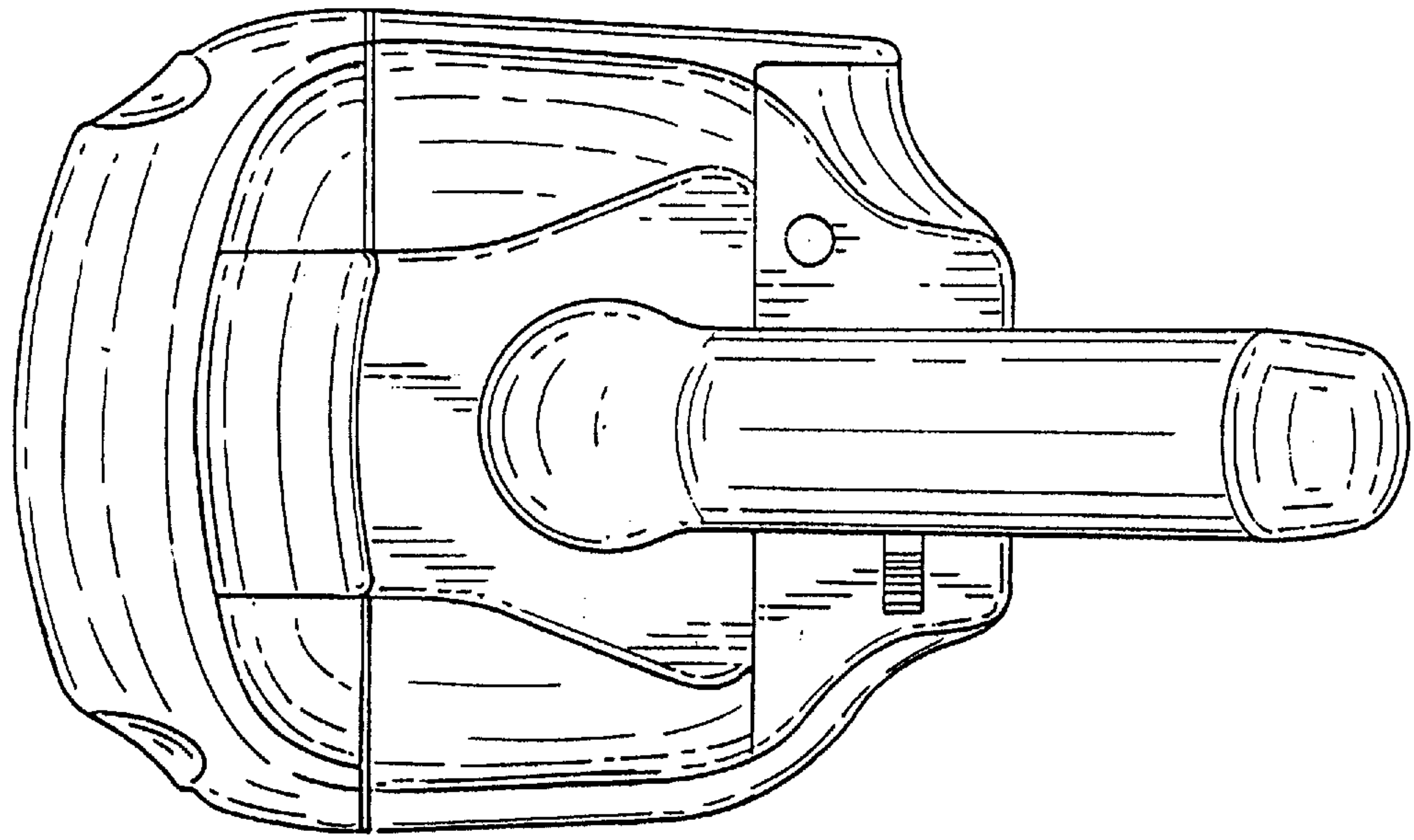


FIG. 5

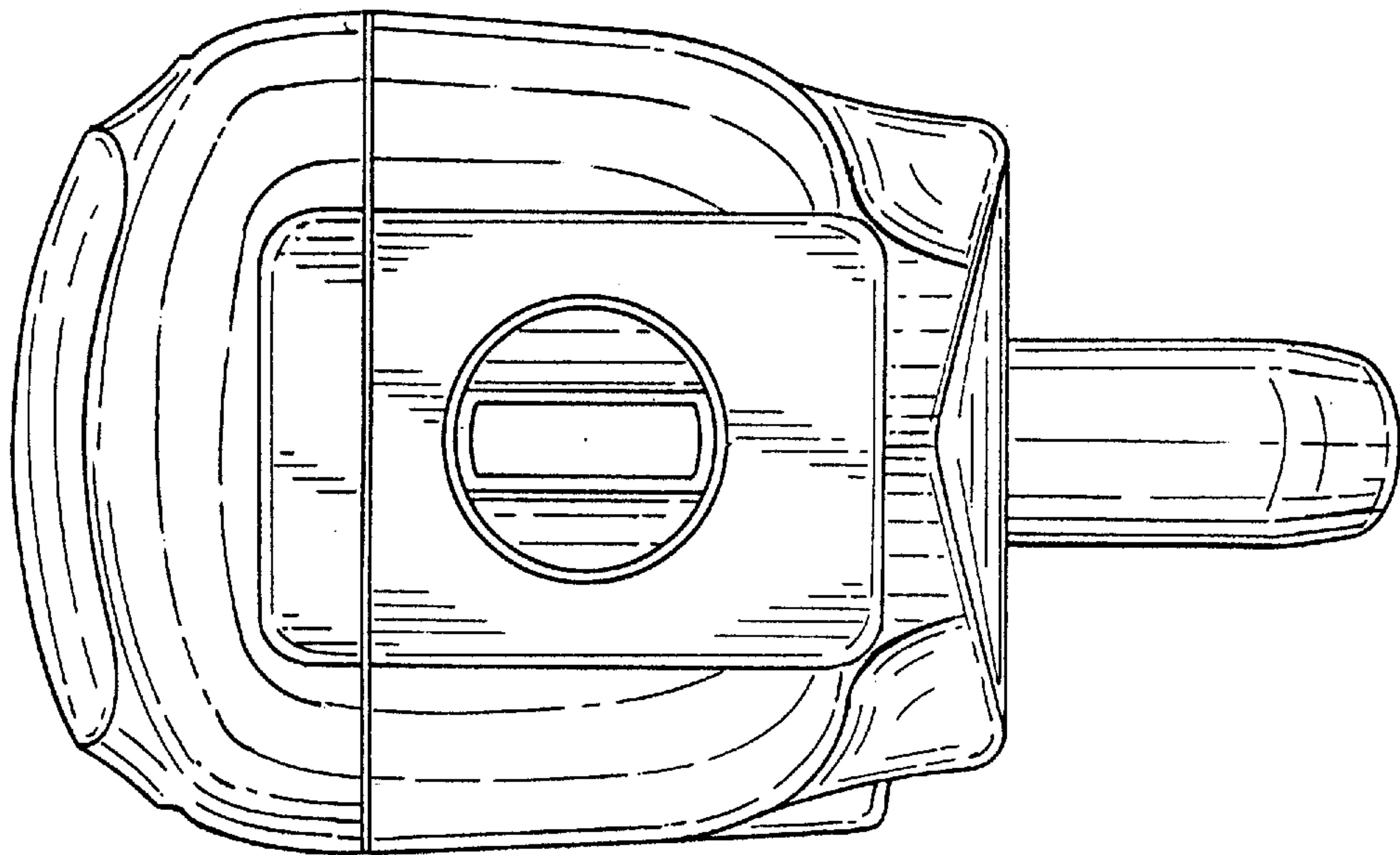


FIG. 6