



US00D405924S

United States Patent [19] Lebherz

[11] **Patent Number: Des. 405,924**
[45] **Date of Patent: **Feb. 16, 1999**

[54] **HAIR CLIPPER**

[75] Inventor: **Robert Lebherz,**
Villingen-Schwenningen, Germany

[73] Assignee: **Moser Elektrogeräte GmbH,**
Unterkirnach, Germany

[**] Term: **14 Years**

[21] Appl. No.: **82,587**

[22] Filed: **Jan. 26, 1998**

[30] Foreign Application Priority Data

Jul. 24, 1997 [XH] Hague Agreement DM/040 878

[51] **LOC (6) Cl. 28-03**

[52] **U.S. Cl. D28/53**

[58] **Field of Search D28/45-54; 30/30,**
30/31, 34.05, 34.1, 34.2, 42, 43, 43.1-43.9,
43.91, 43.92, 196-204, 208-210, 218-220,
221

[56] References Cited

U.S. PATENT DOCUMENTS

- D. 195,952 8/1963 Sanders D28/50
- D. 215,683 10/1969 Carpenter D28/53
- D. 219,902 2/1971 Walton et al. D28/53
- D. 283,060 3/1986 Camens D28/51
- D. 295,684 5/1988 Muller D28/53
- D. 297,375 8/1988 Liu D28/49
- D. 305,466 1/1990 Satoh D28/53
- D. 307,193 4/1990 Nikolaus D28/53
- D. 310,429 9/1990 Anema D28/51

- D. 310,734 9/1990 Gallanis D28/53
- D. 343,025 1/1994 Sulik D28/49
- D. 364,483 11/1995 Elston D28/53
- D. 374,504 10/1996 Wahl D28/49
- 1,471,536 10/1923 Wahl 30/210
- 1,583,207 5/1926 Wahl 30/43.92 X
- 1,596,295 8/1926 Norstrom 30/221
- 1,822,262 9/1931 Apple 30/220
- 1,861,616 6/1932 Wahl 30/201
- 2,959,855 11/1960 Andis 30/208
- 4,383,366 5/1983 Andis 30/221
- 4,658,505 4/1987 Williams 30/47
- 5,325,589 7/1994 Kubo 30/201

FOREIGN PATENT DOCUMENTS

6007558 1/1994 Japan 30/30

Primary Examiner—Ted Shooman

Assistant Examiner—C Tuttle

Attorney, Agent, or Firm—Foley, Hoag & Eliot LLP

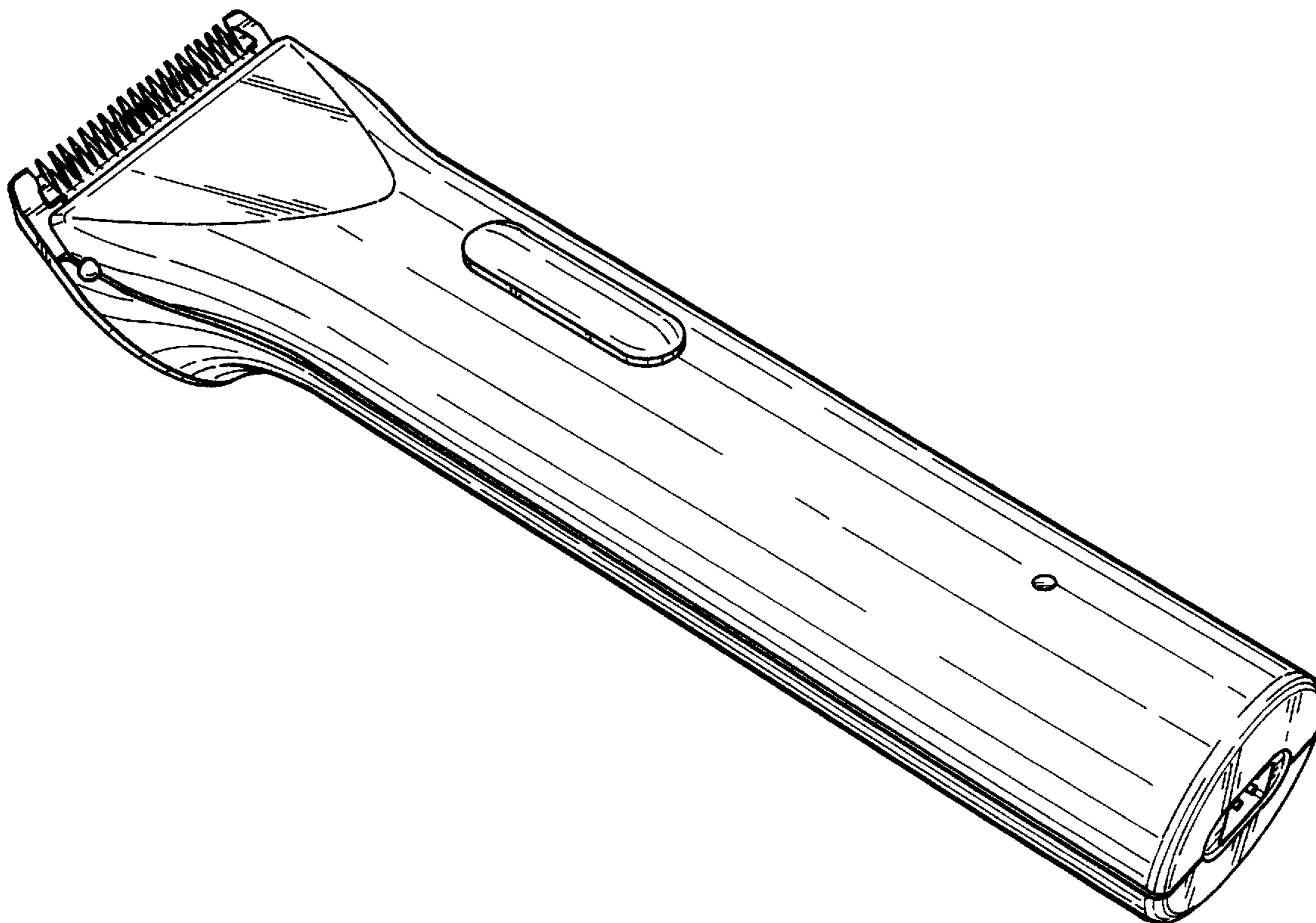
[57] CLAIM

The ornamental design for a hair clipper, as shown and described.

DESCRIPTION

FIG. 1 is a perspective view a of hair clipper showing my new design;
 FIG. 2 is a right side elevational view thereof, the undisclosed opposite side being identical;
 FIG. 3 is a top plan view thereof;
 FIG. 4 is a bottom plan view thereof;
 FIG. 5 is a front end elevational view thereof; and,
 FIG. 6 is a rear end elevational view thereof.

1 Claim, 3 Drawing Sheets



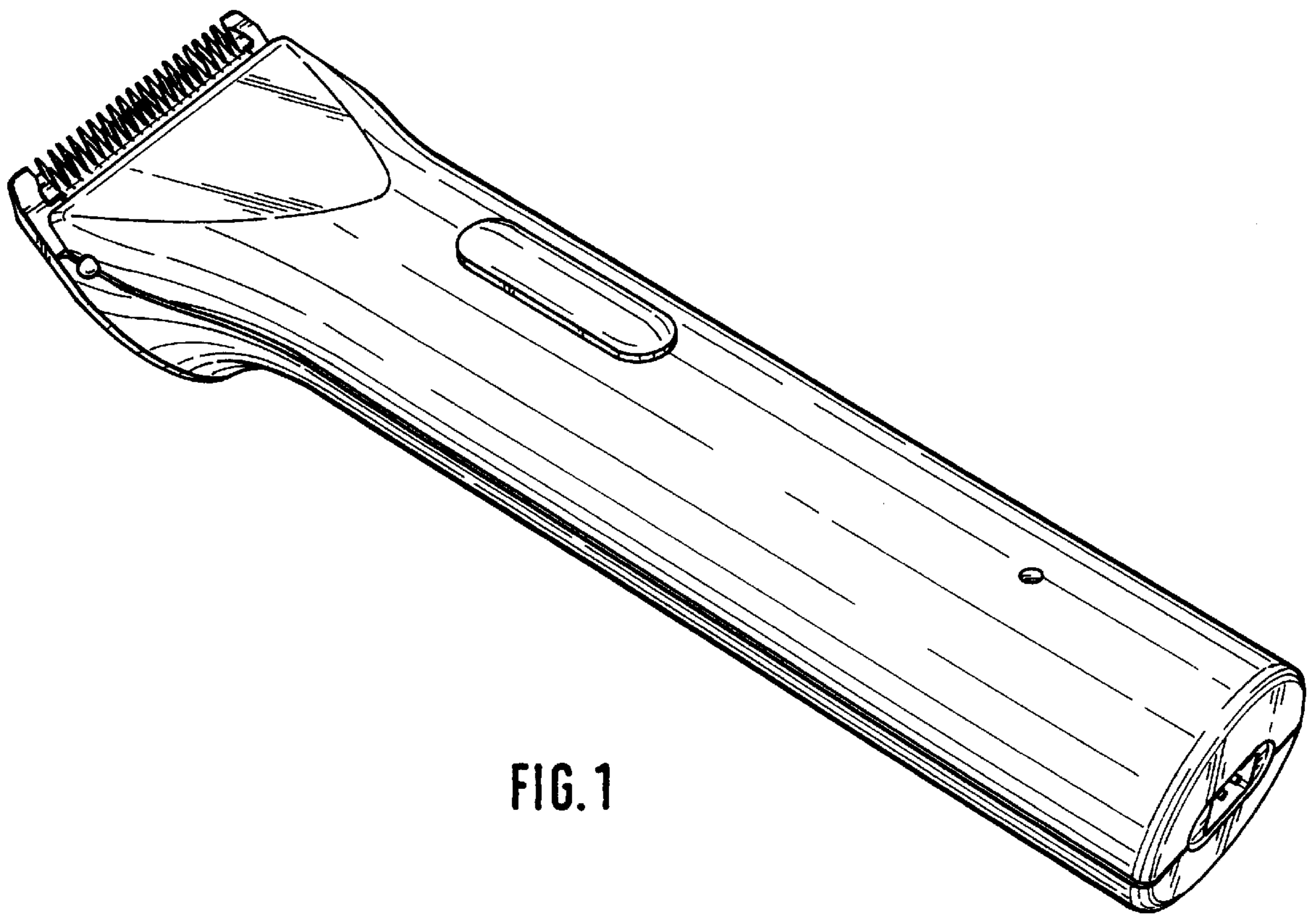


FIG. 1

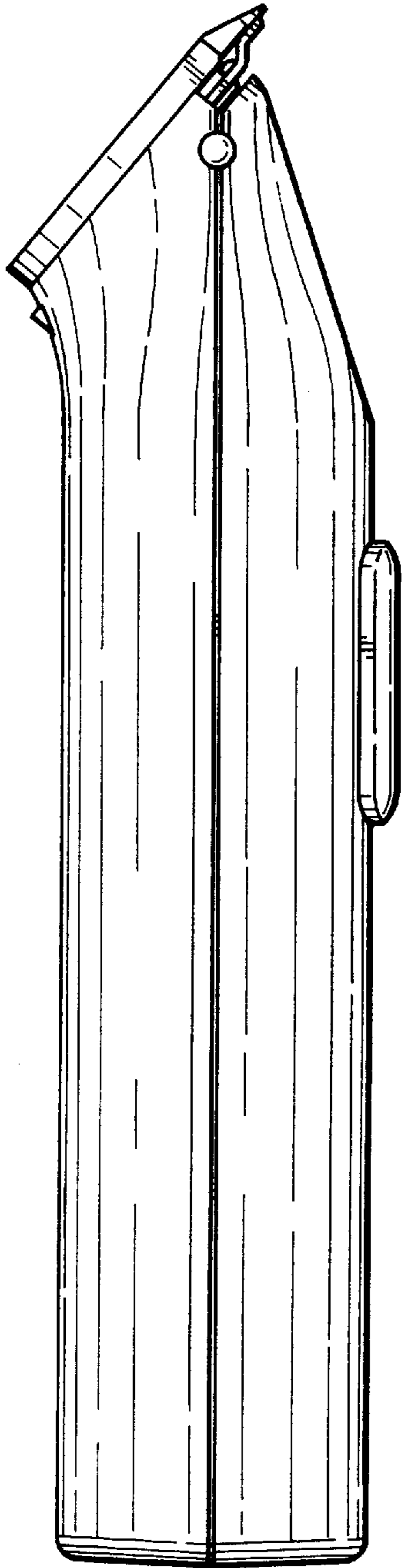


FIG. 2

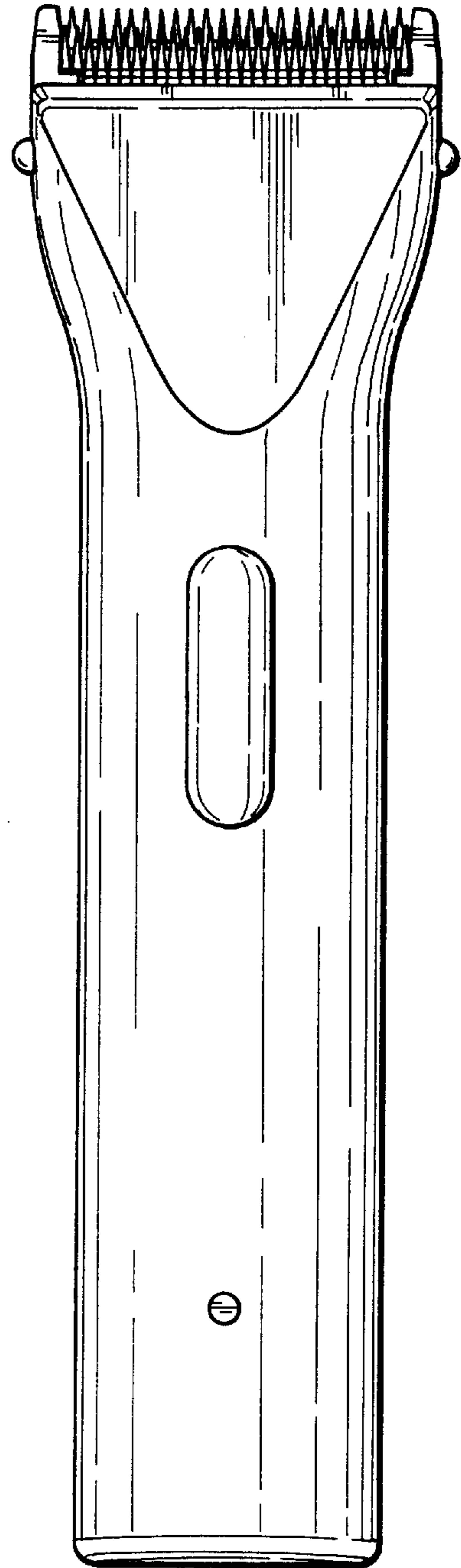


FIG. 3

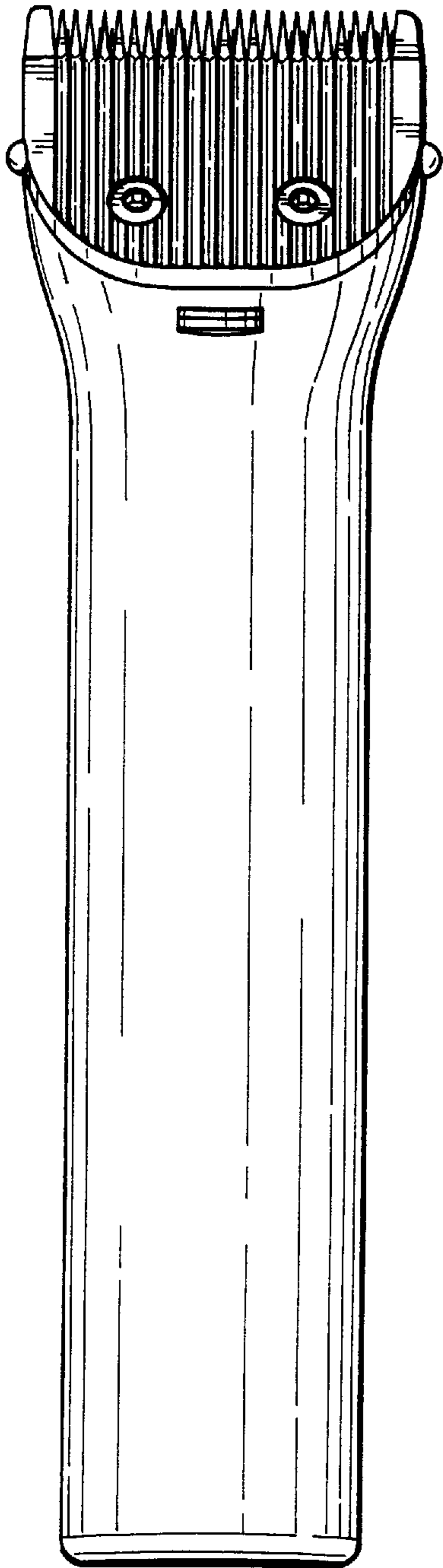


FIG. 4

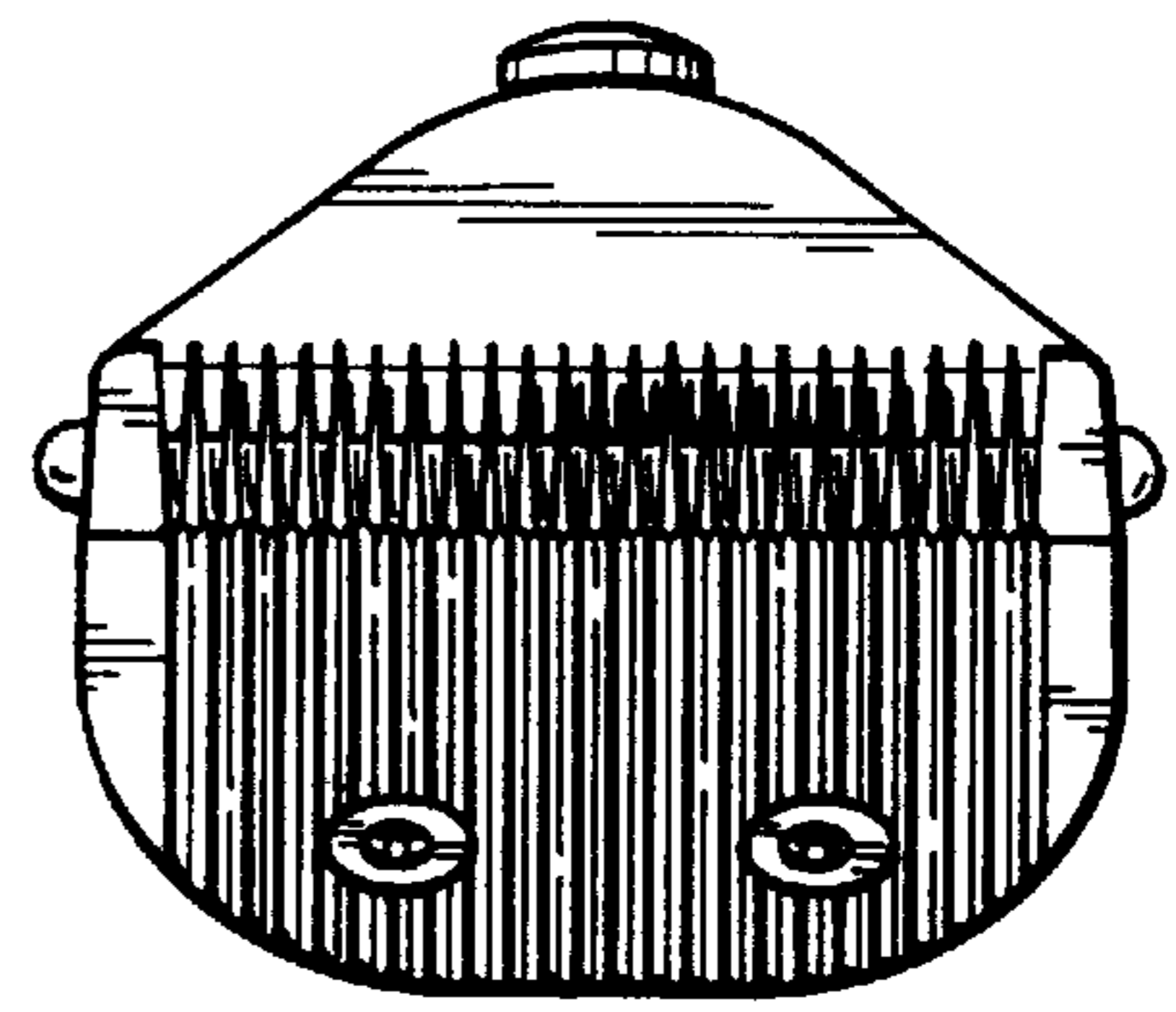


FIG. 5

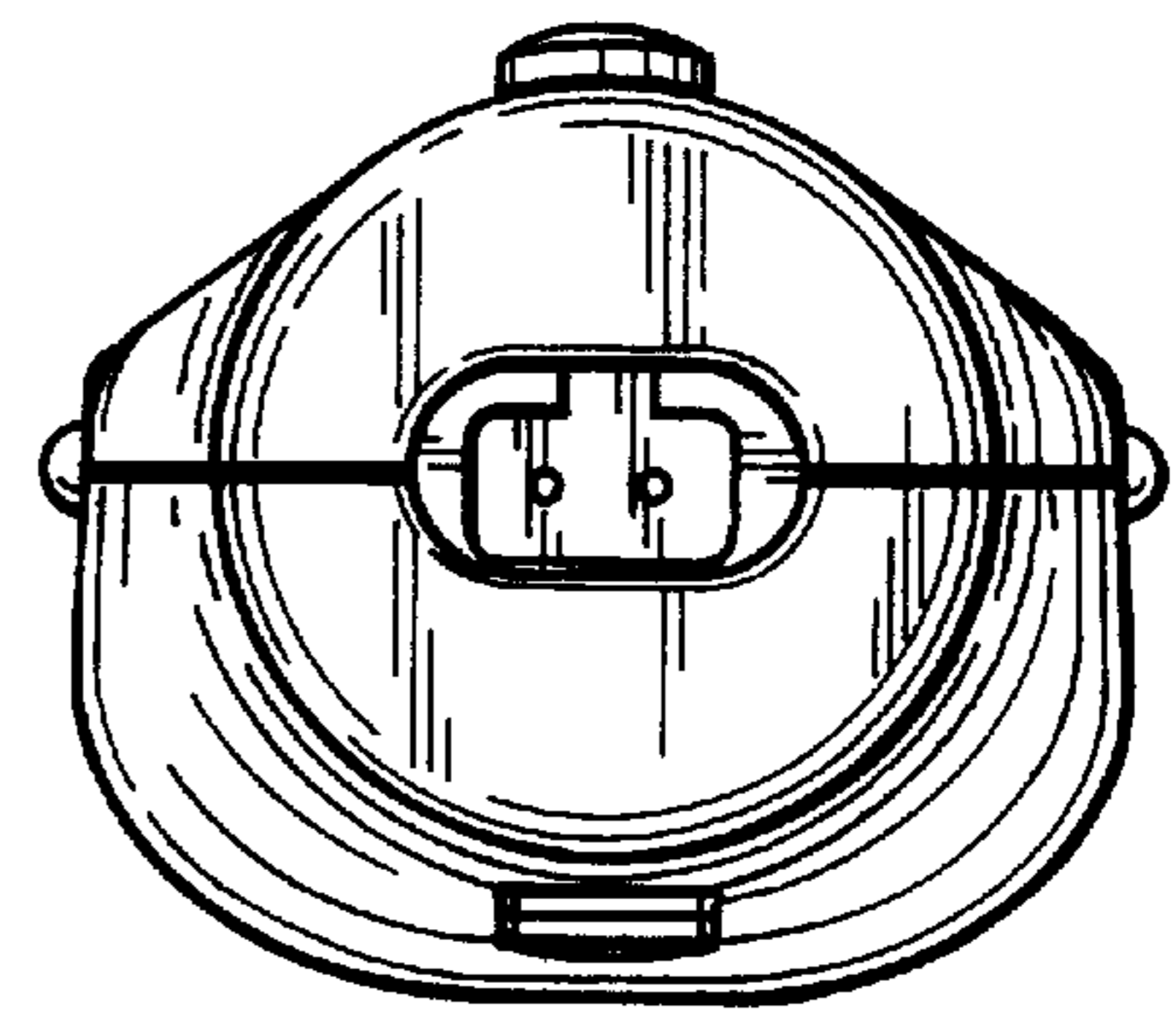


FIG. 6