



US00D405922S

United States Patent [19] Bone

[11] **Patent Number: Des. 405,922**

[45] **Date of Patent: **Feb. 16, 1999**

[54] **SHAVING UNIT WITH SHAVING HEADS**

4,168,570 9/1979 Bakker et al. 30/43.6
4,413,410 11/1983 Otsuka et al. 30/43.6

[75] Inventor: **Martin Bone**, Groningen, Netherlands

FOREIGN PATENT DOCUMENTS

[73] Assignee: **U.S. Philips Corporation**, N.Y.

135063 10/1979 Japan 30/43.6
S58-5116 2/1983 Japan .
S58-5117 3/1983 Japan .
8802418 5/1990 Netherlands 30/43.6

[**] Term: **14 Years**

[21] Appl. No.: **73,538**

[22] Filed: **Jul. 9, 1997**

Primary Examiner—Ted Shooman
Assistant Examiner—C. Tuttle
Attorney, Agent, or Firm—Ernestine C. Bartlett

Related U.S. Application Data

[63] Continuation of Ser. No. 46,270, Nov. 13, 1995, abandoned.

[30] Foreign Application Priority Data

Jun. 29, 1995 [XH] Hague Agreement DMA/002981

[51] **LOC (6) Cl.** **28-03**

[52] **U.S. Cl.** **D28/50**

[58] **Field of Search** D28/50; 30/34.05,
30/34.1, 34.2, 42, 43, 43.1–43.92

[57] CLAIM

The ornamental design for a shaving unit with shaving heads, as shown and described.

DESCRIPTION

FIG. 1 is a front, top, right side, perspective view showing my new design;
FIG. 2 is a front elevational view thereof;
FIG. 3 is a rear elevational view thereof;
FIG. 4 is a right side elevational view thereof;
FIG. 5 is a left side elevational view thereof; and,
FIG. 6 is a top plan view thereof.

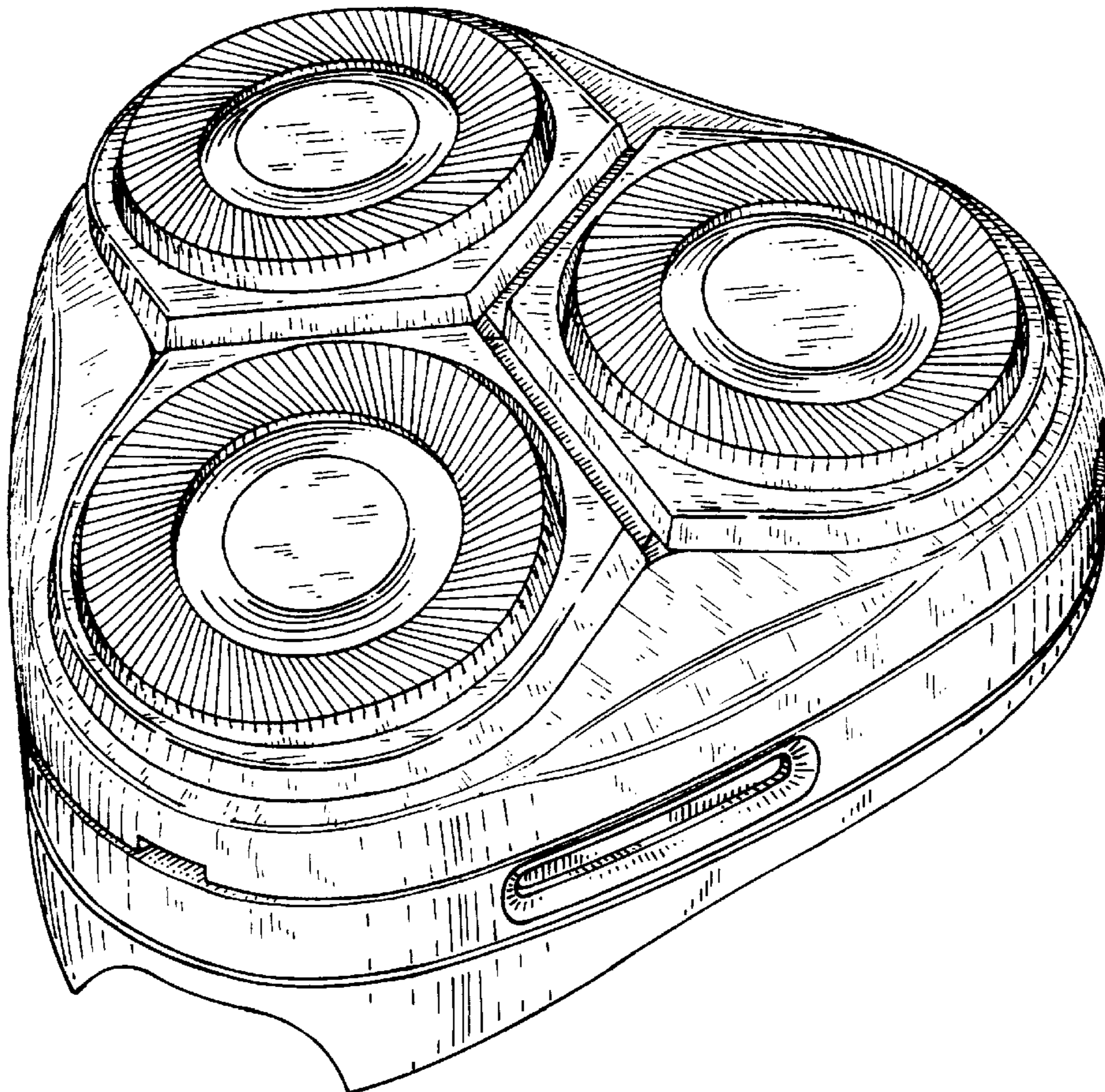
The bottom and inside surfaces of the shaving head form no part of the claimed design, the broken lines illustrating portions thereof being for illustrative purposes only.

[56] References Cited

U.S. PATENT DOCUMENTS

D. 259,965 7/1981 Oord D28/50
D. 270,487 9/1983 Nagelkerhe et al. D28/50
D. 291,499 8/1987 Oord D28/50
D. 306,360 2/1990 Oord et al. D28/50

1 Claim, 4 Drawing Sheets



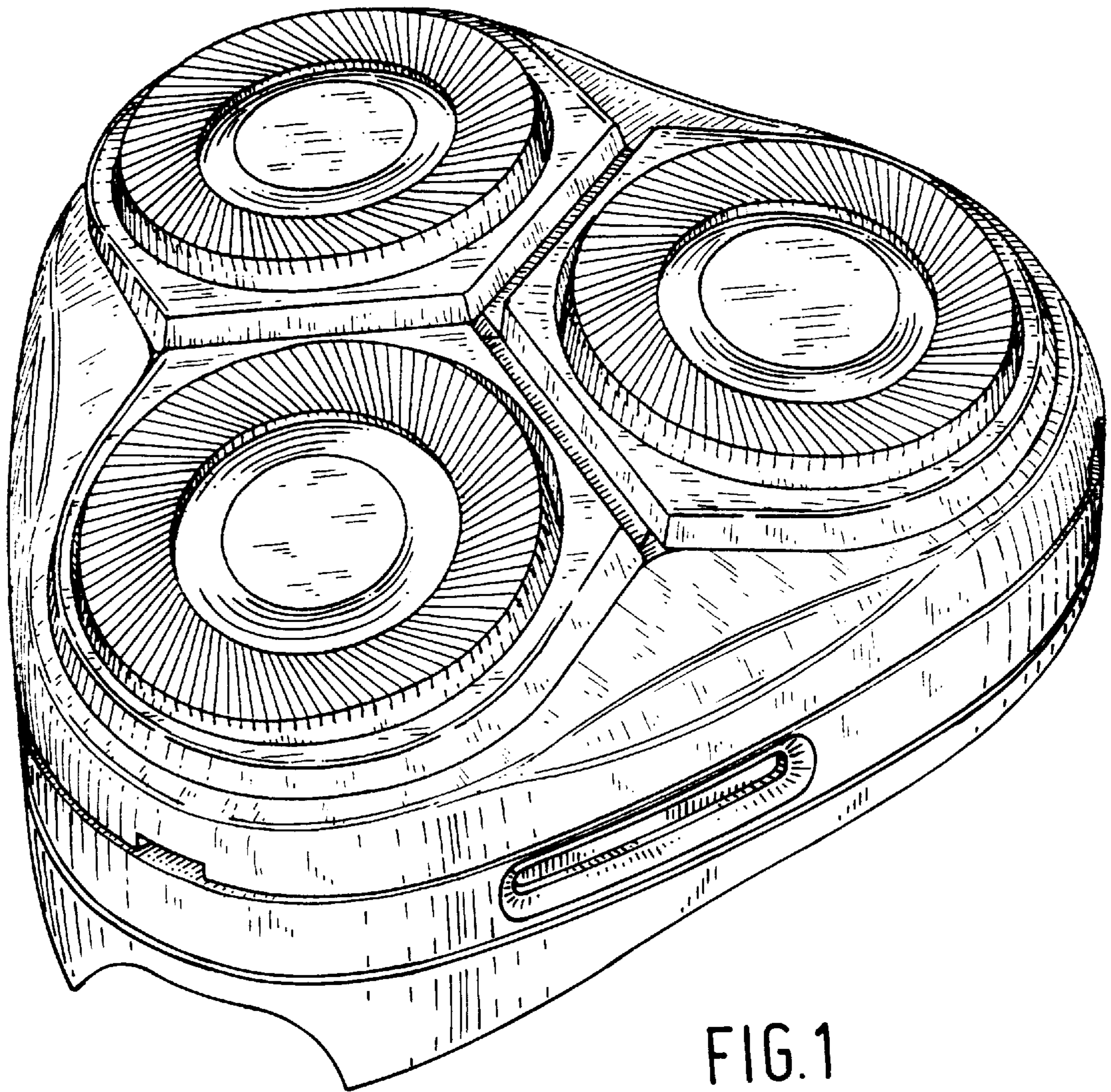


FIG. 1

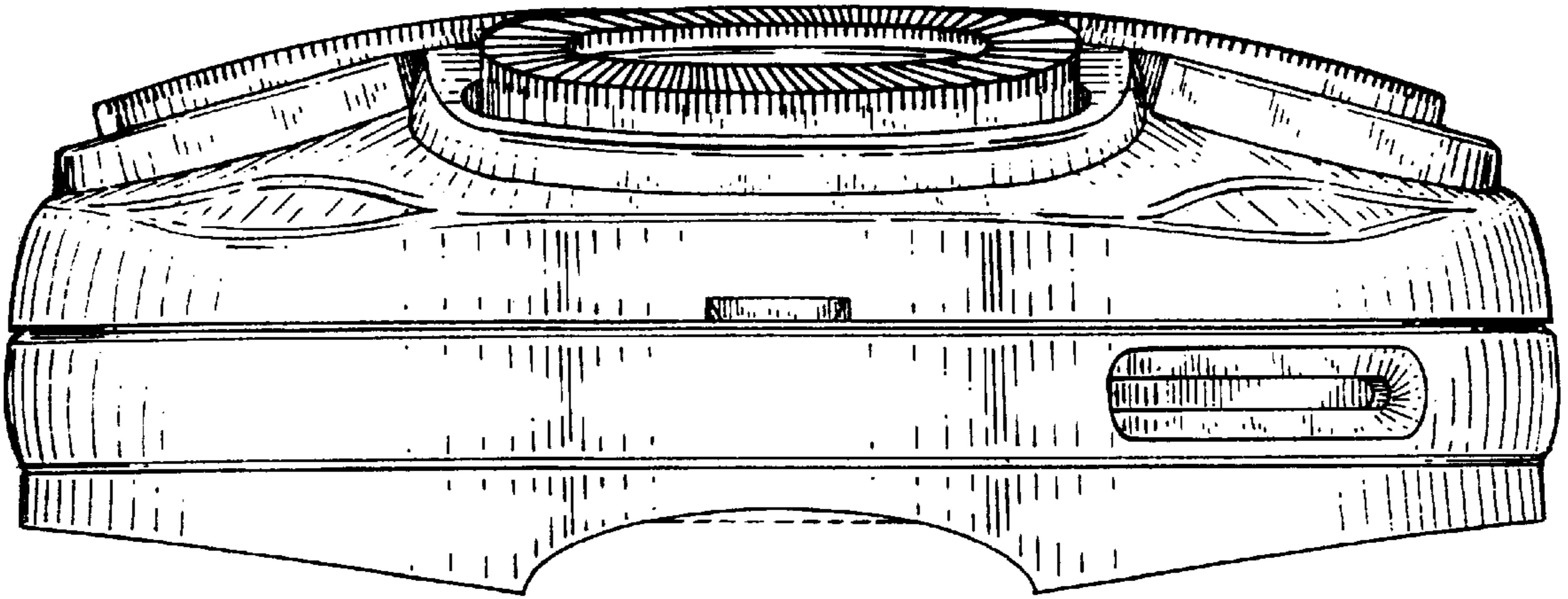


FIG. 2

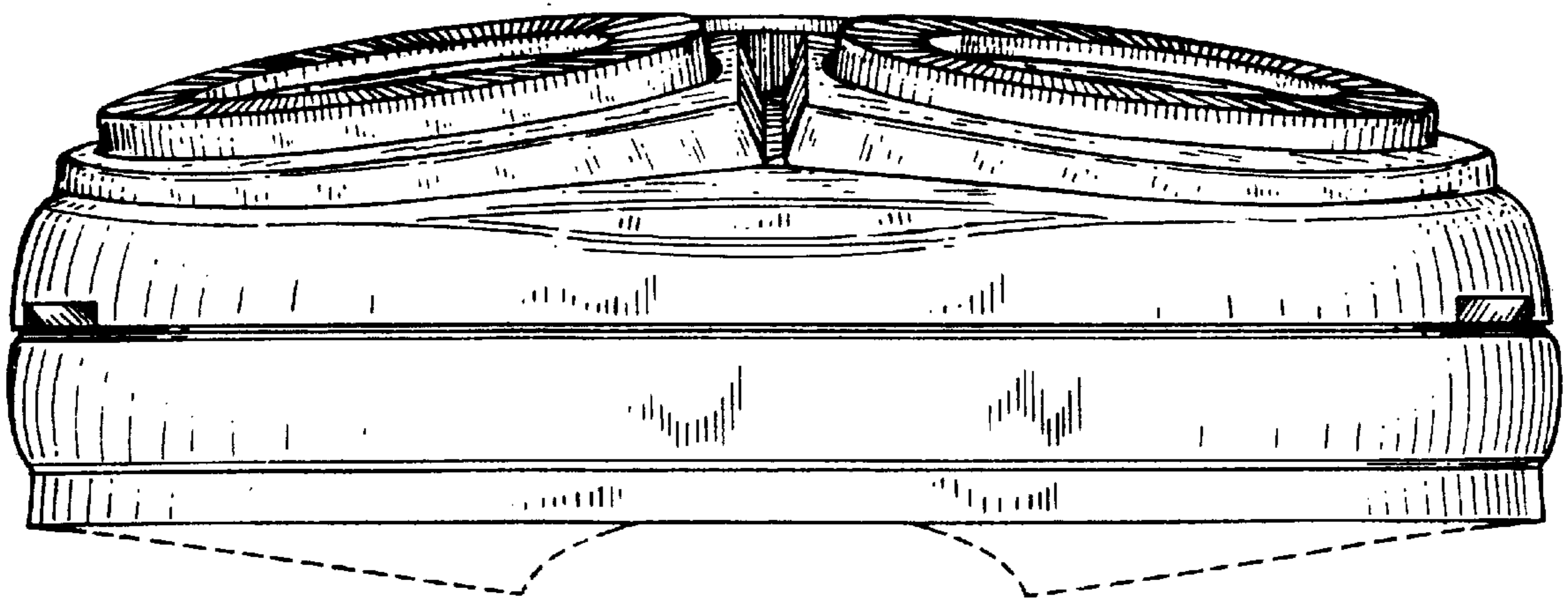


FIG. 3

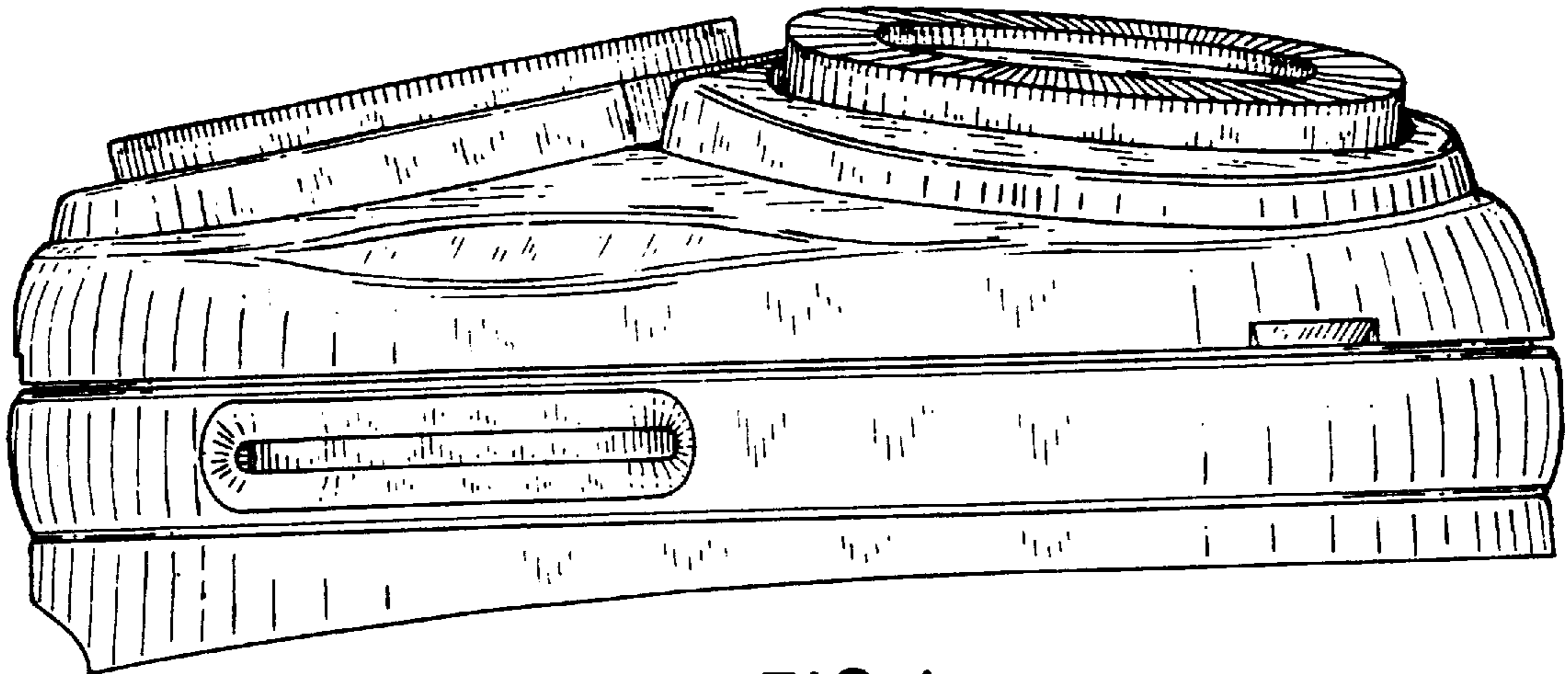


FIG. 4

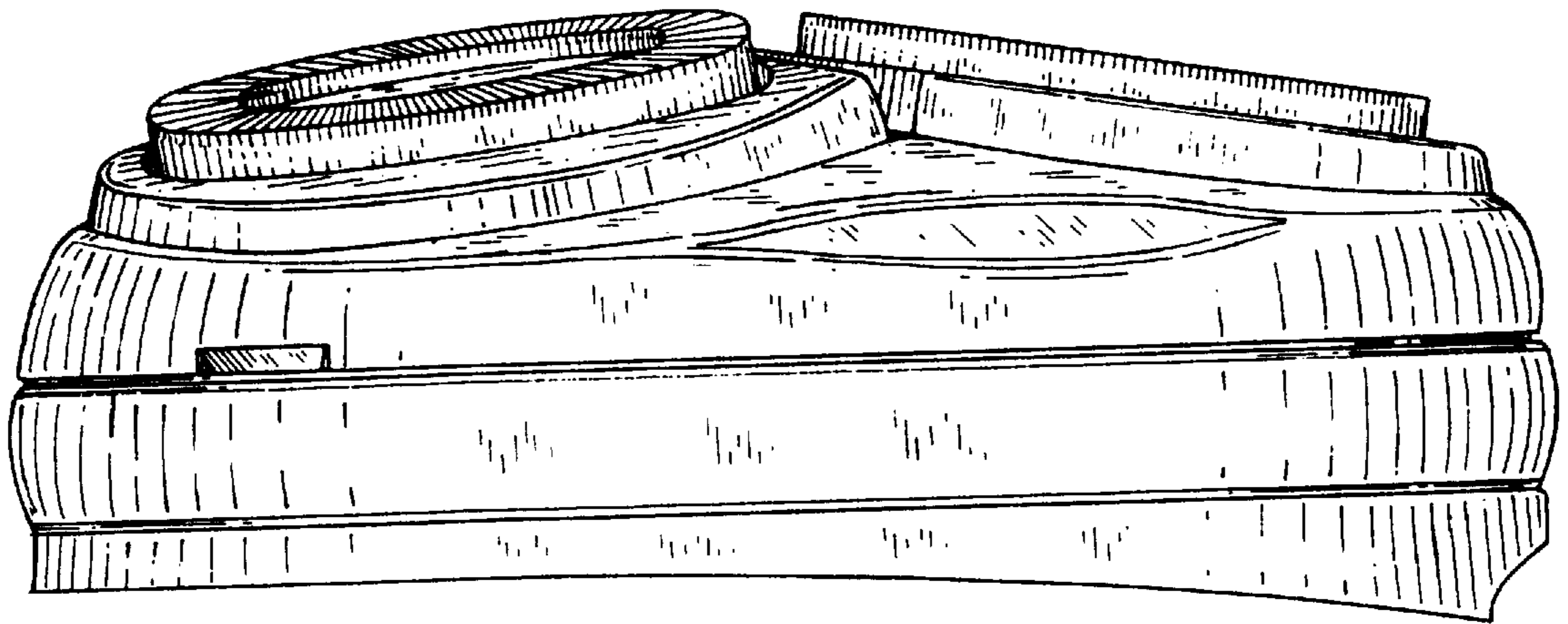


FIG. 5

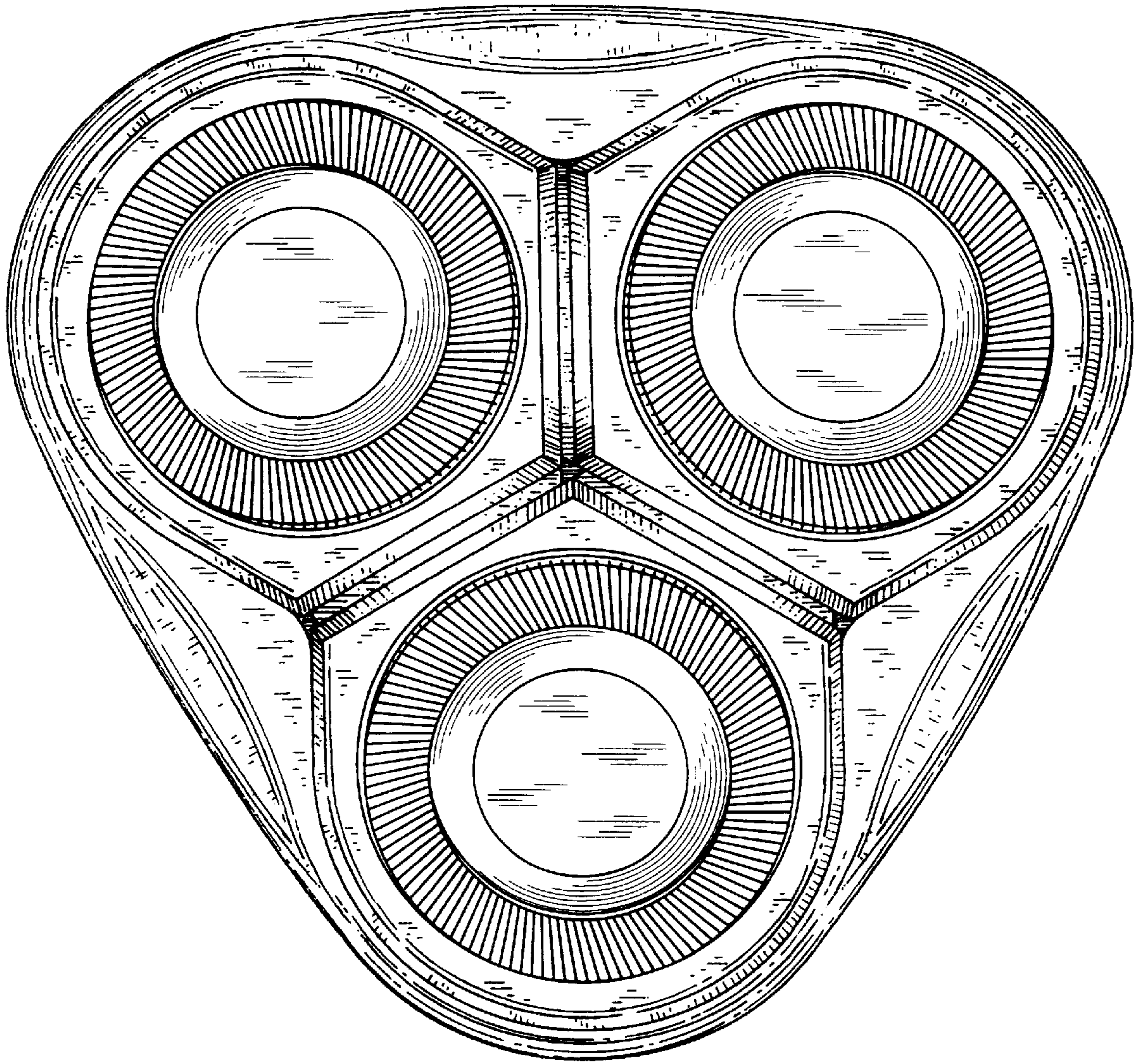


FIG. 6