



US00D405921S

United States Patent [19]

Nakano

[11] Patent Number: **Des. 405,921**

[45] Date of Patent: ****Feb. 16, 1999**

[54] **CUTTER FOR ELECTRIC SHAVER**

[75] Inventor: **Tsuyoshi Nakano**, Matsumoto, Japan

[73] Assignee: **Izumi Products Company**, Nagano, Japan

[**] Term: **14 Years**

[21] Appl. No.: **50,926**

[22] Filed: **Feb. 29, 1996**

D. 294,982	3/1988	Izumi	D28/50
2,824,367	2/1958	McWilliams	30/43.2 X
4,222,168	9/1980	Boiten et al.	30/346.51 X
4,227,301	10/1980	Van Hemmen et al.	30/43.6
5,329,702	7/1994	Uchiyama et al.	30/346.51

Primary Examiner—Philip S. Hyder
Assistant Examiner—C. Tuttle
Attorney, Agent, or Firm—Koda & Androlia

Related U.S. Application Data

[63] Continuation of Ser. No. 15,233, Nov. 10, 1993, abandoned.

Foreign Application Priority Data

Jun. 11, 1993 [JP] Japan 5-17584

[51] **LOC (6) Cl.** **26-02**

[52] **U.S. Cl.** **D28/50**

[58] **Field of Search** D28/44, 50; 30/34.2, 30/43.4–43.6, 346.55, 346.57, 346.51, 347

References Cited

U.S. PATENT DOCUMENTS

D. 288,251	2/1987	Izumi	D28/50
D. 294,981	3/1988	Izumi	D28/50

[57] CLAIM

The ornamental design for a cutter for electric shaver, as shown and described.

DESCRIPTION

FIG. 1 is a front elevational view of a cutter for electric shaver showing my new design; the rear elevational view being a mirror image;

FIG. 2 is a top plan view thereof;

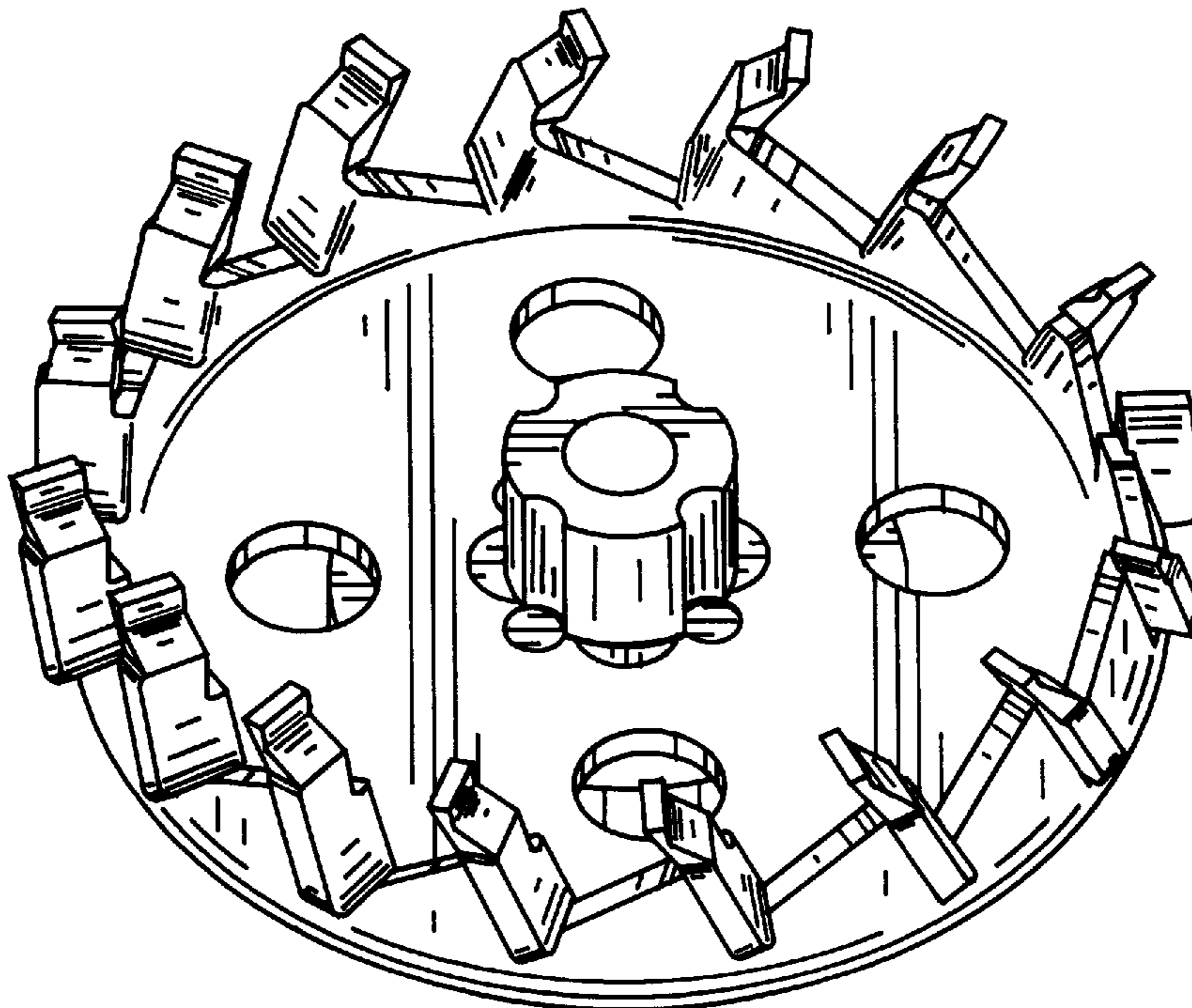
FIG. 3 is a right side elevational view thereof; the left side elevational view being a mirror image;

FIG. 4 is a bottom plan view thereof;

FIG. 5 is an isometric view seen from the top thereof; and, FIG. 6 is an isometric view of the bottom thereof.

The unshaded areas inside the central circular outline on the top surface and the rectangular outline on the bottom surface form no part of the claimed design.

1 Claim, 3 Drawing Sheets



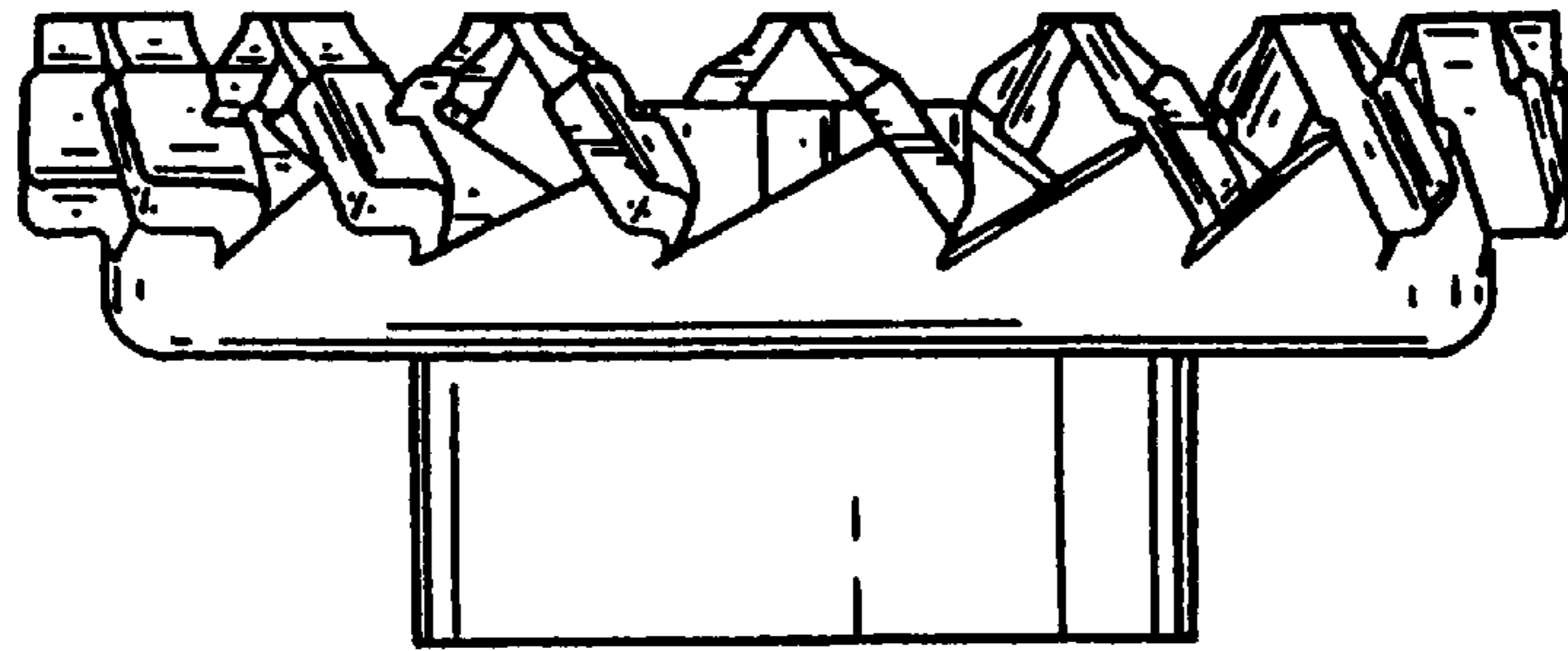


FIG. 1

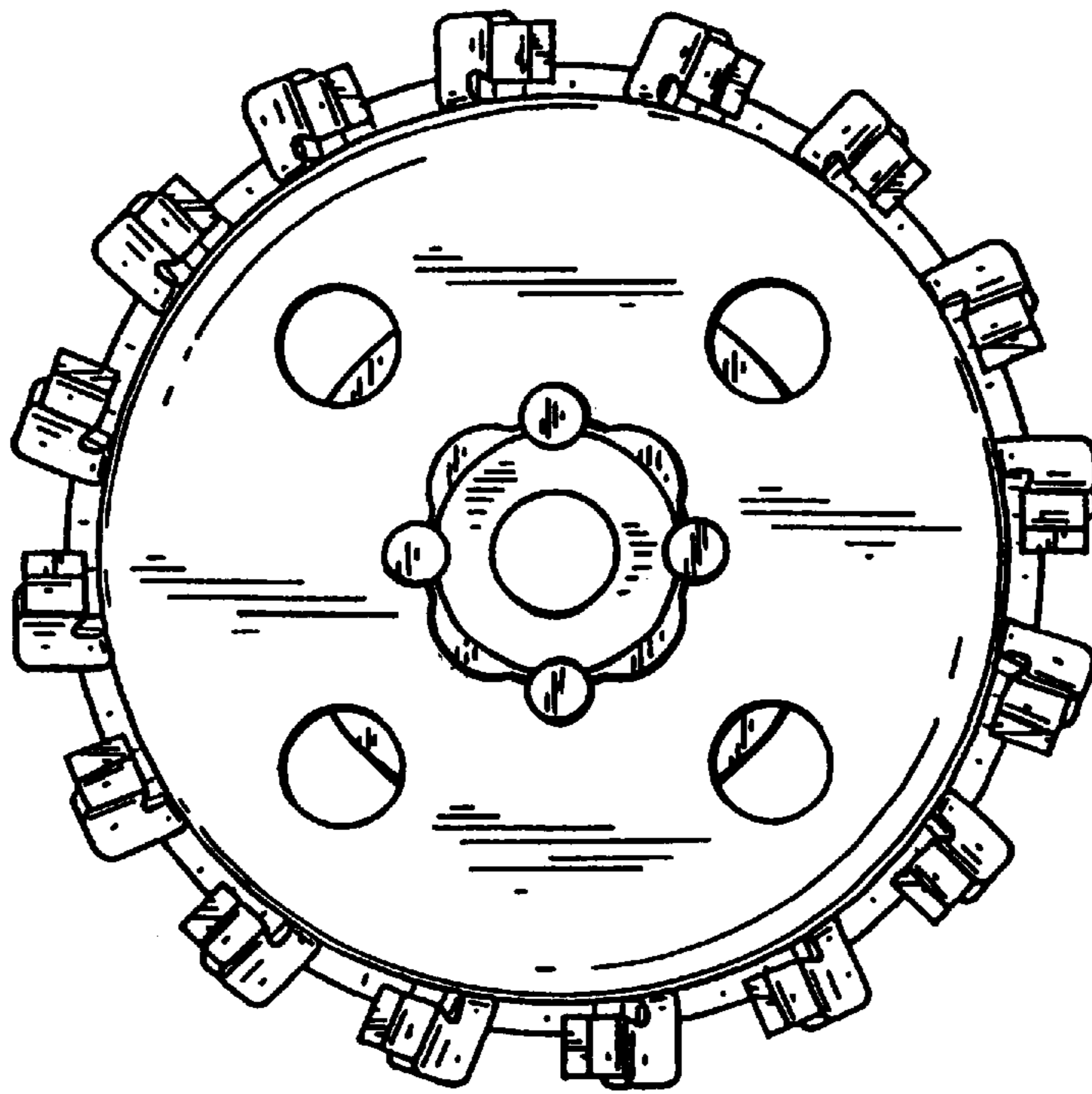


FIG. 2

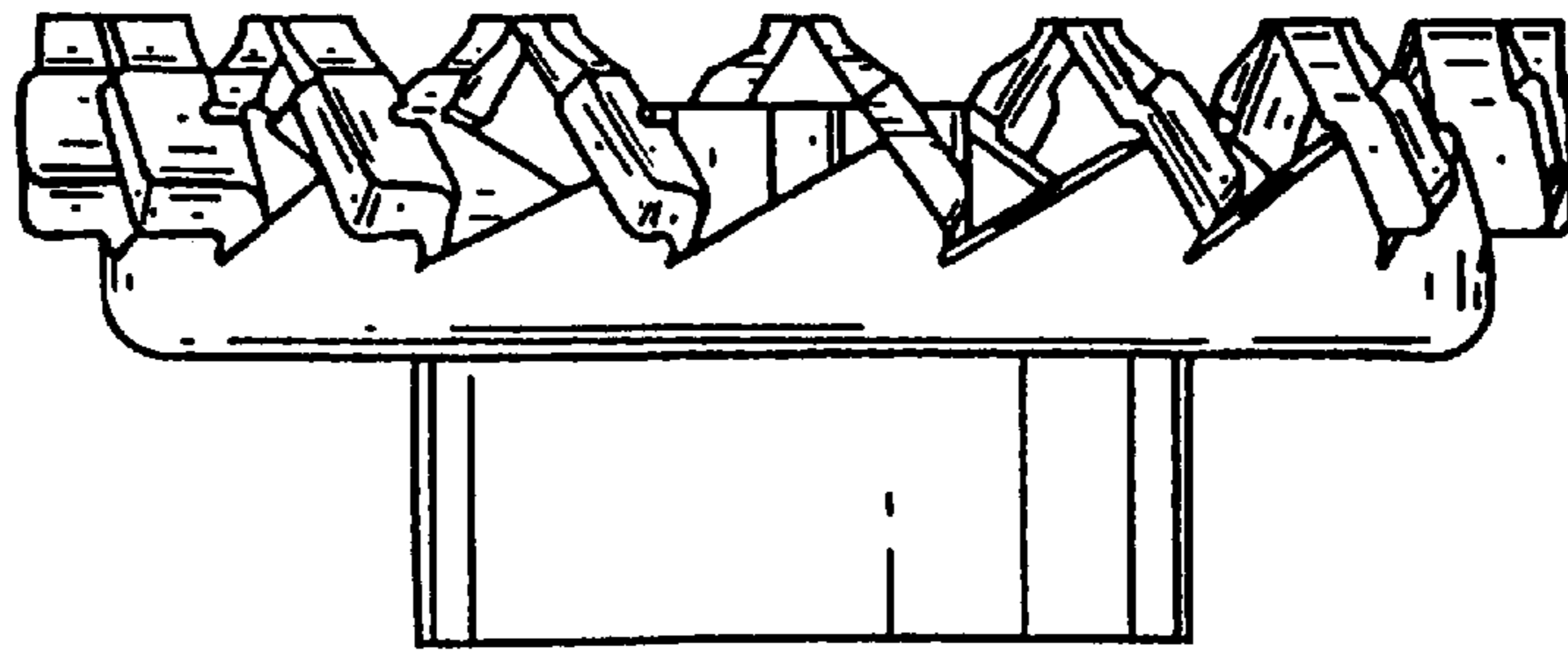


FIG. 3

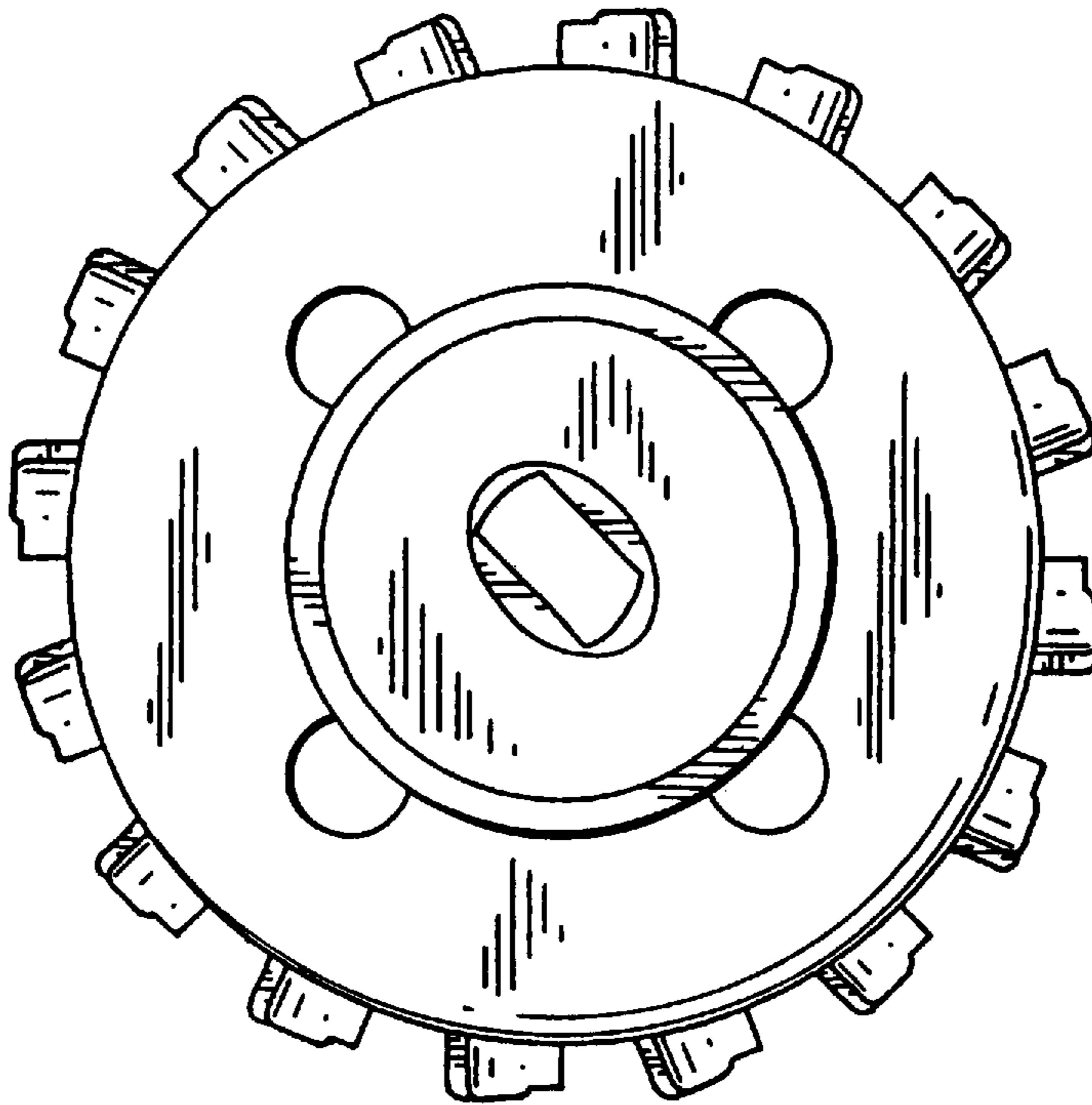


FIG. 4

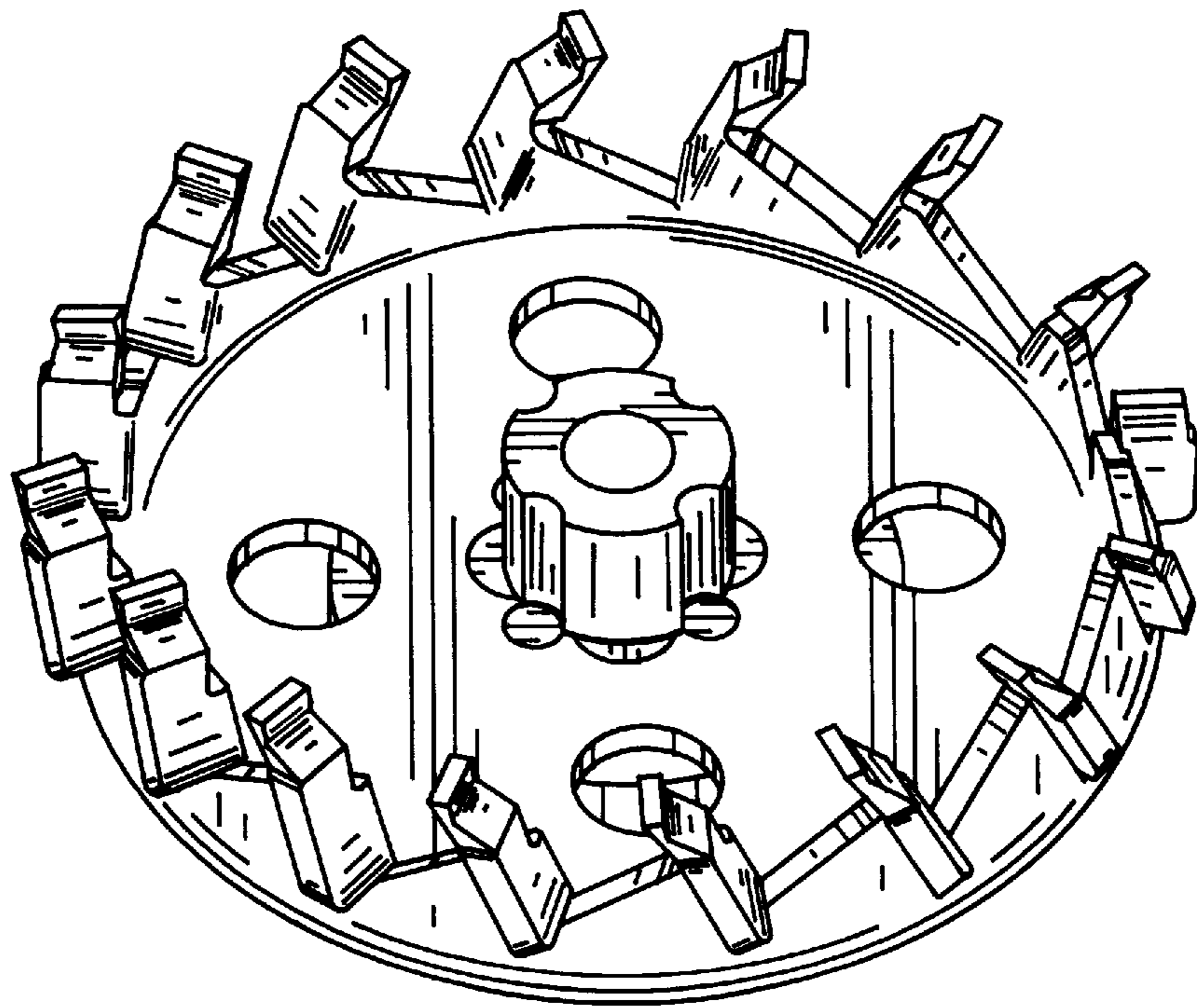


FIG. 5

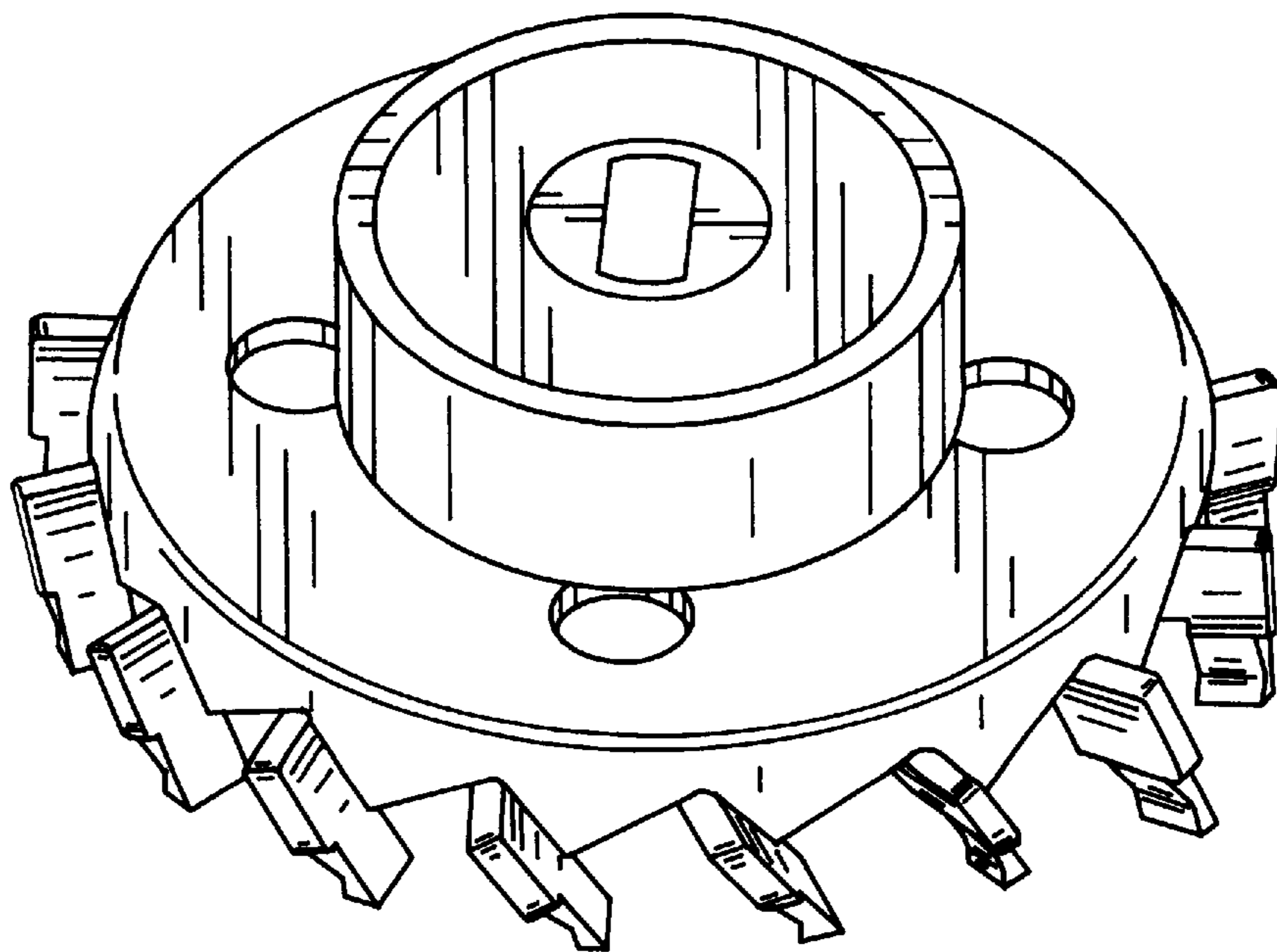


FIG. 6