



US00D405917S

United States Patent [19] Suzuki

[11] **Patent Number: Des. 405,917**

[45] **Date of Patent: **Feb. 16, 1999**

[54] **LIGHTER**

D. 292,029 9/1987 Yoshinaga D27/148
D. 387,475 12/1997 Maruyama D27/154

[75] Inventor: **Kyoichi Suzuki**, Tokyo, Japan

[73] Assignee: **Colibri Corporation**, Providence, R.I.

[**] Term: **14 Years**

Primary Examiner—Susan J. Lucas
Assistant Examiner—Jennifer Rivard
Attorney, Agent, or Firm—Fish & Richardson P.C.

[21] Appl. No.: **86,571**

[22] Filed: **Apr. 15, 1998**

[57] **CLAIM**

The ornamental design for a lighter, as shown.

[30] **Foreign Application Priority Data**

Jan. 30, 1998 [JP] Japan 10-2652

[51] **LOC (6) Cl.** **27-05**

[52] **U.S. Cl.** **D27/154**

[58] **Field of Search** D27/139-161;
431/127, 128, 142, 143, 253, 254, 256

DESCRIPTION

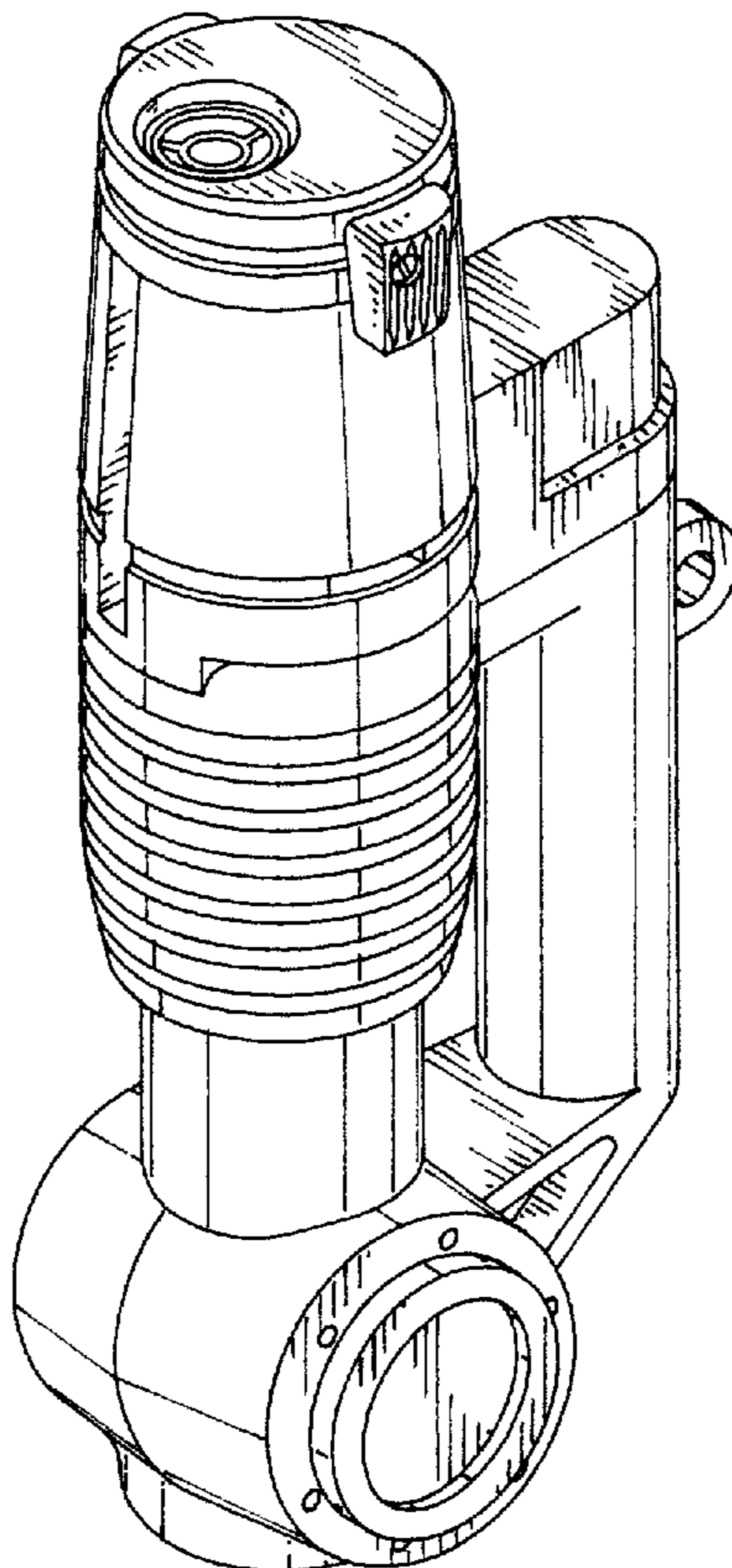
FIG. 1 is a perspective view showing my new ornamental design for a lighter;
FIG. 2 is a right side view thereof;
FIG. 3 is a left side view thereof;
FIG. 4 is a front view thereof;
FIG. 5 is a rear view thereof;
FIG. 6 is a top view thereof; and,
FIG. 7 is a bottom view thereof.

[56] **References Cited**

U.S. PATENT DOCUMENTS

D. 284,796 7/1986 Yoshinaga D27/148

1 Claim, 2 Drawing Sheets



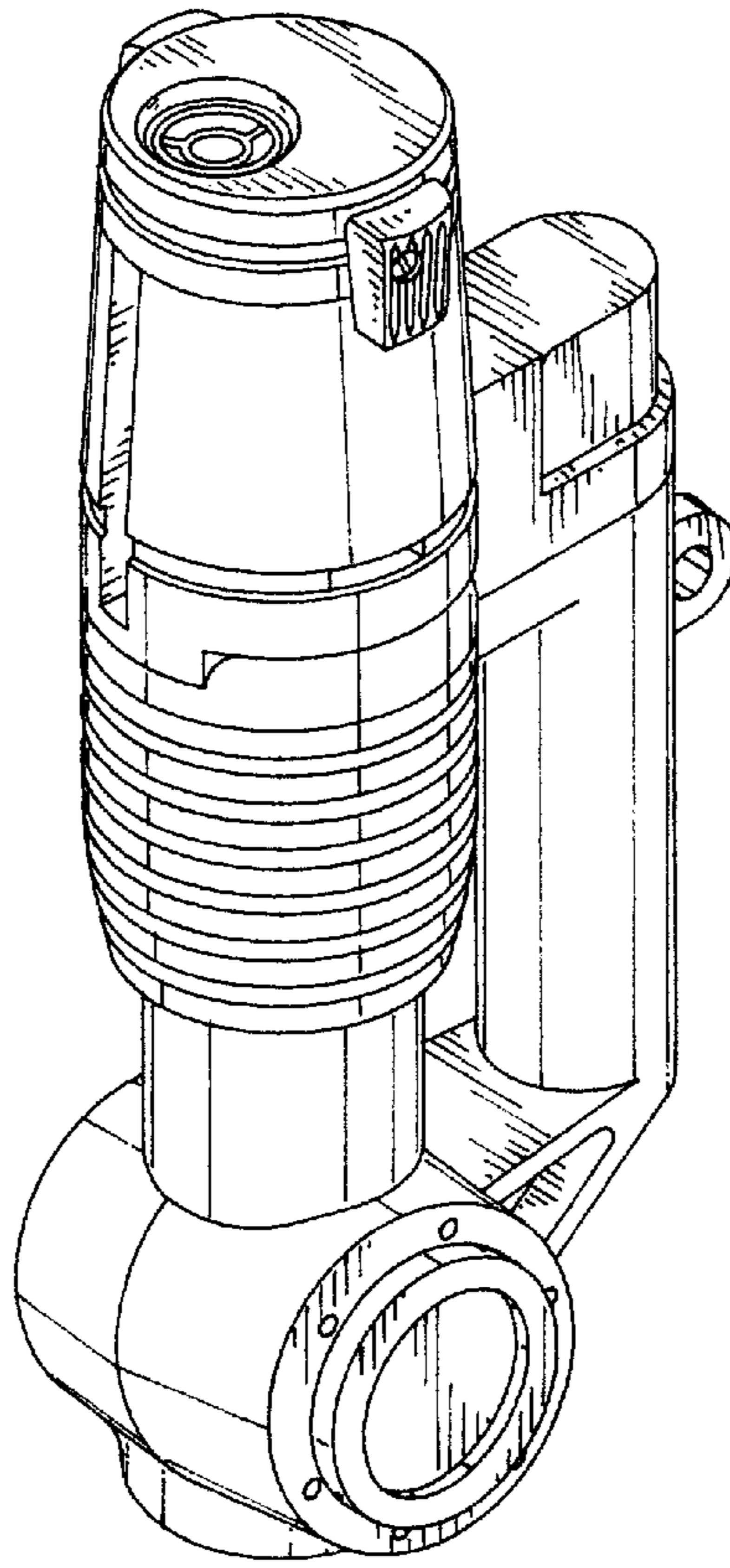


FIG. 1

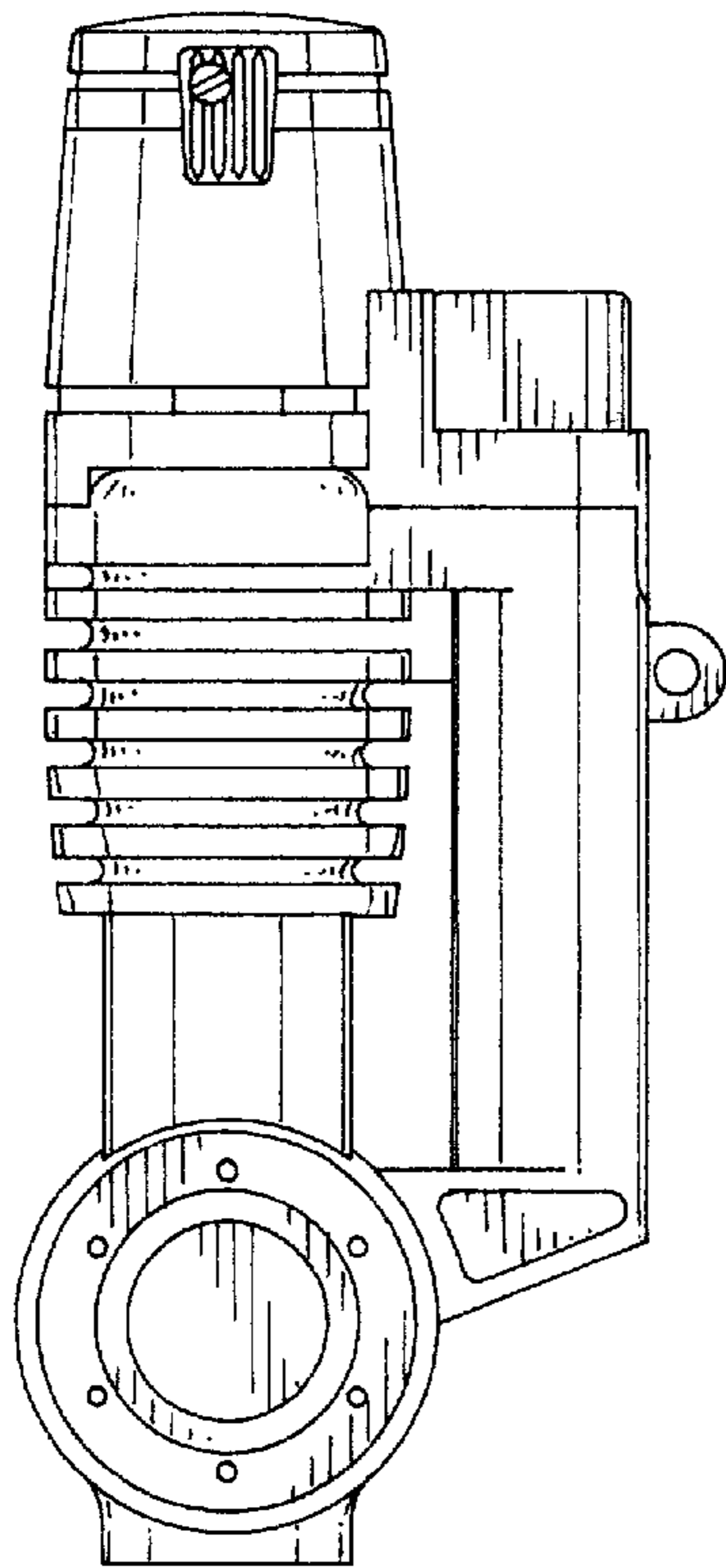


FIG. 2

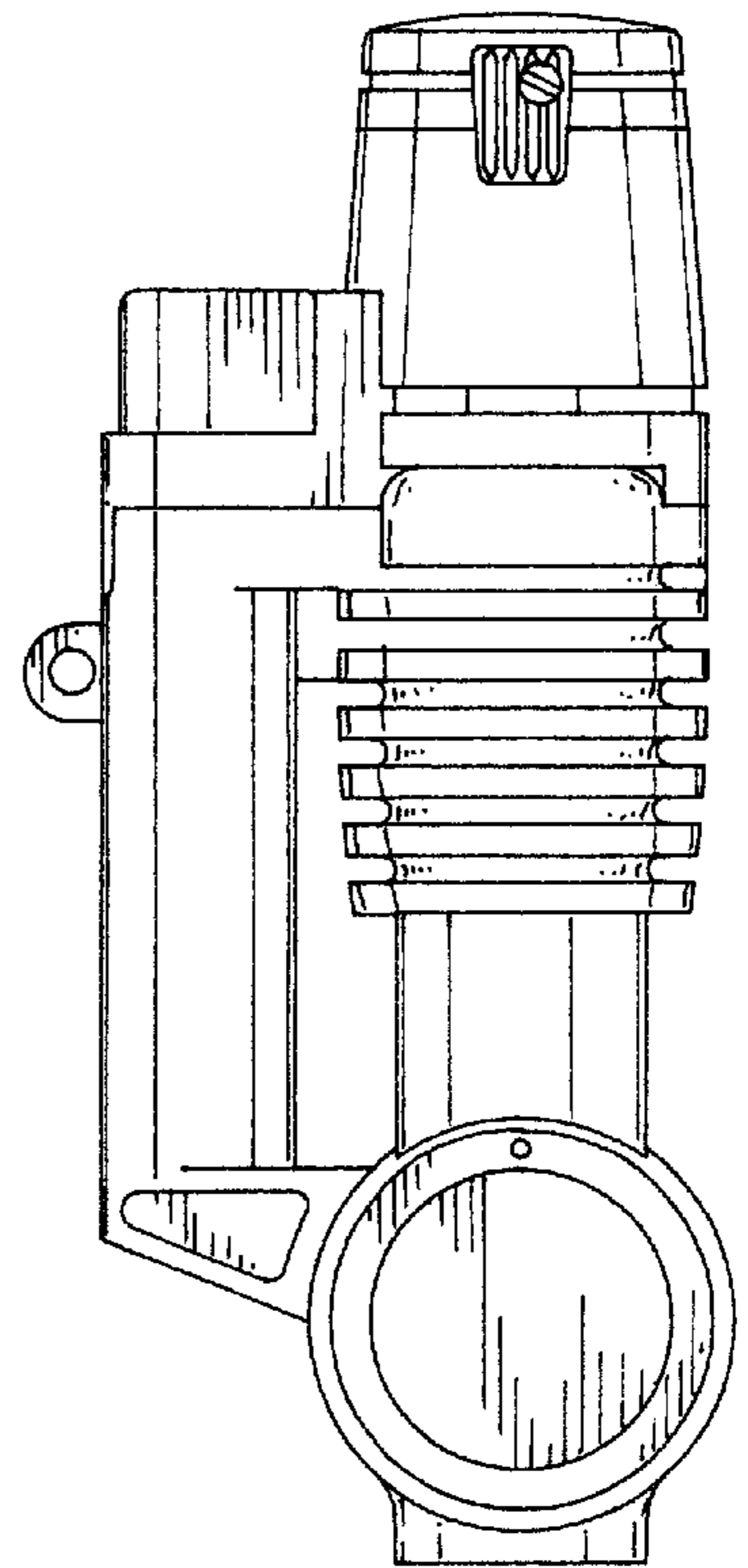


FIG. 3

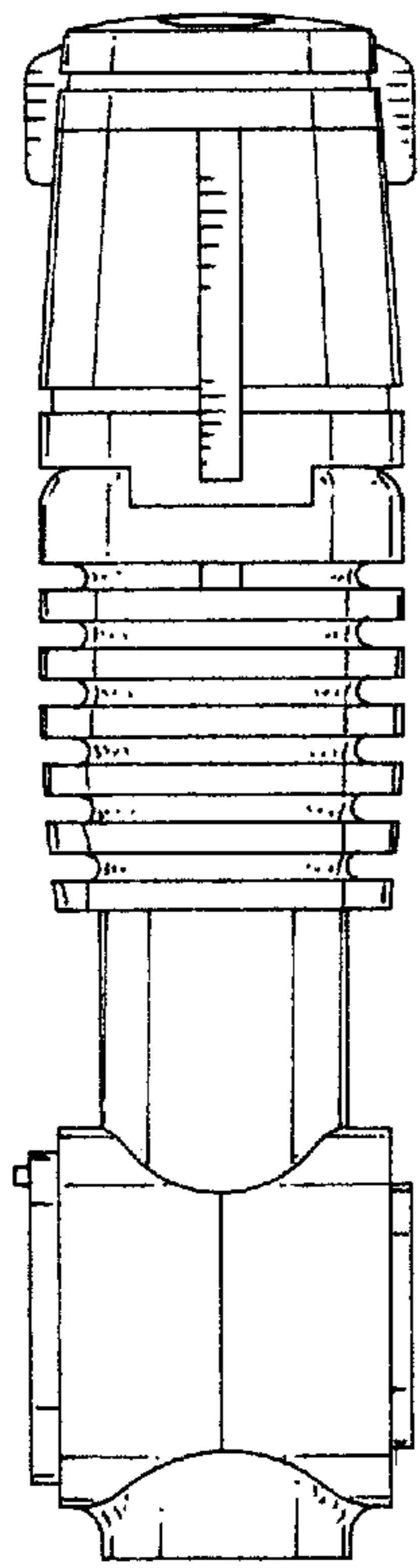


FIG. 4

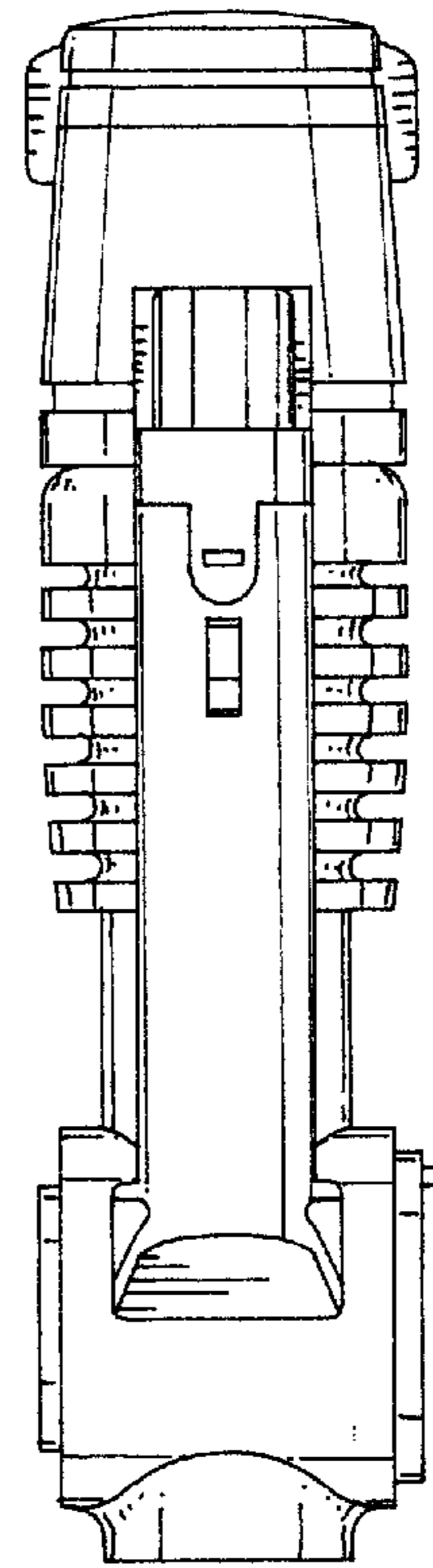


FIG. 5

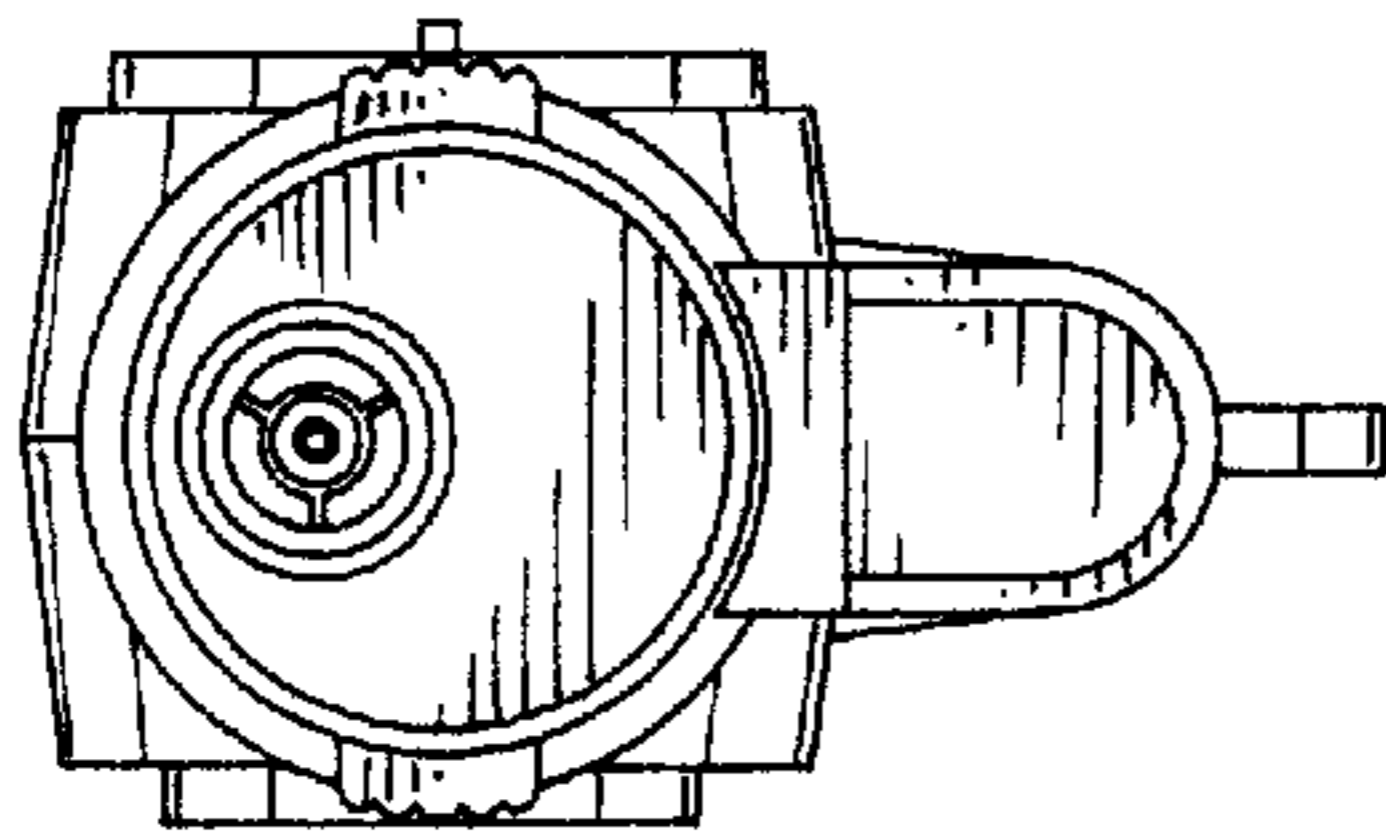


FIG. 6

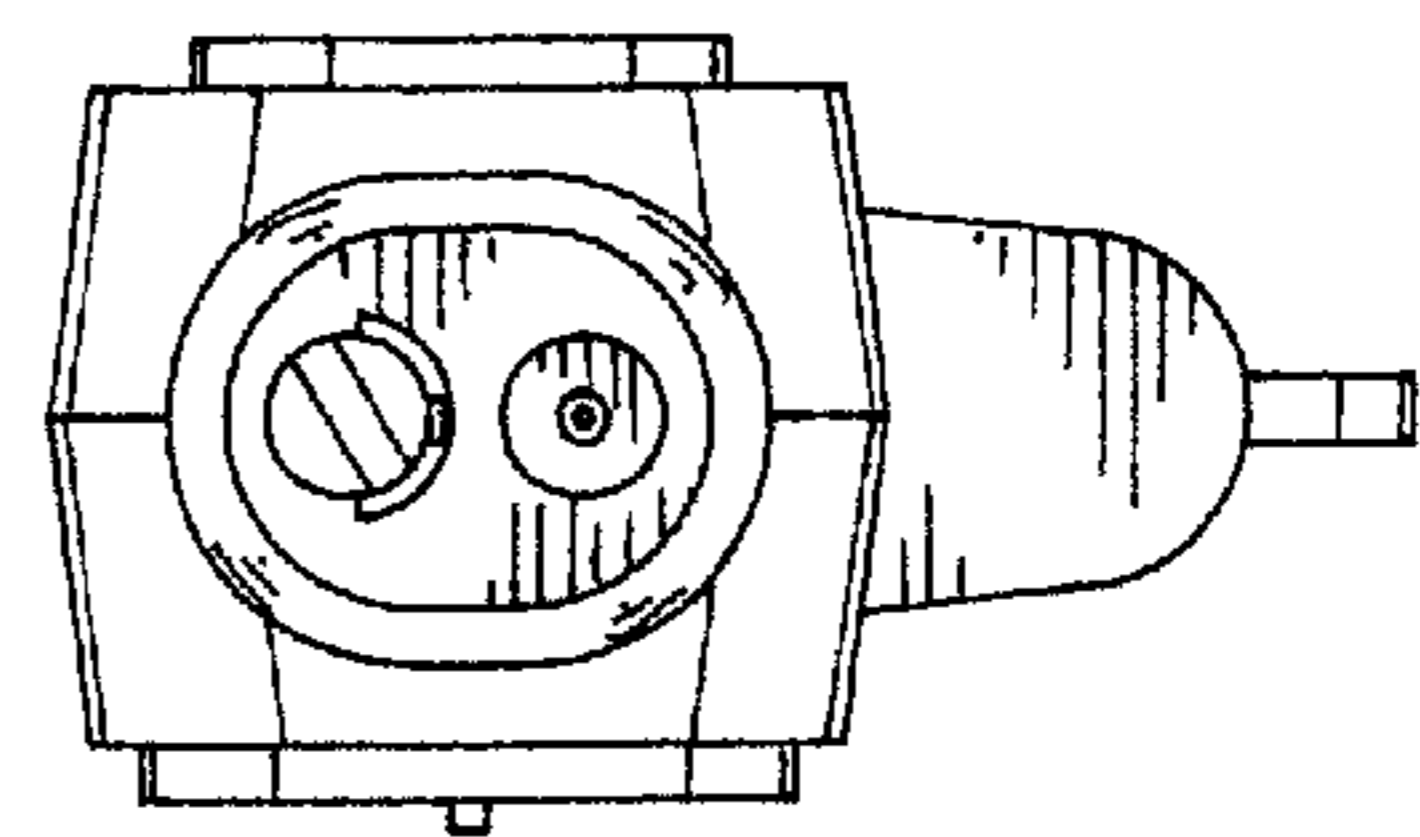


FIG. 7