



US00D405910S

United States Patent [19]

Walz

[11] Patent Number: **Des. 405,910**

[45] Date of Patent: ****Feb. 16, 1999**

[54] WALL WASH MODULE

[76] Inventor: **Kevin R. Walz**, Via Giacinto Carini,
11, 00152 Roma, Italy

[**] Term: **14 Years**

[21] Appl. No.: **82,120**

[22] Filed: **Jan. 15, 1998**

[51] LOC (6) Cl. **26-05**

[52] U.S. Cl. **D26/91**

[58] Field of Search D26/72, 80-92,
D26/128, 135, 136, 118; 362/147, 404-408,
432, 350, 351, 363, 326, 329, 340, 341,
346, 349

[56] References Cited

U.S. PATENT DOCUMENTS

D. 357,762 4/1995 Douglas D26/128
D. 389,270 1/1998 Malmsten D26/128

OTHER PUBLICATIONS

Baldinger Architectural lighting catalog, p. 24, wall sconce,
Jan. 1989.

Primary Examiner—Susan J. Lucas
Attorney, Agent, or Firm—Gottlieb, Rackman & Reisman,
P.C.

[57] CLAIM

The ornamental design for a wall wash module, as shown
and described.

DESCRIPTION

FIG. 1 is a front, bottom and right side perspective view
thereof;

FIG. 2 is a top plan view thereof;

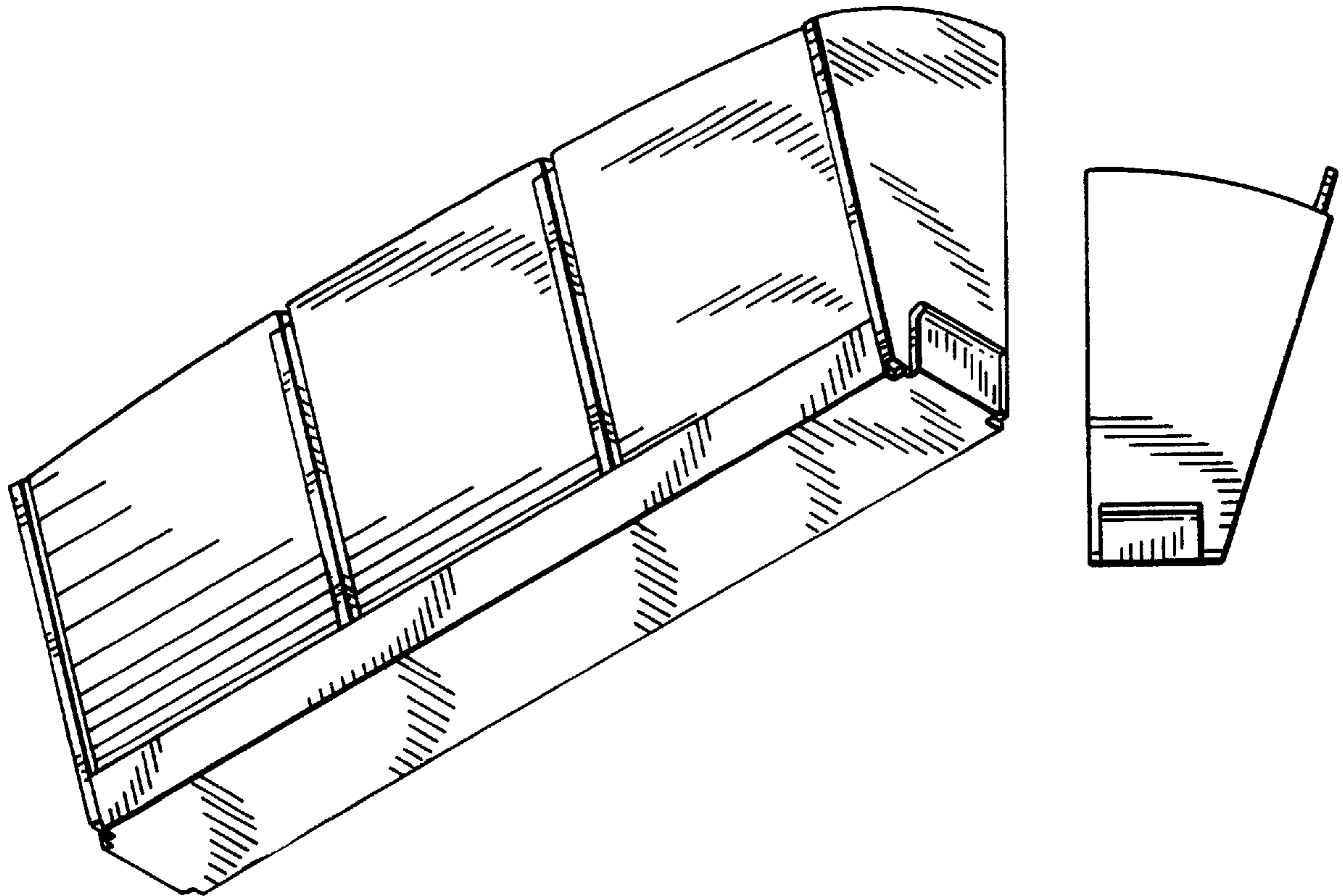
FIG. 3 is a front elevational view thereof;

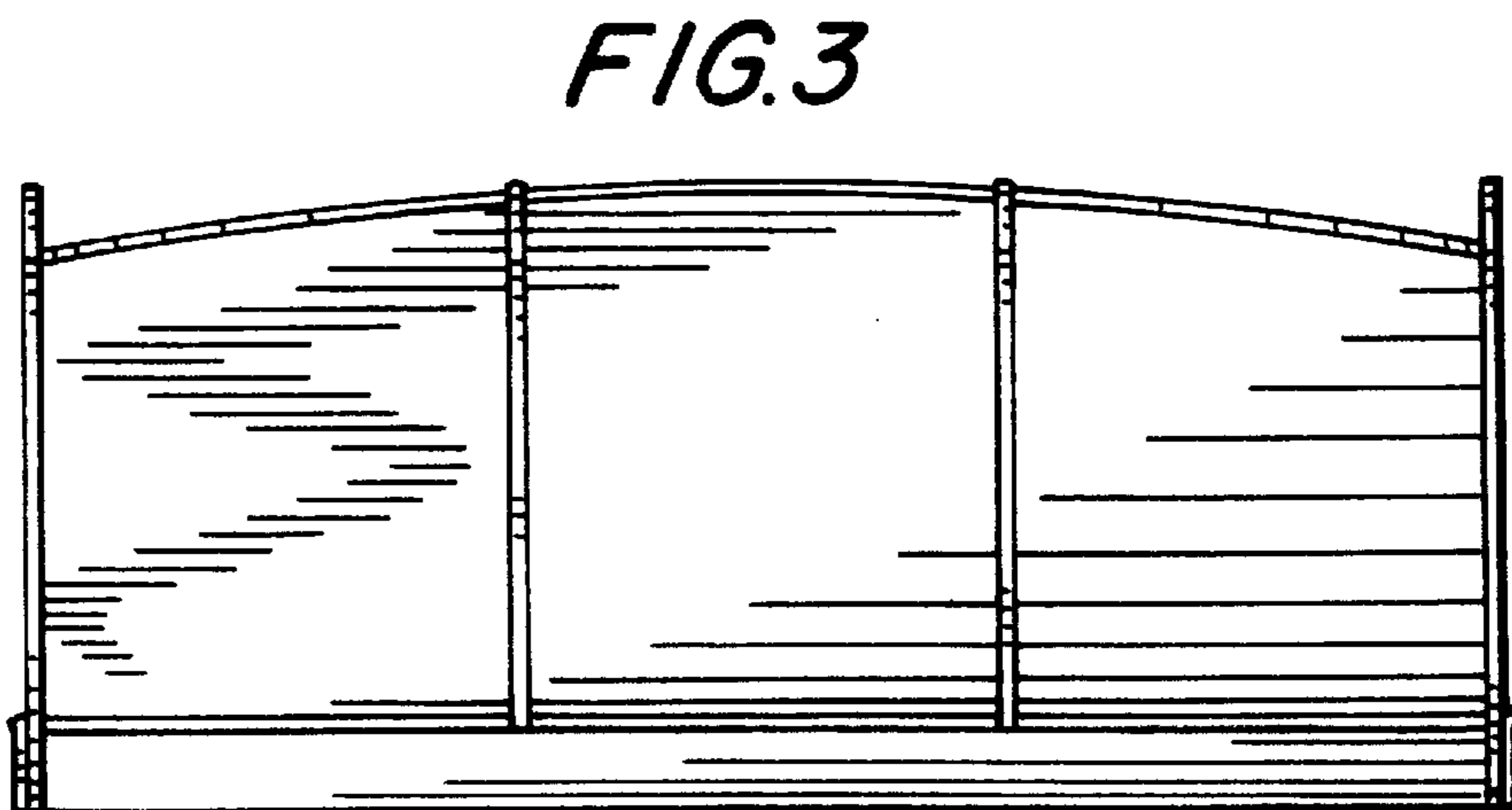
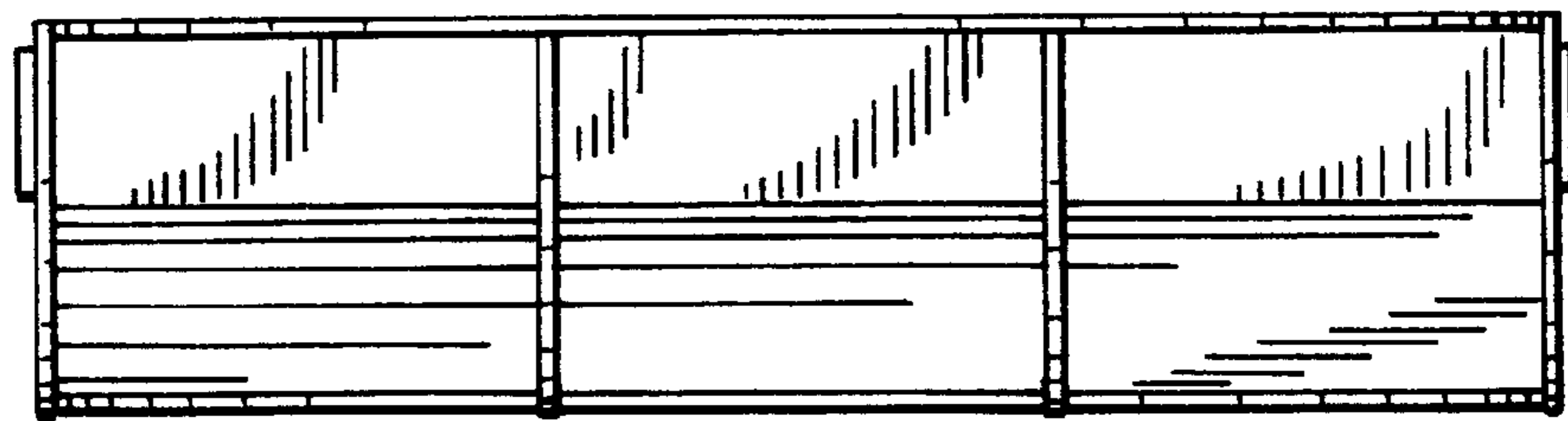
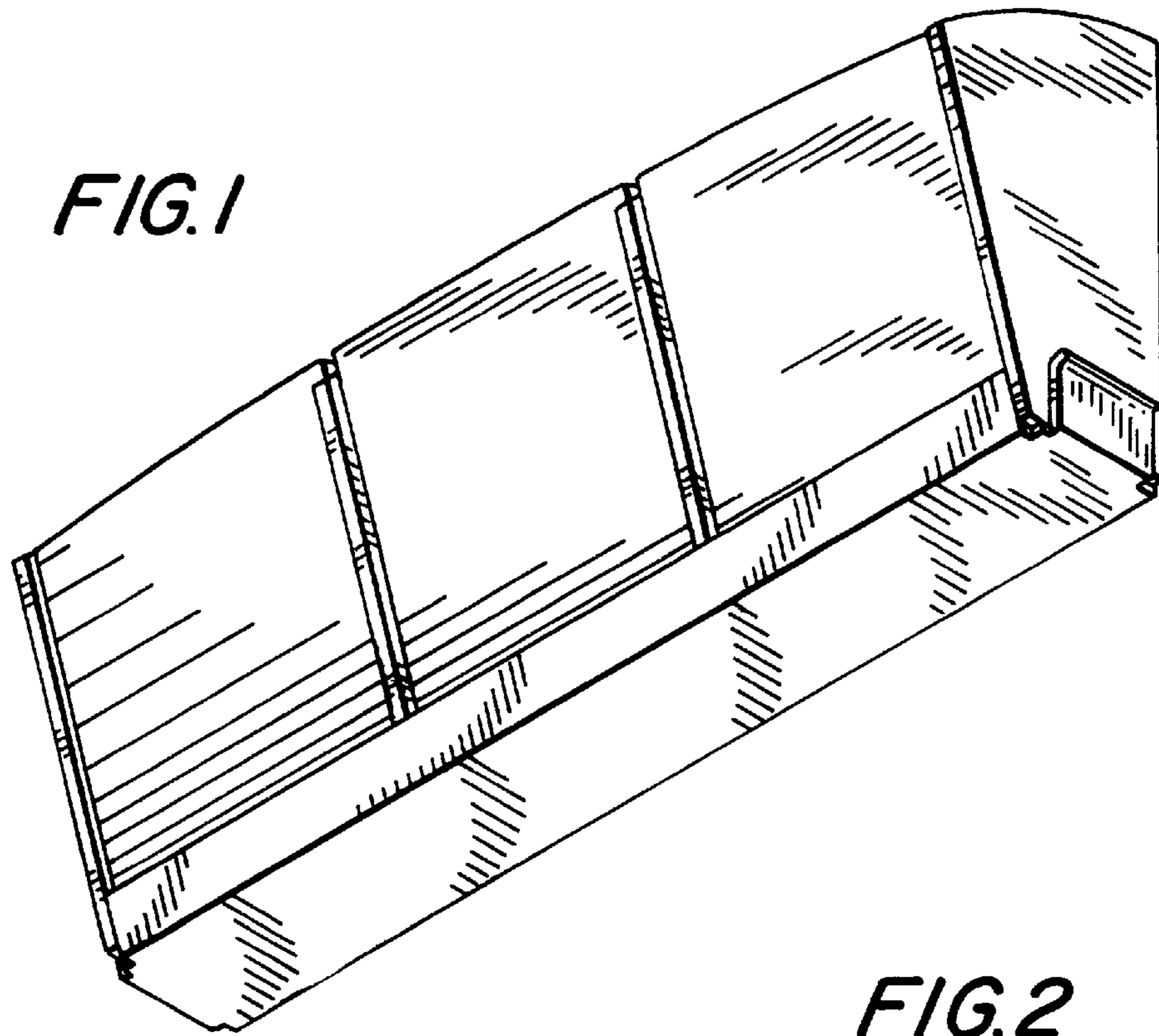
FIG. 4 is a left side elevational view, the right side being a
mirror image thereof;

FIG. 5 is a rear view thereof; and,

FIG. 6 is a bottom plan view thereof.

1 Claim, 2 Drawing Sheets





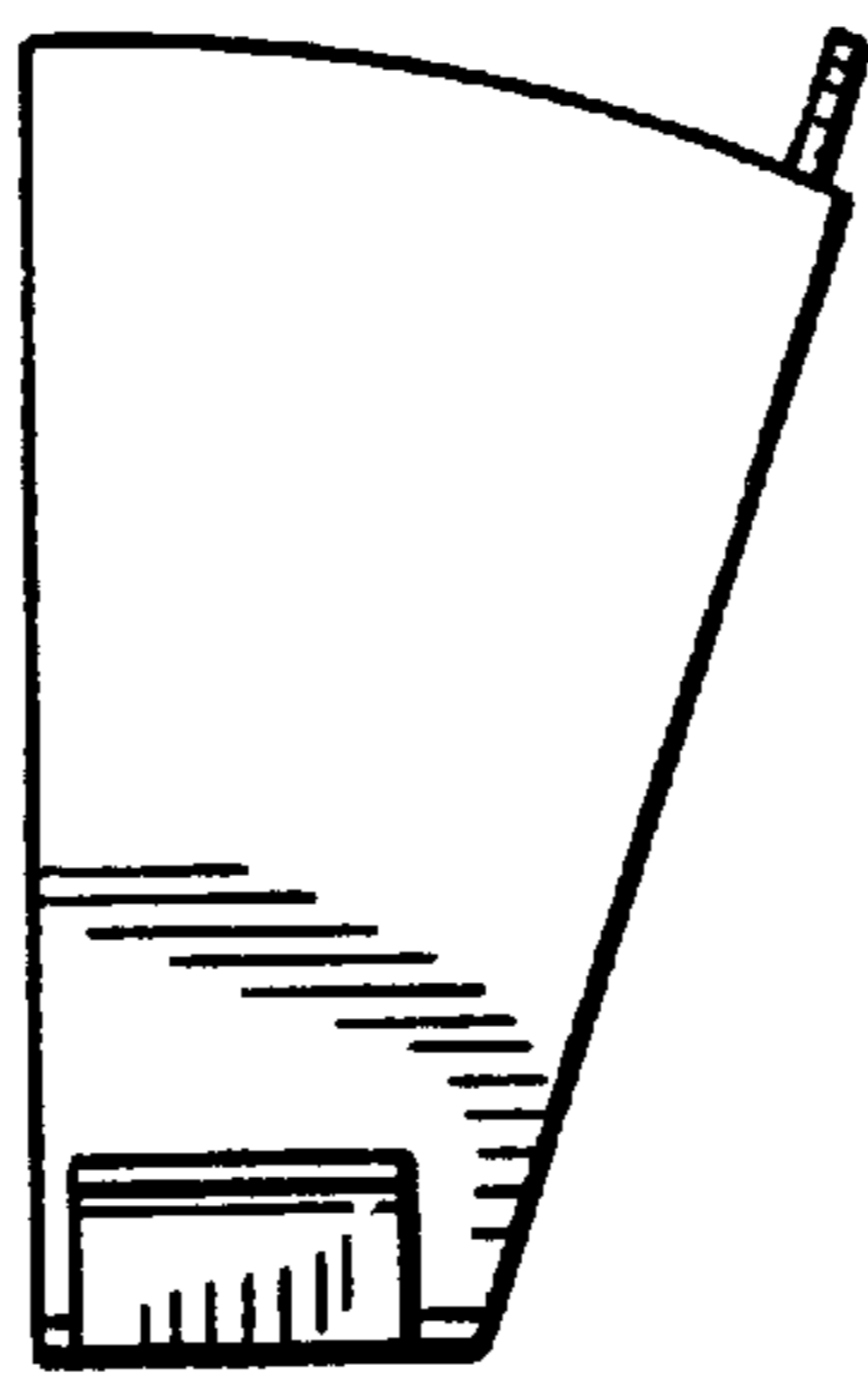


FIG. 4

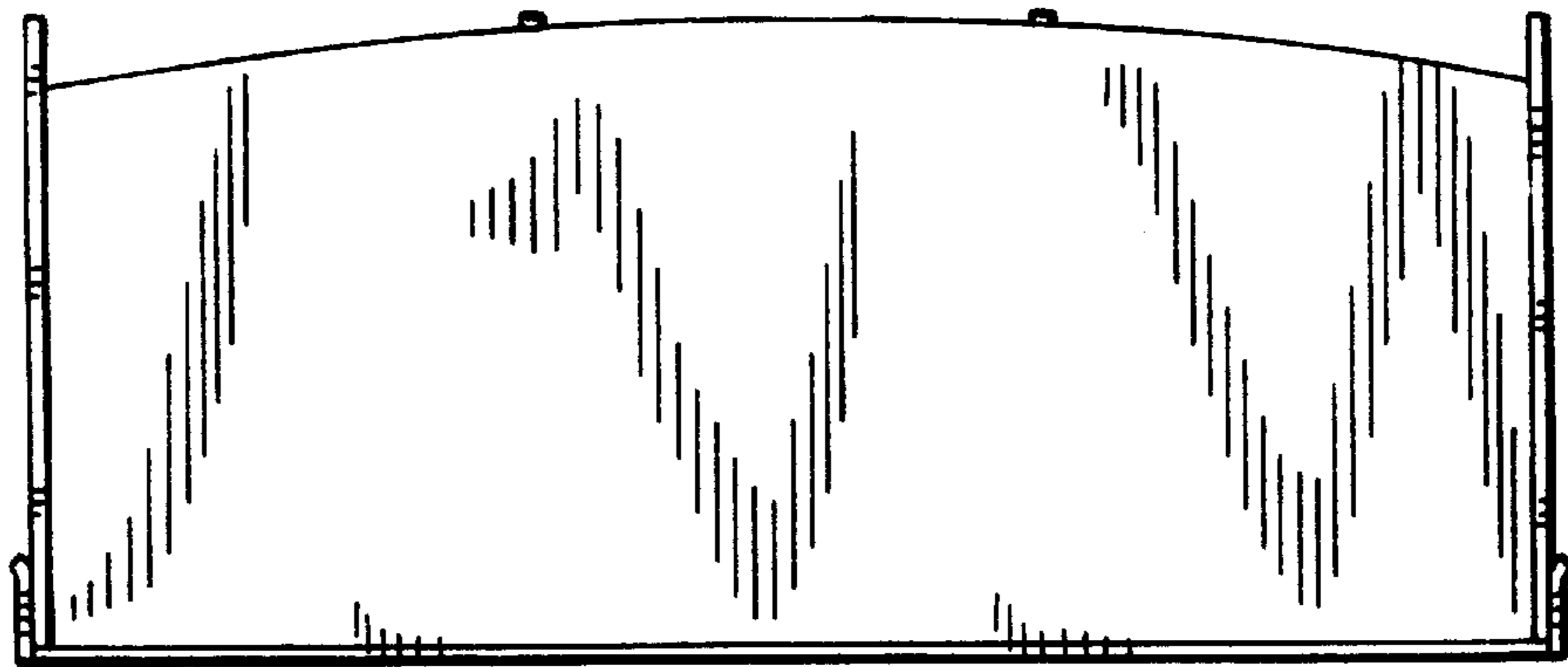


FIG. 5

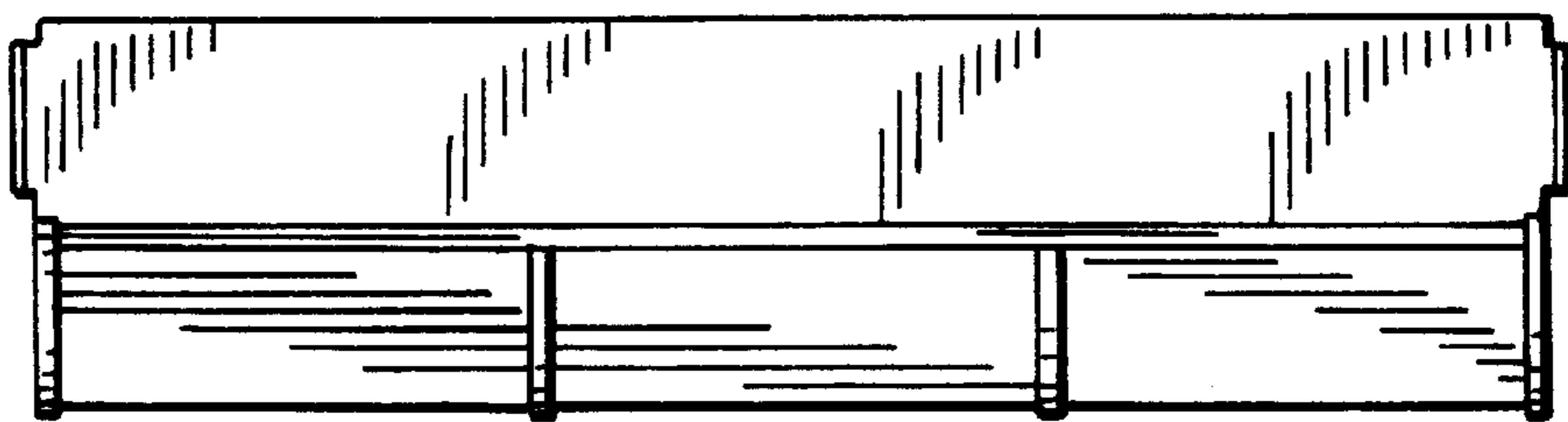


FIG. 6