



US00D405907S

United States Patent [19]

Herst et al.

[11] Patent Number: **Des. 405,907**

[45] Date of Patent: ****Feb. 16, 1999**

[54] **LUMINAIRE**

[75] Inventors: **Douglas J. Herst, Ross; Utkan Salman**, Oakland, both of Calif.

[73] Assignee: **Peerless Lighting Corporation**, Berkeley, Calif.

[*] Notice: This patent issued on a continued prosecution application filed under 37 CFR 1.53(d), and is subject to the twenty year patent term provisions of 35 U.S.C. 154(a)(2).

[**] Term: **14 Years**

[21] Appl. No.: **78,692**

[22] Filed: **Oct. 30, 1997**

[51] **LOC (6) Cl.** **26-05**

[52] **U.S. Cl.** **D26/76**

[58] **Field of Search** D26/75-79, 72, D26/122; 362/147, 217, 222, 223, 225, 292, 341, 346, 347

[56] **References Cited**

U.S. PATENT DOCUMENTS

D. 318,929	8/1991	Herst et al.	D26/76
D. 335,191	4/1993	Morgan	D26/76 X
D. 362,315	9/1995	Herst et al.	D26/76
D. 365,650	12/1995	Herst et al.	D26/77
2,293,116	8/1942	Clasby	362/222
2,421,967	6/1947	Schepmoes	362/223
2,534,182	12/1950	Schwartz et al.	D26/78 X

OTHER PUBLICATIONS

U.S. Application No. 29/078693, Herst et al., filed Oct. 30, 1997.

U.S. Application No. 29/078694, Herst et al., filed Oct. 30, 1997.

U.S. Application No. 29/078695, Herst et al., filed Oct. 30, 1997.

U.S. Application No. 29/078690, Herst et al., filed Oct. 30, 1997.

U.S. Application No. 29/078691, Herst et al., filed Oct. 30, 1997.

Peerless Product Brochure, Envision, 1994.

Peerless Product Brochure, 10"×3⁵/₈" Rounded Systems, 1993.

Primary Examiner—Susan J. Lucas

Attorney, Agent, or Firm—Donald L. Beeson

[57] **CLAIM**

The ornamental design for a luminaire, as shown and described.

DESCRIPTION

FIG. 1 is a broken away bottom perspective view of a luminaire in accordance with our new design;

FIG. 2 is a broken away bottom plan view thereof;

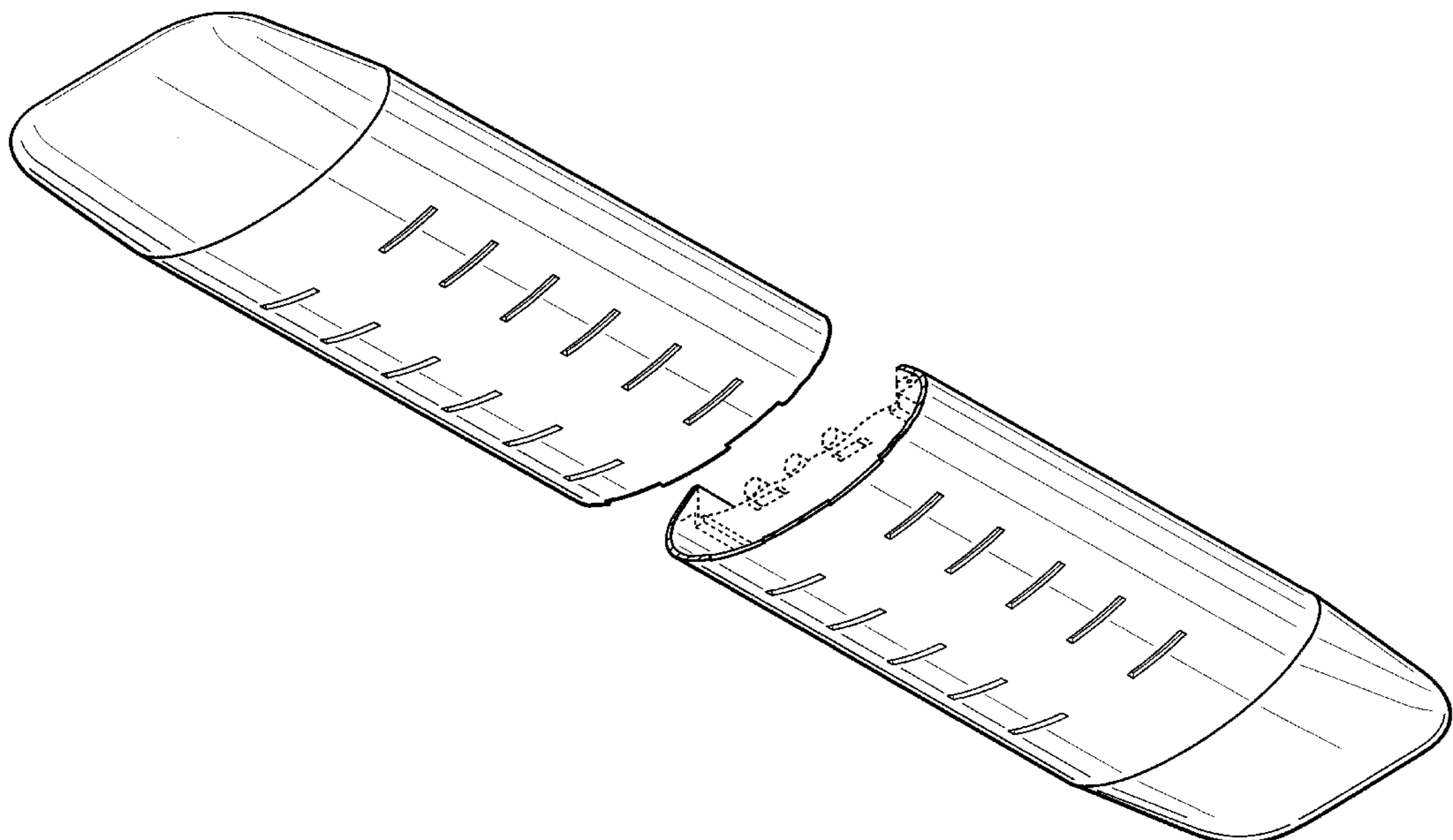
FIG. 3 is a broken away front elevational view thereof, the rear being a mirror image thereof;

FIG. 4 is a broken away top plan view thereof; and,

FIG. 5 is an enlarged left end elevational view thereof, the right end being a mirror image thereof.

FIGS. 1-4 are broken away to indicate indeterminate length. The broken lines are shown in FIGS. 1 and 4 for illustrative purposes only and indicate the nature and use of our new design and form no part of the claimed design.

1 Claim, 3 Drawing Sheets



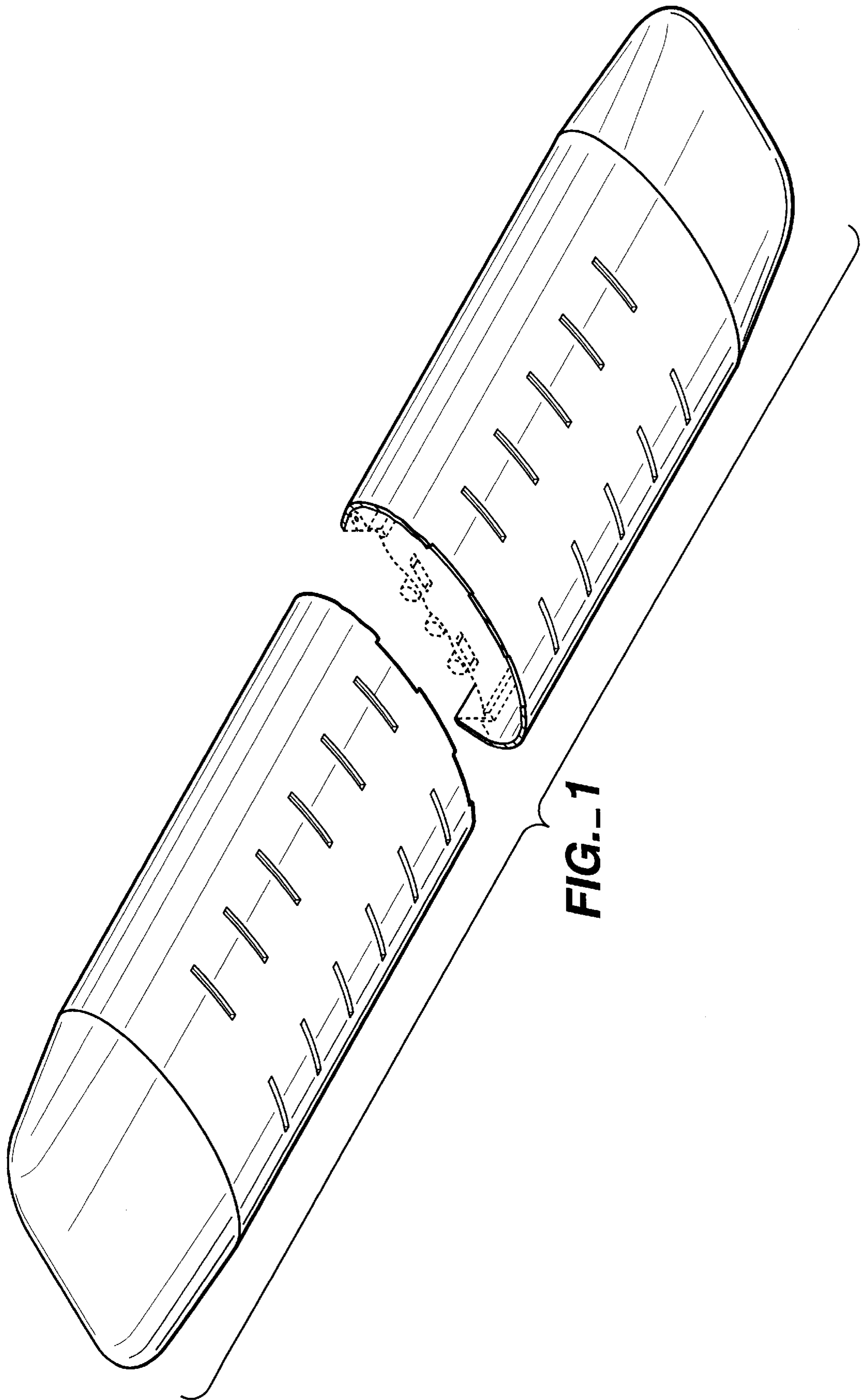


FIG. 1

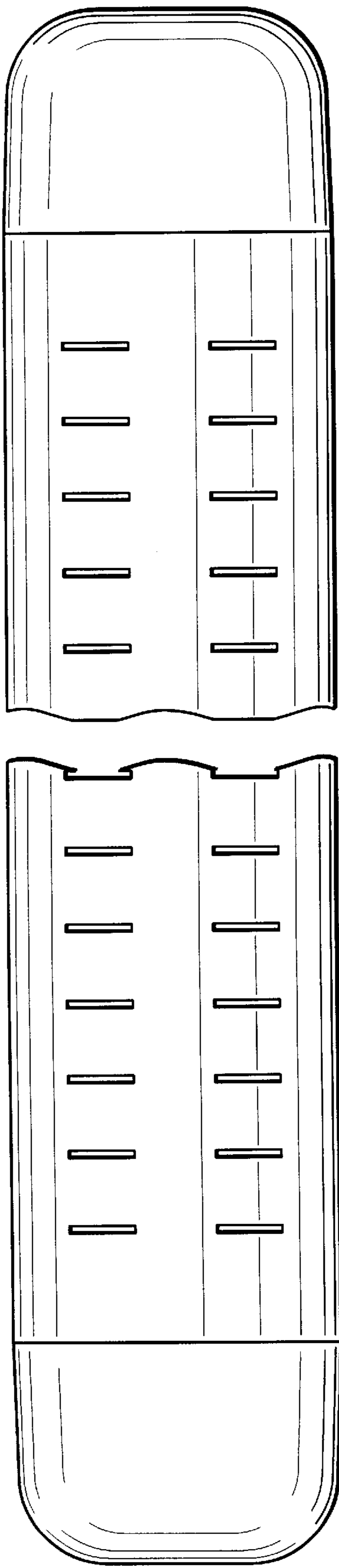


FIG. 2

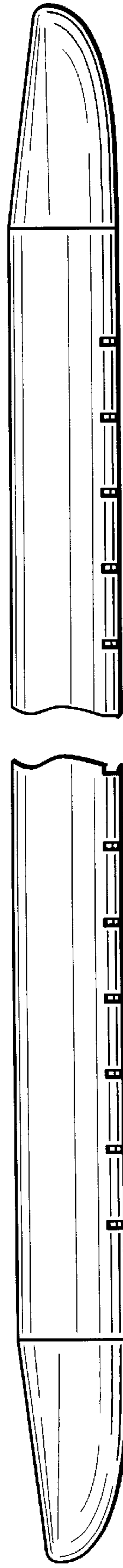


FIG. 3

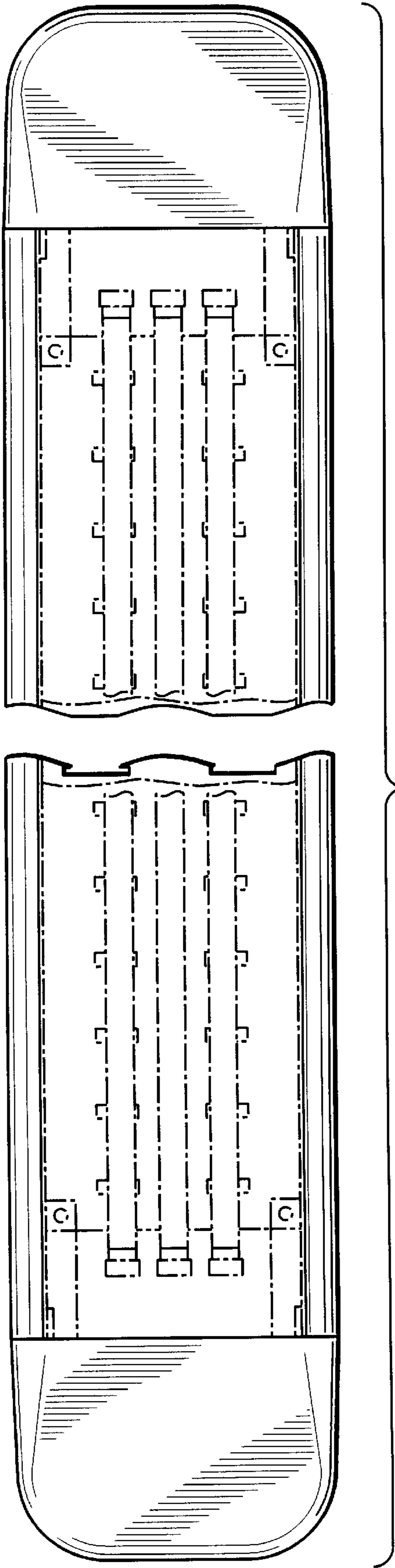


FIG. 4

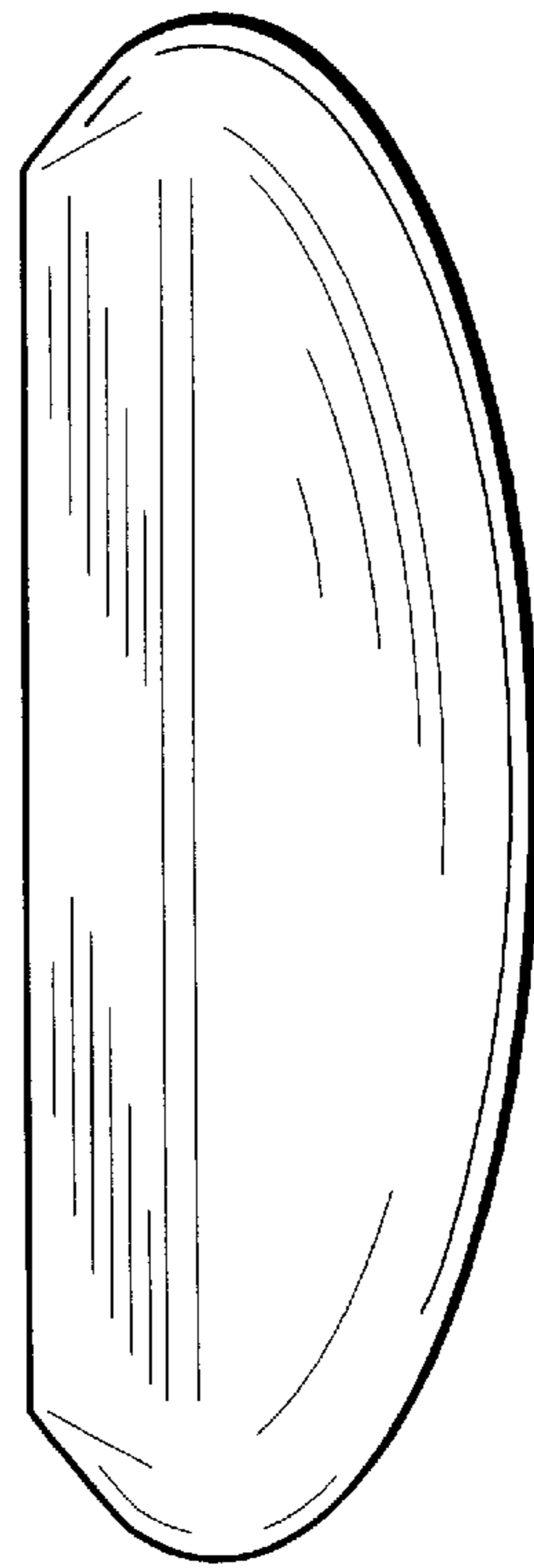


FIG. 5