

US00D405906S

# United States Patent [19]

Herst et al.

[11] **Patent Number: Des. 405,906**

[45] **Date of Patent: \*\*Feb. 16, 1999**

[54] **LUMINAIRE HOUSING**

[75] Inventors: **Douglas J. Herst, Ross; Utkan Salman, Oakland, both of Calif.**

[73] Assignee: **Peerless Lighting Corporation, Berkeley, Calif.**

[\*\*] Term: **14 Years**

[21] Appl. No.: **78,690**

[22] Filed: **Oct. 30, 1997**

[51] **LOC (6) Cl. .... 26-05**

[52] **U.S. Cl. .... D26/76; D26/118**

[58] **Field of Search .... D26/75, 76, 77, D26/78, 79, 72, 122, 118; 362/147, 217, 222, 223, 225, 292, 341, 346, 347**

[56] **References Cited**

**U.S. PATENT DOCUMENTS**

D. 318,929	8/1991	Herst et al. ....	D26/76
D. 335,191	4/1993	Morgan .....	D26/76 X
D. 362,315	9/1995	Herst et al. ....	D26/76
D. 365,650	12/1995	Herst et al. ....	D26/77
2,293,116	8/1942	Clasby .....	362/222
2,421,967	6/1947	Schepmoes .....	362/223
2,534,182	12/1950	Schwartz et al. ....	D26/78 X

**OTHER PUBLICATIONS**

Architectural Record, p. 203, fluorescent lamp diffuser, Jul. 1962.

U.S. application No. 29/078,693, Herst, et al., filed Oct. 10, 1997.

U.S. application No. 29/078,694, Herst, et al., filed Oct. 30, 1997.

U.S. application No. 29/078,695, Herst, et al., filed Oct. 30, 1997.

U.S. application No. 29/078,692, Herst, et al., filed Oct. 30, 1997.

U.S. application No. 29/078,691, Herst, et al., filed Oct. 30, 1997.

Peerless Product Brochure, Envision, 1994.

Peerless Product Brochure, 10"×3<sup>5</sup>/<sub>8</sub>" Rounded Systems, 1993.

*Primary Examiner*—Susan J. Lucas

*Attorney, Agent, or Firm*—Donald L. Beeson

[57] **CLAIM**

The ornamental design for a luminaire housing, as shown and described.

**DESCRIPTION**

FIG. 1 is a broken away bottom perspective view of a luminaire housing in accordance with our new design;

FIG. 2 is a broken away bottom plan view thereof;

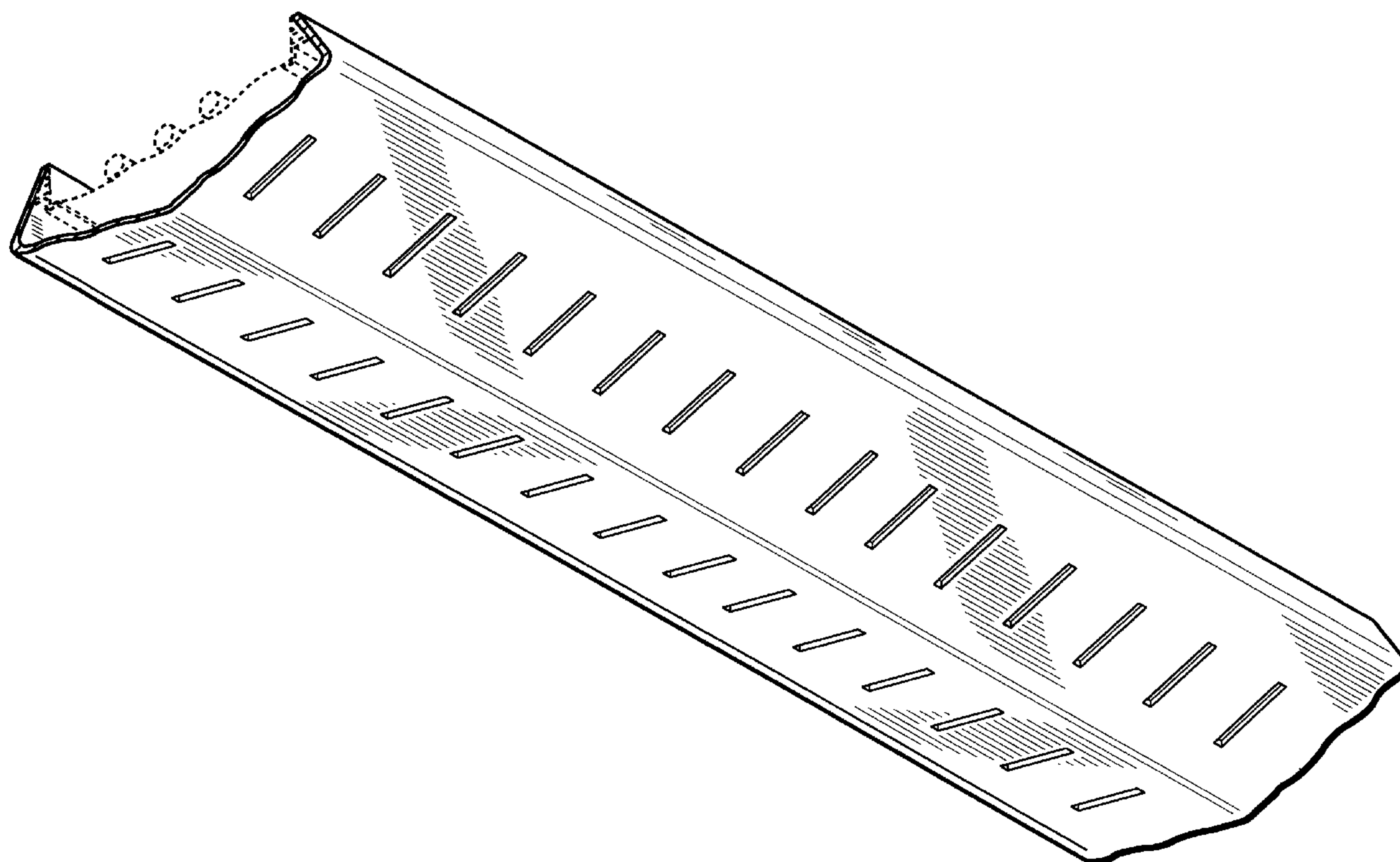
FIG. 3 is a broken away front elevational view thereof, the rear being a mirror image thereof;

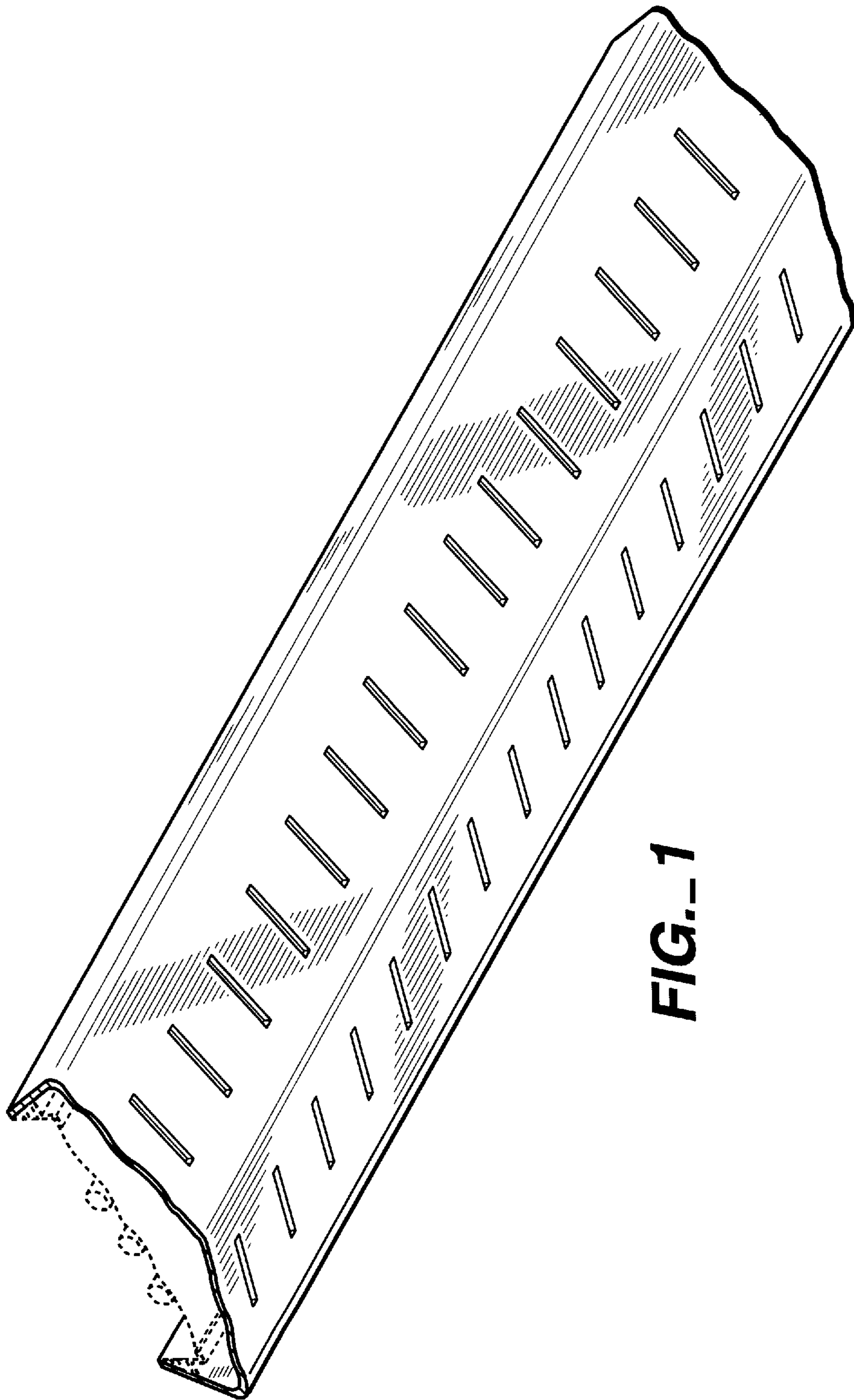
FIG. 4 is a broken away top plan view thereof; and,

FIG. 5 is an enlarged cross-sectional view thereof taken along line 5—5 in FIG. 3 and illustrates uniform cross-sectional shape.

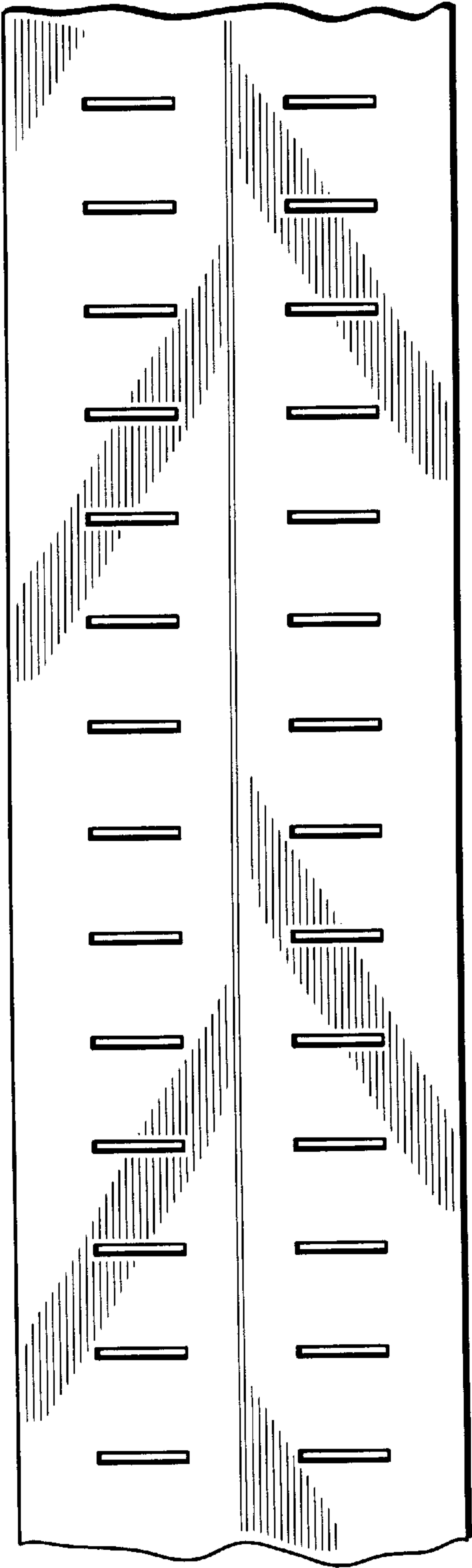
FIGS. 1—4 are broken away to indicate indeterminate length. The broken lines are shown in FIG. 1 for illustrative purposes only and indicate the nature and use of our new design and form no part of the claimed design.

**1 Claim, 3 Drawing Sheets**

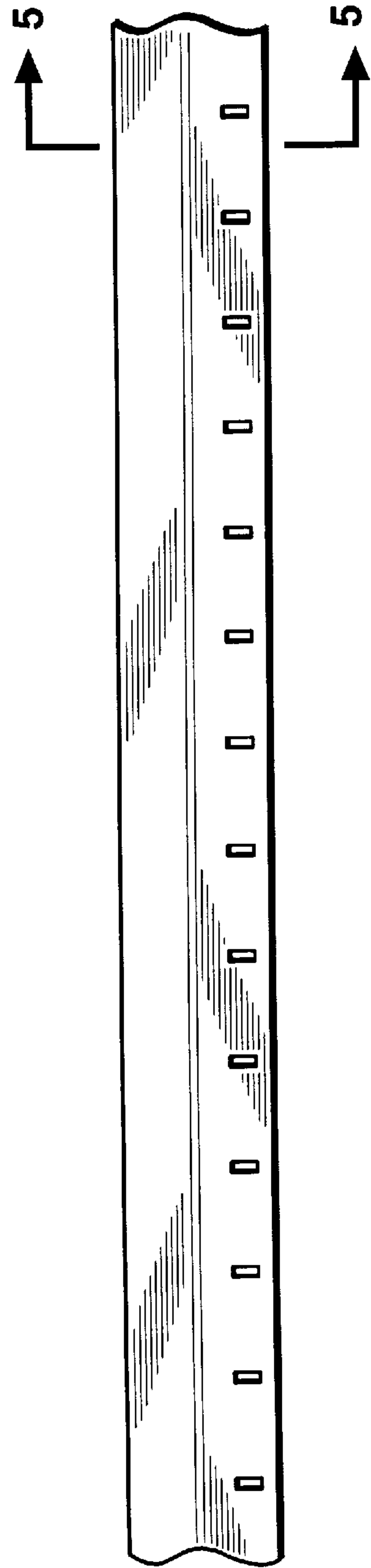




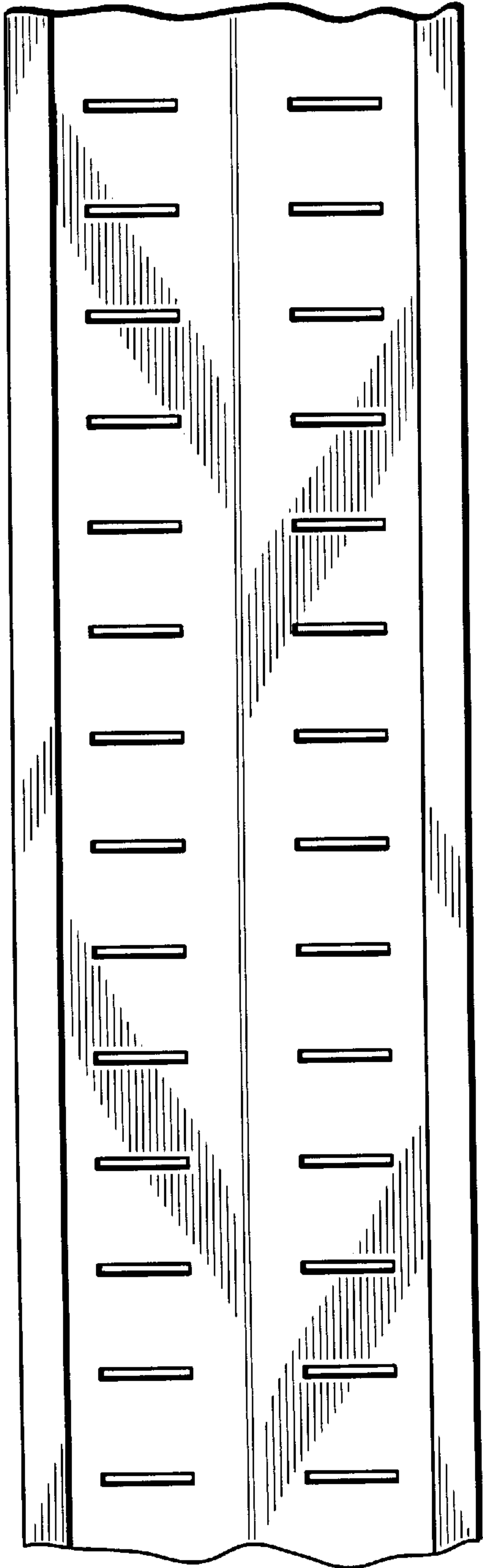
**FIG.-1**



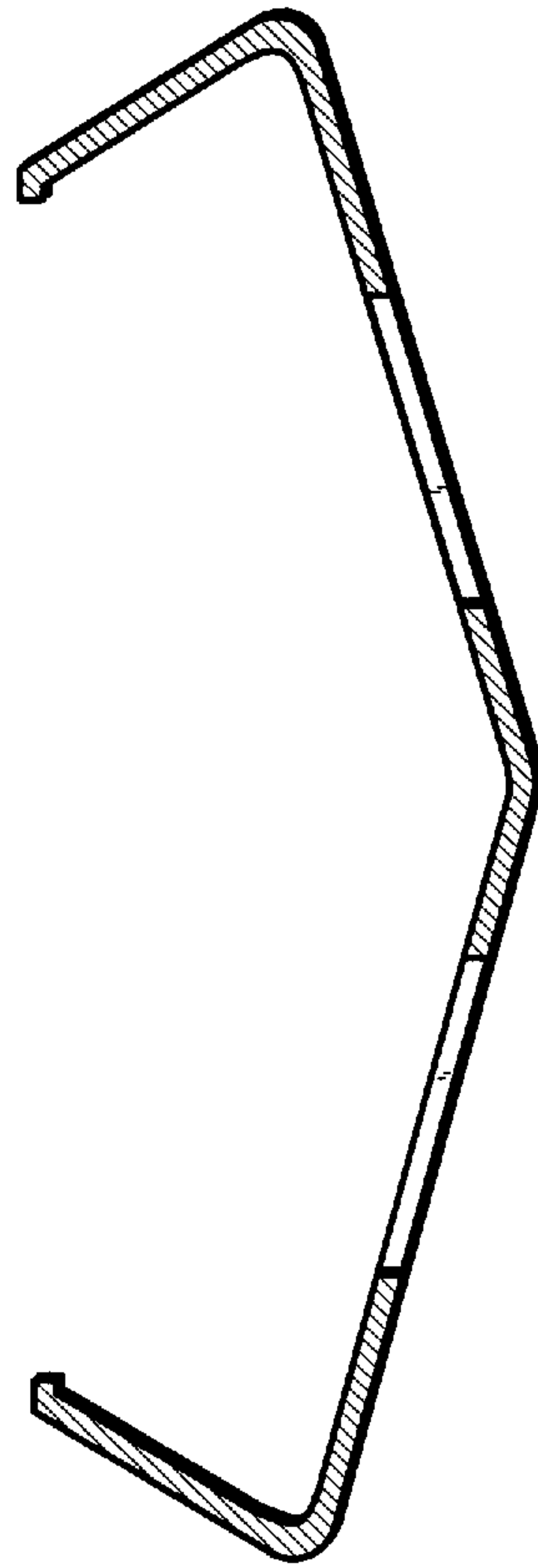
**FIG. 2**



**FIG. 3**



**FIG. 4**



**FIG. 5**