



US00D405905S

United States Patent [19] Lin

[11] **Patent Number: Des. 405,905**

[45] **Date of Patent: **Feb. 16, 1999**

[54] **DESK LAMP**

[76] Inventor: **Jack Lin**, 12F -1, No. 237, Sec. 1,
Fu-Shin S. Road, Taipei, Taiwan

[**] Term: **14 Years**

[21] Appl. No.: **88,632**

[22] Filed: **May 27, 1998**

[51] **LOC (6) Cl.** **26-05**

[52] **U.S. Cl.** **D26/65; D26/66**

[58] **Field of Search** D26/60-66, 94;
362/410-414, 267, 275, 285, 418, 419,
427, 306

[56] **References Cited**

U.S. PATENT DOCUMENTS

| | | | | |
|------------|---------|-------|-------|---------|
| D. 353,905 | 12/1994 | Lin | | D26/65 |
| 5,045,986 | 9/1991 | Lin | | 362/413 |
| 5,084,810 | 1/1992 | Huang | | 362/410 |
| 5,176,443 | 1/1993 | Lin | | 361/413 |

OTHER PUBLICATIONS

Domestications catalog page, baseball lamp base, Dec. 1996.

Hong Kong Enterprise catalog, p. 389, Feb. 1996.

Primary Examiner—Susan J. Lucas

[57] **CLAIM**

The ornamental design for desk lamp, as shown and described.

DESCRIPTION

FIG. 1 is the perspective view of a “desk lamp” showing my new design;

FIG. 2 is the front elevational view thereof;

FIG. 3 is the rear elevational view thereof;

FIG. 4 is the left side elevational view thereof;

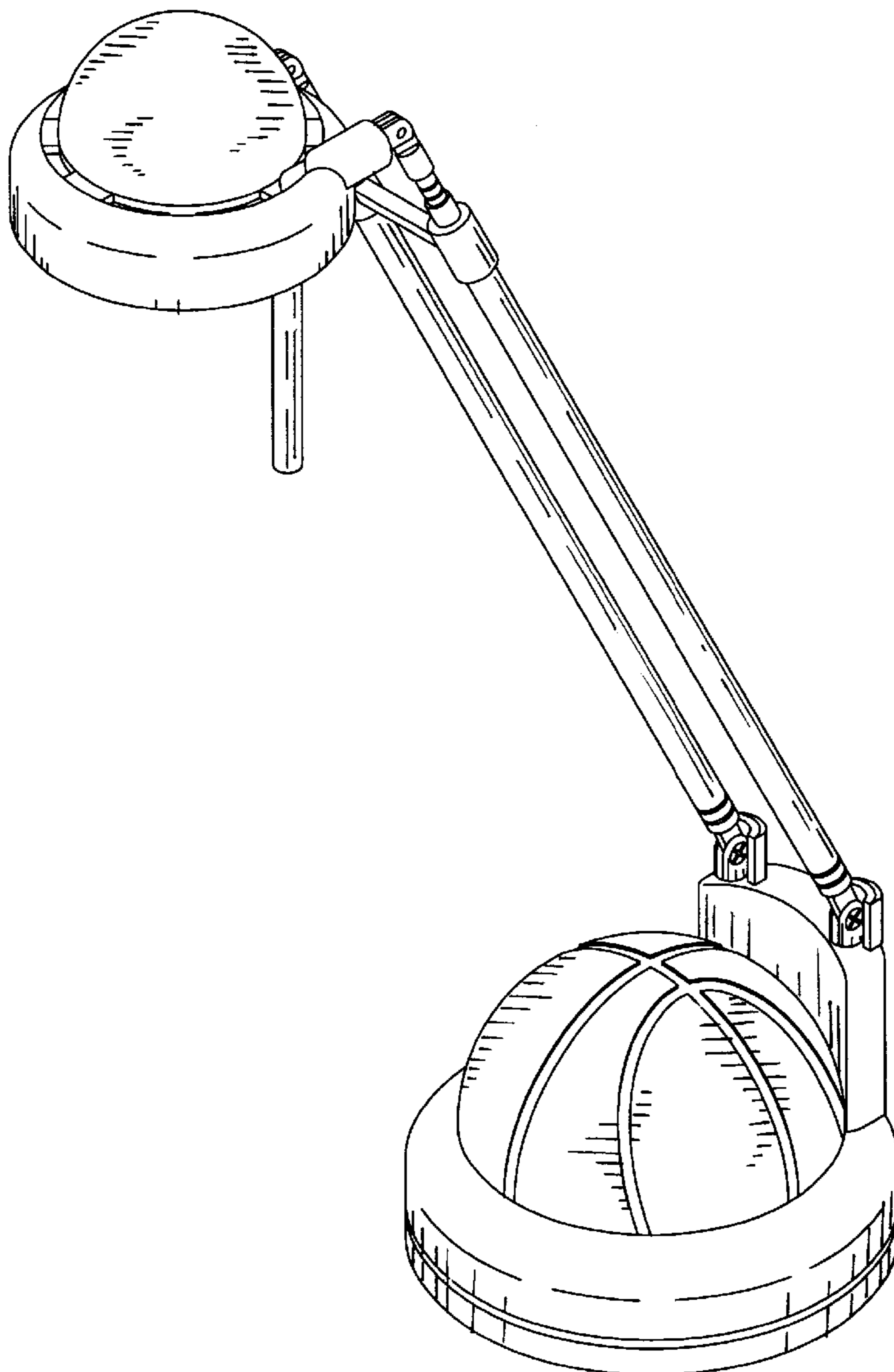
FIG. 5 is the right side elevational view thereof;

FIG. 6 is the top plan view thereof; and

FIG. 7 is the bottom plan view thereof; and,

FIG. 8 is a perspective view of the desk lamp in an extended position.

1 Claim, 5 Drawing Sheets



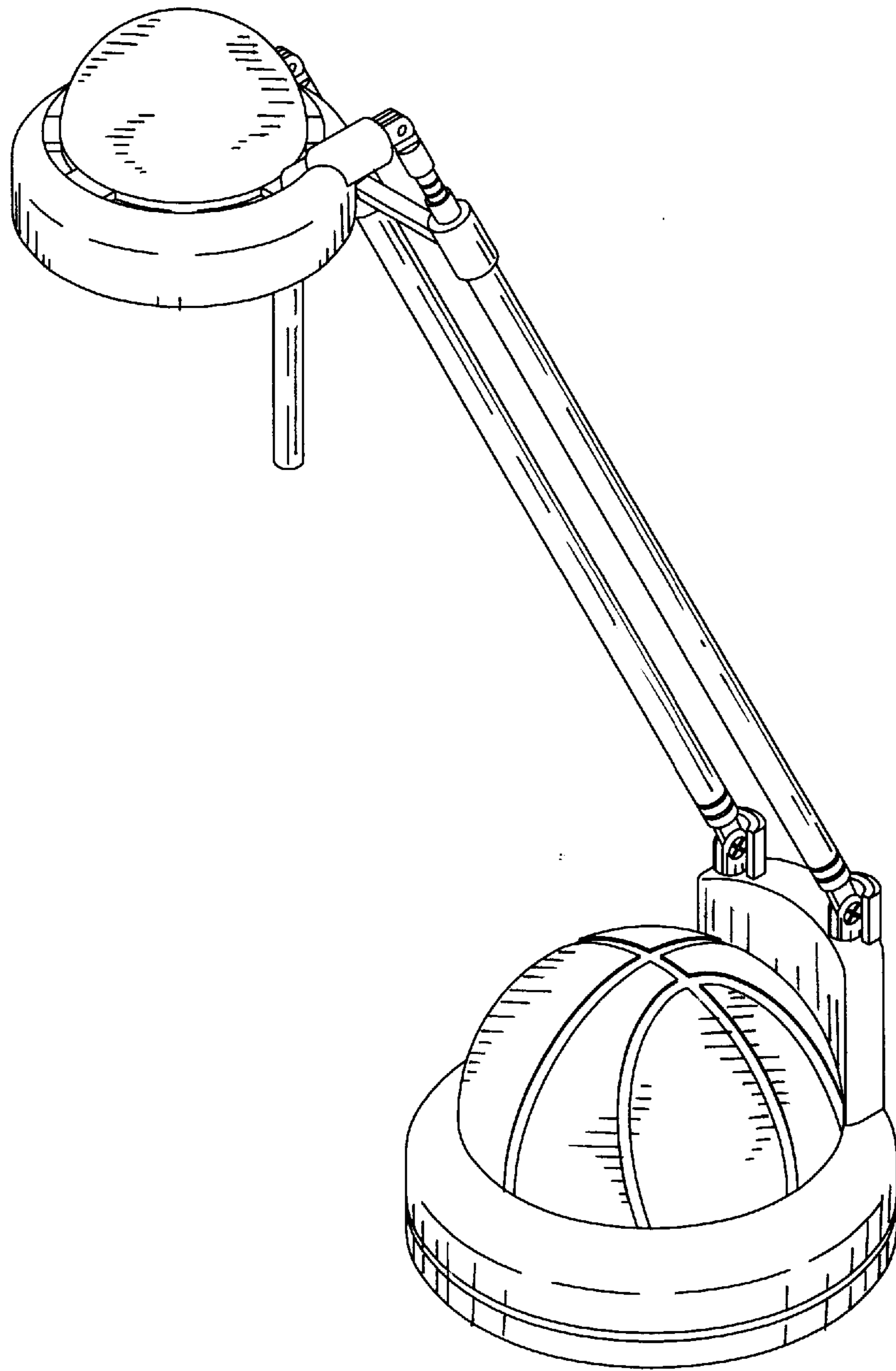


FIG. 1

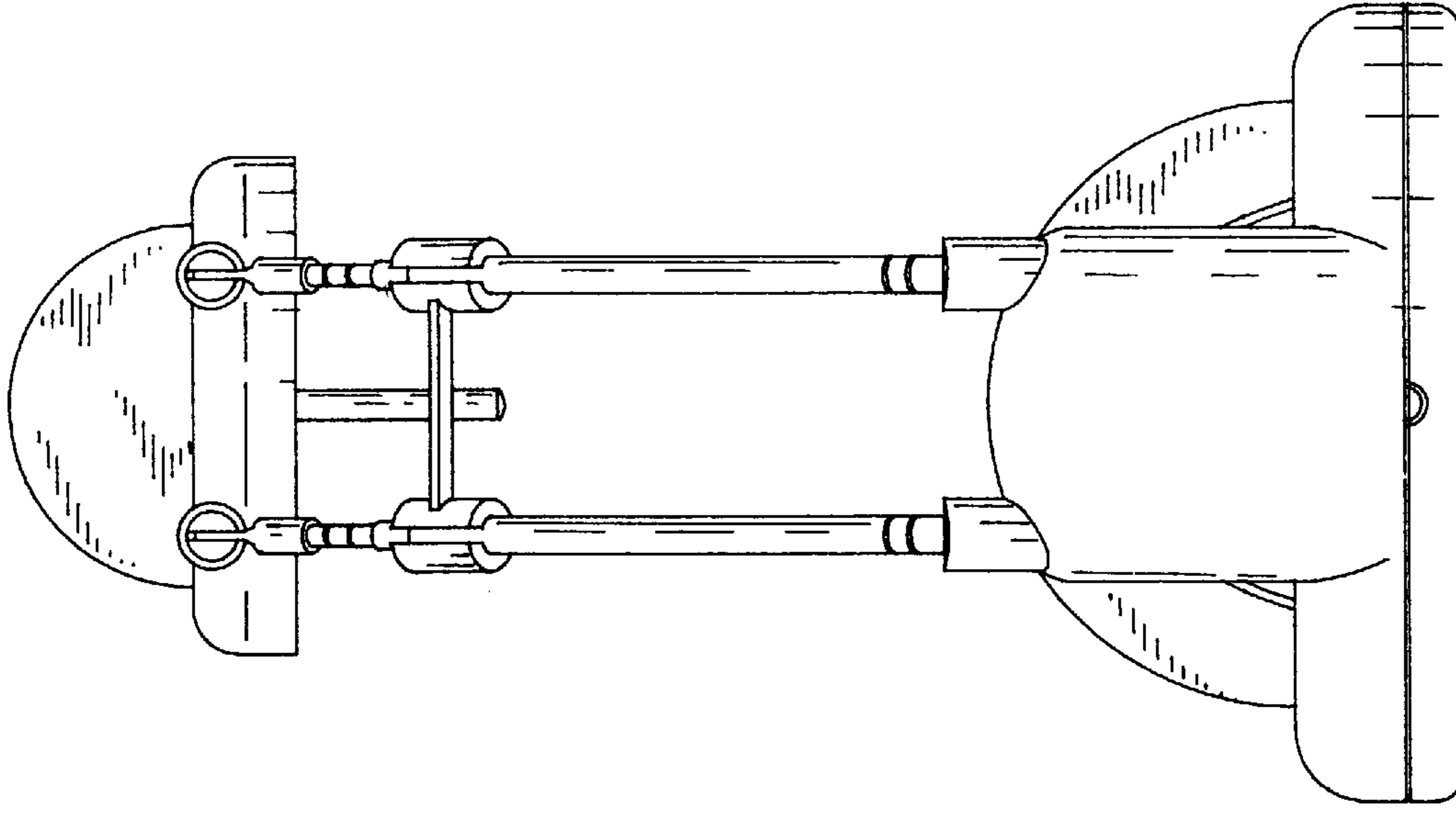


FIG. 3

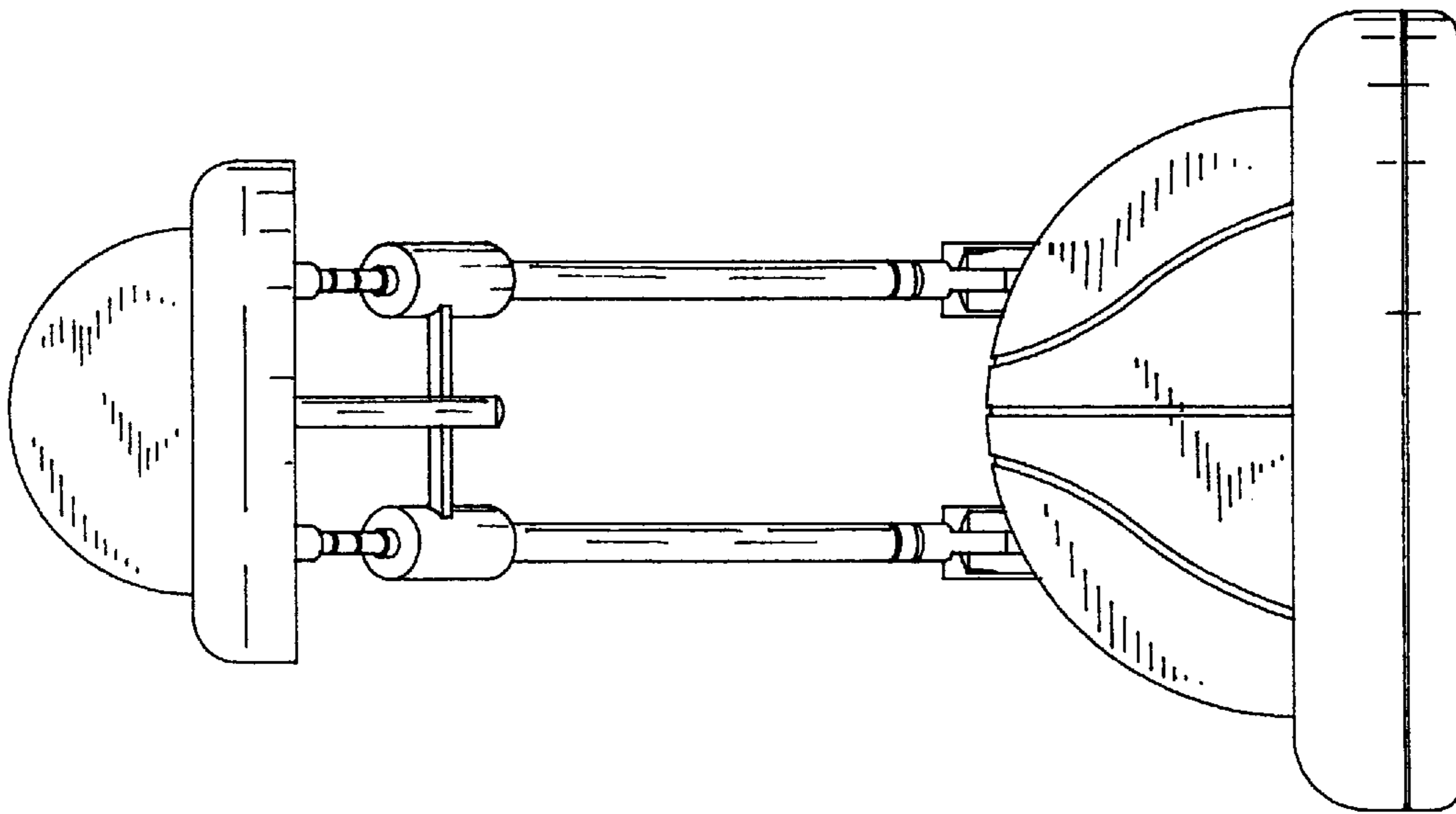


FIG. 2

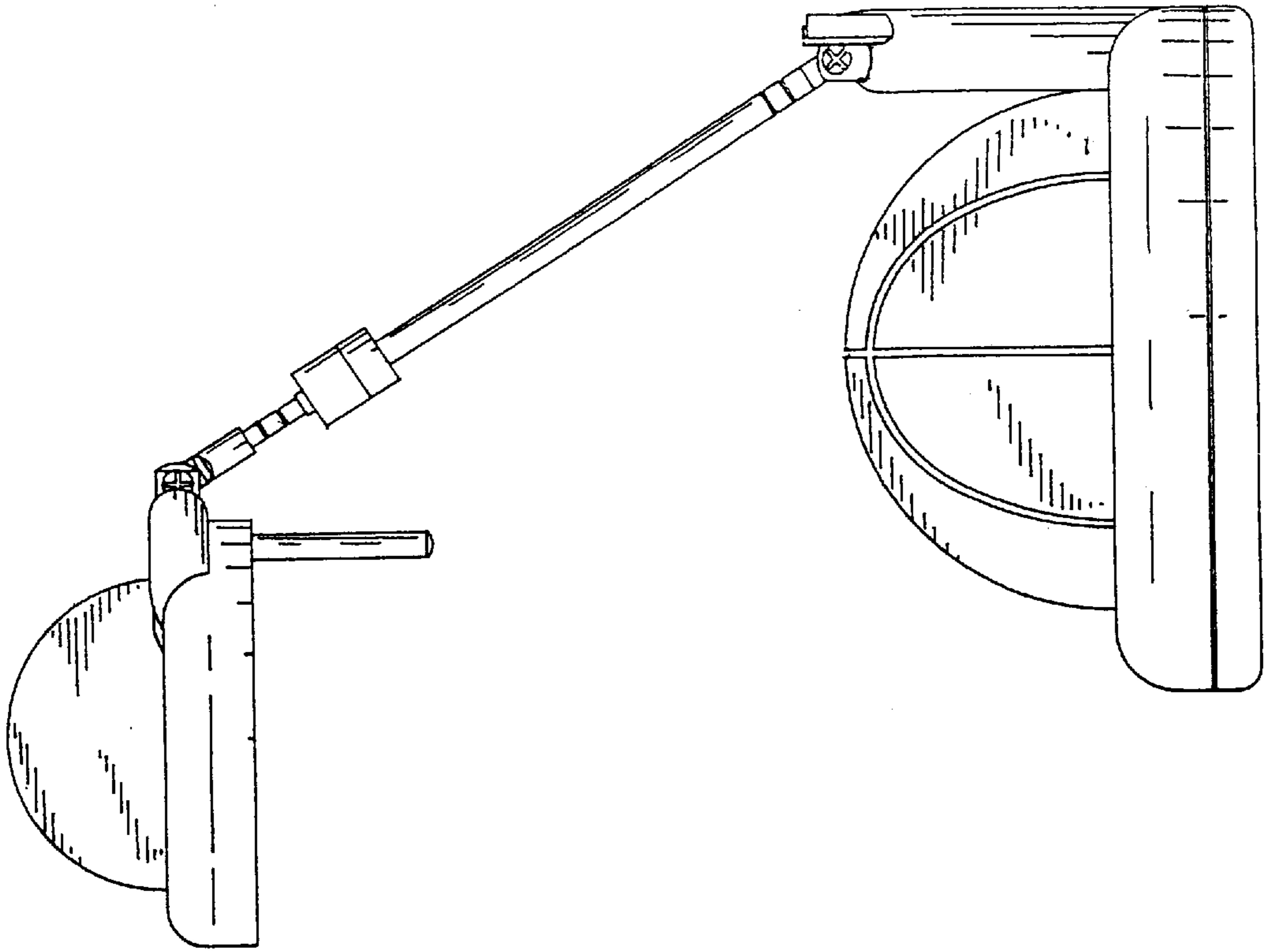


FIG. 5

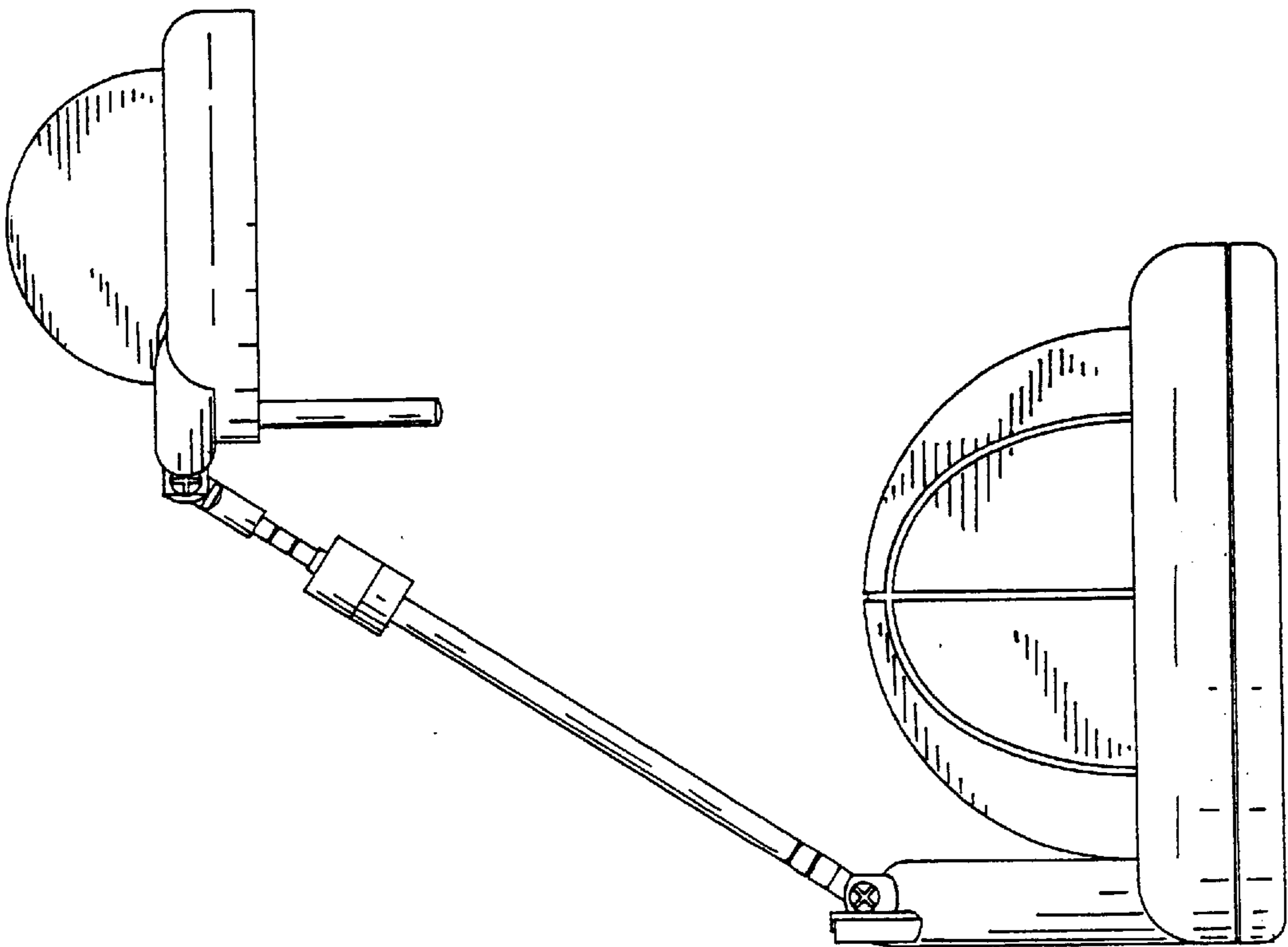


FIG. 4

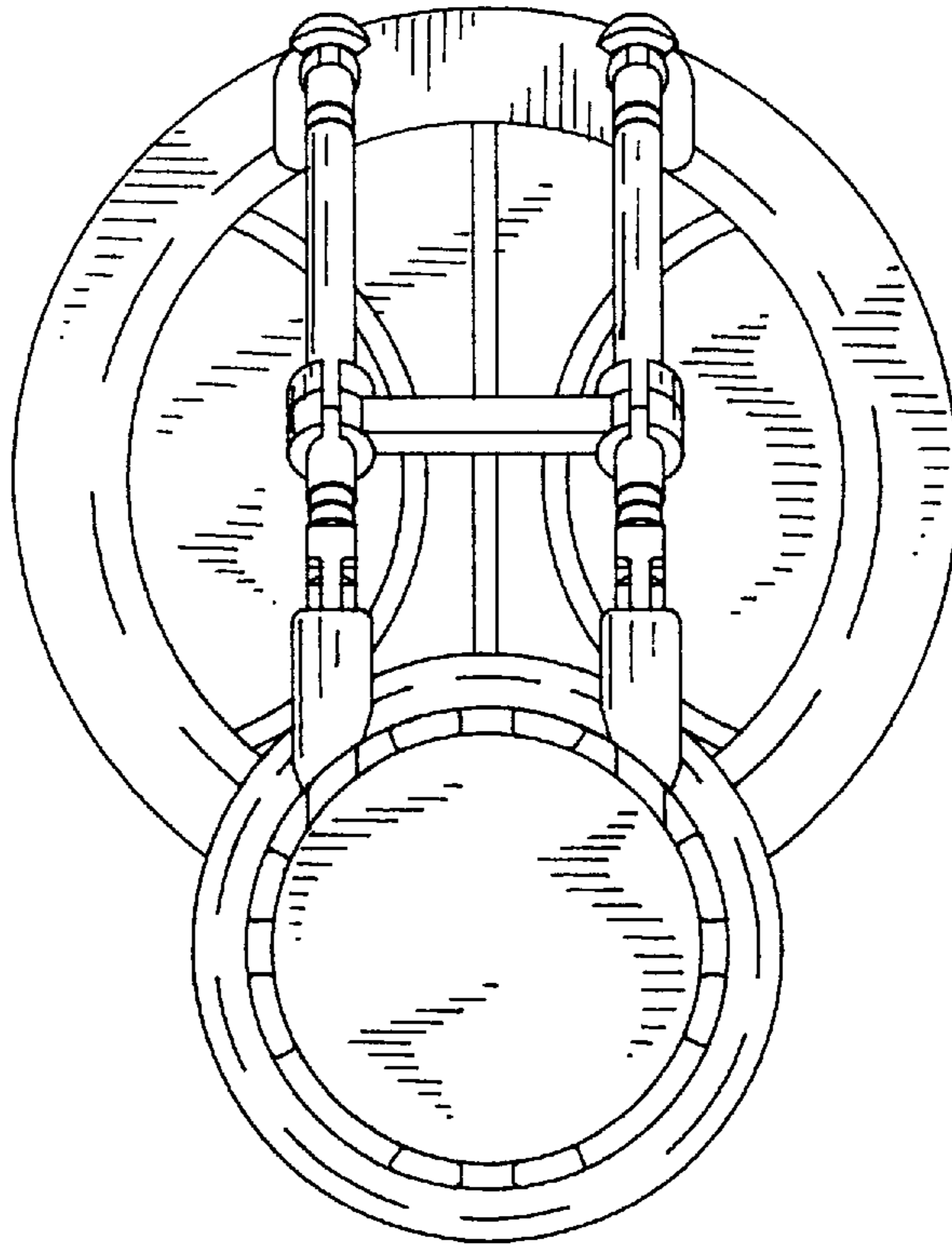


FIG. 6

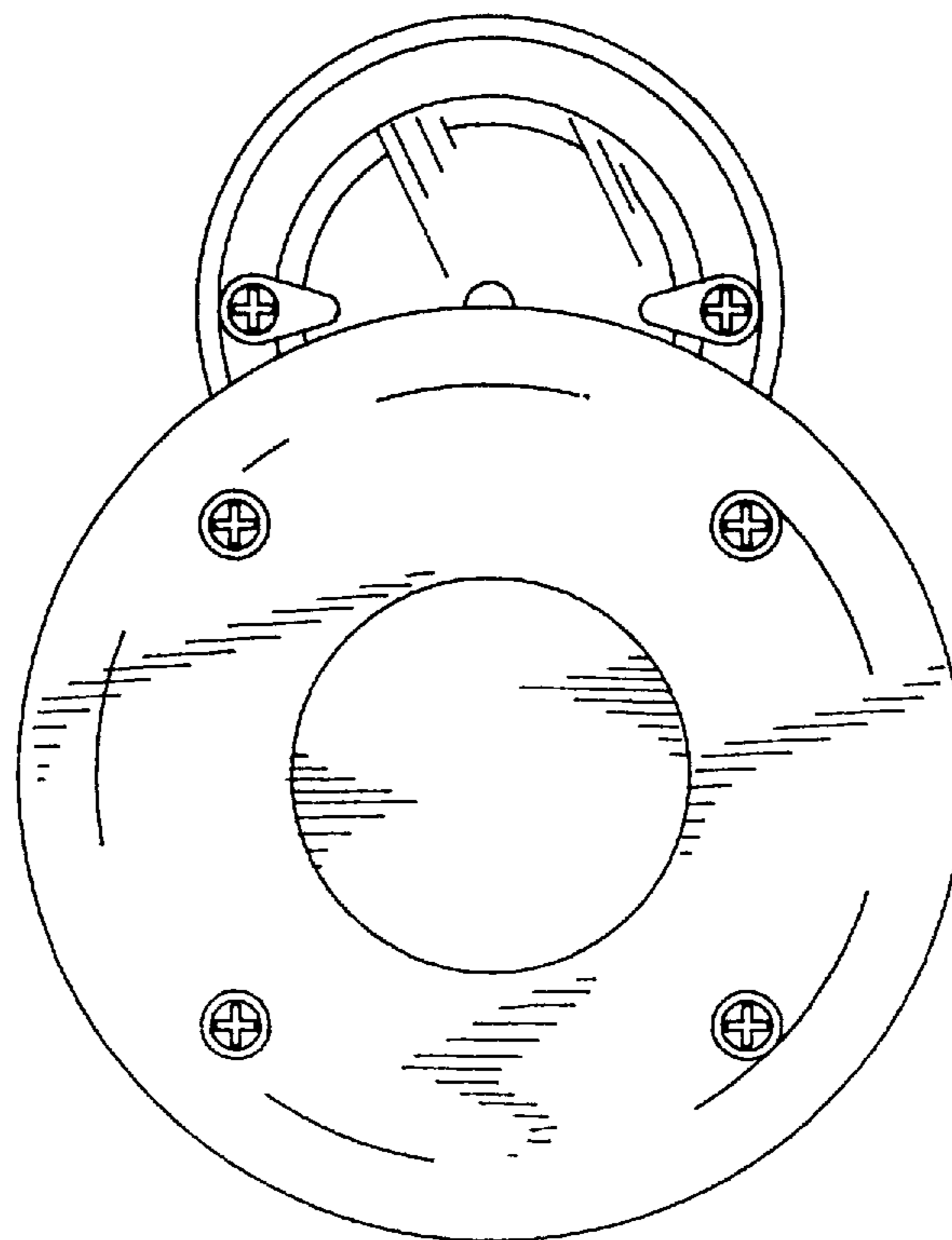


FIG. 7

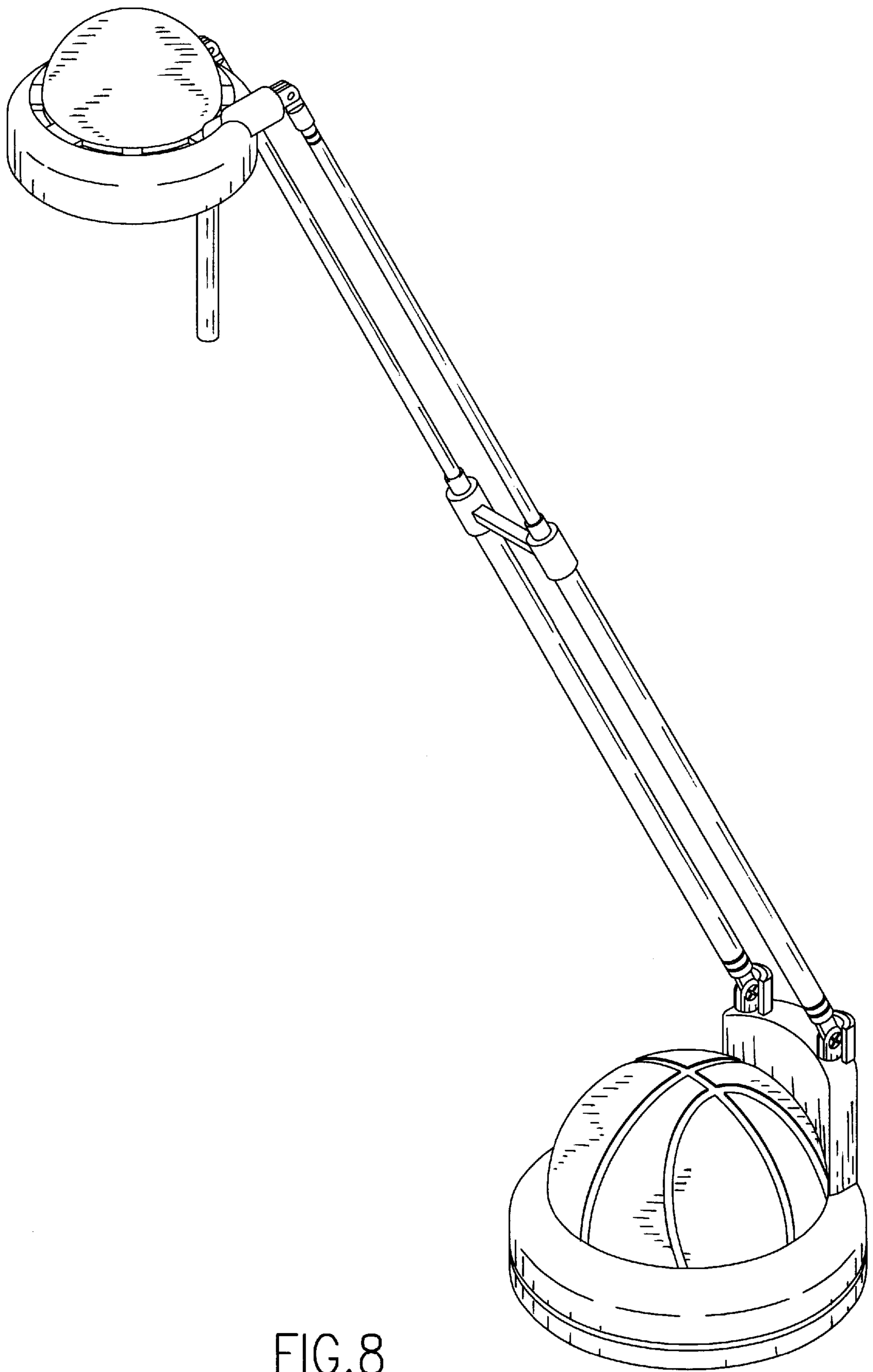


FIG. 8