



US00D405904S

United States Patent [19] Huang

[11] Patent Number: Des. 405,904

[45] Date of Patent: **Feb. 16, 1999

[54] **COMBINED TORCHIERE LAMP AND ADJUSTABLE LIGHT**

[76] Inventor: **Thomas M Huang**, 5649 N. Peck Rd., Arcadia, Calif. 91006

[**] Term: **14 Years**

[21] Appl. No.: **50,405**

[22] Filed: **Feb. 16, 1996**

[51] **LOC (6) Cl.** **26-05**

[52] **U.S. Cl.** **D26/65; D26/93**

[58] **Field of Search** D26/93, 102-112, D26/61, 63, 65; 362/269, 275, 287, 410-414, 418, 419, 427

[56] **References Cited**

U.S. PATENT DOCUMENTS

D. 369,425 4/1996 Swanson D26/63
4,974,135 11/1990 Chen 362/413 X

OTHER PUBLICATIONS

Abitare, Dec. 1988, p. 207, Floor Lamp.
Nessen Lamps Inc. Catalog, ©1981, p. 7, Low Reading Lamp TMNFI066.
D-78019-07; "Reading Companion" by Trend Lighting Corp.; p. 4, 1996.
D-71295-07; "Reading Companion" by Trend Lighting Corp.; p. 3, 1996.
D-1020-57; "Reading Companion" by Trend Lighting Corp.; p. 6, 1996.
TR5922-07; "Reading Companion" by Trend Lighting Corp.; p. 5, 1996.
D1005-07; by Diamond Classics; p. 10, 1994.
D1005-70; by Diamond Classics; p. 10, 1994.
D6204-60; by Diamond Classics; p. 14, 1994.
TR5931-37; "Reading Companion" by Trend Lighting Corp.; p. 6, 14, 1996.
TR5931-07; "Reading Companion" by Trend Lighting Corp.; p. 6, 14, 1996.

Primary Examiner—Susan J. Lucas

Attorney, Agent, or Firm—Sheldon & Mak

[57] **CLAIM**

The ornamental design of a combined torchiere lamp and adjustable light, as shown and described.

DESCRIPTION

FIG. 1 is a perspective view of the combined torchiere lamp and adjustable light of my invention; FIG. 2 is a left side view of the lamp of FIG. 1; FIG. 3 is the front elevational view of the lamp of FIG. 1; FIG. 4 is the right side view of the lamp of FIG. 1; FIG. 5 is the rear view of the lamp of FIG. 1; FIG. 6 is the top plan view of the lamp of FIG. 1; FIG. 7 is a bottom plan view of the lamp of FIG. 1; FIG. 8 the lampshade for the adjustable reading lamp being shown detached from the combined torchiere lamp and adjustable reading light for purposes of disclosure is a perspective view of the lamp shade of the lamp in FIG. 1; FIG. 9 is a fragmentary, partially broken away perspective view of the reading lamp, the lamp of FIG. 1 being fragmentarily shown for convenience of illustration; FIG. 10 is a perspective view of another preferred embodiment of the combined torchiere lamp and adjustable light of my invention; FIG. 11 is a left side view of the lamp of FIG. 10; FIG. 12 is the front elevational view of the lamp of FIG. 10; FIG. 13 is the right side view of the lamp of FIG. 10; FIG. 14 is the rear view of the lamp of FIG. 10; FIG. 15 is the top plan view of the lamp of FIG. 10; FIG. 16 is a bottom plan view of the lamp of FIG. 10; FIG. 17 is perspective view of the lamp shade of the lamp in FIG. 10 the lampshade for the adjustable reading lamp being shown detached from the combined torchiere lamp and adjustable reading light for purposes of disclosure; and, FIG. 18 is a fragmentary, partially broken away perspective view of the reading lamp, the lamp of the of FIG. 10 being fragmentarily shown for convenience of illustration. The support arm attached to the reading lamp is rotatable and the reading lamp is also vertically pivotable on the support arm.

1 Claim, 10 Drawing Sheets

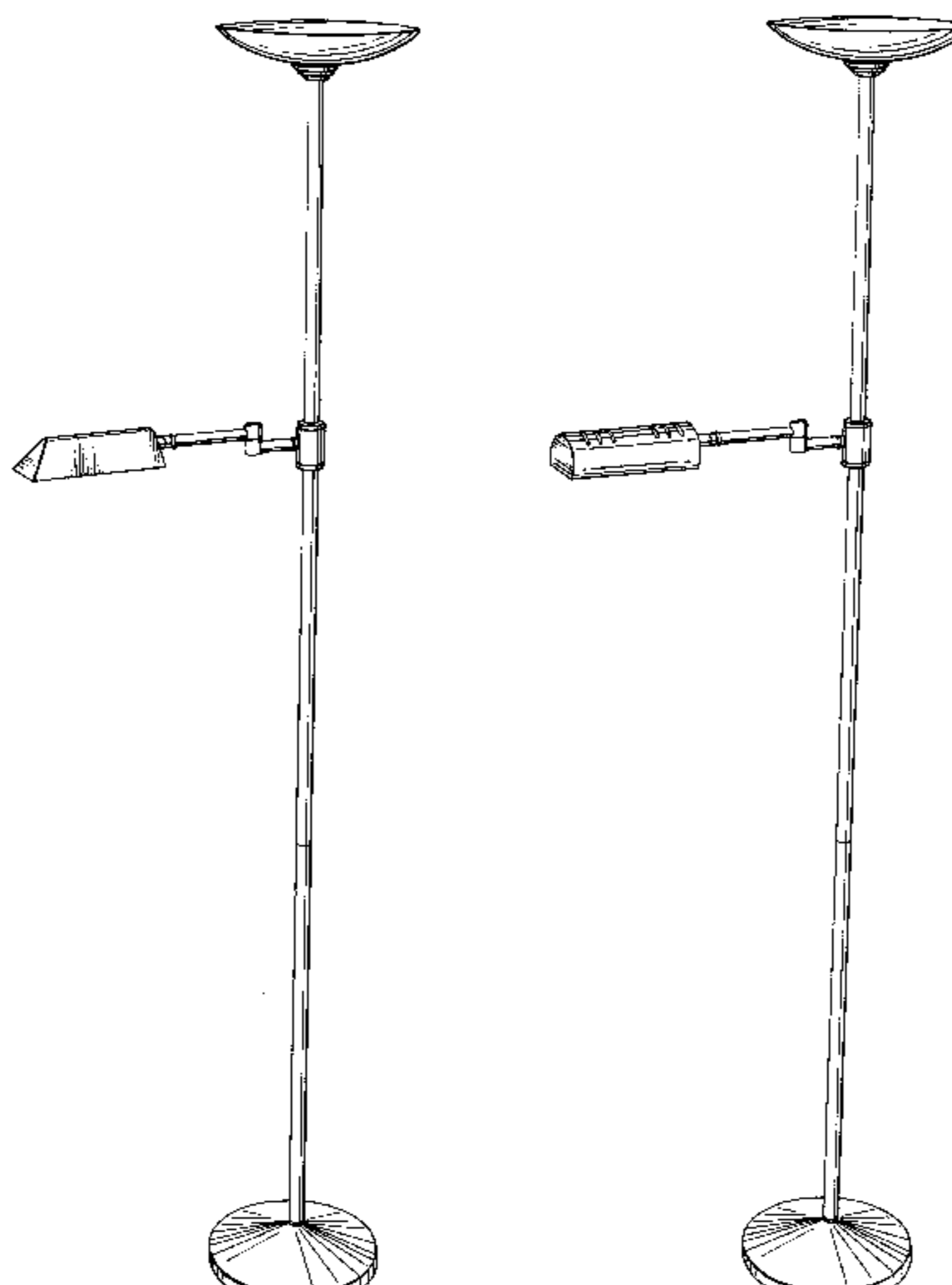
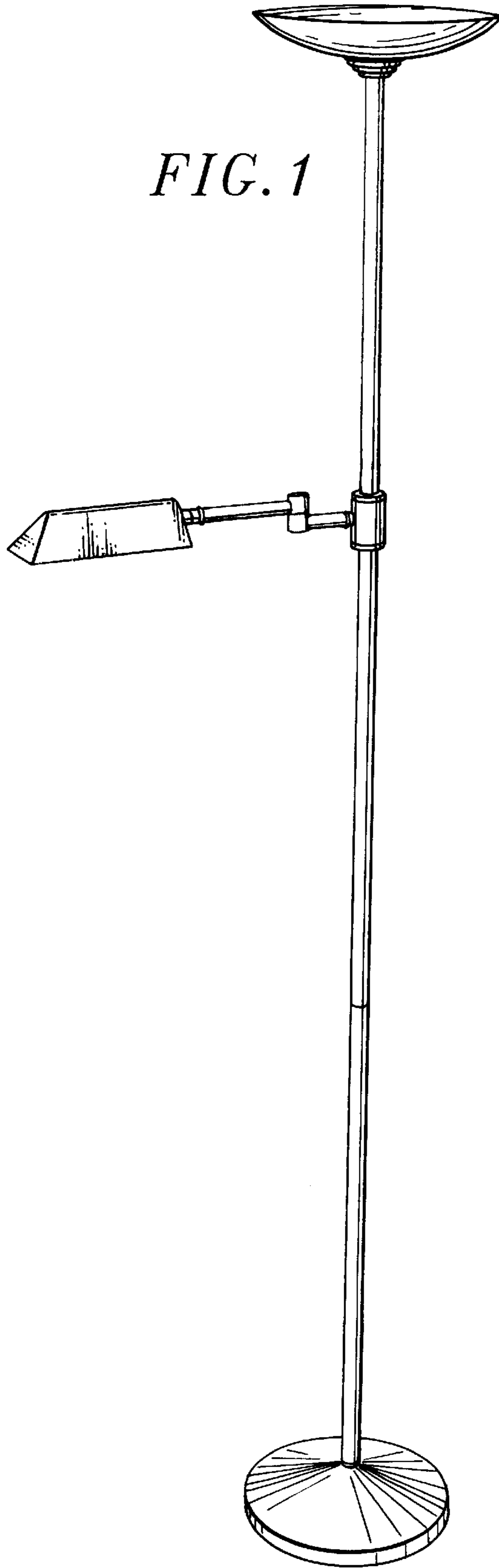
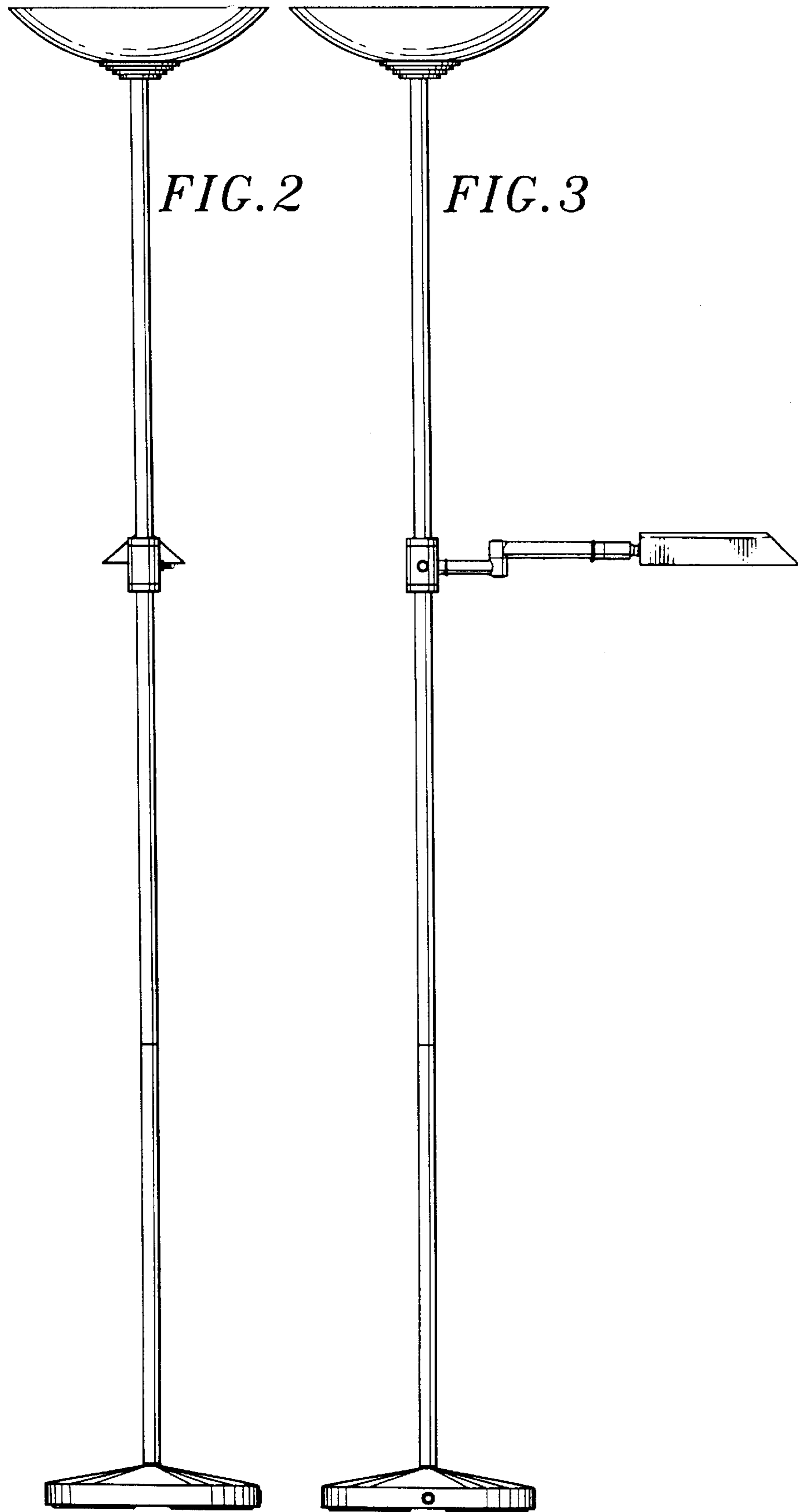


FIG. 1





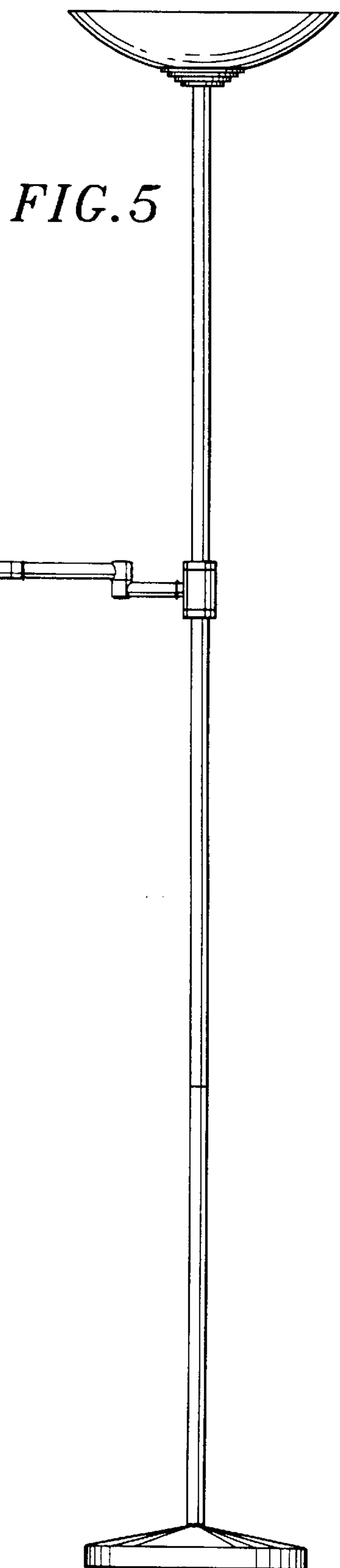
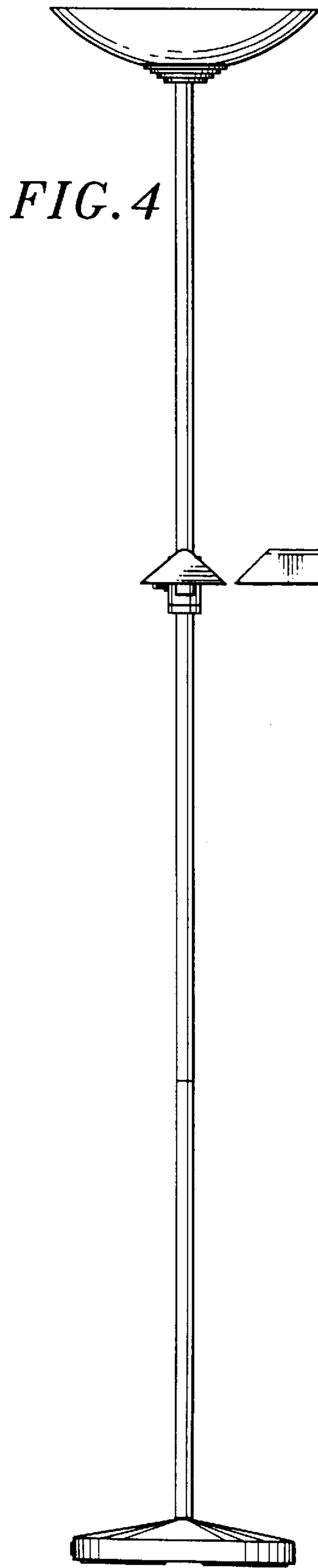


FIG. 6

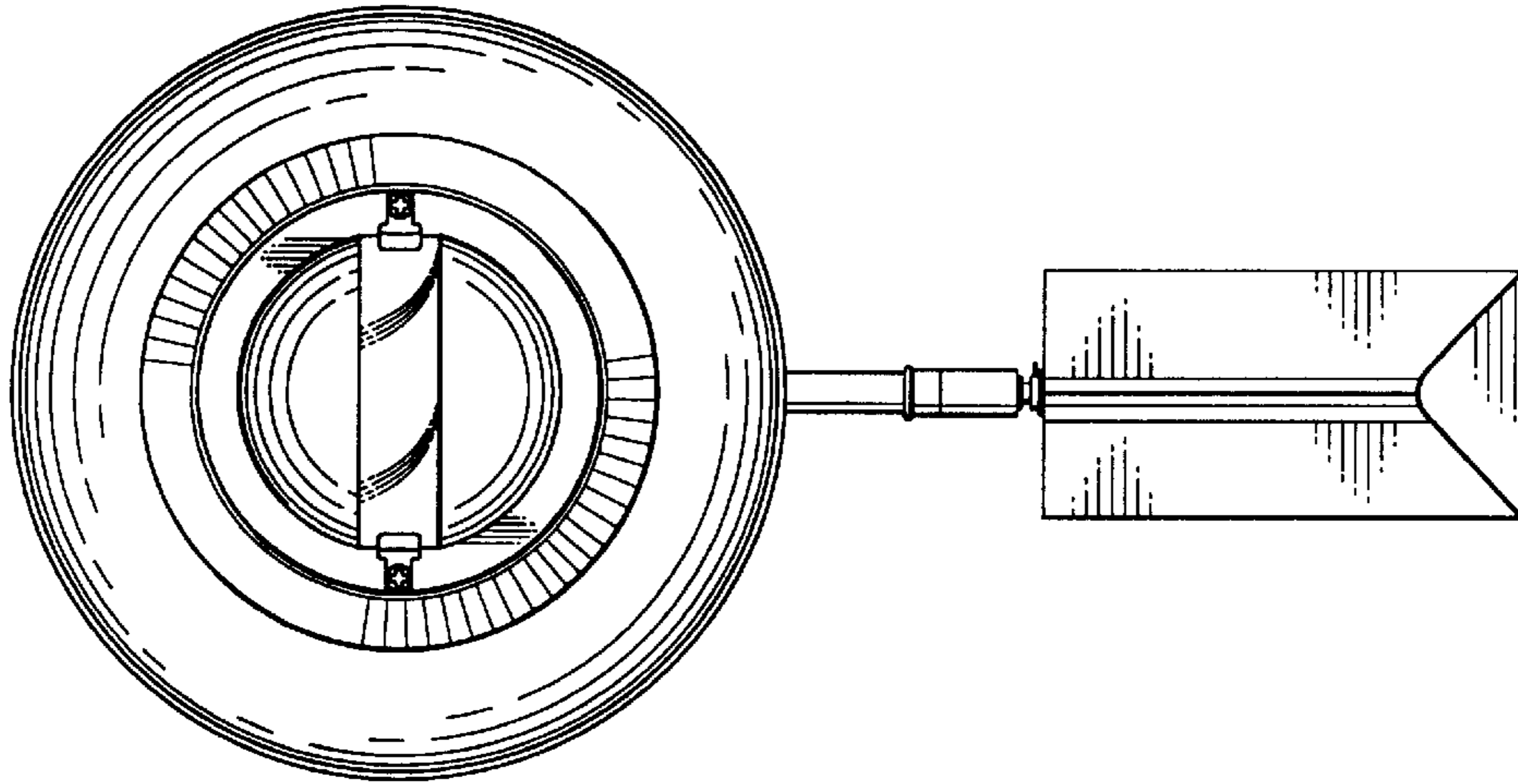


FIG. 7

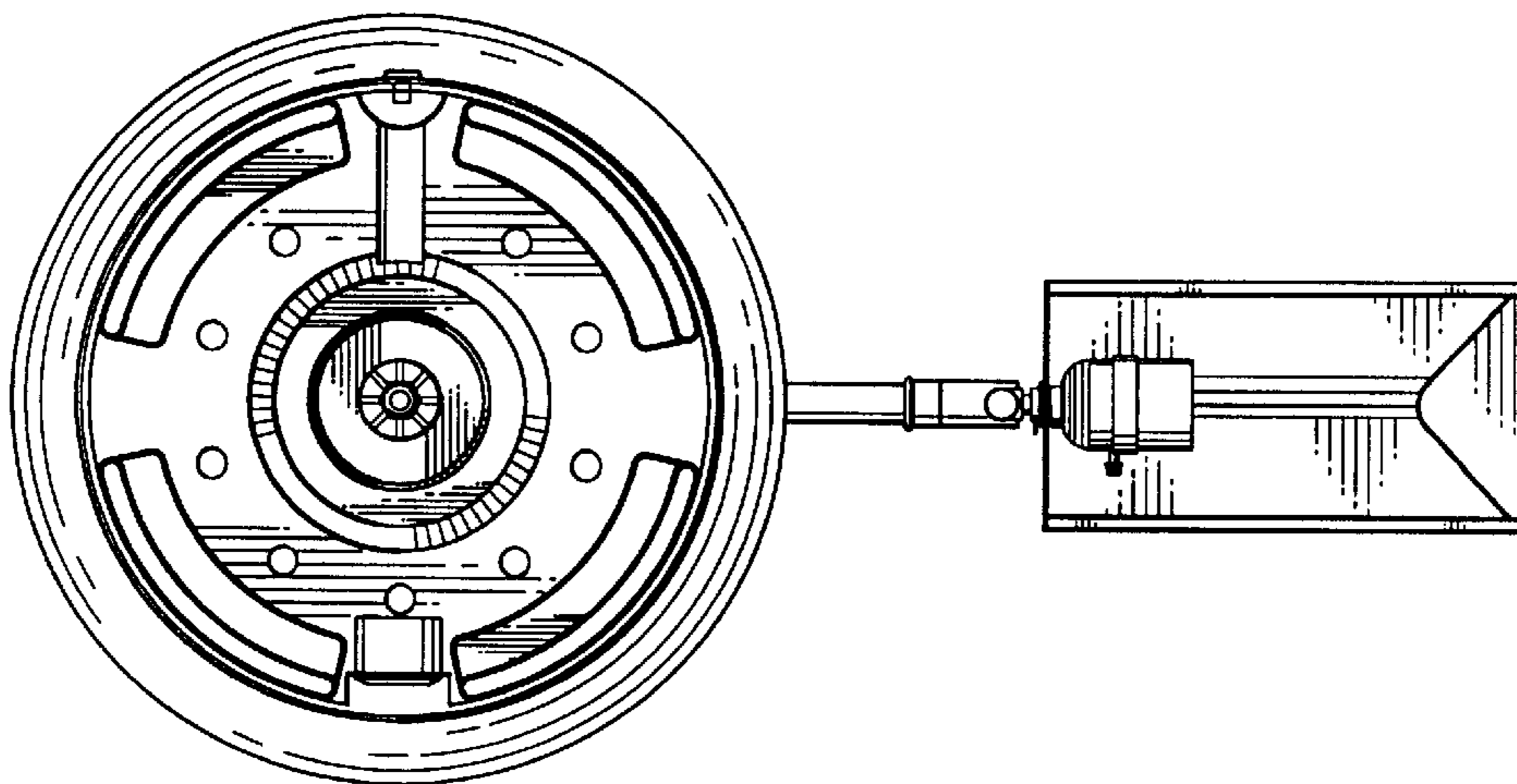


FIG. 8

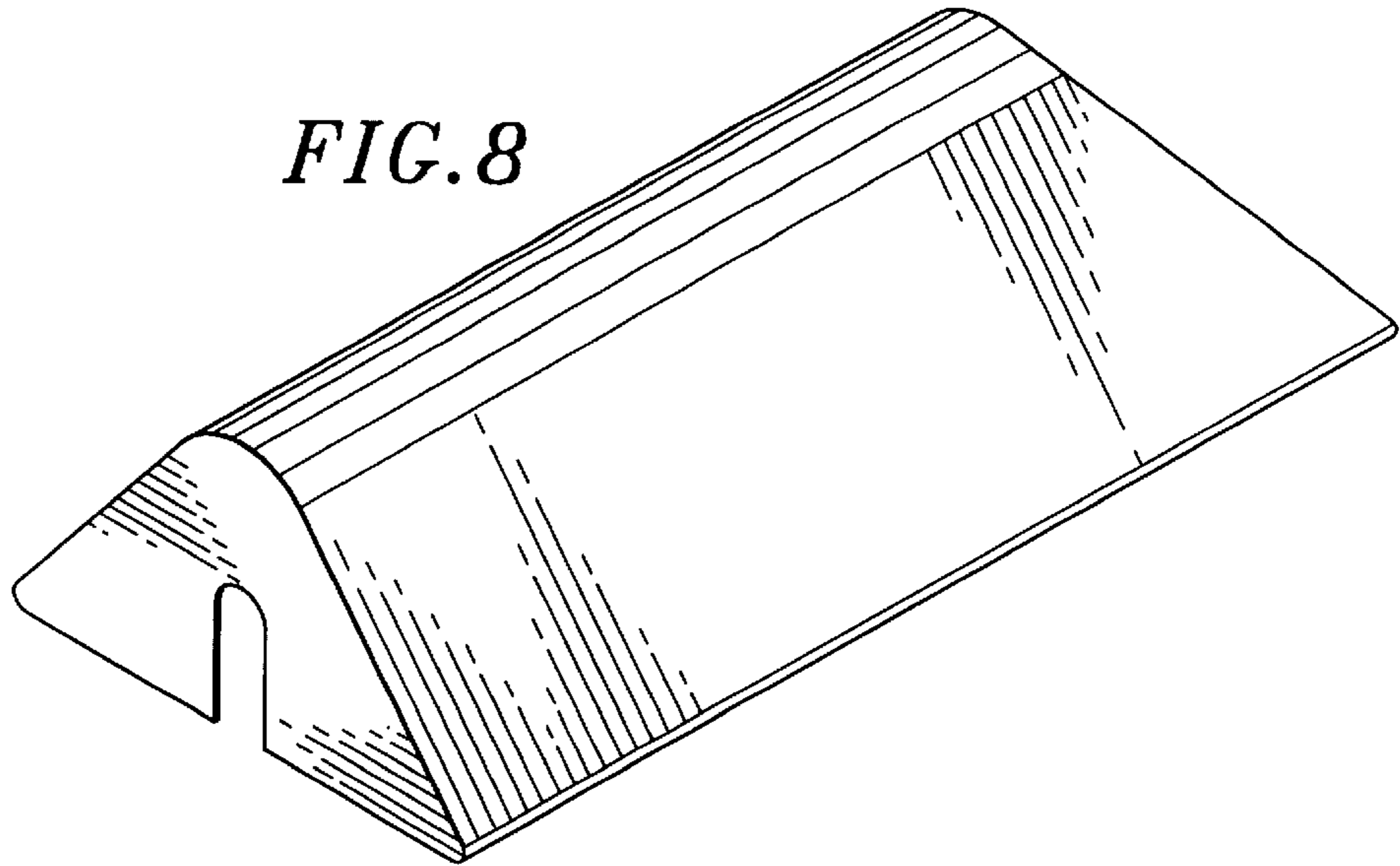
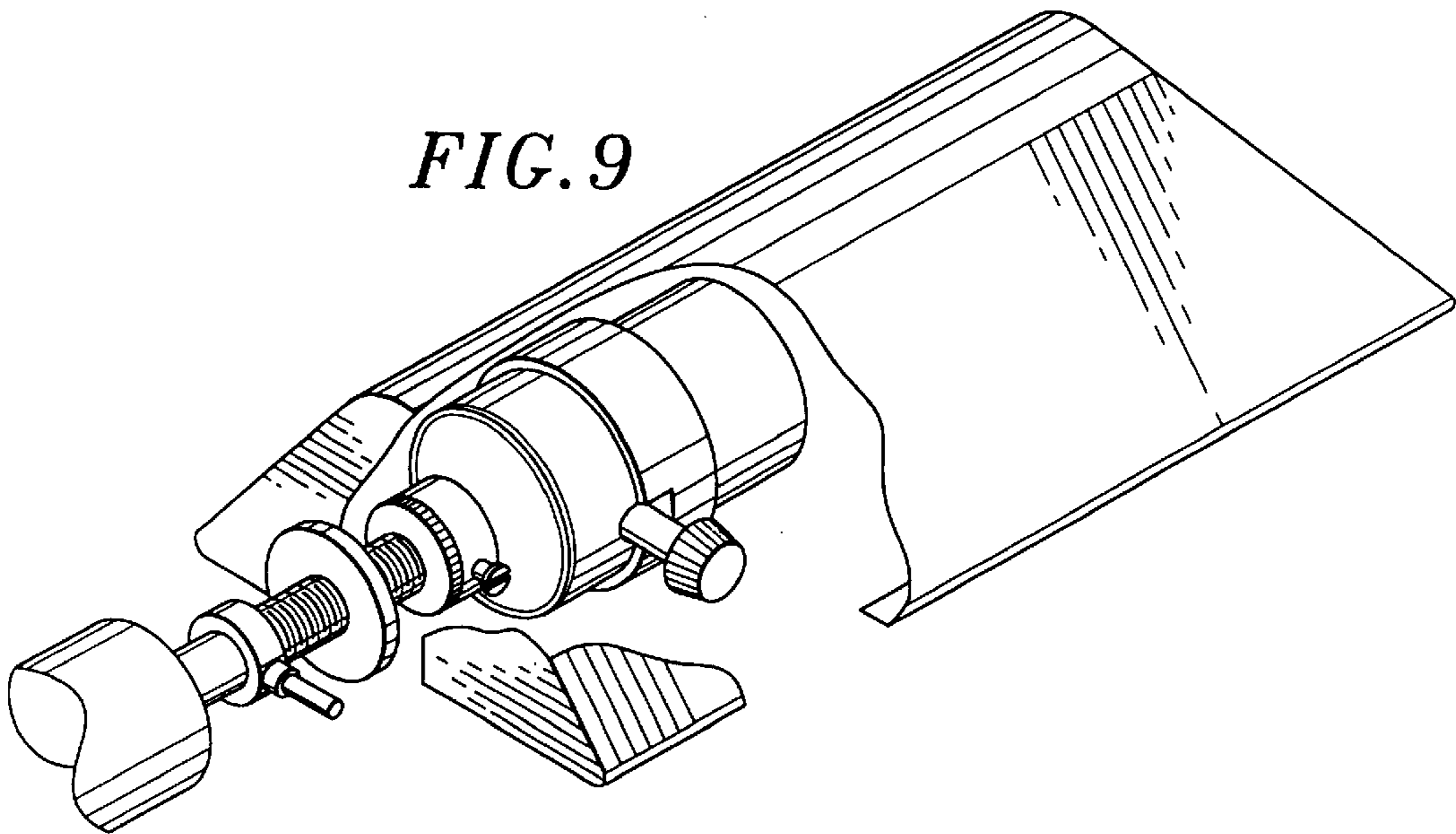
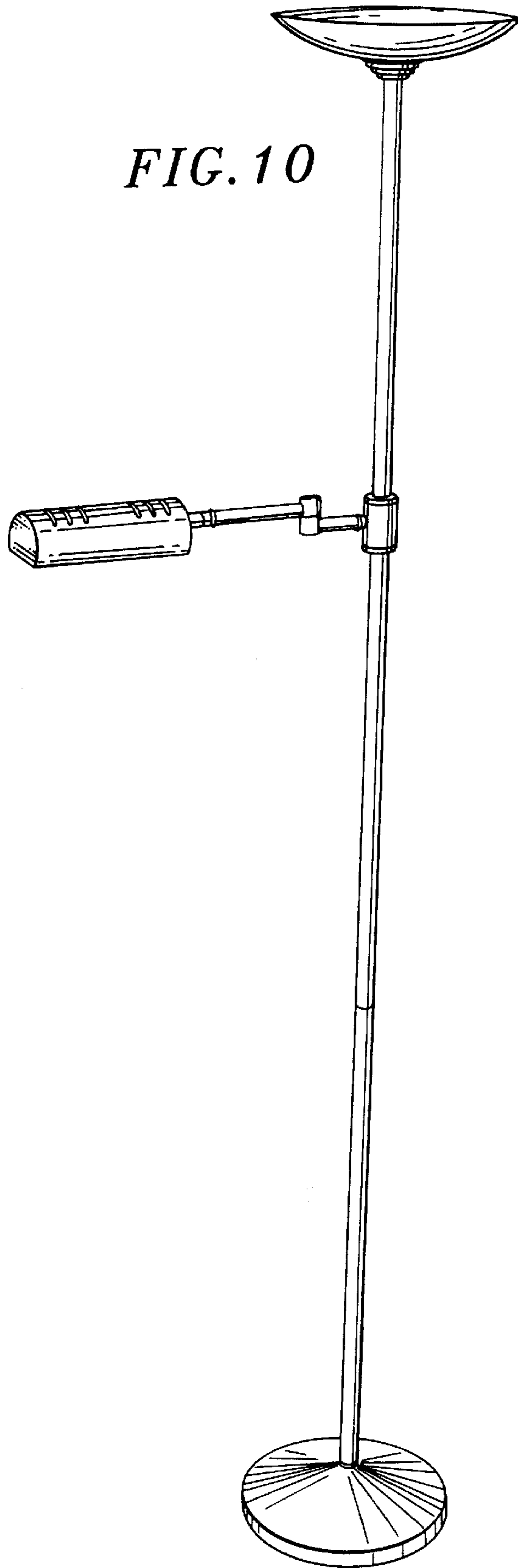
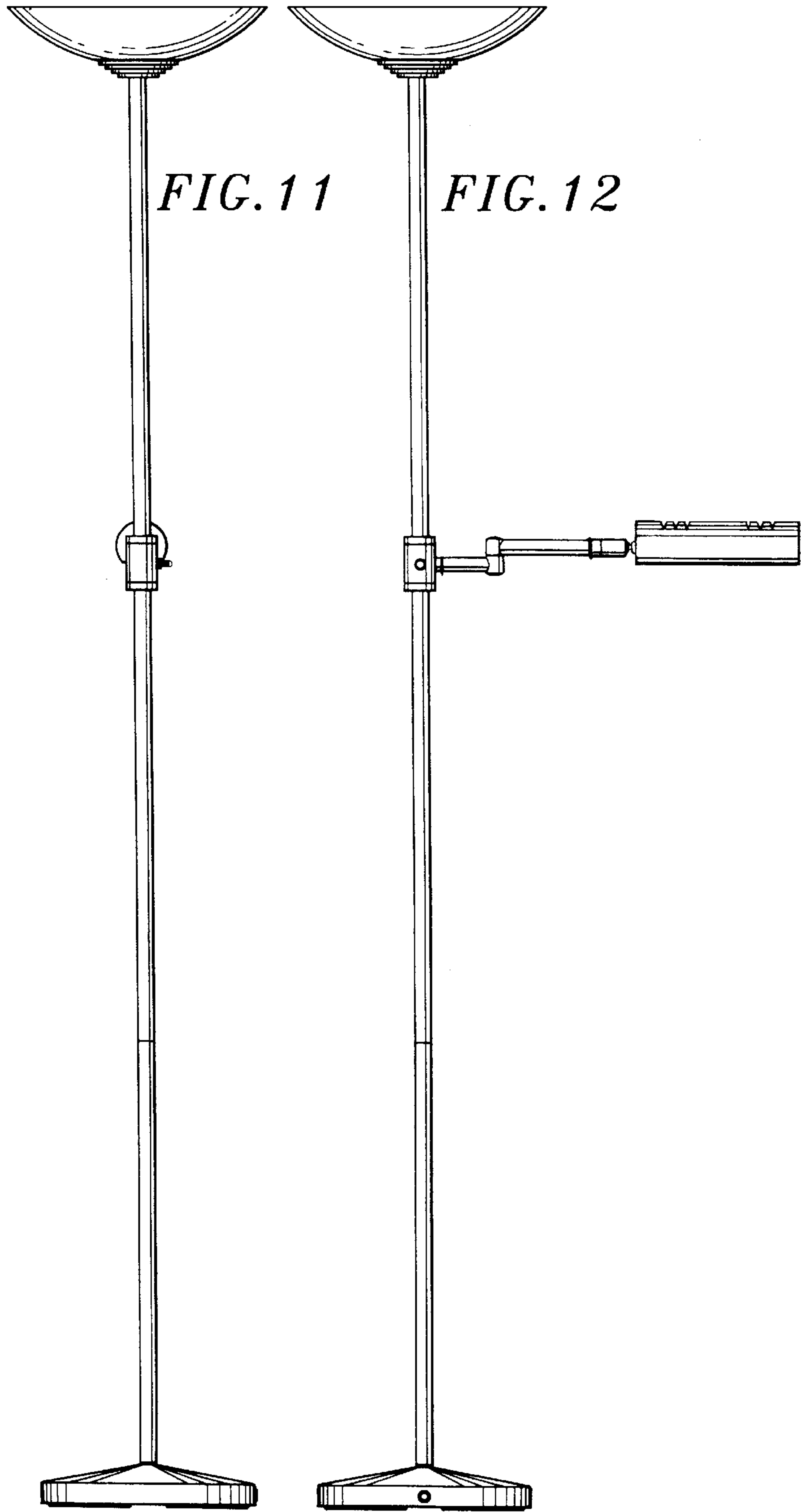


FIG. 9







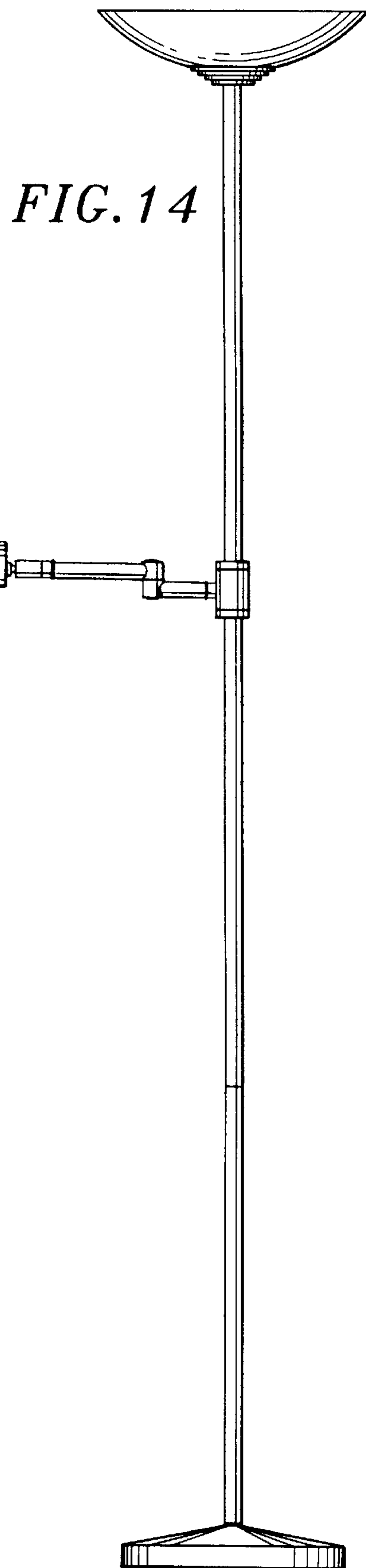
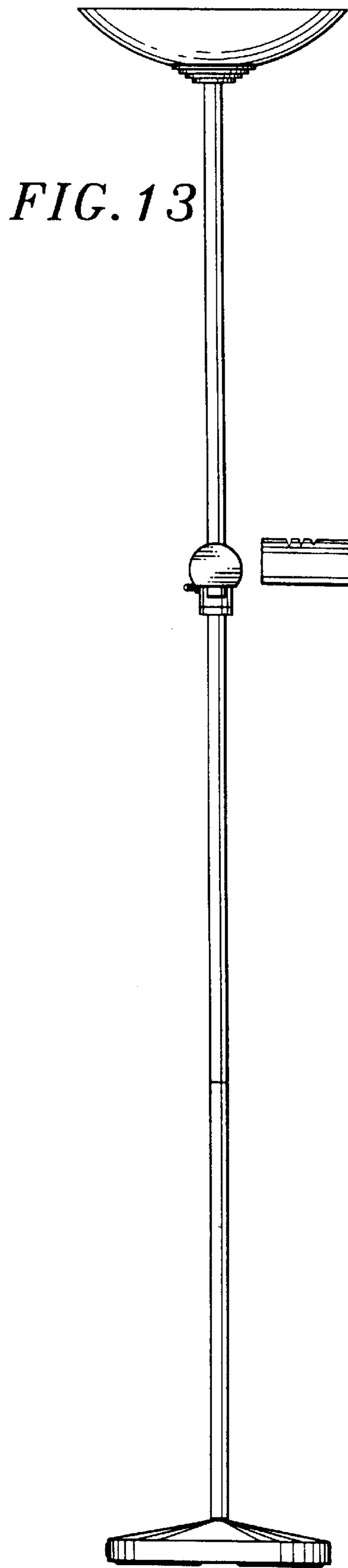


FIG. 15

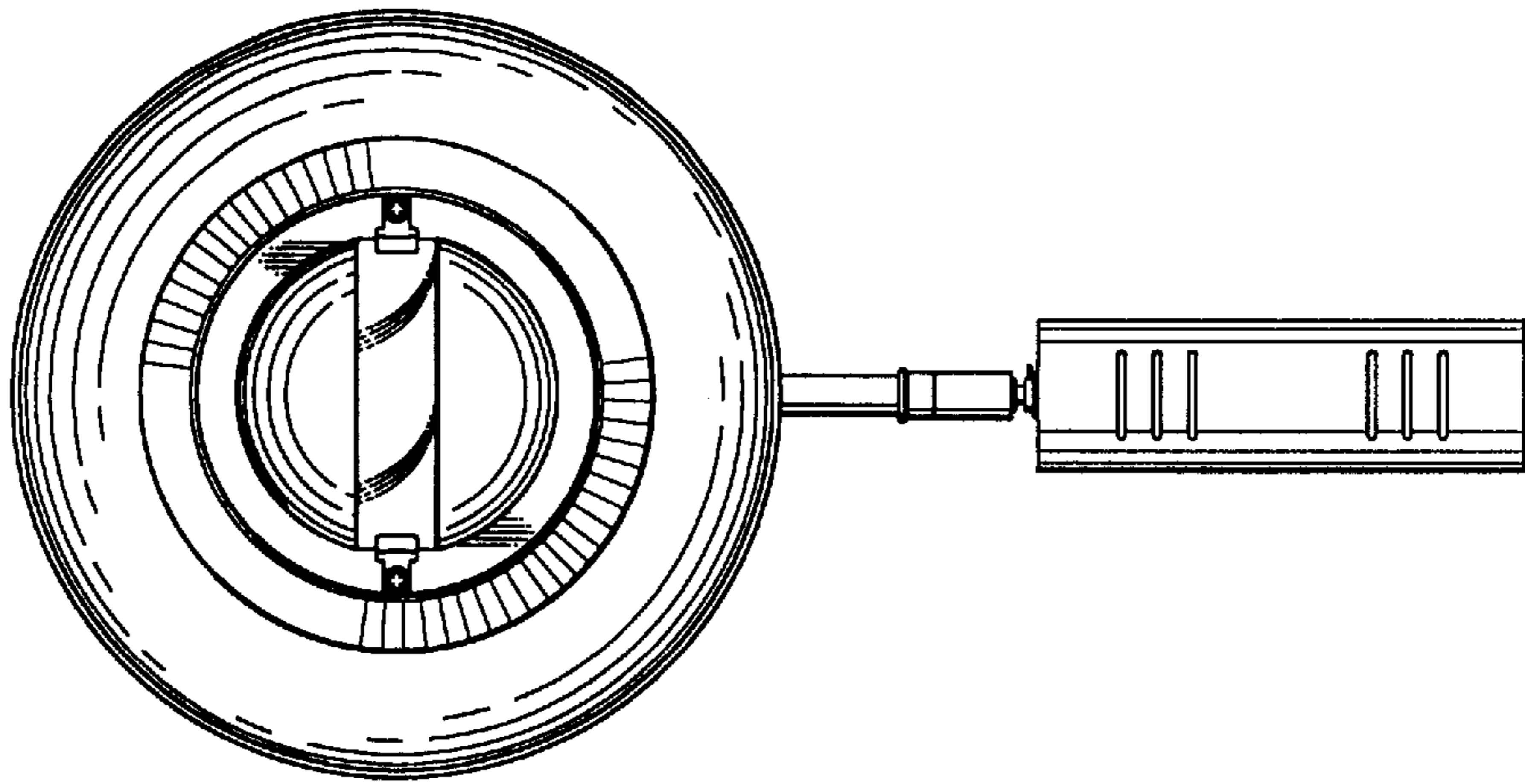


FIG. 16

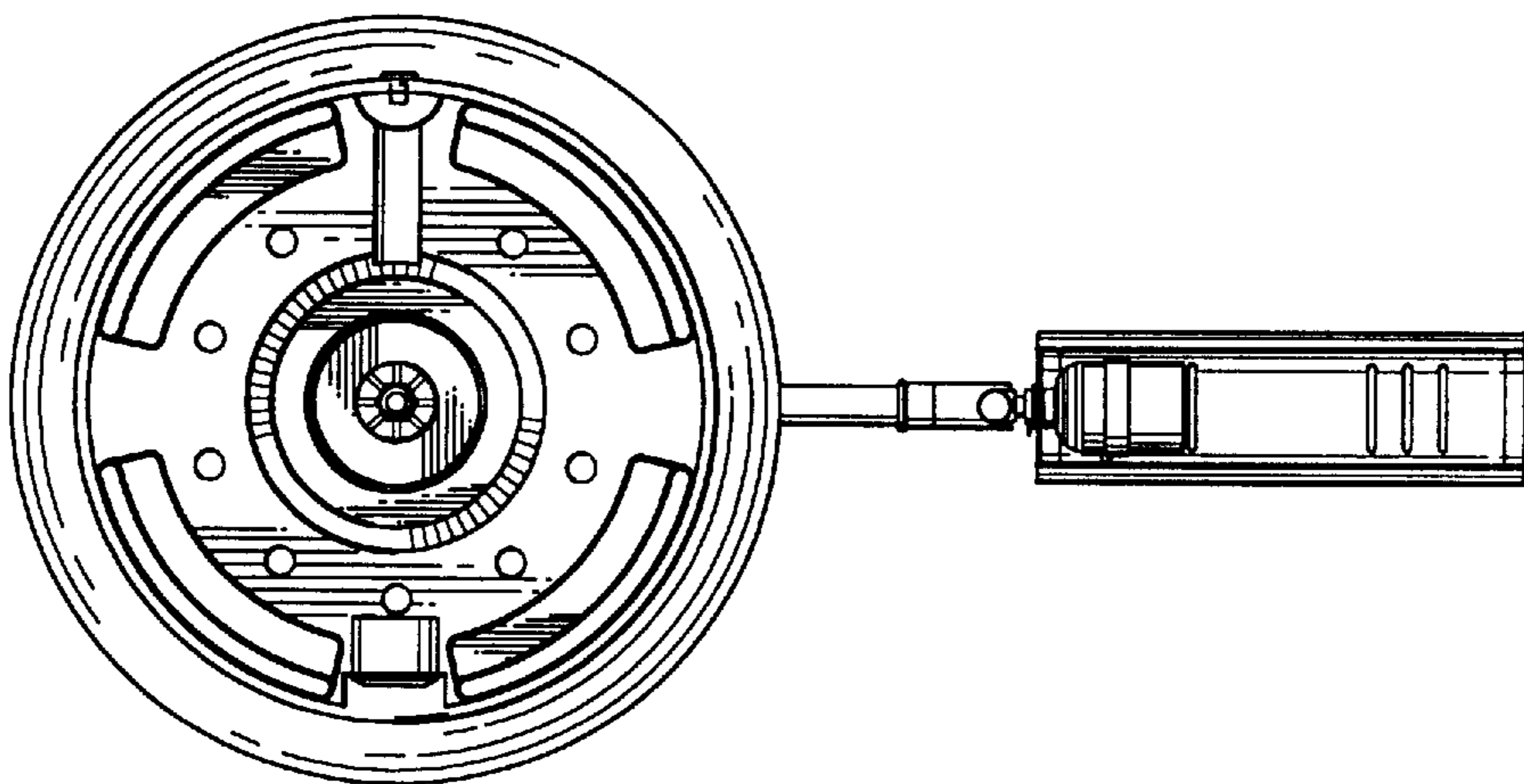


FIG. 17

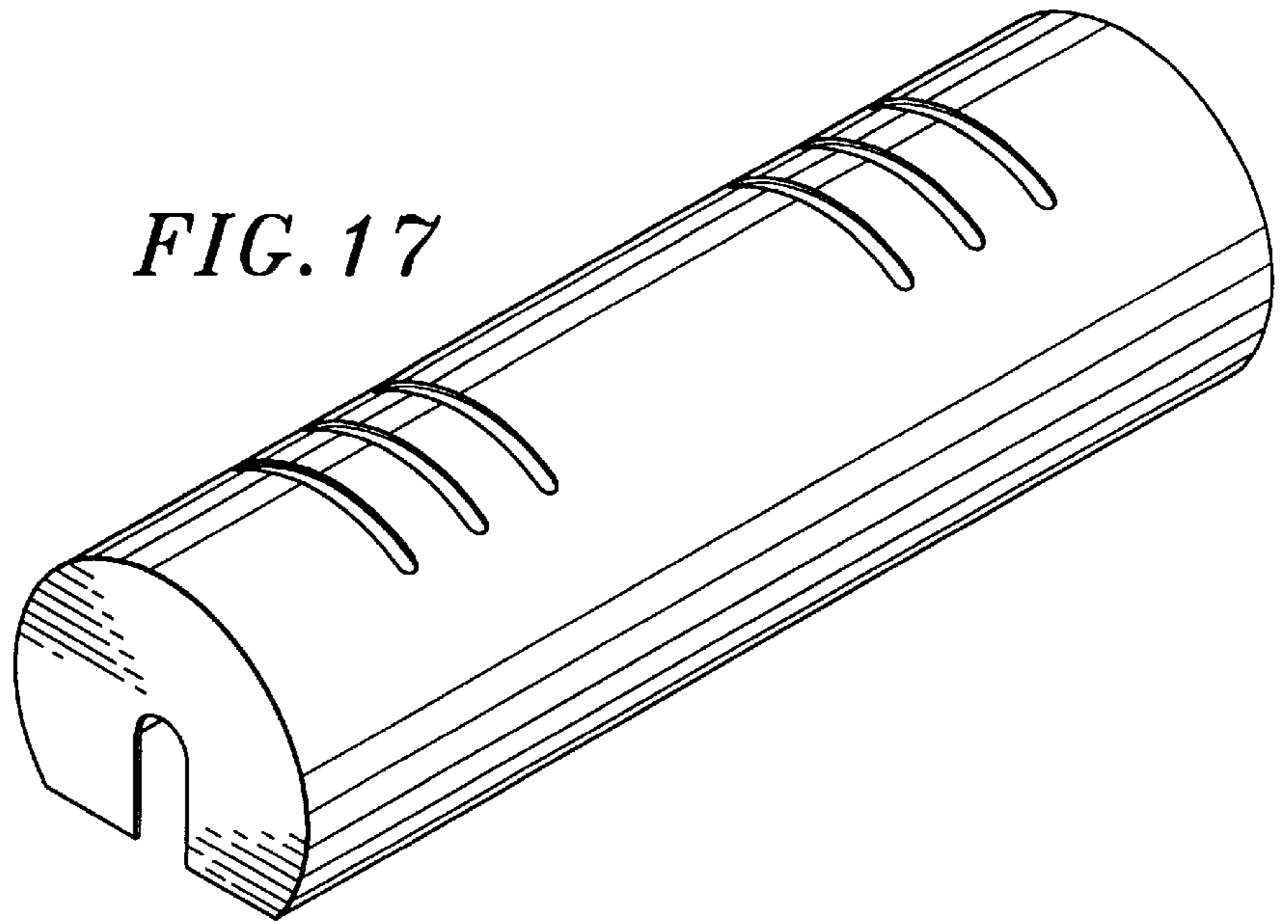


FIG. 18

