



US00D405903S

United States Patent [19]
Lin

[11] **Patent Number: Des. 405,903**

[45] **Date of Patent: **Feb. 16, 1999**

[54] **DESK LAMP**

[76] Inventor: **Jack Lin**, 12F-1, No. 237, Sec. 1, Fu
Shin S. Road, Taipei, Taiwan

[**] Term: **14 Years**

[21] Appl. No.: **88,633**

[22] Filed: **May 27, 1998**

[51] **LOC (6) Cl.** **26-05**

[52] **U.S. Cl.** **D26/64; D26/63**

[58] **Field of Search** **D26/60-66; 362/267,**
362/275, 285, 287, 410-413

[56] **References Cited**

U.S. PATENT DOCUMENTS

D. 368,549 4/1996 Huang D26/63 X
5,050,054 9/1991 Hsu 362/413 X

OTHER PUBLICATIONS

Hong Kong Enterprise, p. 580, desk lamp #VR228C, Jun.
1994.

Primary Examiner—Susan J. Lucas

[57] **CLAIM**

The ornamental design for desk lamp, as shown and
described.

DESCRIPTION

FIG. 1 is the perspective view of a desk lamp showing my
new design;

FIG. 2 is the front elevational view thereof;

FIG. 3 is the rear elevational view thereof;

FIG. 4 is the left side elevational view thereof;

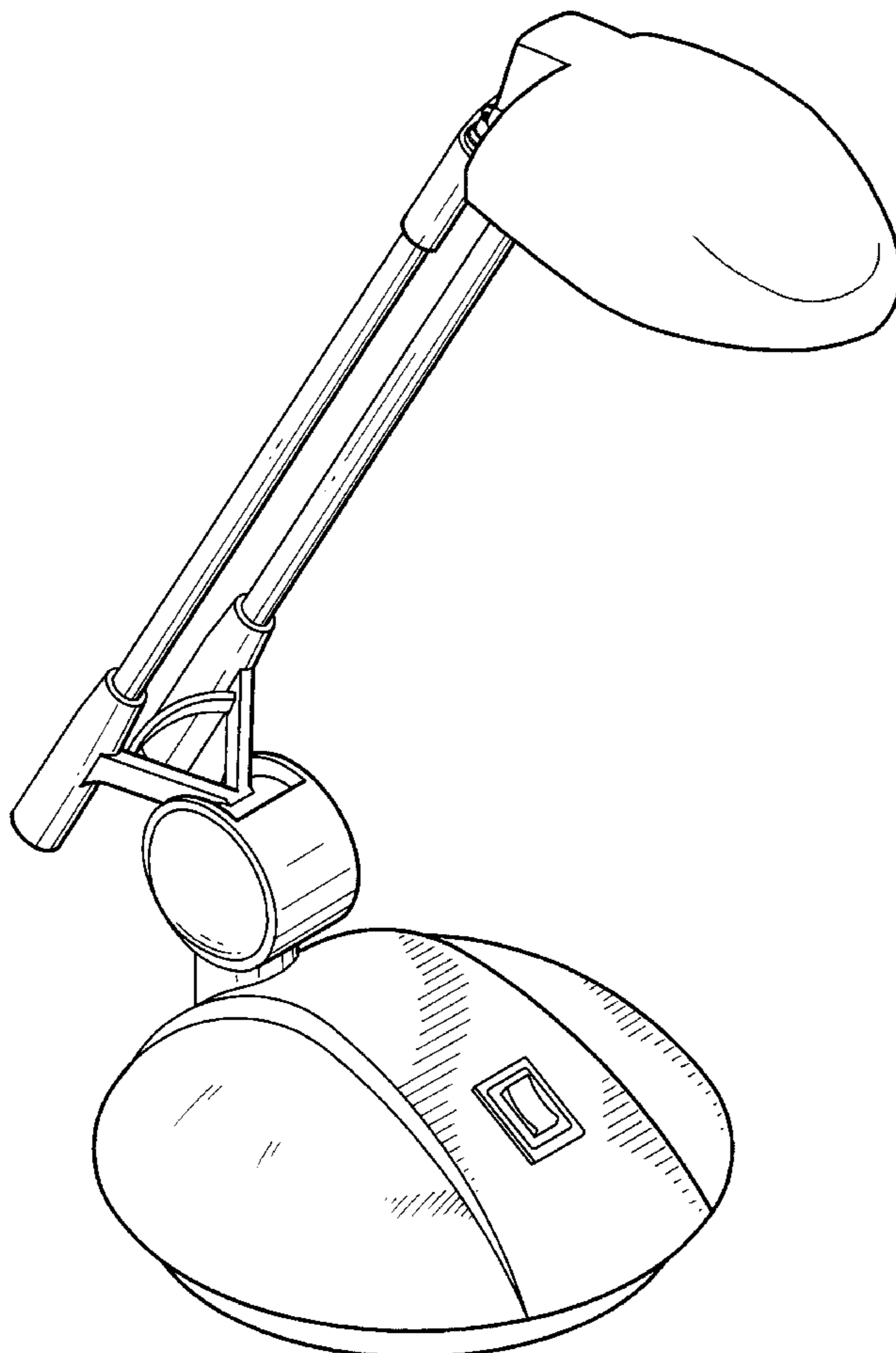
FIG. 5 is the right side elevational view thereof;

FIG. 6 is the top plan view thereof; and

FIG. 7 is the bottom plan view thereof; and,

FIG. 8 is a rear perspective view thereof.

1 Claim, 7 Drawing Sheets



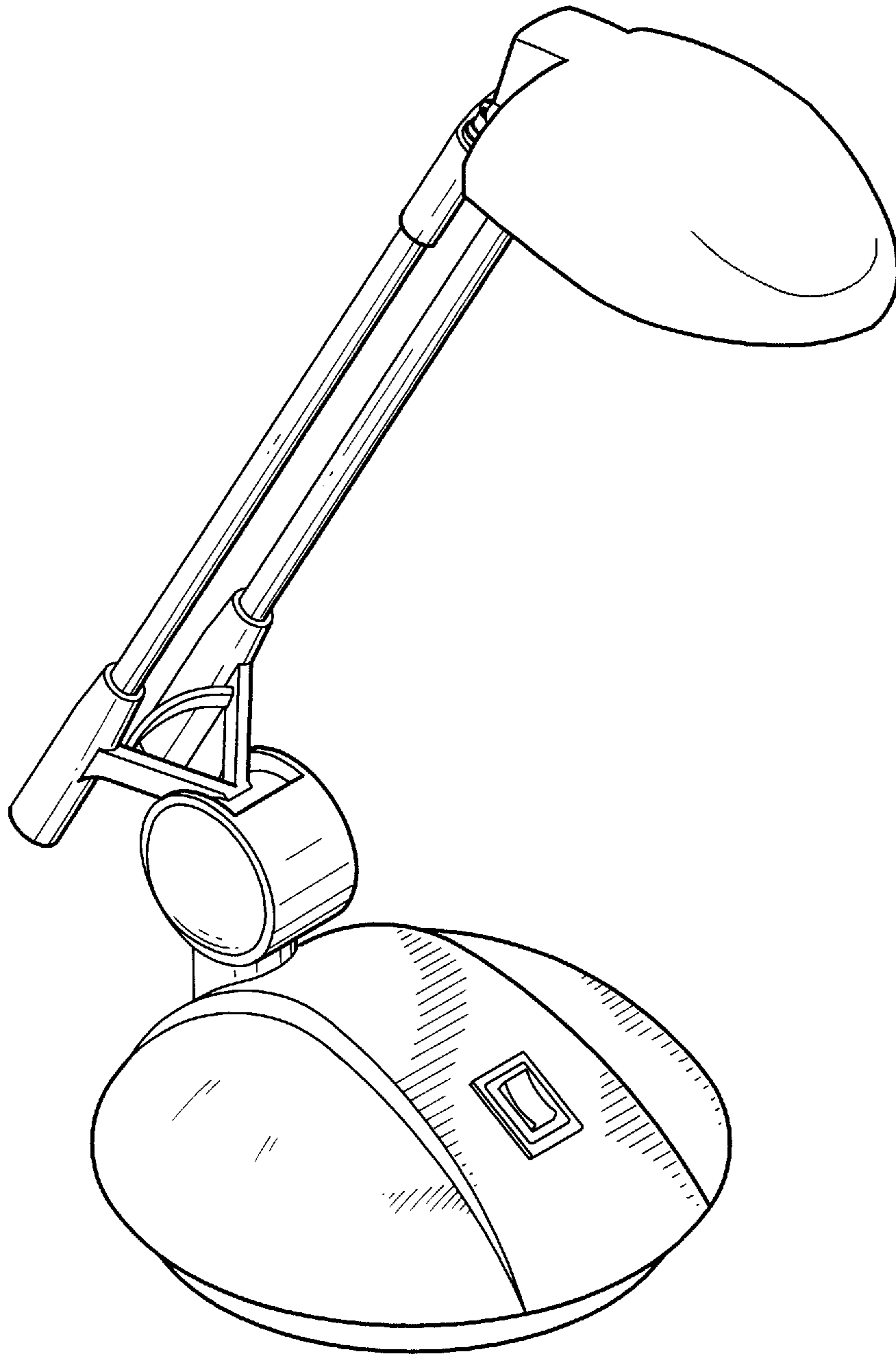


FIG. 1

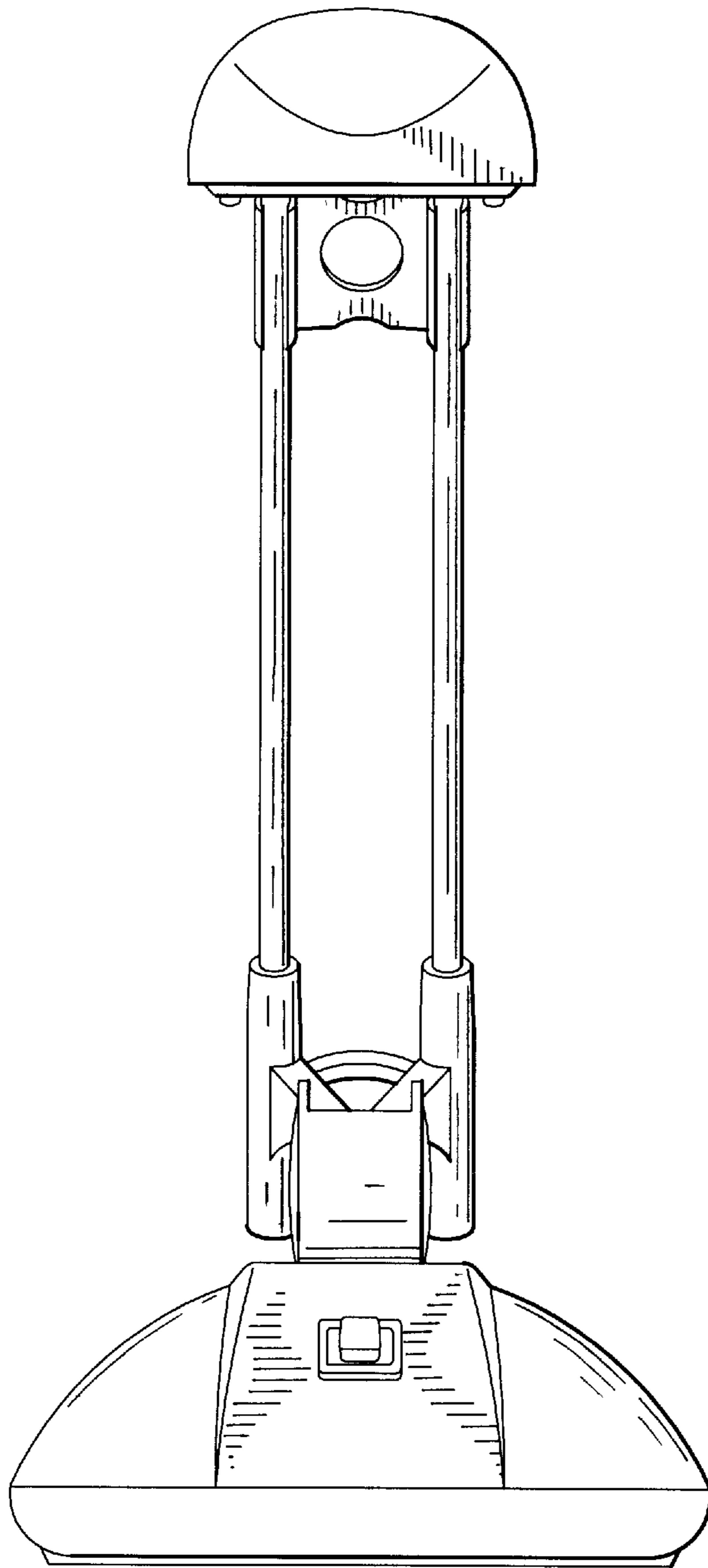


FIG. 2

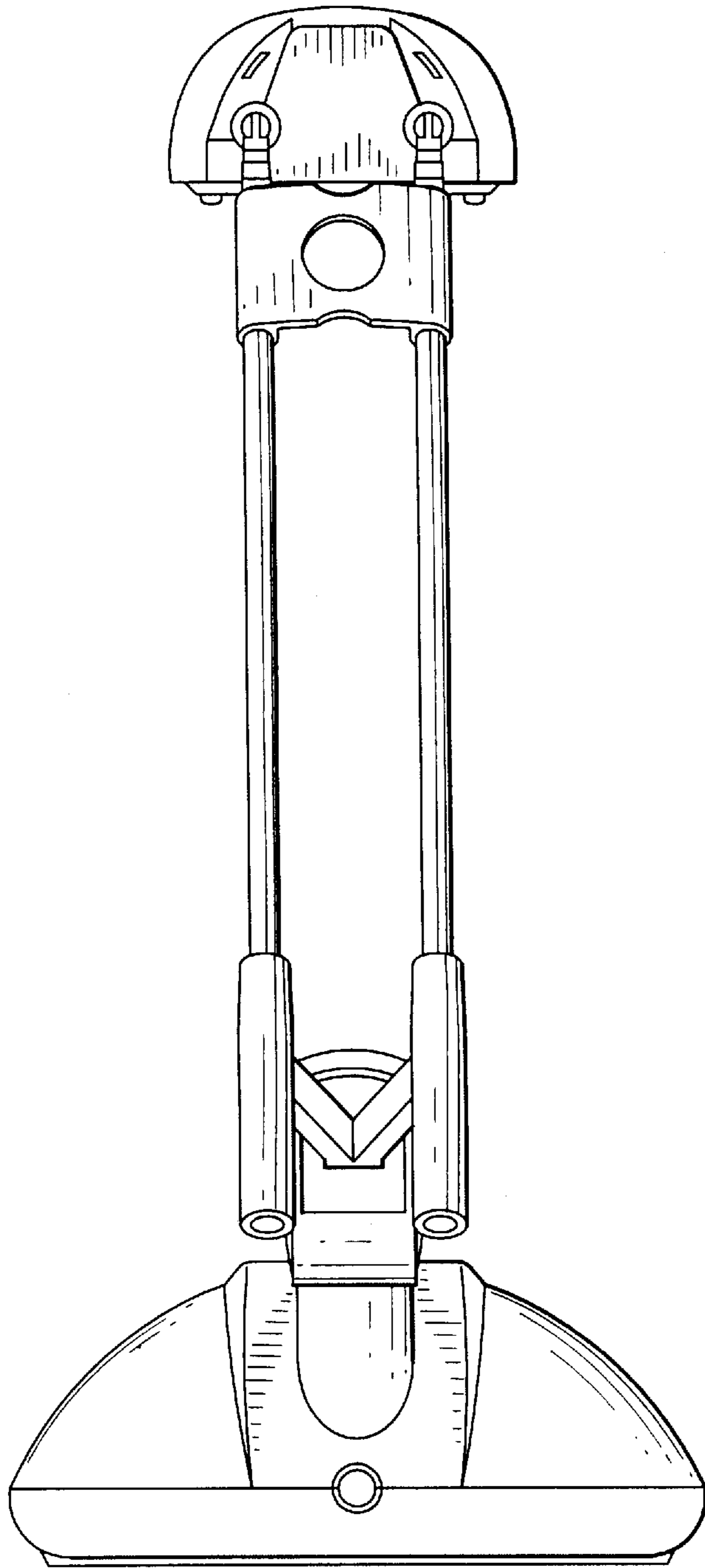


FIG. 3

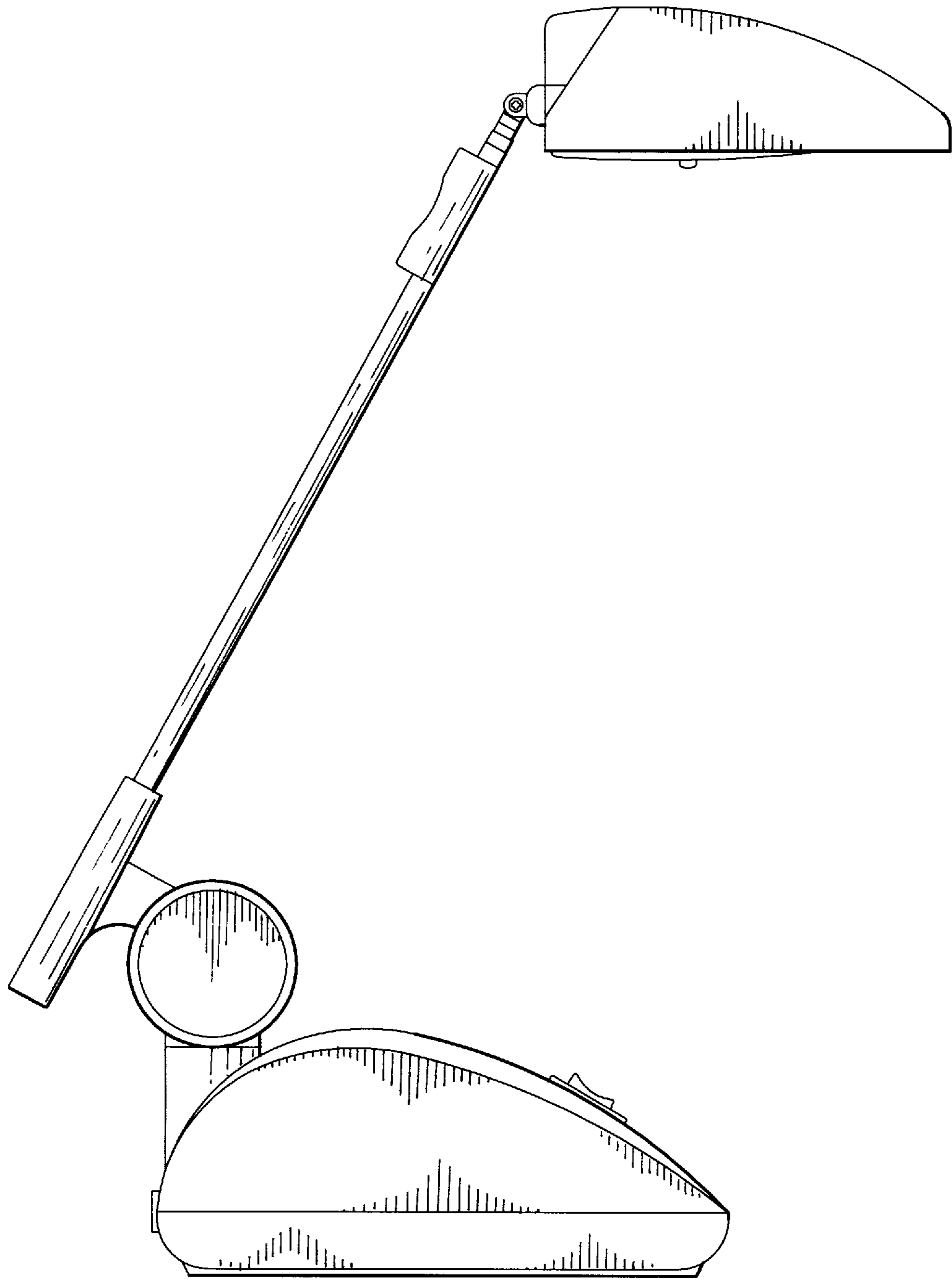


FIG. 4

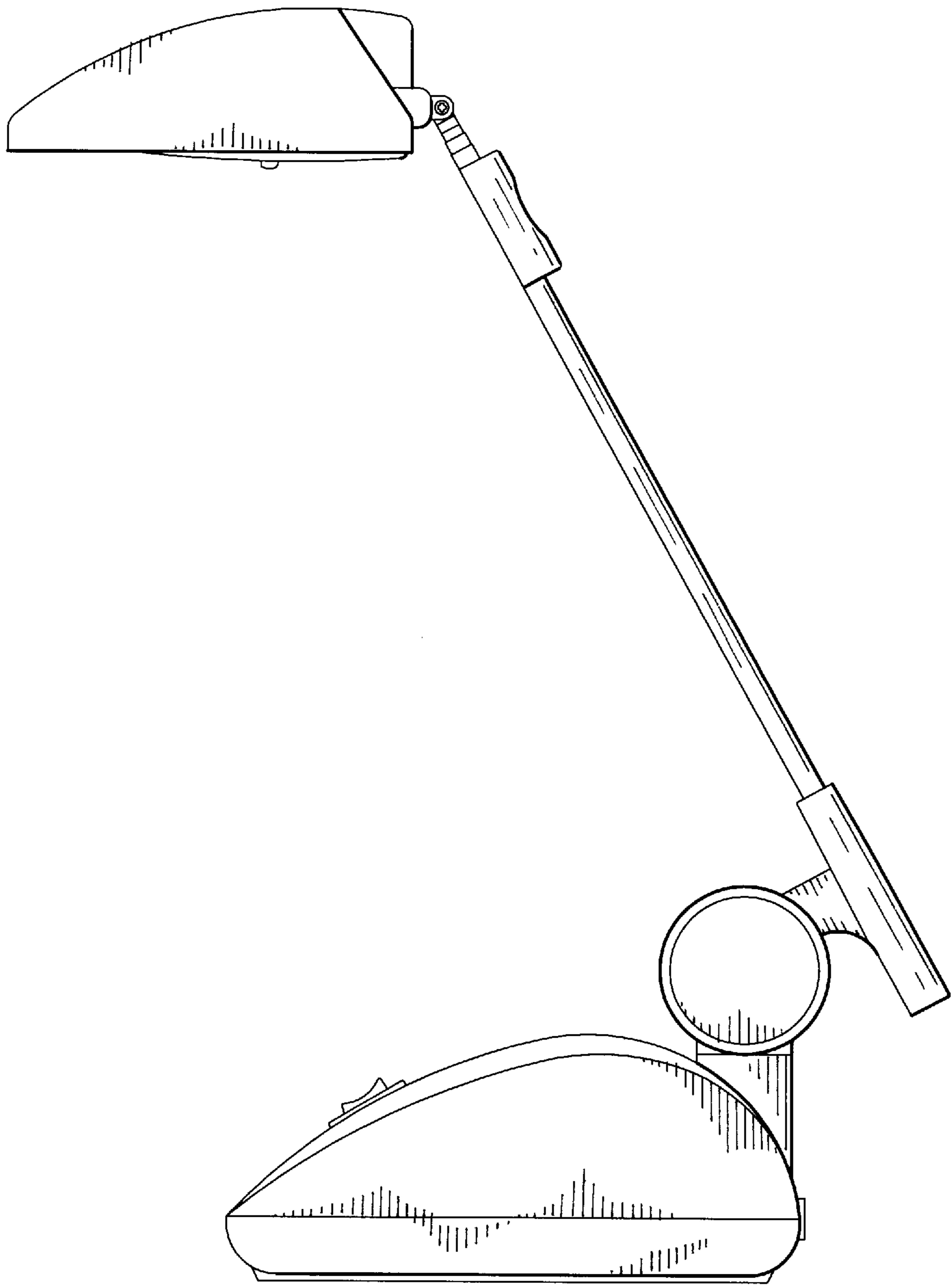


FIG.5

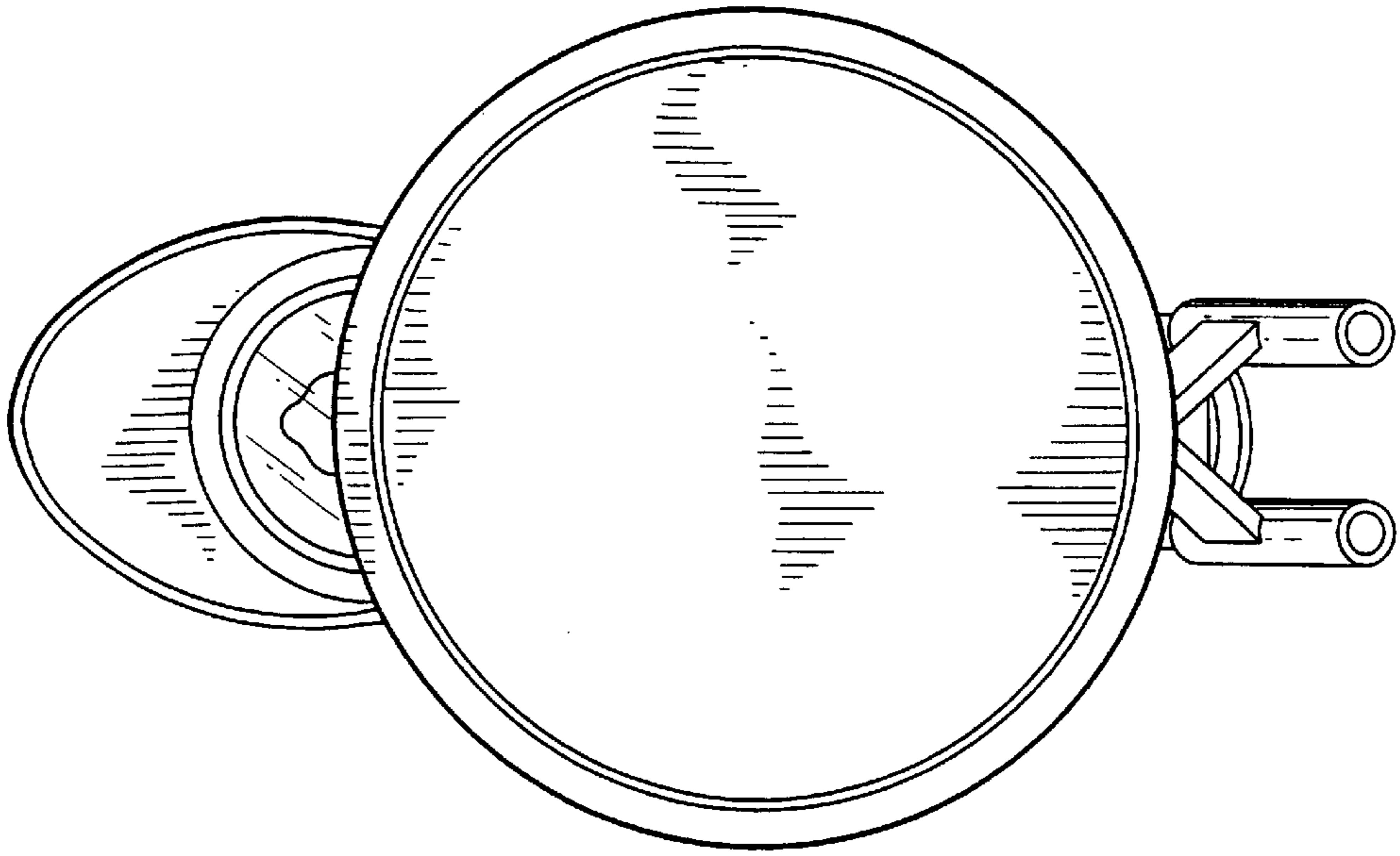


FIG. 7

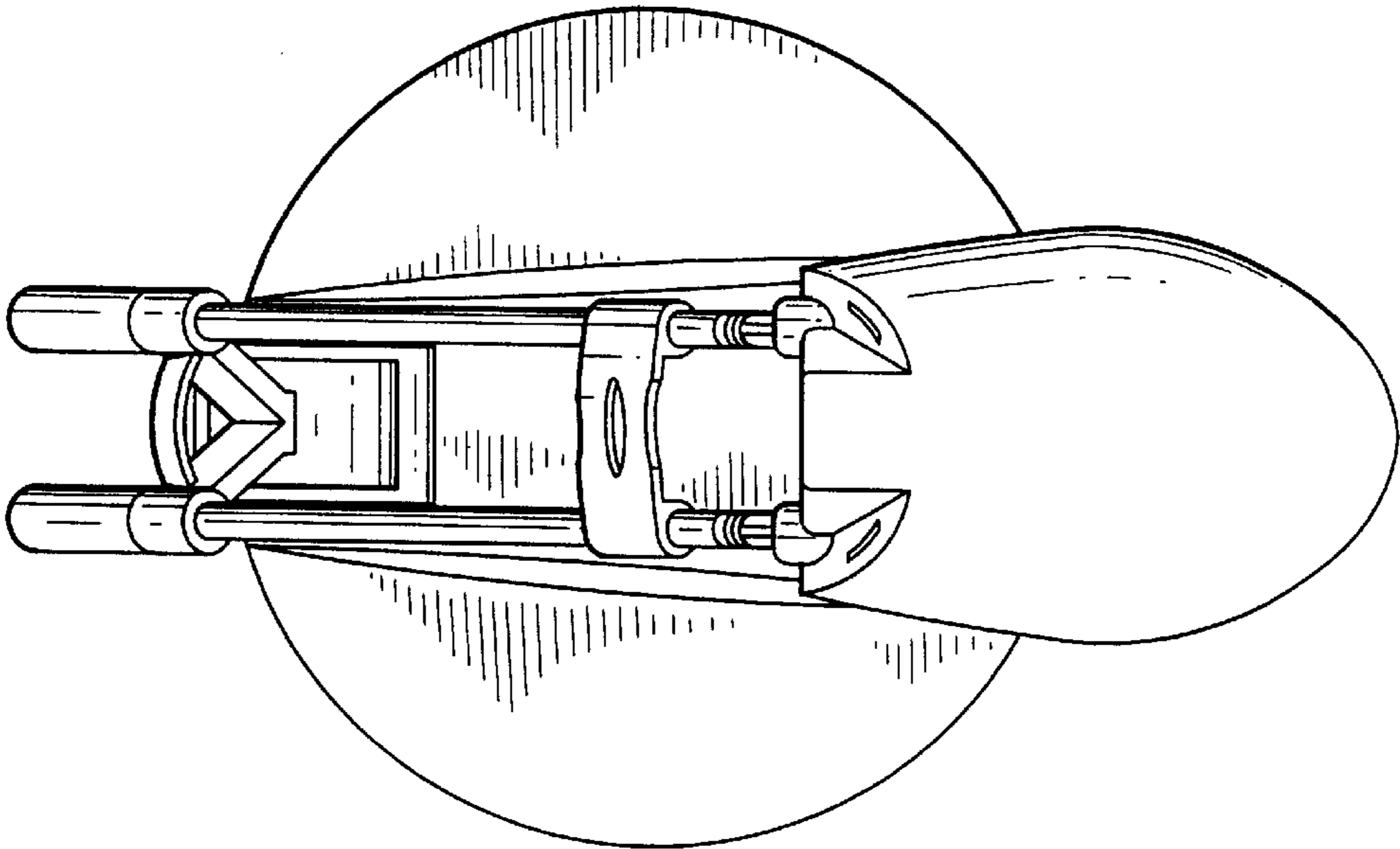


FIG. 6

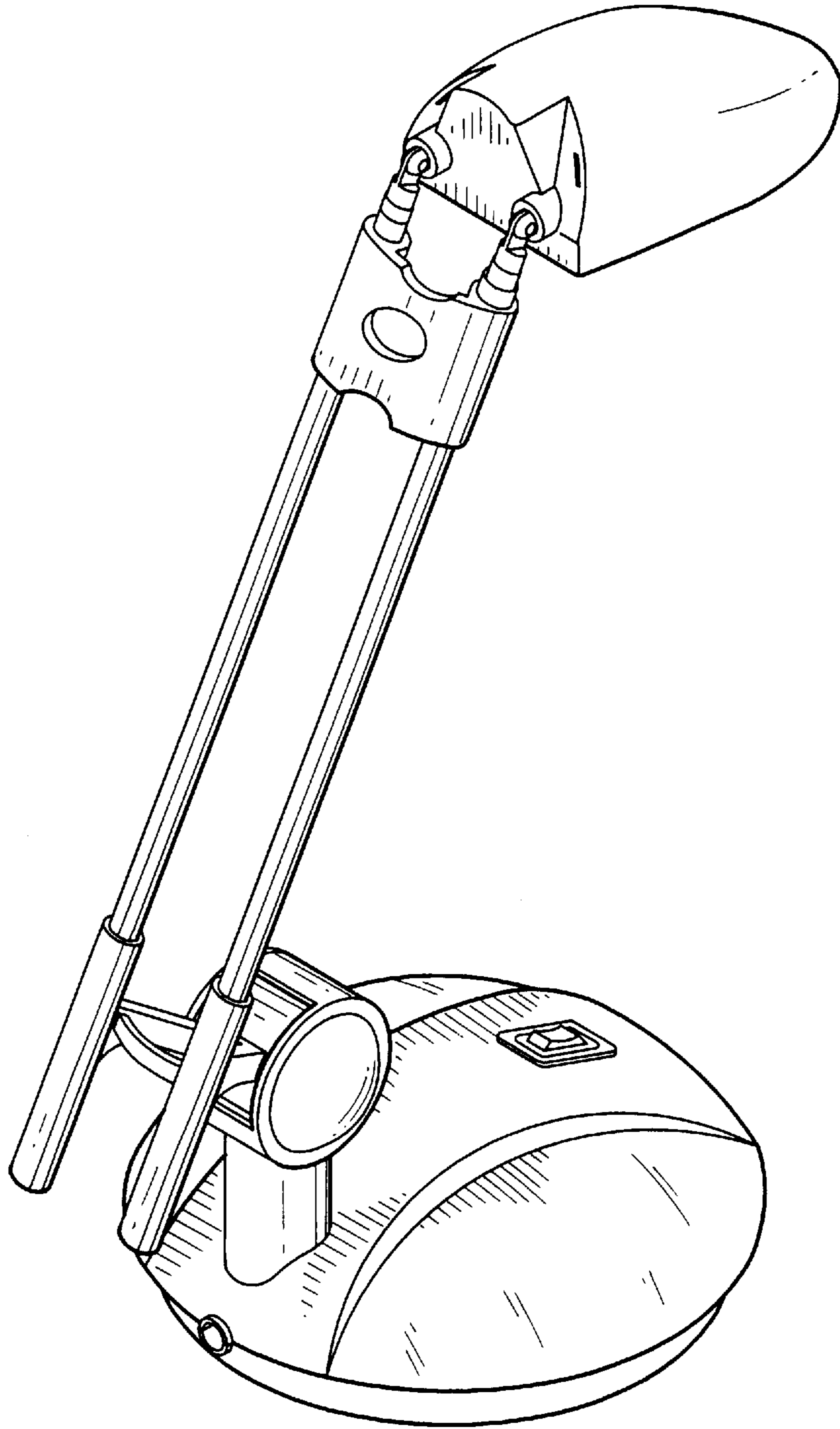


FIG. 8