



US00D405902S

United States Patent [19] Yuen

[11] **Patent Number: Des. 405,902**

[45] **Date of Patent: **Feb. 16, 1999**

[54] **MULTI-FUNCTION LANTERN**

[75] Inventor: **John Se-Kit Yuen**, Kowloon, Hong Kong

[73] Assignee: **John Manufacturing Limited**, Kowloon, Hong Kong

[**] Term: **14 Years**

[21] Appl. No.: **78,489**

[22] Filed: **Oct. 20, 1997**

[30] **Foreign Application Priority Data**

Apr. 22, 1997 [GB] United Kingdom 2065074

[51] **LOC (6) Cl.** **26-02**

[52] **U.S. Cl.** **D26/44**

[58] **Field of Search** D26/37-50; 362/158, 362/161, 164, 183, 184, 187, 188, 189, 190, 191-208

[56] **References Cited**

U.S. PATENT DOCUMENTS

D. 252,051 6/1979 Zuen D26/40

D. 321,568 11/1991 Yuen D26/40
D. 341,900 11/1993 Yuen D26/40
D. 363,563 10/1995 Yuen D26/40

Primary Examiner—Marcus A. Jackson
Attorney, Agent, or Firm—Fay, Sharpe, Beall, Fagan, Minnich & McKee

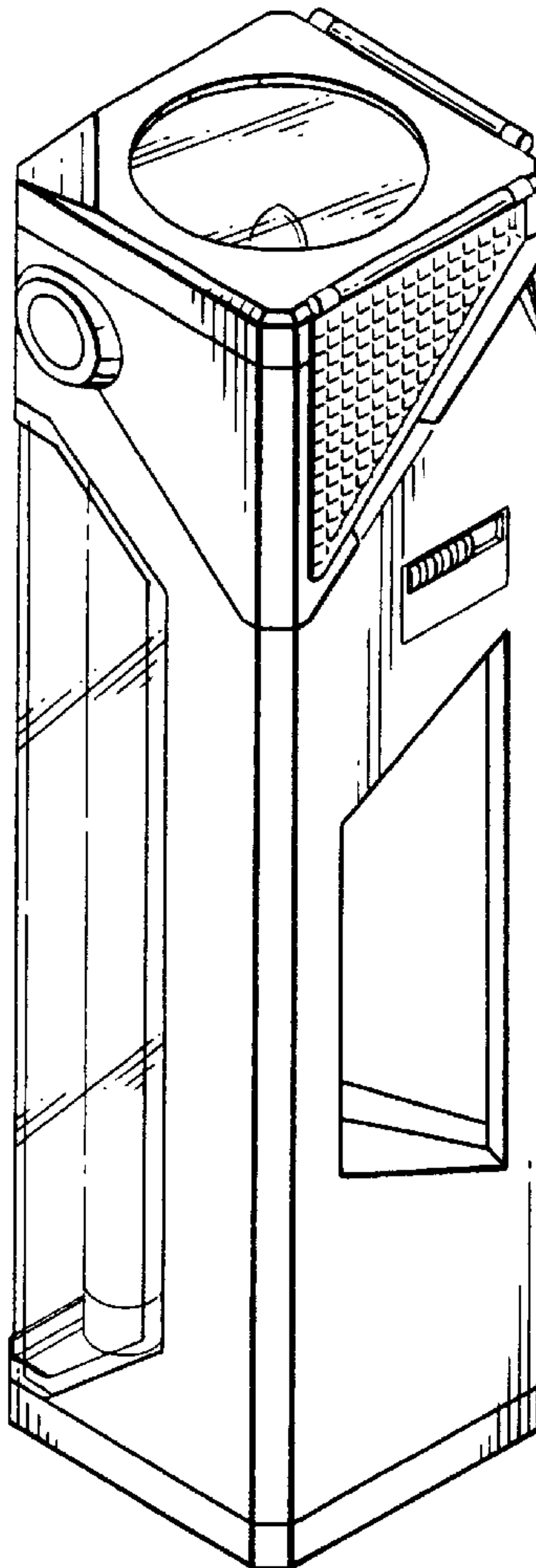
[57] **CLAIM**

The ornamental design for a multi-function lantern, as shown and described.

DESCRIPTION

FIG. 1 is a perspective view of a multi-function lantern showing my new design in one position;
FIG. 2 is a perspective view of the multi-function lantern showing an alternative position to that of FIG. 1;
FIG. 3 is a perspective view from front;
FIG. 4 is a perspective view from rear;
FIG. 5 is a front view plan;
FIG. 6 is a rear view plan;
FIG. 7 is a top plan view;
FIG. 8 is a left side elevational view;
FIG. 9 is a right side elevational view; and,
FIG. 10 is a bottom plan view.

1 Claim, 5 Drawing Sheets



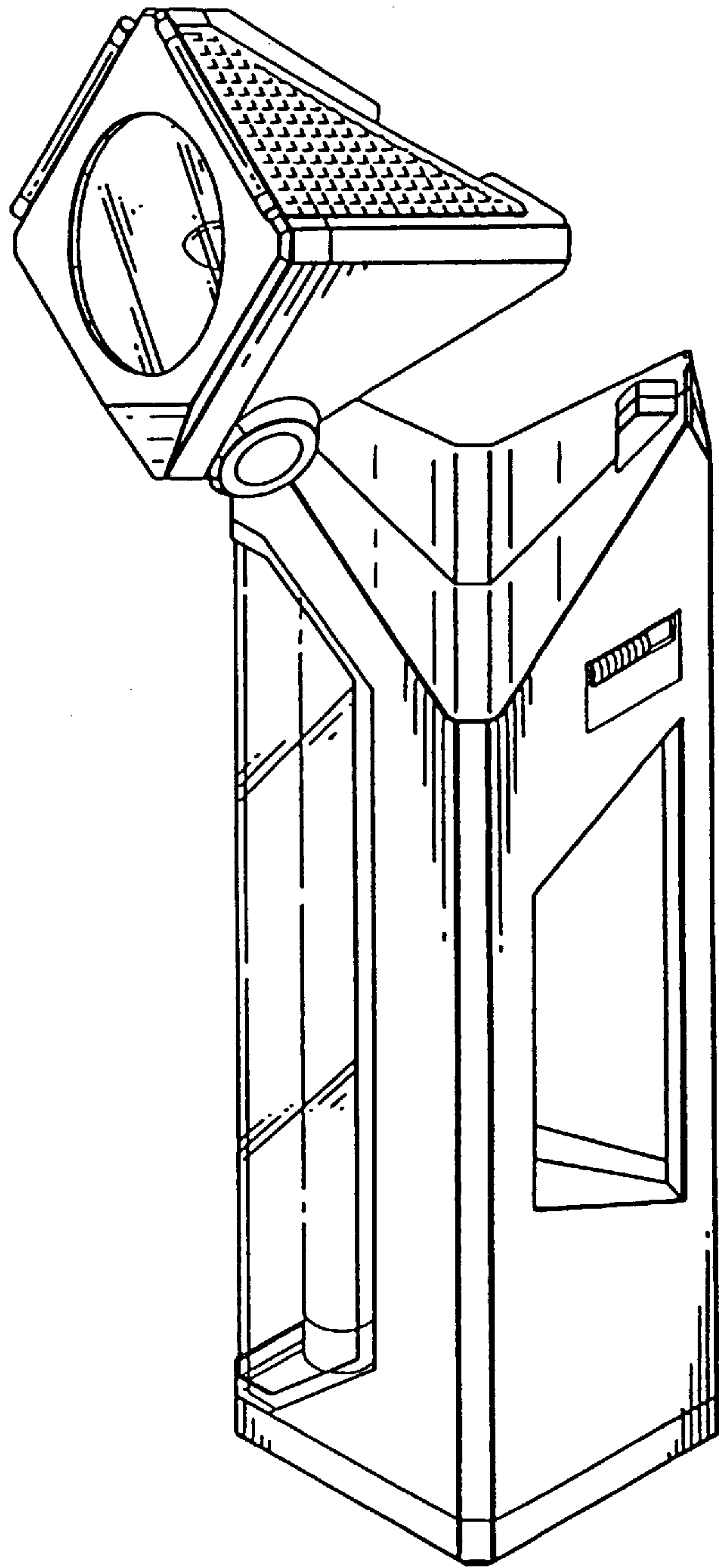


FIG. 1

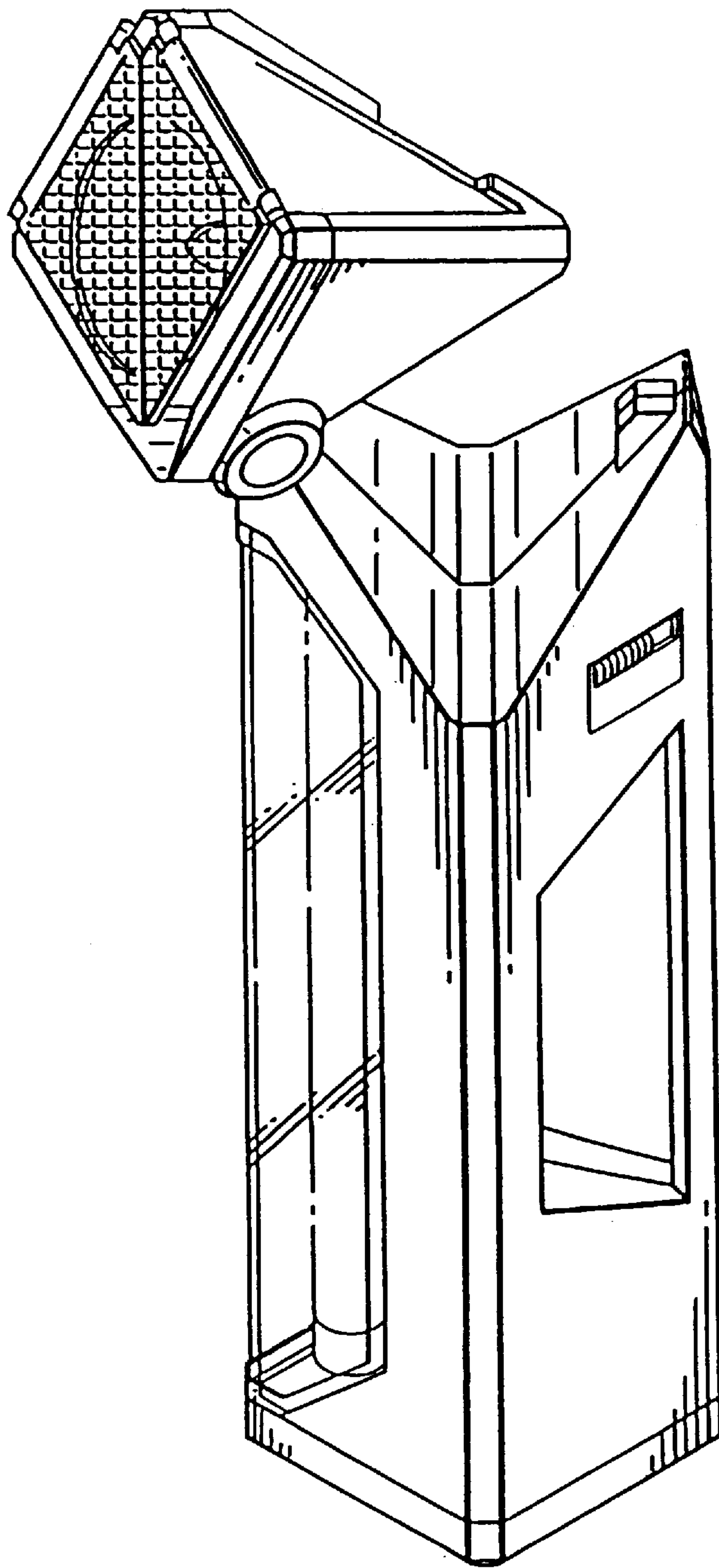


FIG. 2

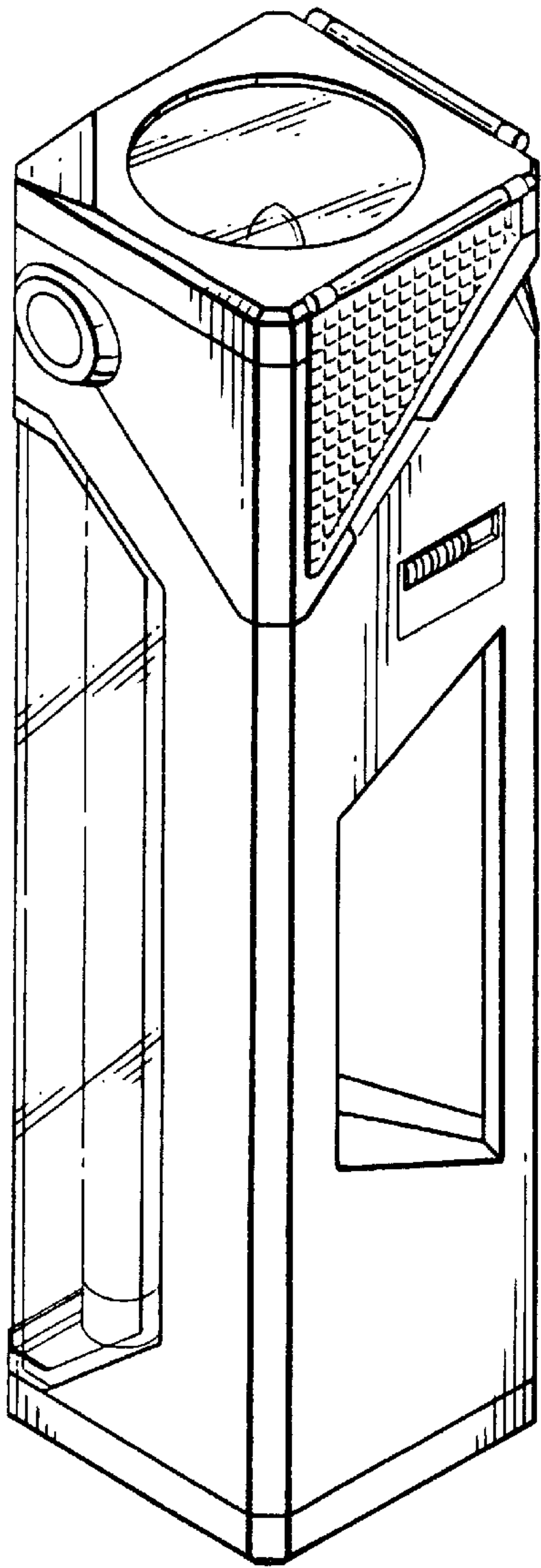


FIG. 3

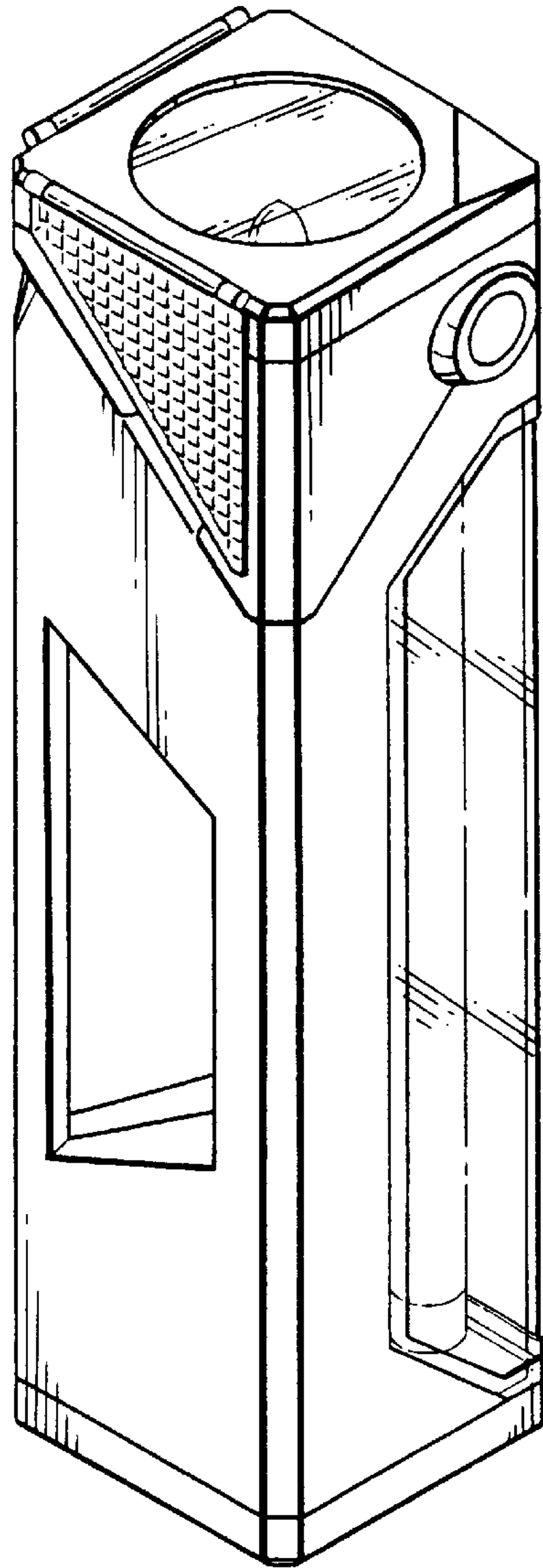


FIG. 4

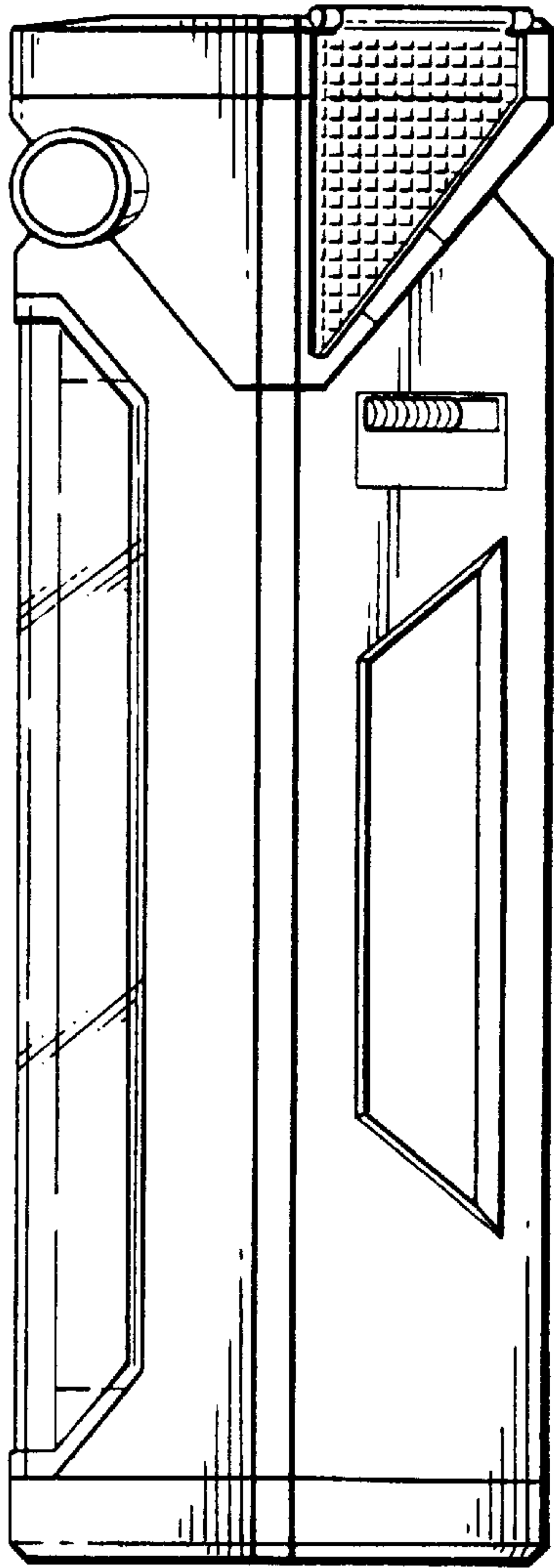


FIG. 5

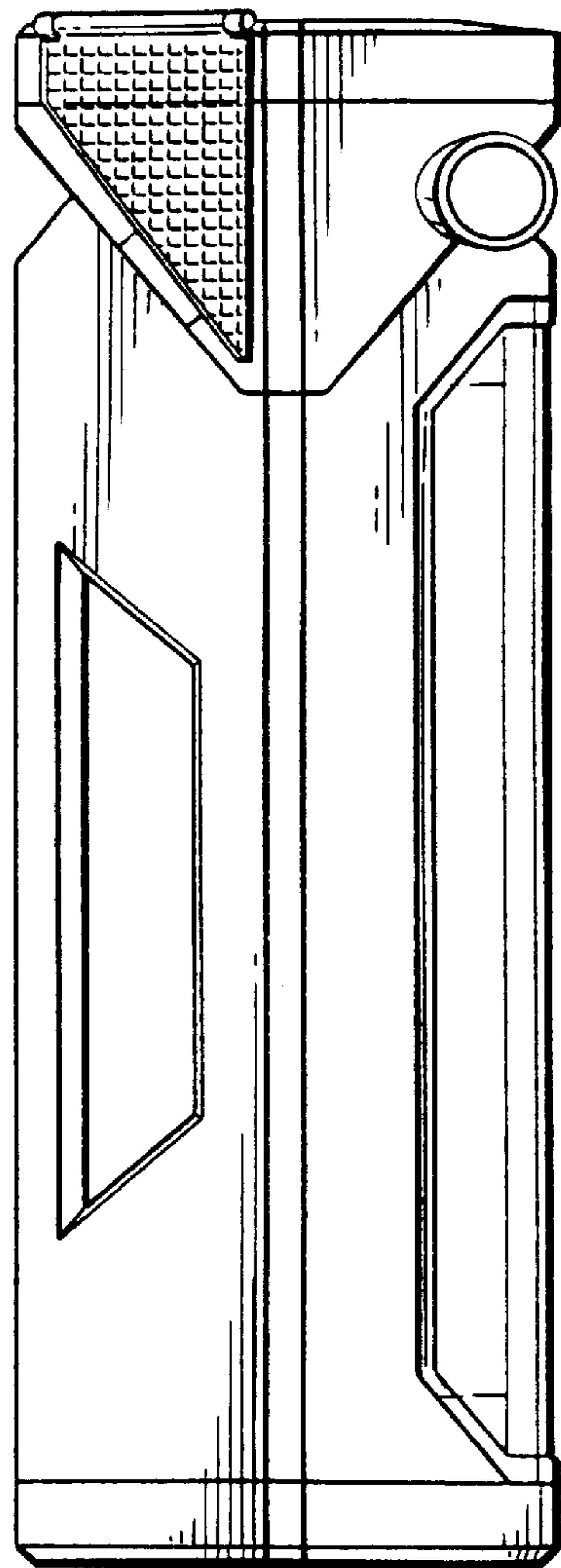


FIG. 6

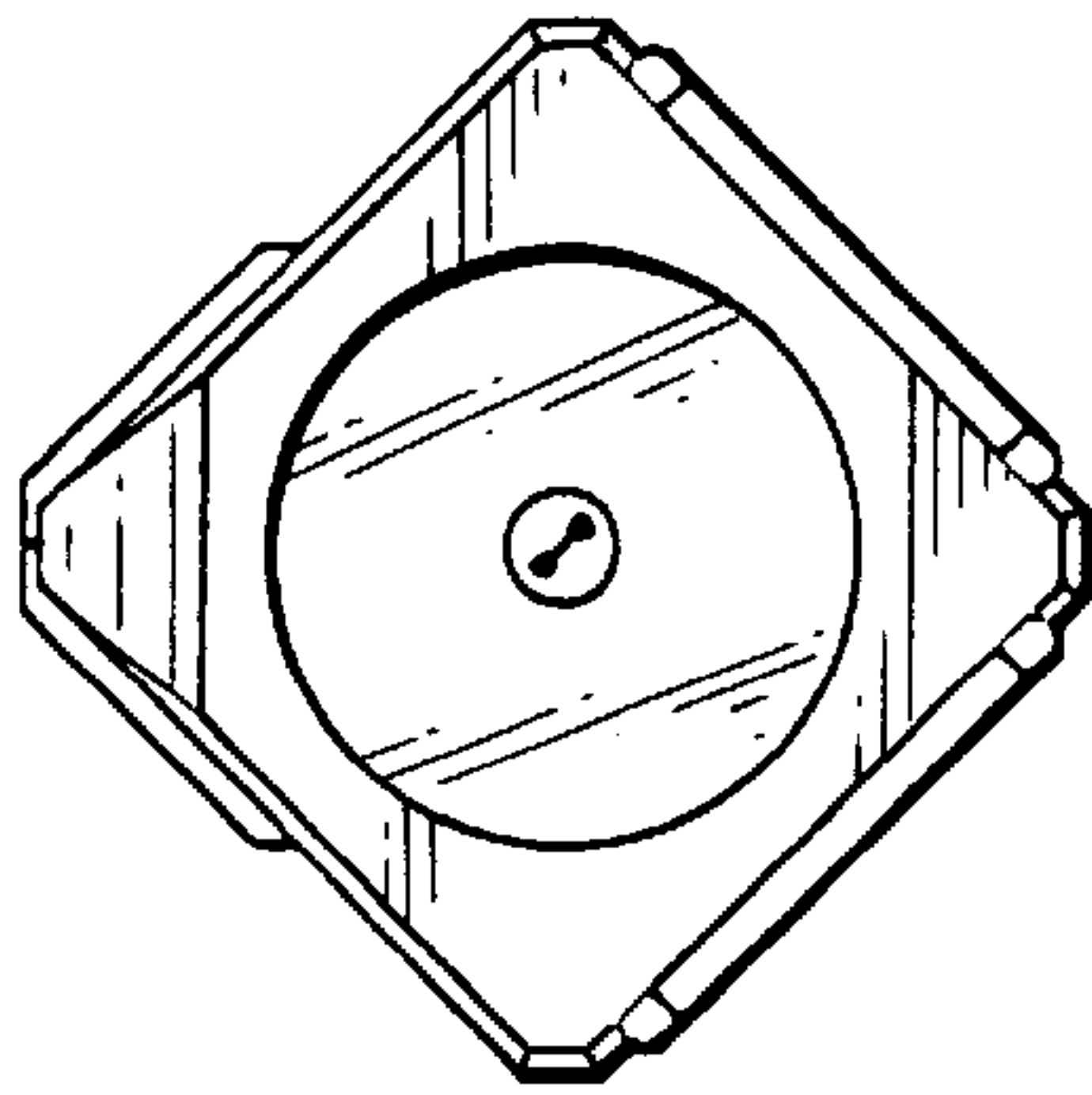


FIG. 7

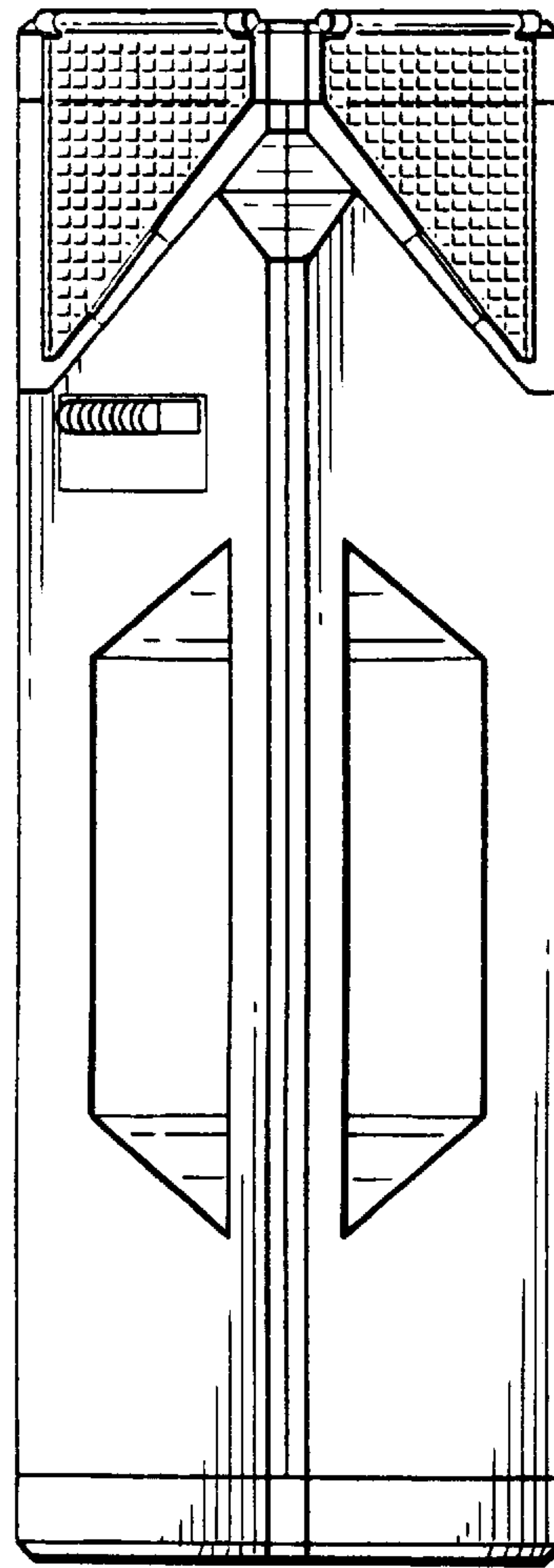


FIG. 9

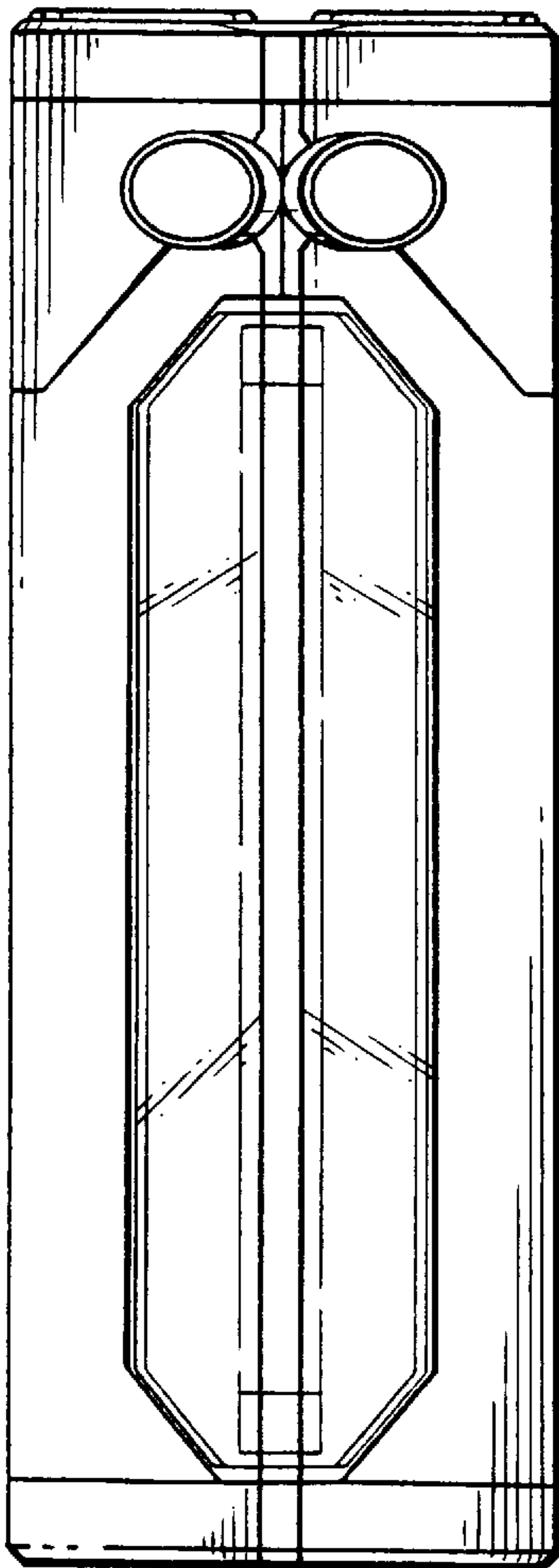


FIG. 8

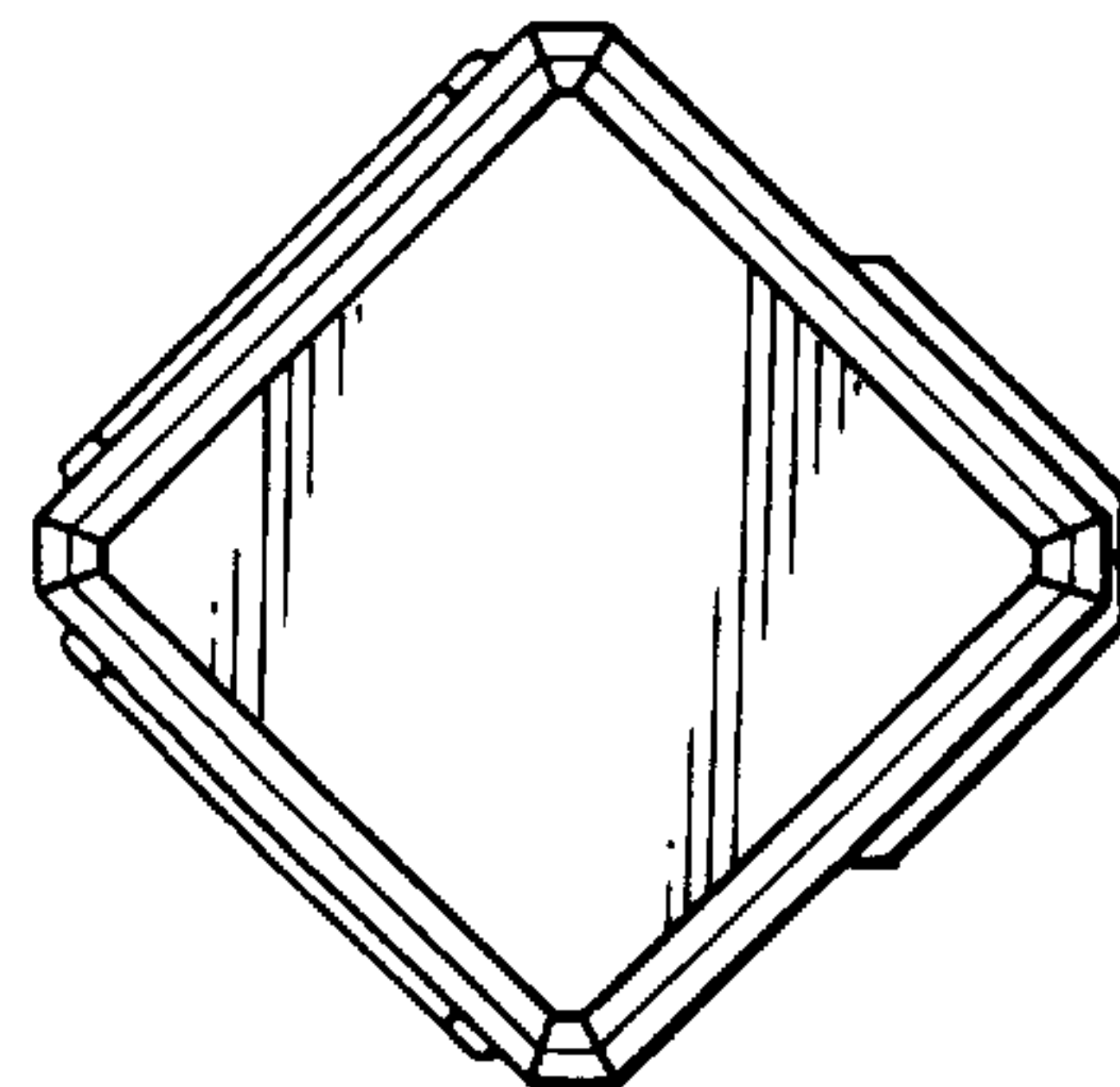


FIG. 10