



US00D405901S

# United States Patent [19]

Feinbloom et al.

[11] **Patent Number: Des. 405,901**

[45] **Date of Patent: \*\*Feb. 16, 1999**

[54] **CLIP-ON HEADLIGHT FOR AN EYEGLASS FRAME**

[75] Inventors: **Richard E. Feinbloom**, New York;  
**Peter J. Murphy**, Port Washington,  
both of N.Y.

[73] Assignee: **Designs For Vision, Inc.**, Ronkonkoma,  
N.Y.

[\*\*] Term: **14 Years**

[21] Appl. No.: **86,394**

[22] Filed: **Apr. 13, 1998**

[51] **LOC (6) Cl.** ..... **26-02**

[52] **U.S. Cl.** ..... **D26/39**

[58] **Field of Search** ..... D26/37-50; 362/157,  
362/158, 183, 184, 187-191, 194-200,  
202, 103, 105

[56] **References Cited**

**U.S. PATENT DOCUMENTS**

- D. 206,953 2/1967 Beecher ..... D26/39
- D. 232,119 7/1974 Kloots ..... D26/39

- D. 235,574 6/1975 Willis ..... D26/39
- D. 238,958 2/1976 Feinbloom ..... D26/39
- D. 266,192 9/1982 Feinbloom et al. .... D26/39
- D. 362,080 9/1995 Zehrer et al. .... D26/39

*Primary Examiner*—Marcus A. Jackson  
*Attorney, Agent, or Firm*—Plevy & Associates

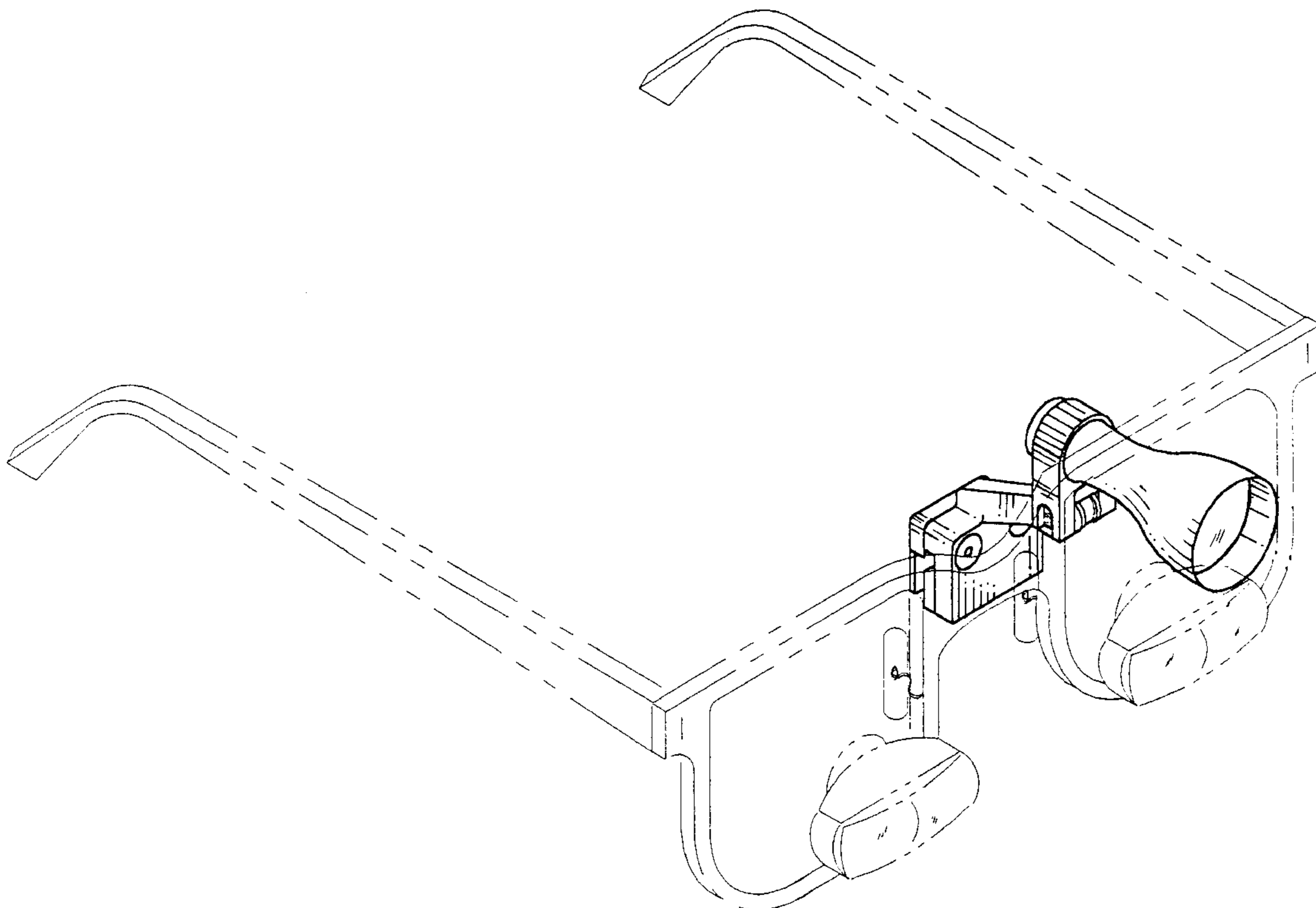
[57] **CLAIM**

The ornamental design for a clip-on headlight for an eye-glass frame, as shown and described.

**DESCRIPTION**

FIG. 1 is a perspective plan view of a clip-on headlight on a spectacle frame;  
 FIG. 2 is a exploded perspective view thereof;  
 FIG. 3 is an enlarged front elevational view thereof;  
 FIG. 4 is a rear view thereof;  
 FIG. 5 is a side elevational view, the side opposite being a mirror image;  
 FIG. 6 is a top plan view thereof; and,  
 FIG. 7 is a bottom plan view thereof.  
 The broken lines are shown for illustration purposes only and form no part of hte claimed design;

**1 Claim, 5 Drawing Sheets**



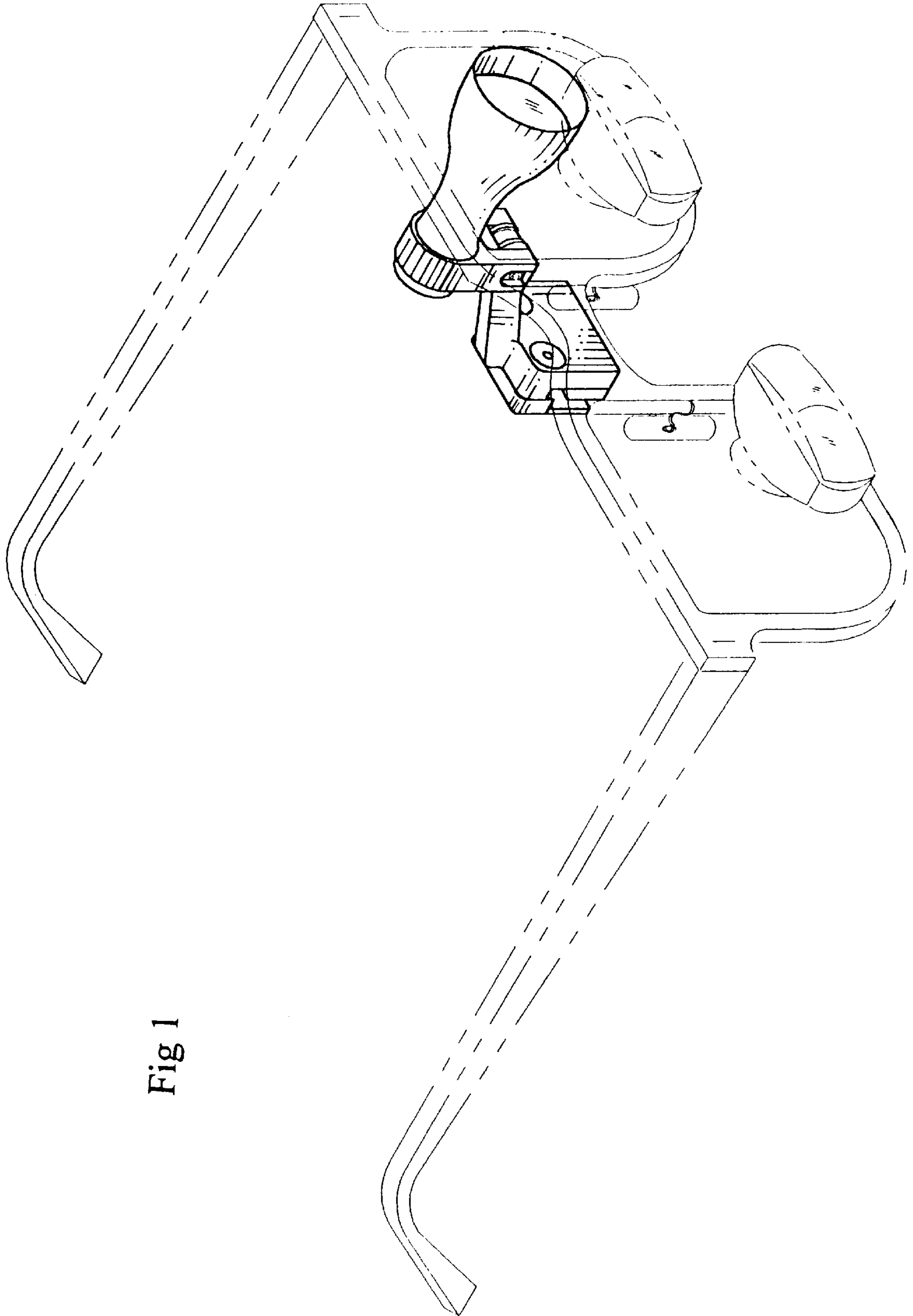


Fig 1

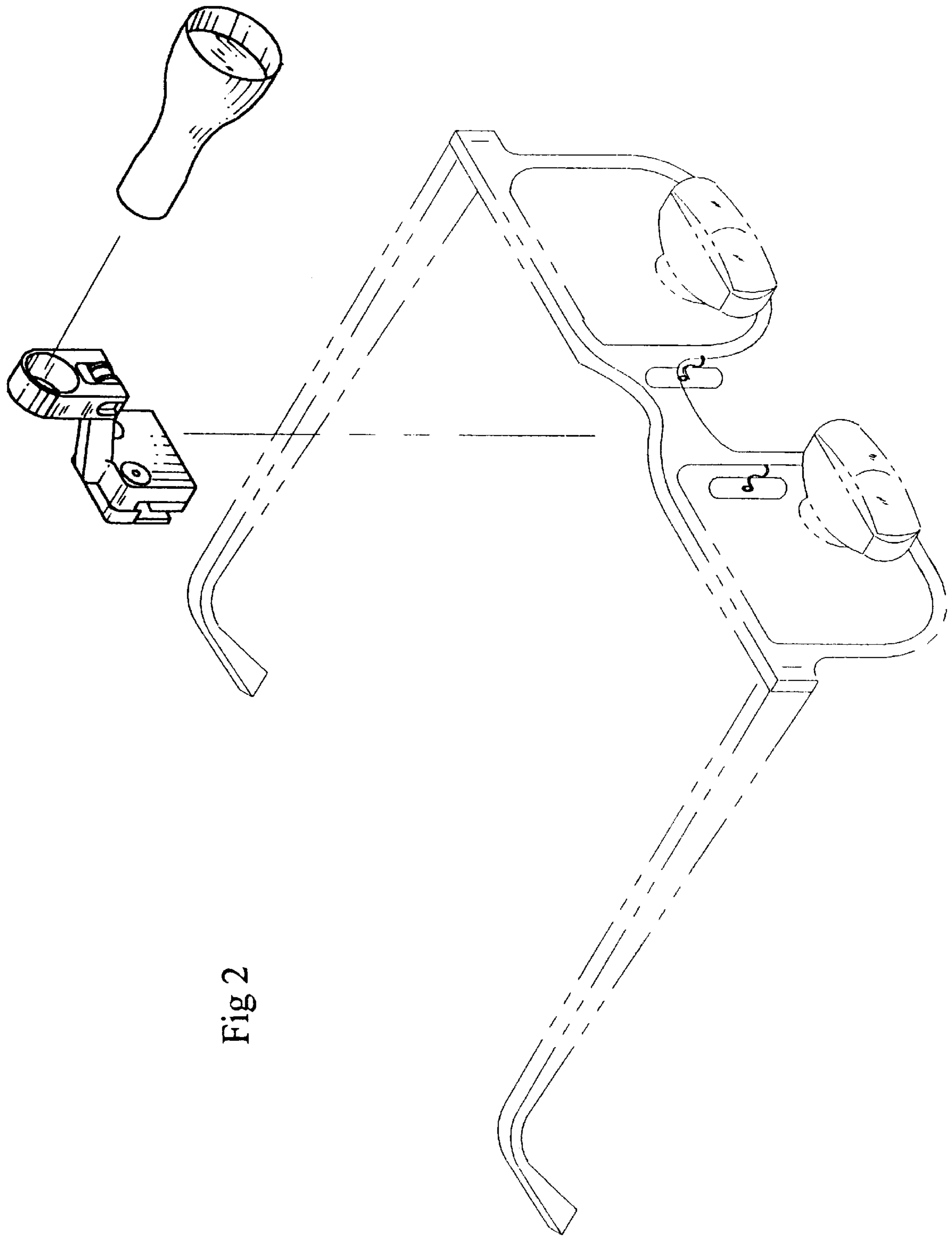


Fig 2

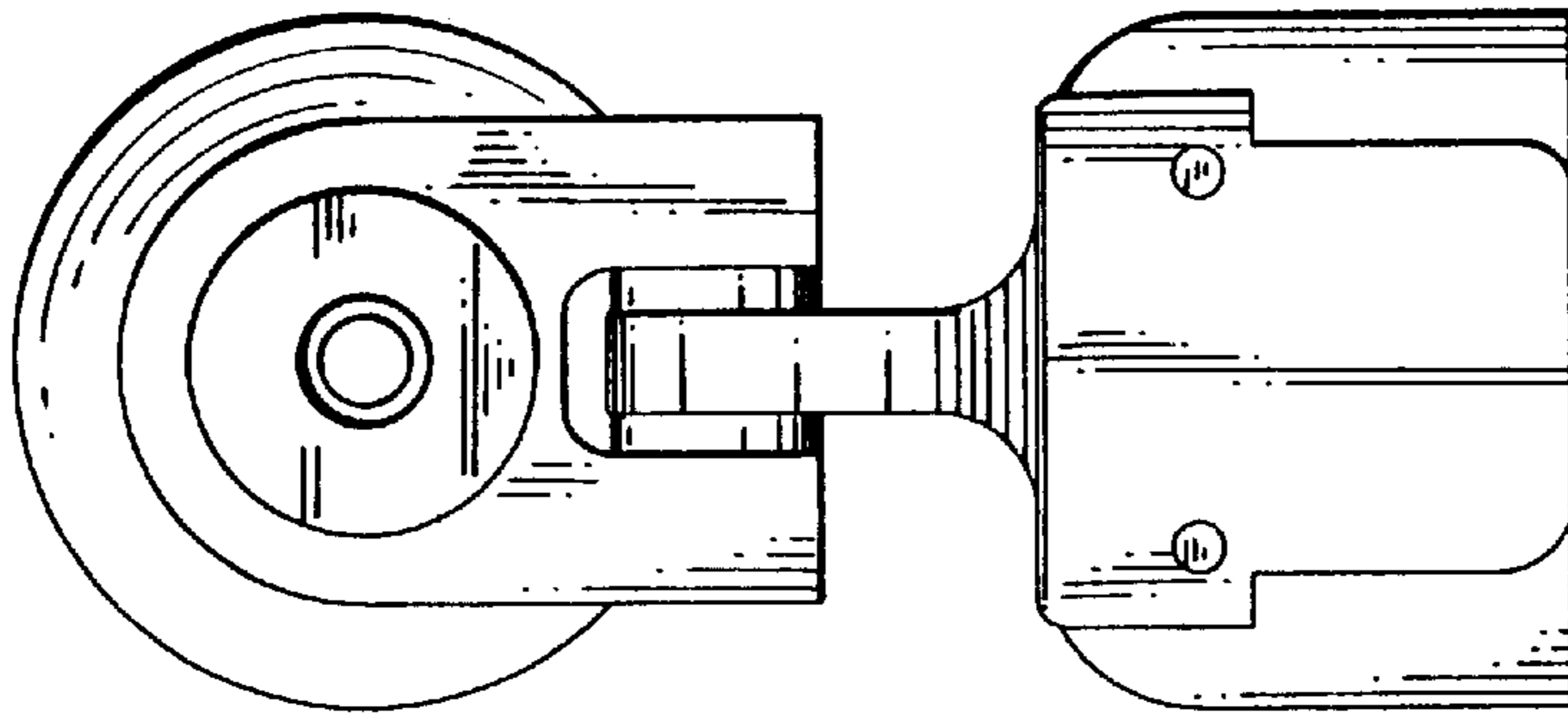


Fig 4

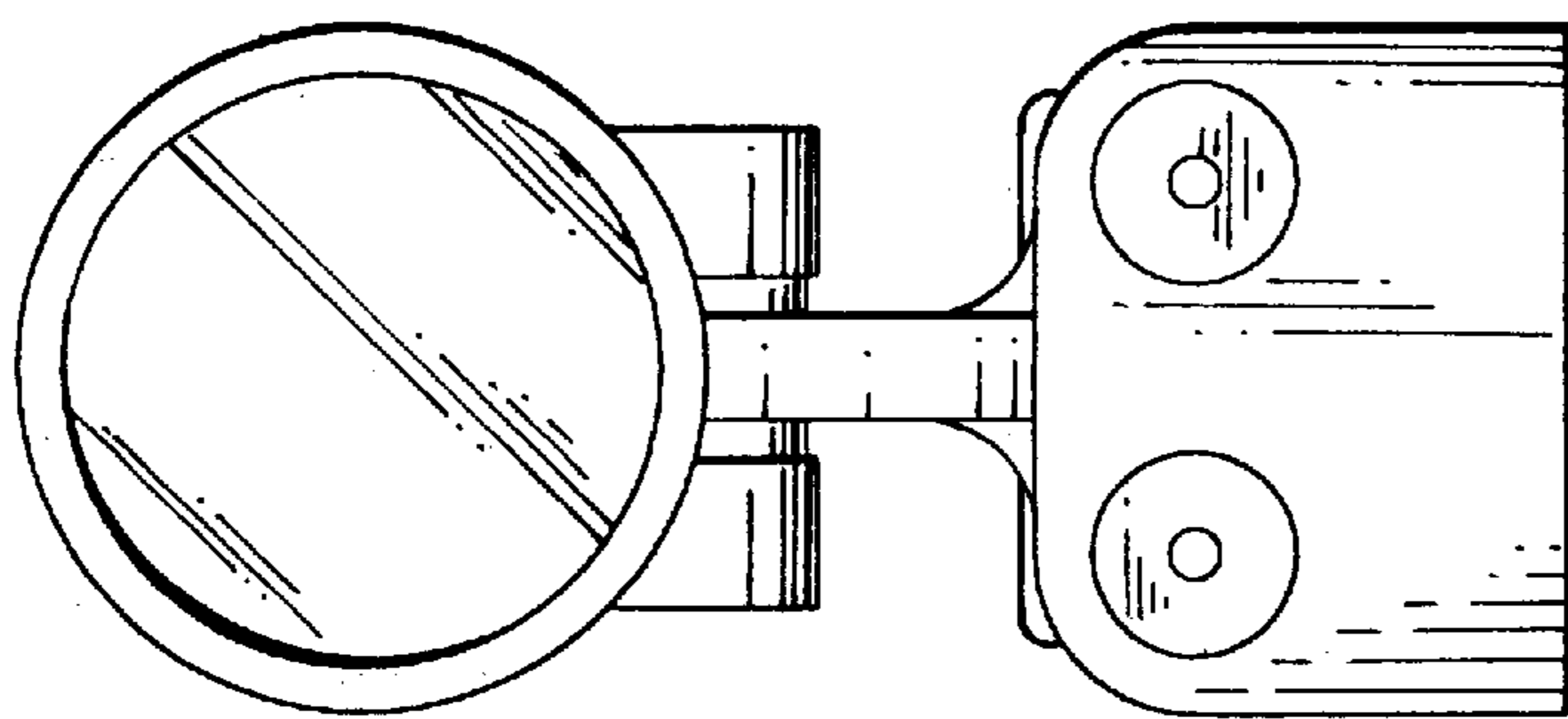


Fig 3

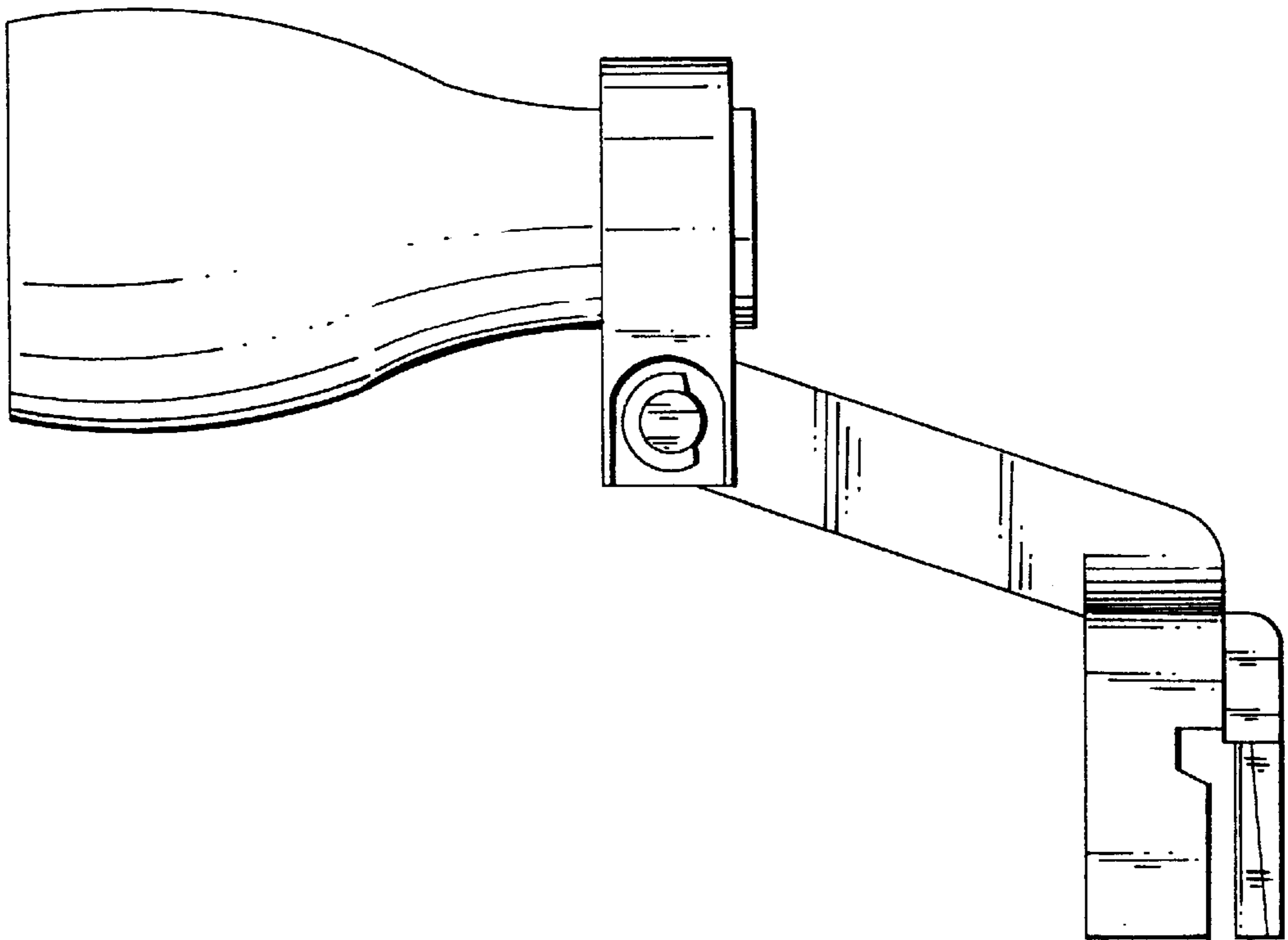


Fig 5

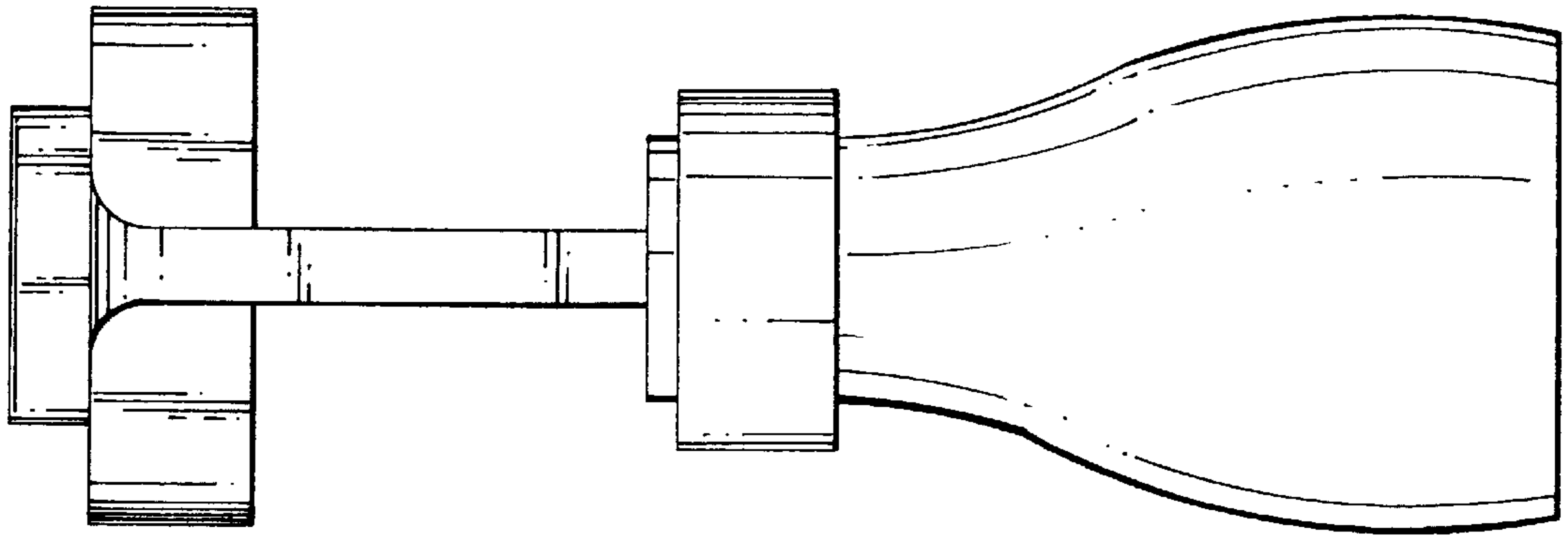


Fig 6

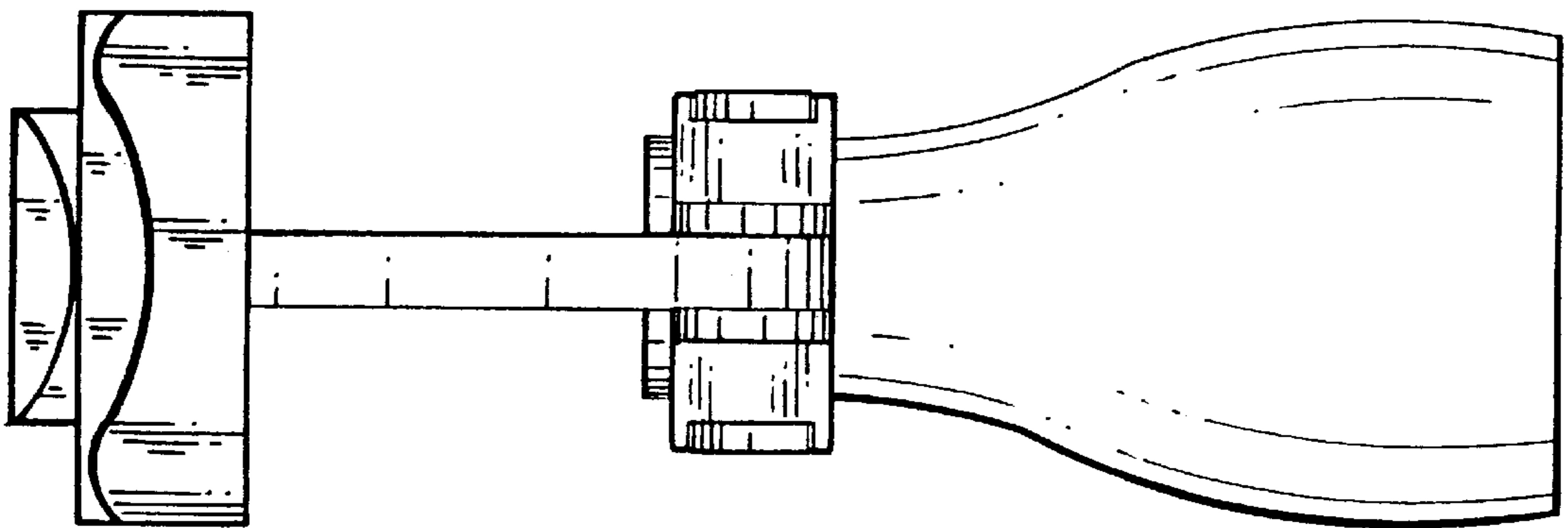


Fig 7