



US00D405898S

United States Patent [19]
Miller

[11] **Patent Number: Des. 405,898**

[45] **Date of Patent: **Feb. 16, 1999**

[54] **INTERNALLY ILLUMINATED LIGHTING TRACK**

4,932,170 6/1990 Spear 362/150
5,442,533 8/1995 Kaplan 362/217

[76] Inventor: **Jack V. Miller**, 700 N. Auburn Ave.,
Sierra Madre, Calif. 91024

Primary Examiner—Doris Clark

[**] Term: **14 Years**

[57] **CLAIM**

The ornamental design for an internally illuminated lighting track, as shown and described.

[21] Appl. No.: **24,340**

DESCRIPTION

[22] Filed: **Jun. 13, 1994**

FIG. 1 is a perspective view of a first embodiment of an internally illuminated lighting track showing my new design;

[51] **LOC (6) Cl.** **25-01**

[52] **U.S. Cl.** **D25/125**

[58] **Field of Search** D25/124-125;
362/32, 150, 217, 404, 249, 226, 147

FIG. 2 is a transverse cross-sectional view thereof; taken along section line 2—2 of FIG. 1; and,

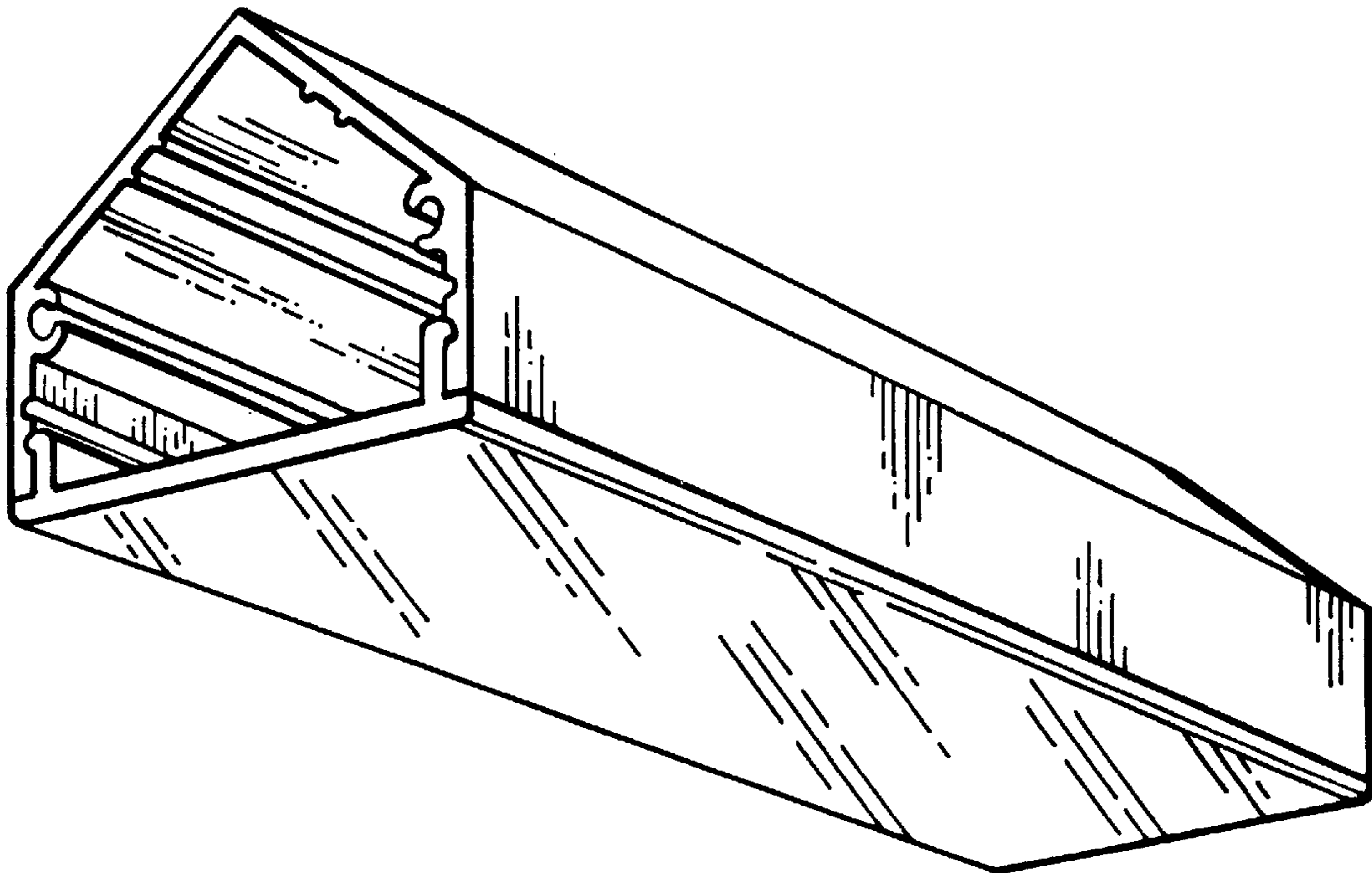
FIG. 3 is a perspective view of a second embodiment of an internally illuminated lighting track showing my new design.

[56] **References Cited**

U.S. PATENT DOCUMENTS

3,051,772 8/1962 Davis 362/150

1 Claim, 1 Drawing Sheet



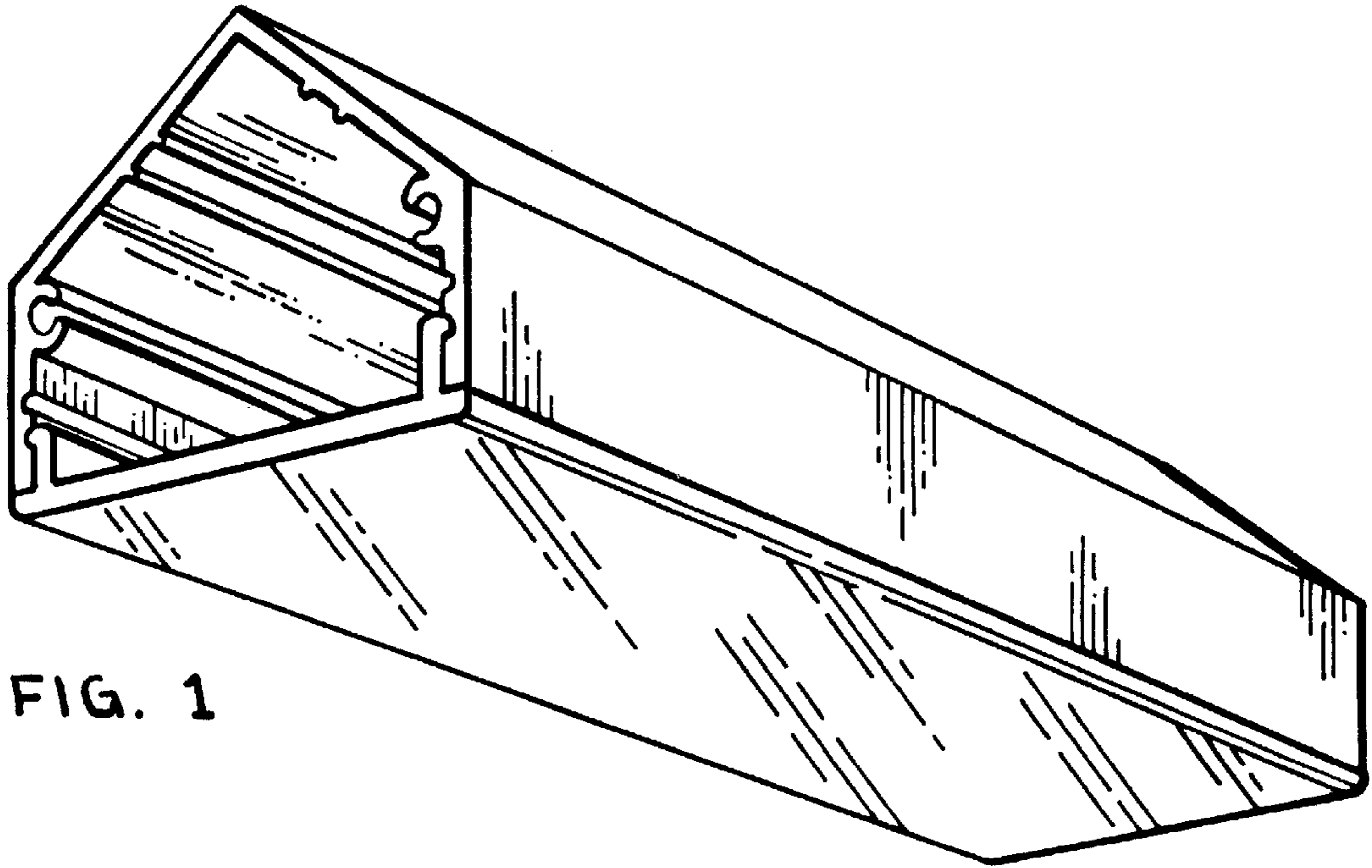


FIG. 1

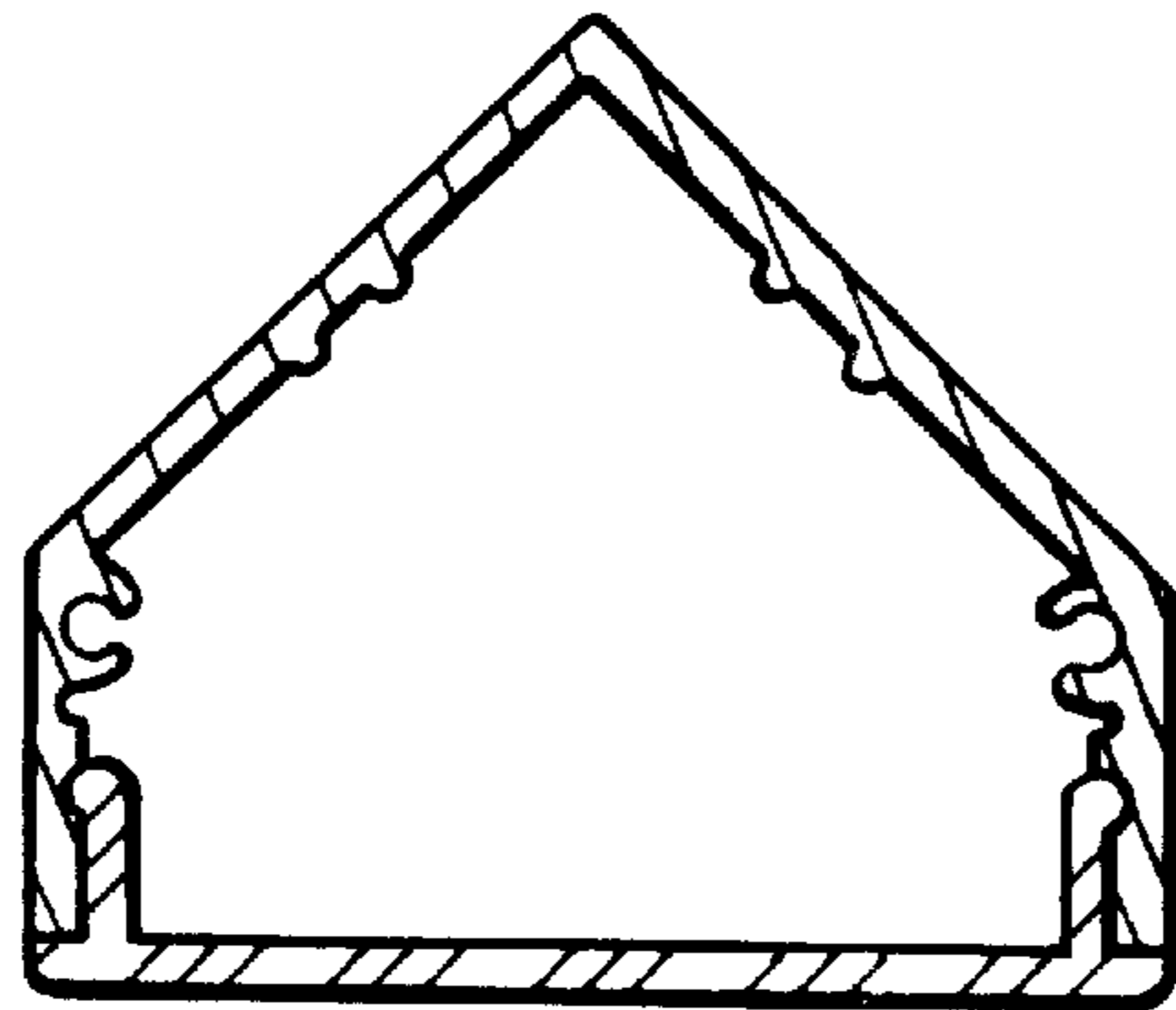


FIG. 2

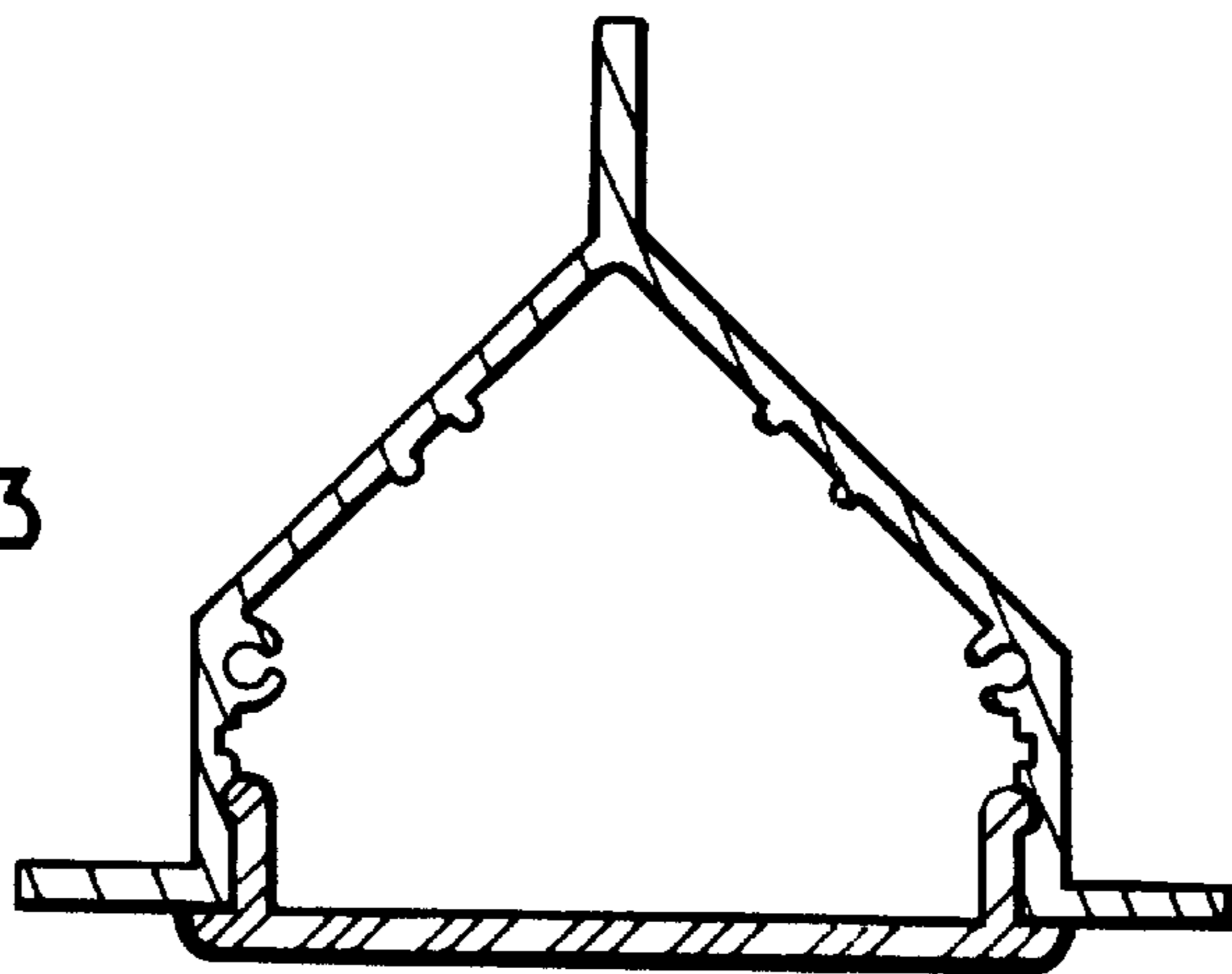


FIG. 3