



US00D405897S

United States Patent [19]

Lockbeam

[11] **Patent Number: Des. 405,897**

[45] **Date of Patent: **Feb. 16, 1999**

[54] **WINDOW COMPONENT EXTRUSION**

D. 380,055 6/1997 Goss D25/124

[75] Inventor: **Michael D. Lockbeam**, Tacoma, Wash.

OTHER PUBLICATIONS

Doug Cole, Mikron Part No. 6350, First sold Jun. 17, 1991.
Kevin Tyra, Mikron Part No. 7344, First sold Jul. 23, 1996.

[73] Assignee: **Mikron Industries, Inc.**, Kent, Wash.

[**] Term: **14 Years**

Primary Examiner—Doris Clark
Attorney, Agent, or Firm—Richardson & Folise

[21] Appl. No.: **88,155**

[57] CLAIM

[22] Filed: **May 15, 1998**

The ornamental design for a window component extrusion, as shown and described.

[51] **LOC (6) Cl.** **25-01**

[52] **U.S. Cl.** **D25/124**

[58] **Field of Search** D25/119-124,
D25/60, 52; 49/504, 505, DIG. 2; 52/204.5,
204.56, 204.51, 204.1, 730.3

DESCRIPTION

FIG. 1 is a top right perspective view of the window component extrusion which is broken in the center indicating indefinite length; and, FIG. 2 is a bottom left perspective view of the window component extrusion shown in FIG. 1.

[56] References Cited

U.S. PATENT DOCUMENTS

D. 357,545 4/1995 Cole D25/124

1 Claim, 1 Drawing Sheet

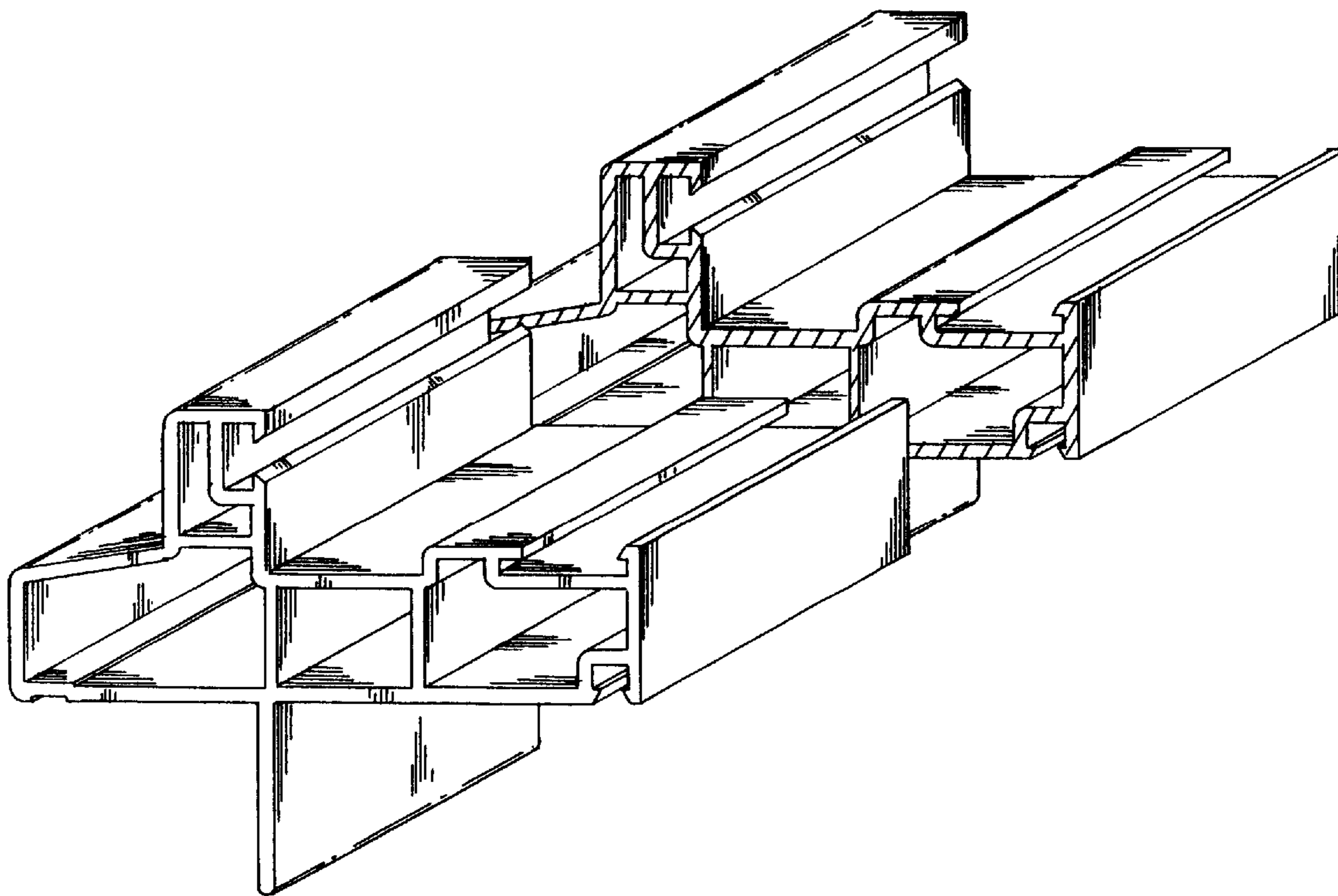


FIG. 1

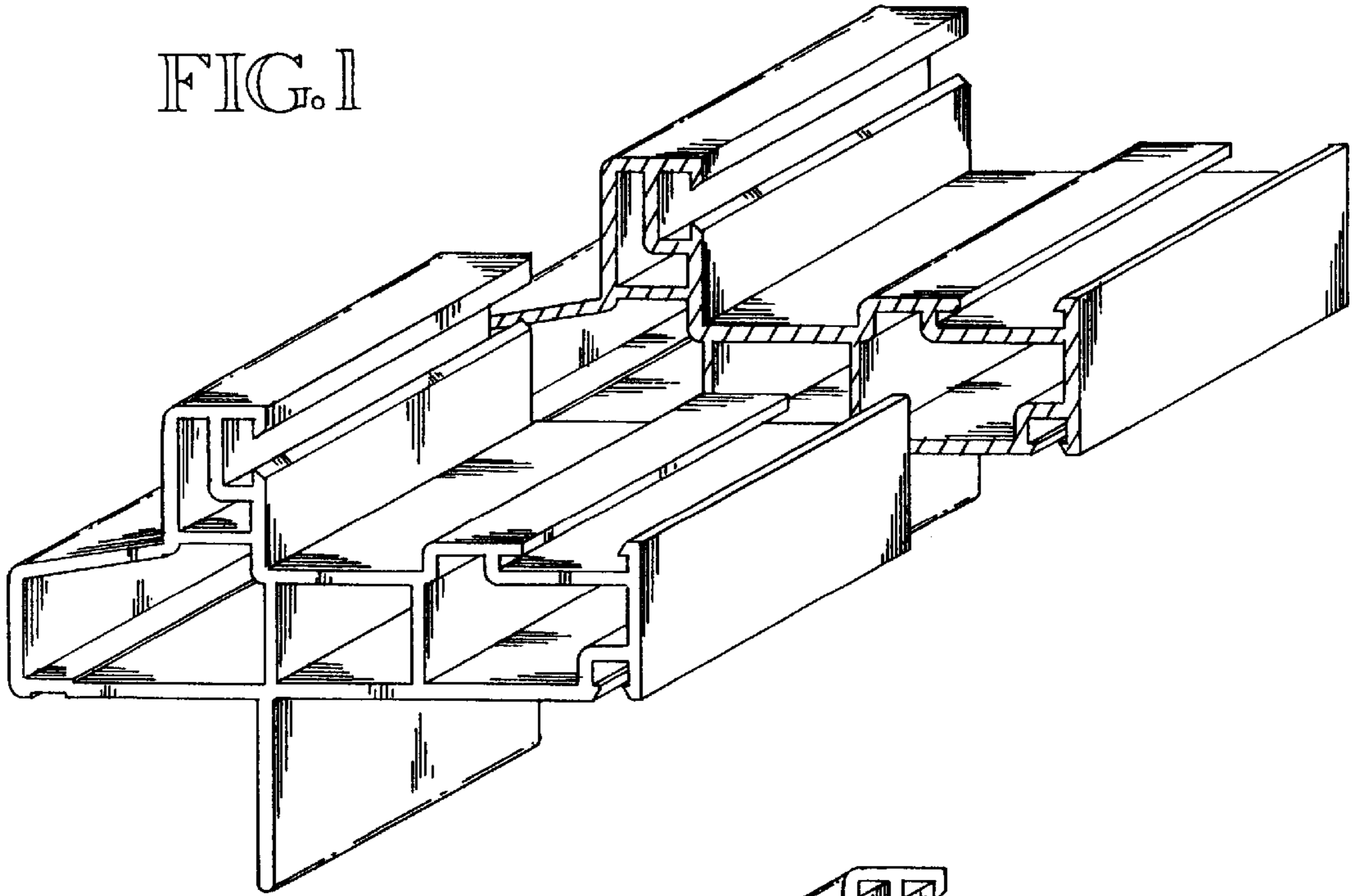


FIG. 2

