



US00D405893S

# United States Patent [19] Oliver

[11] **Patent Number: Des. 405,893**

[45] **Date of Patent: \*\*Feb. 16, 1999**

[54] **WINDOW COMPONENT EXTRUSION**

[75] Inventor: **Teresa A. Oliver**, Kent, Wash.

[73] Assignee: **Mikron Industries, Inc.**, Kent, Wash.

[\*\*] Term: **14 Years**

[21] Appl. No.: **86,037**

[22] Filed: **Apr. 3, 1998**

[51] **LOC (6) Cl.** ..... **25-01**

[52] **U.S. Cl.** ..... **D25/124**

[58] **Field of Search** ..... D25/119-124,  
D25/60, 52; 49/504, 505, DIG. 2; 52/204.5,  
204.56, 204.51, 204.1, 730.3

[56] **References Cited**

**U.S. PATENT DOCUMENTS**

- D. 375,803 11/1996 Oliver ..... D25/124
- D. 381,092 7/1997 DiGiorgio ..... D25/124

**OTHER PUBLICATIONS**

Lorane Goss, Mikron Part No. 7122 (U.S. Pat. Des. 385, 364), First sold Jul. 21, 1995.

Lorane Goss, Mikron Part No. 7137 (U.S. Pat. Des. 375, 804), First sold Oct. 11, 1995.

*Primary Examiner*—Doris Clark

*Attorney, Agent, or Firm*—Richardson & Folise

[57] **CLAIM**

The ornamental design for a window component extrusion, as shown and described.

**DESCRIPTION**

FIG. 1 is a top right perspective view of the window component extrusion which is broken in the center indicating indefinite length; and,

FIG. 2 is a bottom left perspective view of the window component extrusion shown in FIG. 1.

**1 Claim, 1 Drawing Sheet**

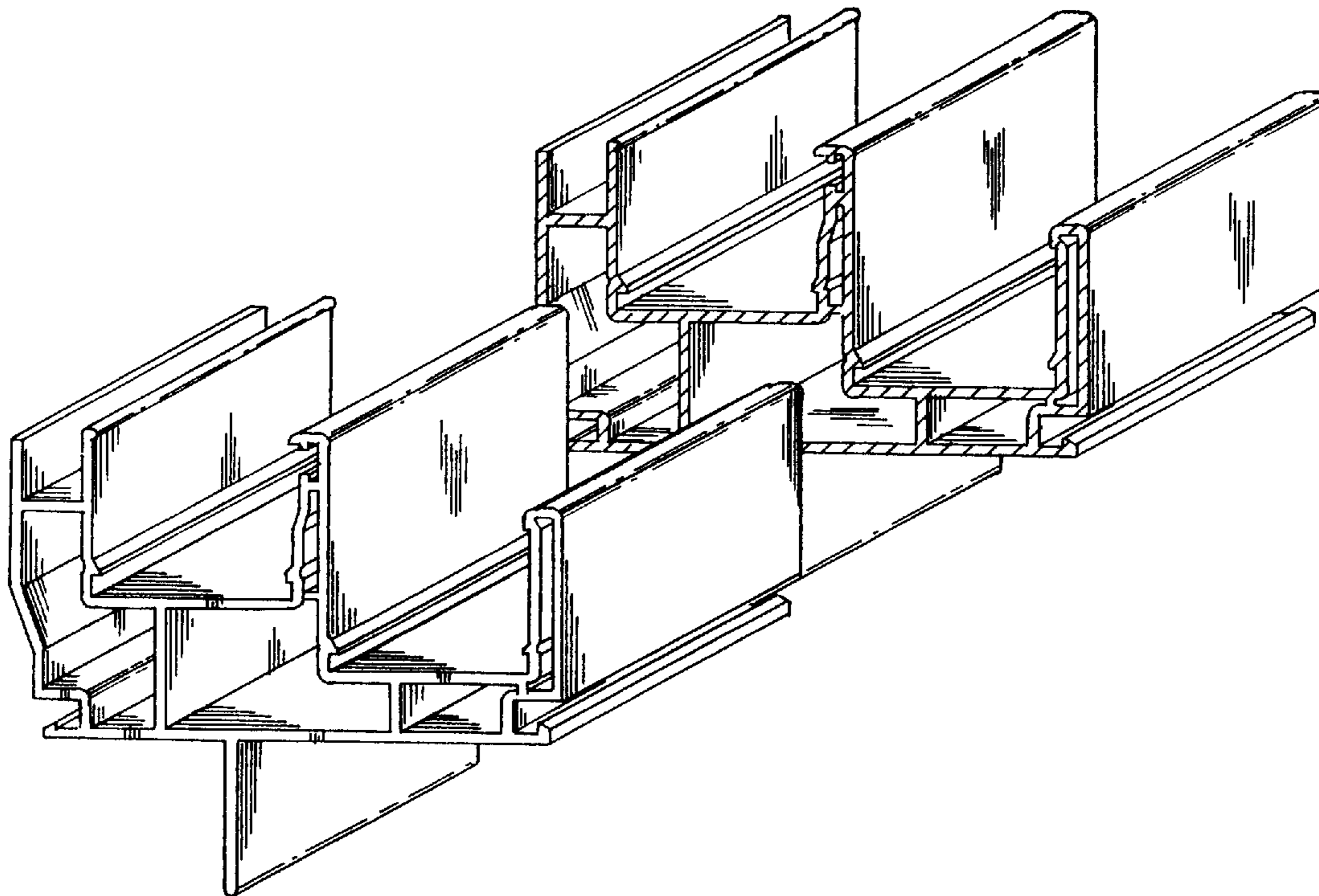


FIG. 1

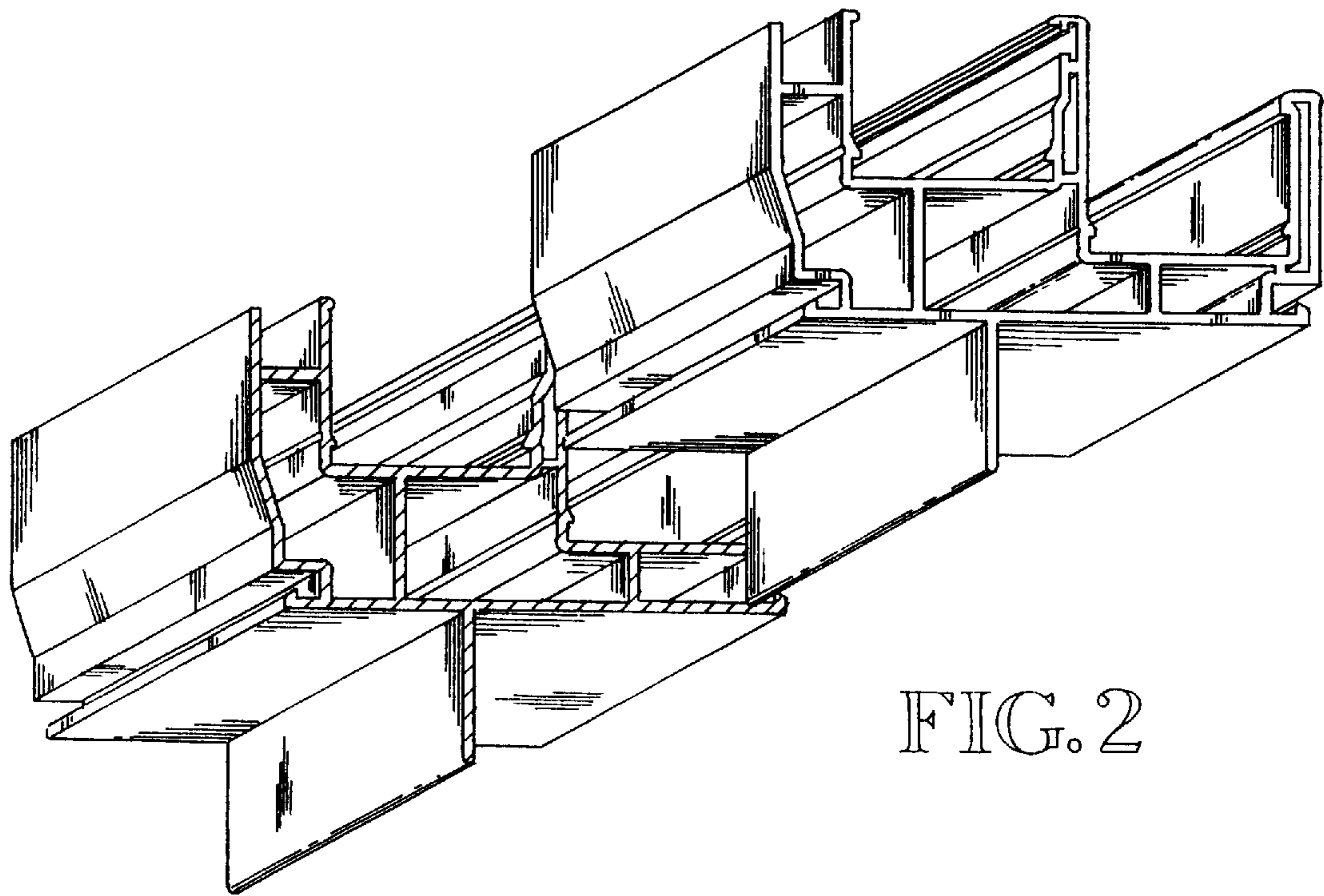
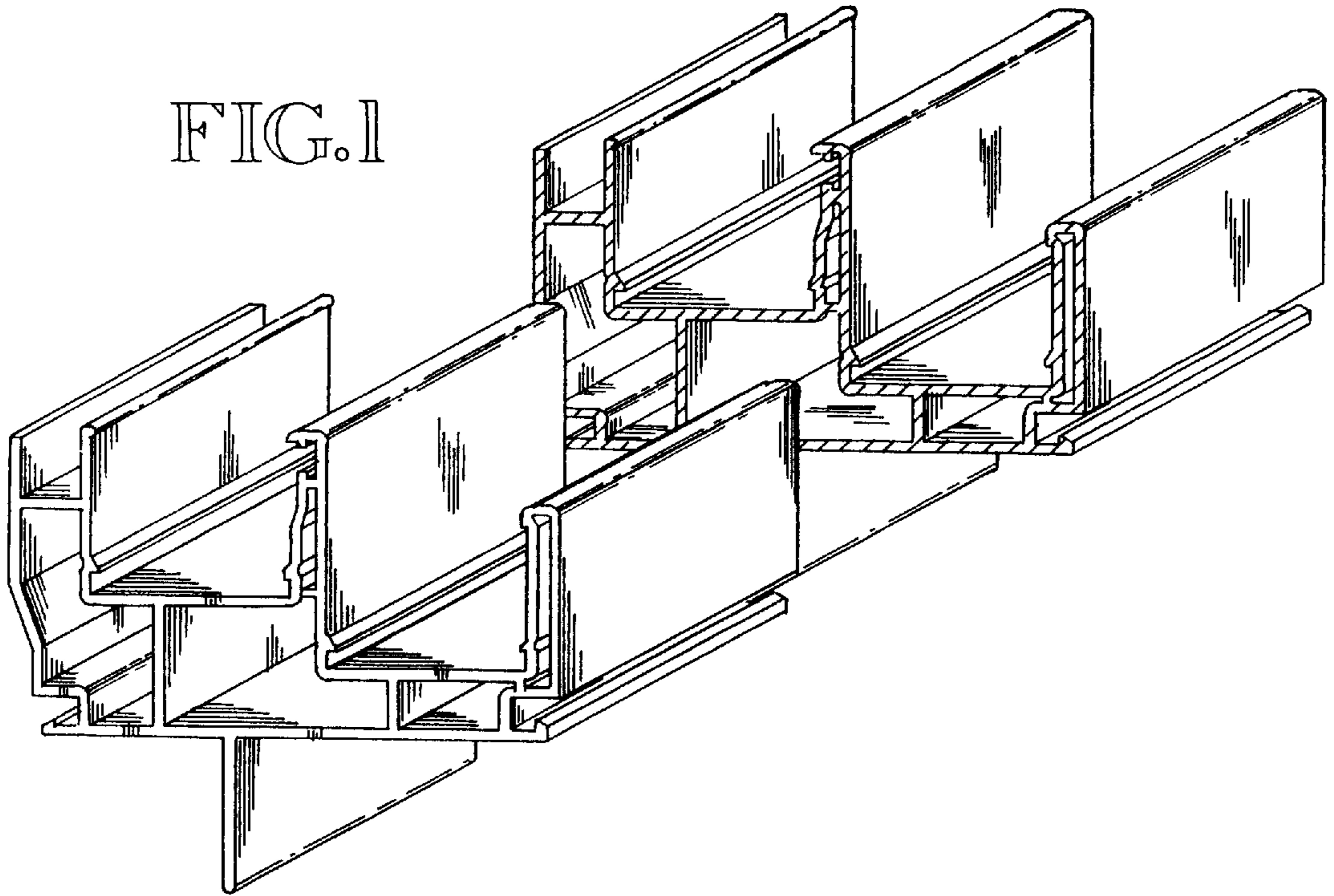


FIG. 2