



US00D405888S

United States Patent [19]

Antoskow

[11] **Patent Number: Des. 405,888**

[45] **Date of Patent: **Feb. 16, 1999**

[54] **MASSAGER**

[76] Inventor: **Christopher P. Antoskow**, 5621 Deerfield Pl., Kennesaw, Ga. 30144

[**] Term: **14 Years**

[21] Appl. No.: **87,830**

[22] Filed: **May 11, 1998**

[51] **LOC (6) Cl. 28-03**

[52] **U.S. Cl. D24/211**

[58] **Field of Search D24/212, 213, D24/211, 200; 601/27, 28, 29, 32, 113, 115, 118, 122, 128, 131, 134, 136**

[56] **References Cited**

U.S. PATENT DOCUMENTS

- D. 242,826 12/1976 Posh et al. D24/212
- D. 253,967 1/1980 Miyadai D24/212
- D. 393,720 4/1998 Chien D24/212

- D. 395,137 6/1998 Summers D24/211
- D. 396,111 7/1998 Chien D24/211

Primary Examiner—Stella Reid
Attorney, Agent, or Firm—Watson Cole Grindle Watson, P.L.L.C.

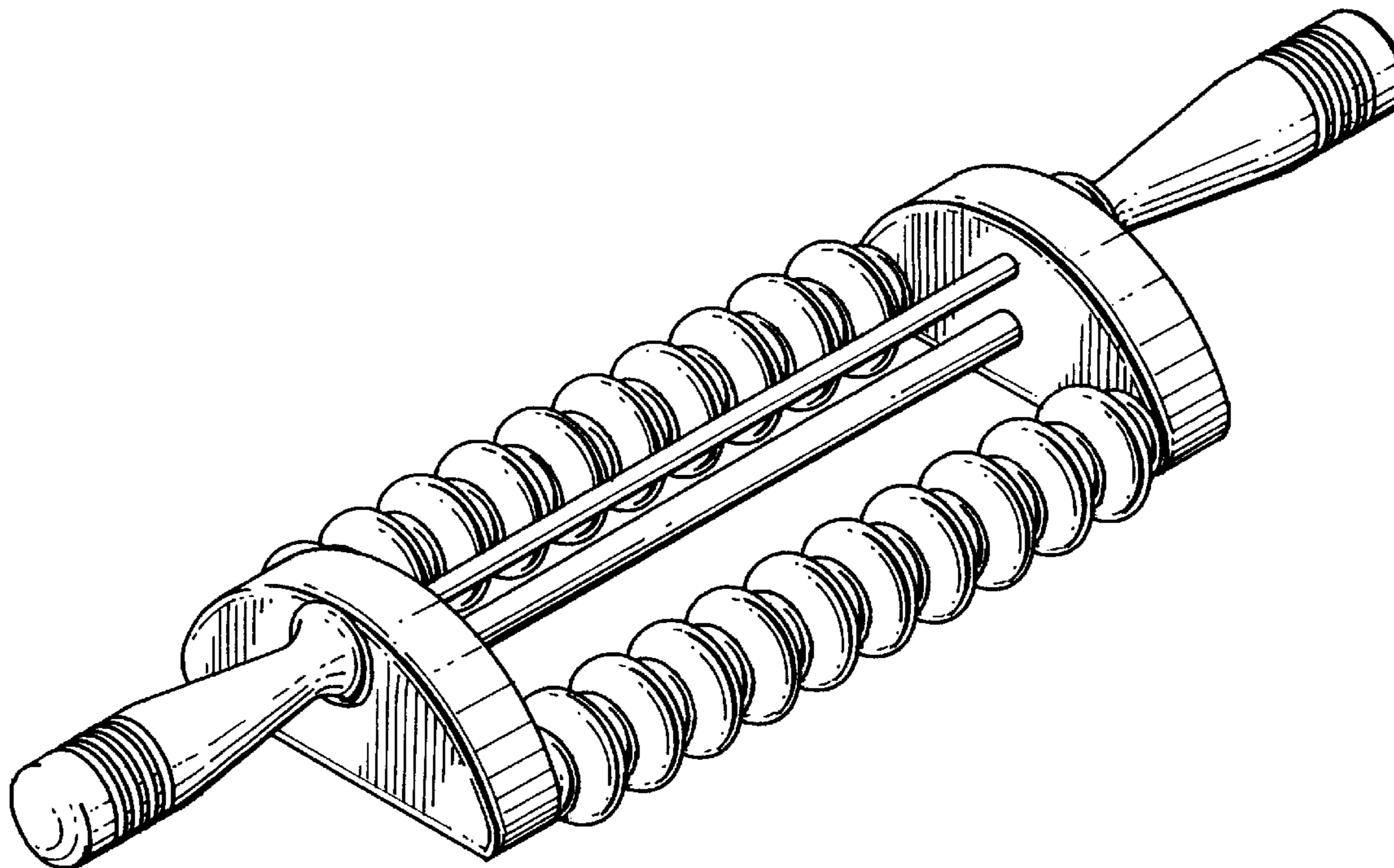
[57] **CLAIM**

The ornamental design for a massager, as shown and described.

DESCRIPTION

FIG. 1 is a top perspective view of a massager, showing my new design;
FIG. 2 is an end view thereof, the opposite end view being identical;
FIG. 3 is a front view thereof, the rear view being identical;
FIG. 4 is a top view thereof; and,
FIG. 5 is a bottom view thereof.

1 Claim, 2 Drawing Sheets



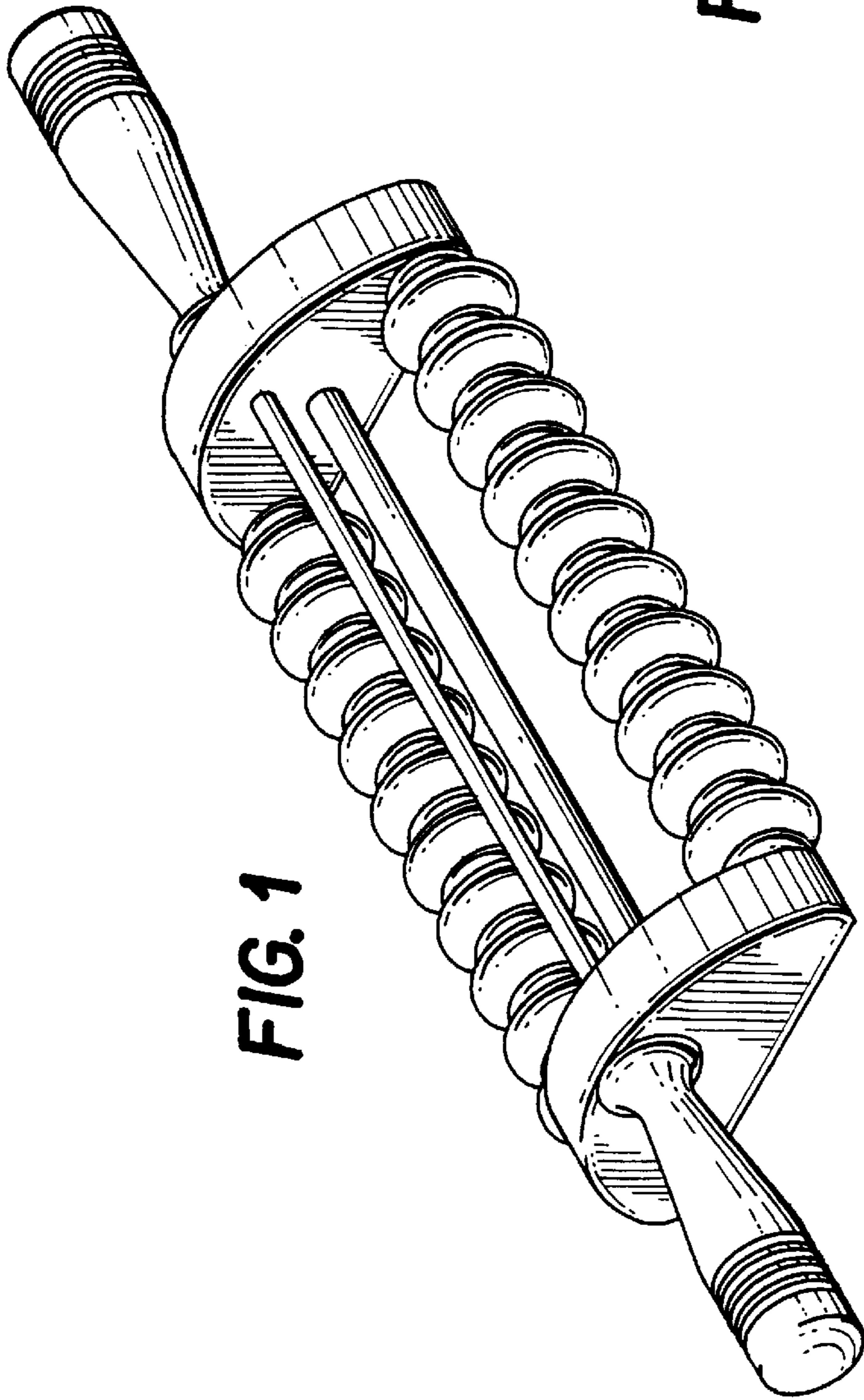


FIG. 1

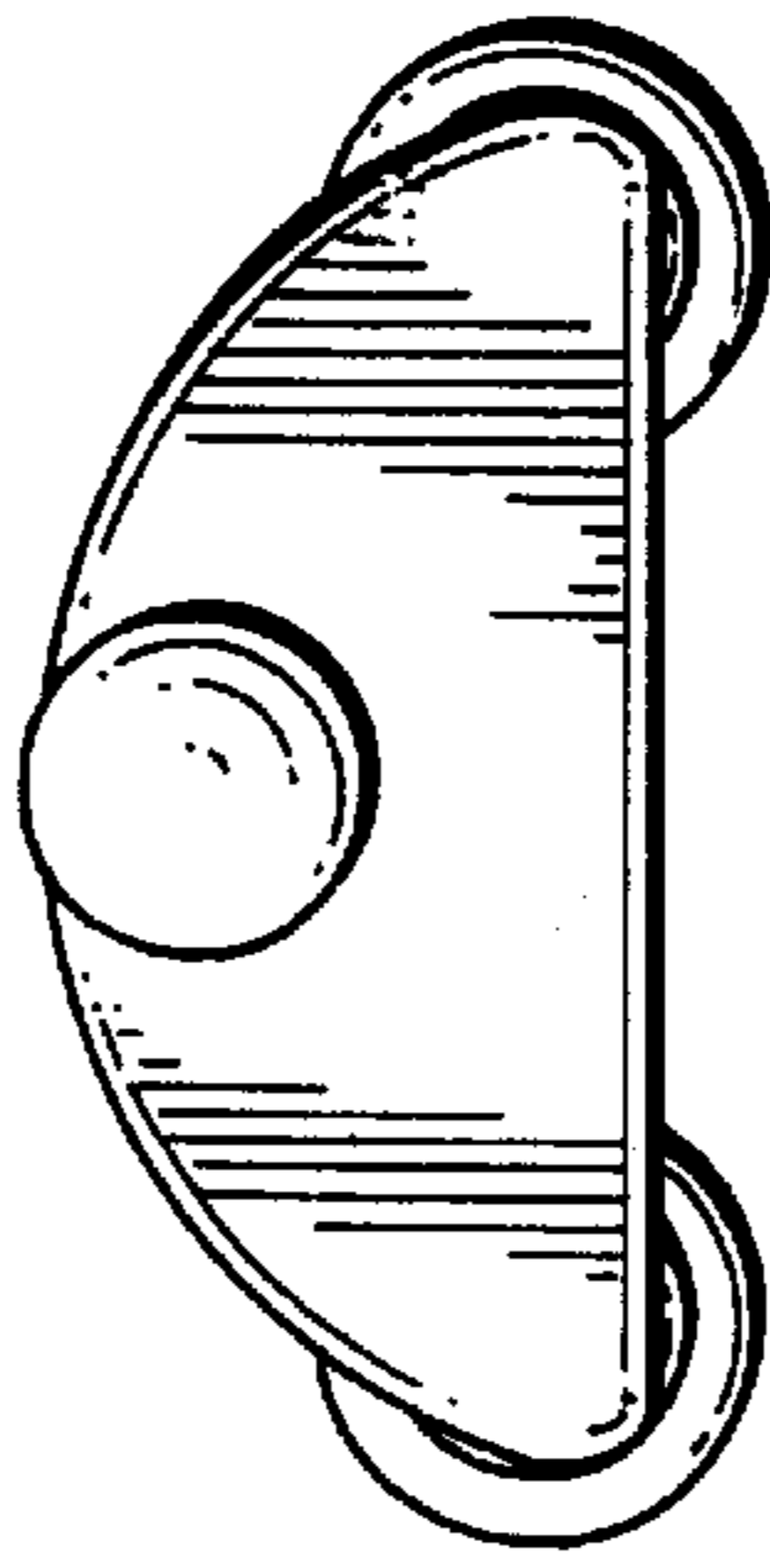


FIG. 2

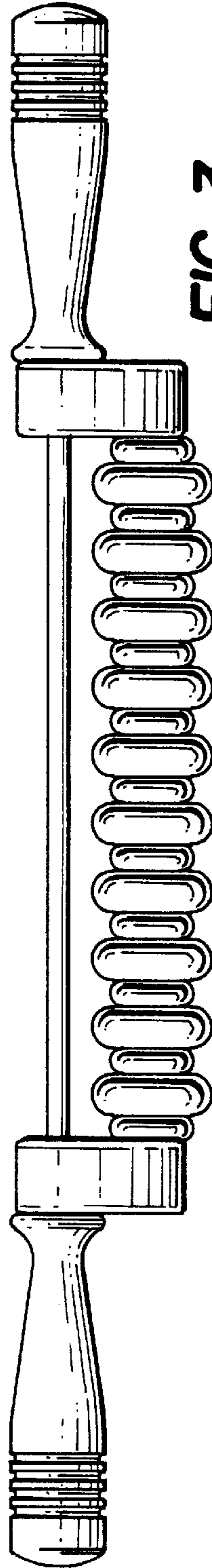


FIG. 3

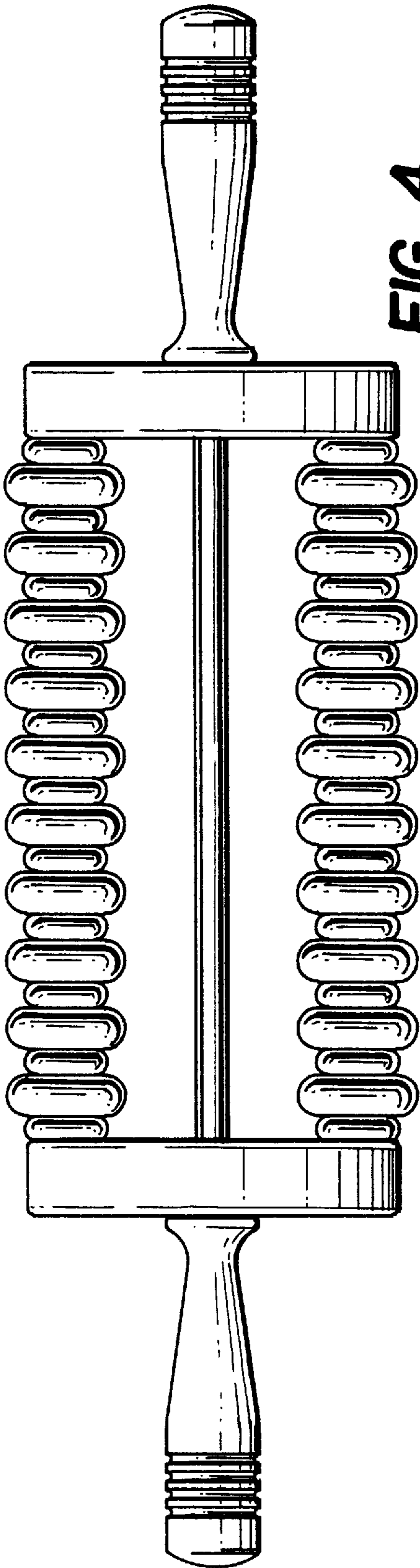


FIG. 4

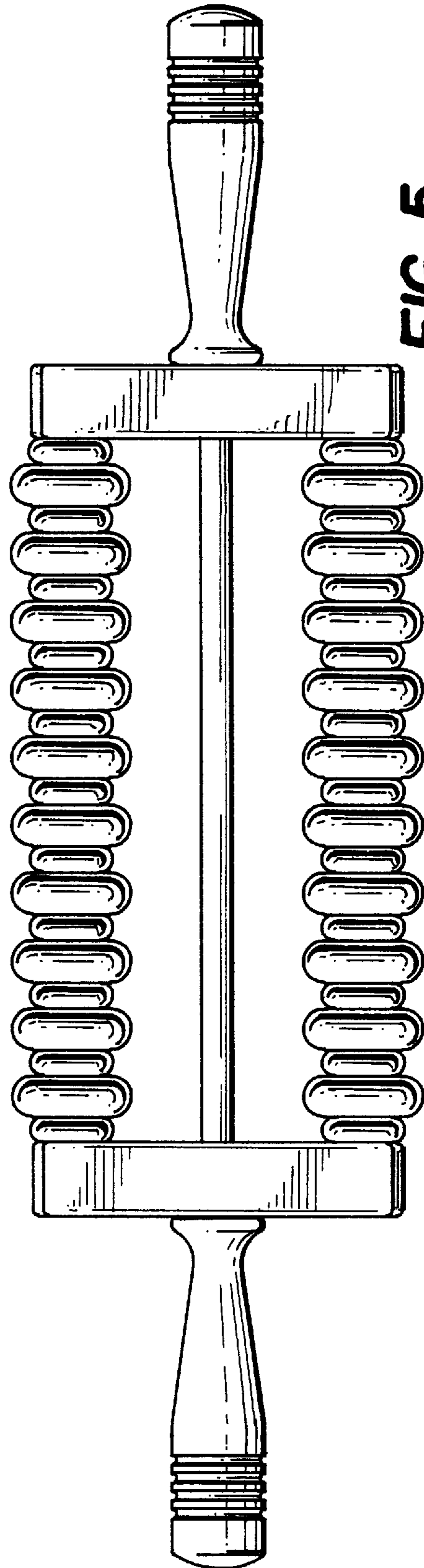


FIG. 5