



US00D405887S

United States Patent [19]

Antoskow

[11] Patent Number: **Des. 405,887**

[45] Date of Patent: ****Feb. 16, 1999**

[54] **MASSAGER**

[76] Inventor: **Christopher P. Antoskow**, 5621 Deerfield Pl., Kennesaw, Ga. 30144

[**] Term: **14 Years**

[21] Appl. No.: **87,829**

[22] Filed: **May 11, 1998**

[51] **LOC (6) Cl.** **25-03**

[52] **U.S. Cl.** **D24/211**

[58] **Field of Search** D24/212, 213, D24/211, 200; 601/27, 28, 29, 32, 113, 115, 118, 122, 128, 131, 134, 136

[56] **References Cited**

U.S. PATENT DOCUMENTS

D. 242,826	12/1976	Posh et al.	D24/212
D. 253,967	1/1980	Miyadai	D24/212
D. 393,720	4/1998	Chien	D24/212
D. 395,137	6/1998	Summers	D24/211
D. 396,111	7/1998	Chien	D24/211

Primary Examiner—Stella Reid

Attorney, Agent, or Firm—Watson Cole Grindle Watson, P.L.L.C.

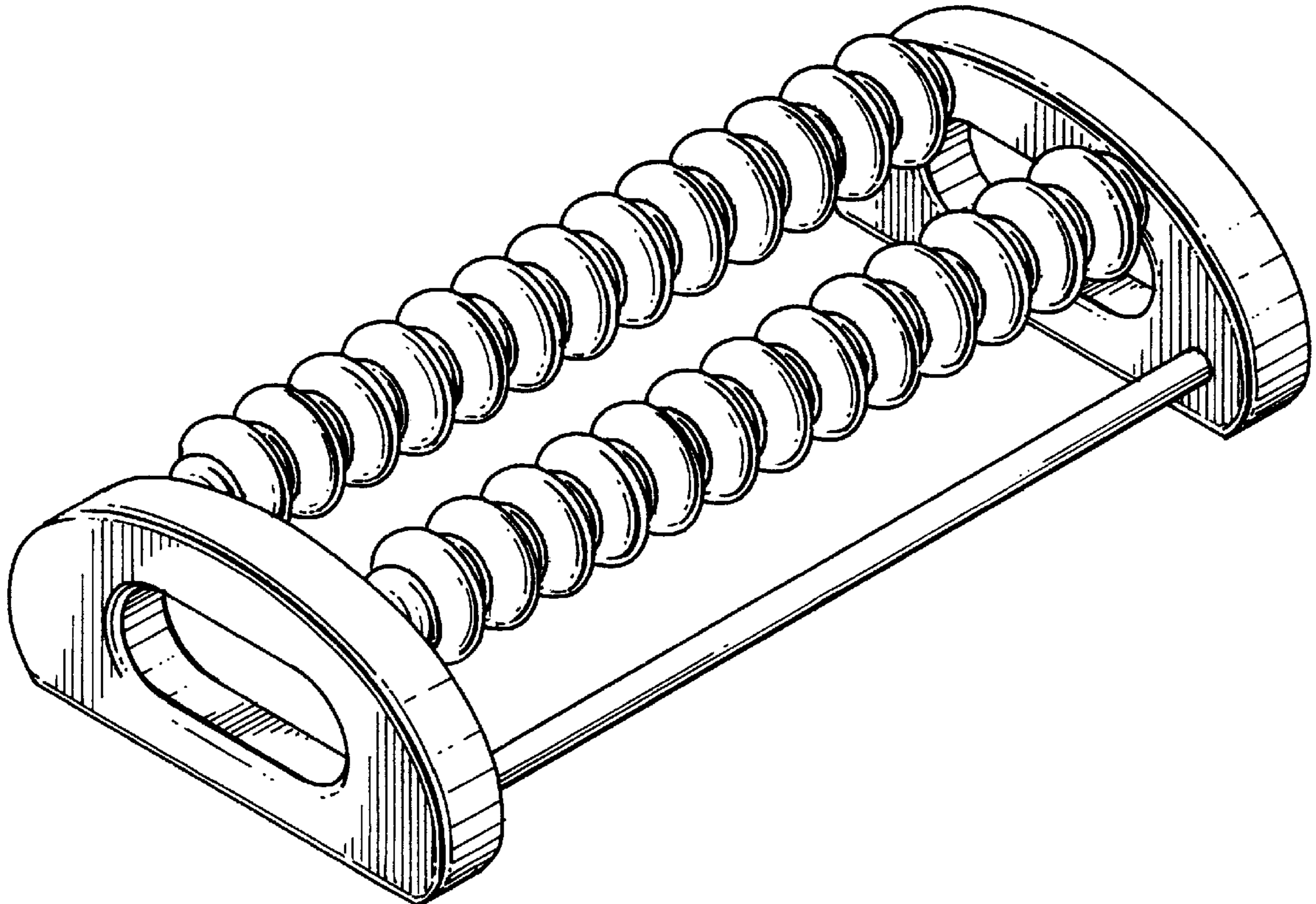
[57] **CLAIM**

The ornamental design for a massager, as shown and described.

DESCRIPTION

FIG. 1 is a top perspective view of a massager, showing my new design;
 FIG. 2 is an end view thereof, the opposite end view being identical;
 FIG. 3 is a front view thereof, the rear view being identical;
 FIG. 4 is a top view thereof;
 FIG. 5 is a bottom view thereof;
 FIG. 6 is a top perspective view of a second embodiment of the massager, showing my new design;
 FIG. 7 is an end view thereof, the opposite end view being a mirror image of FIG. 7;
 FIG. 8 is a top view thereof;
 FIG. 9 is a bottom view thereof;
 FIG. 10 is a front view thereof; and,
 FIG. 11 is a rear view thereof.

1 Claim, 4 Drawing Sheets



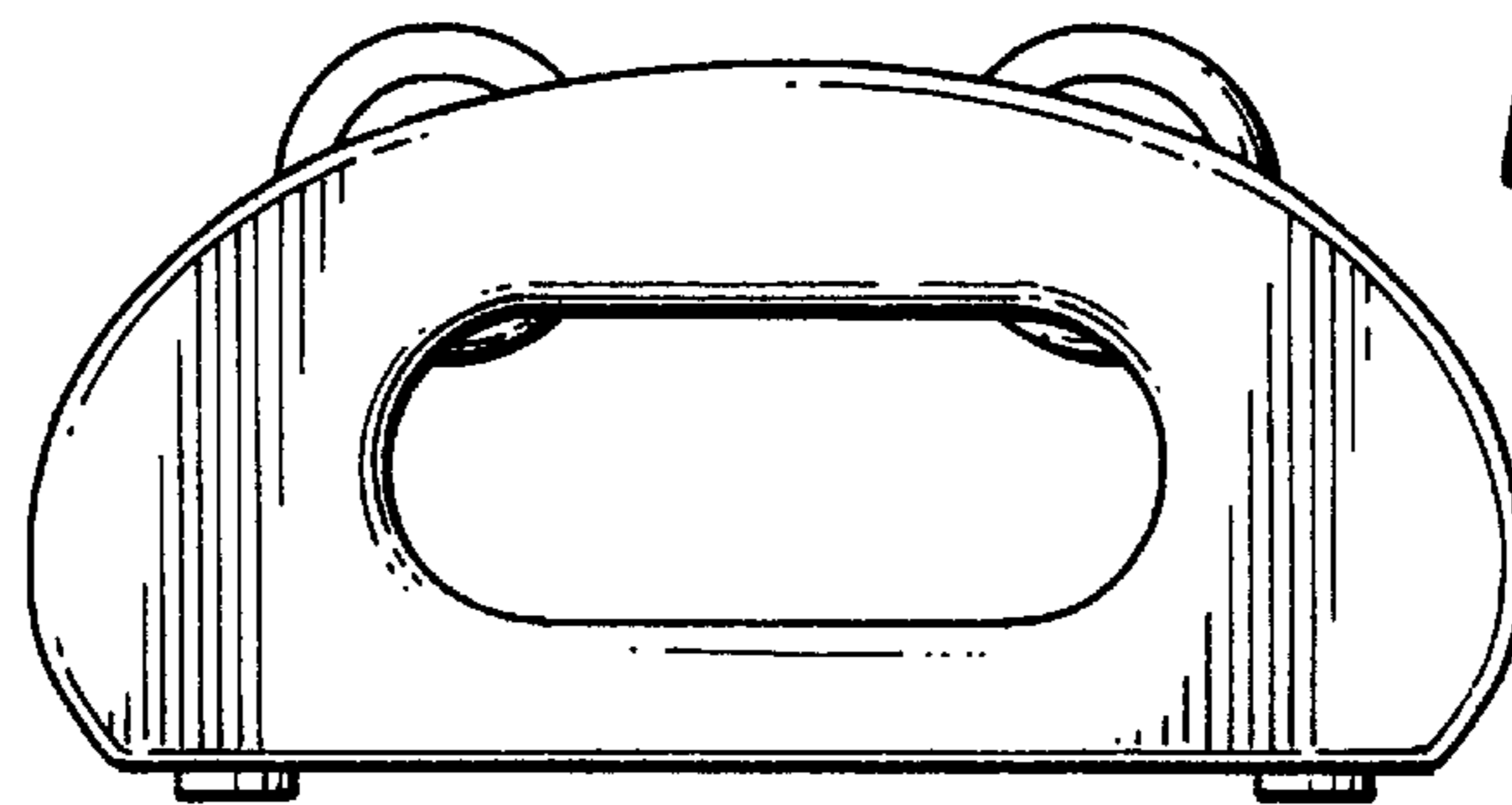
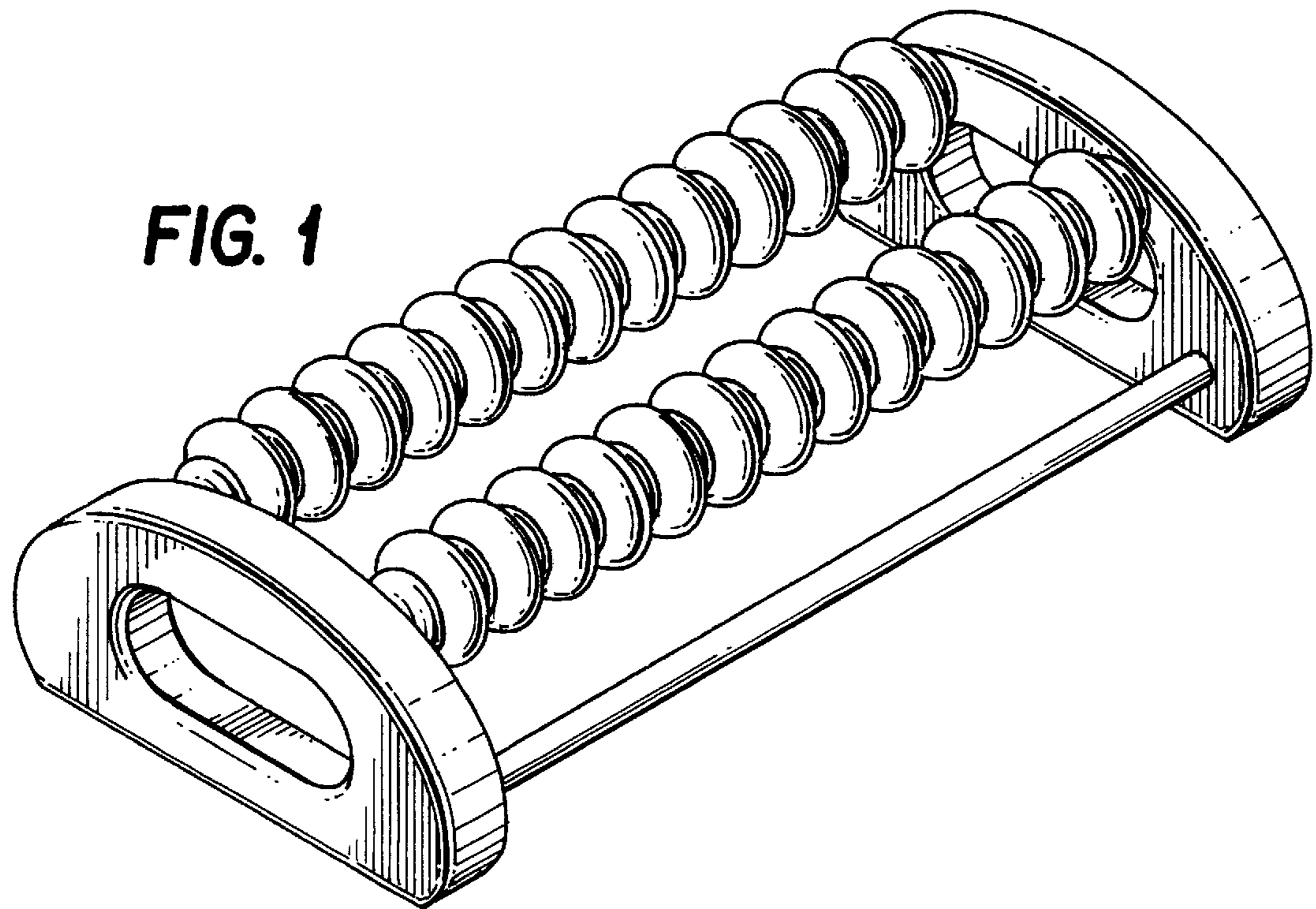
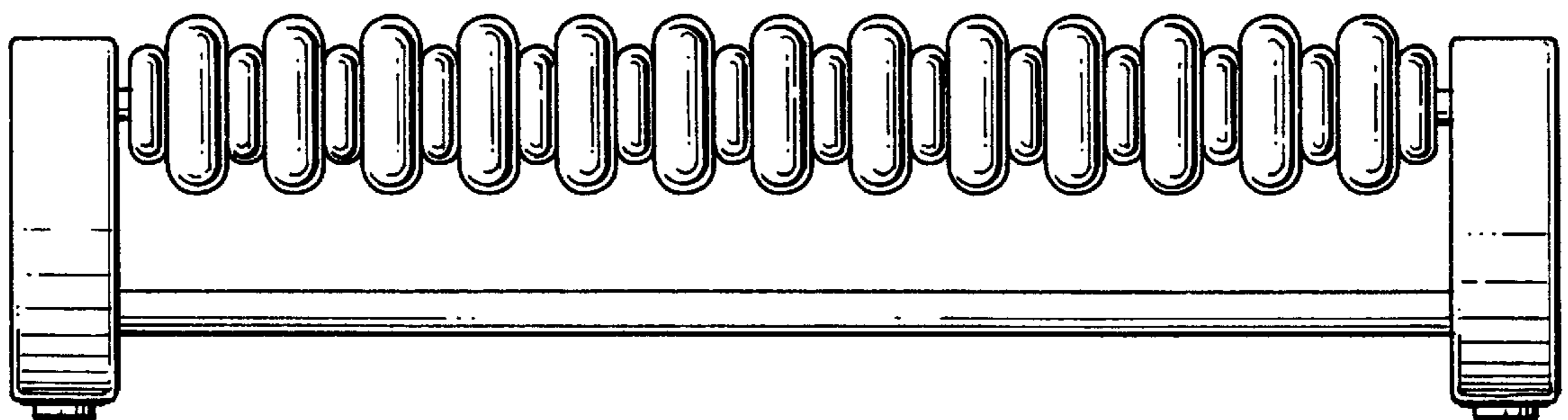


FIG. 3



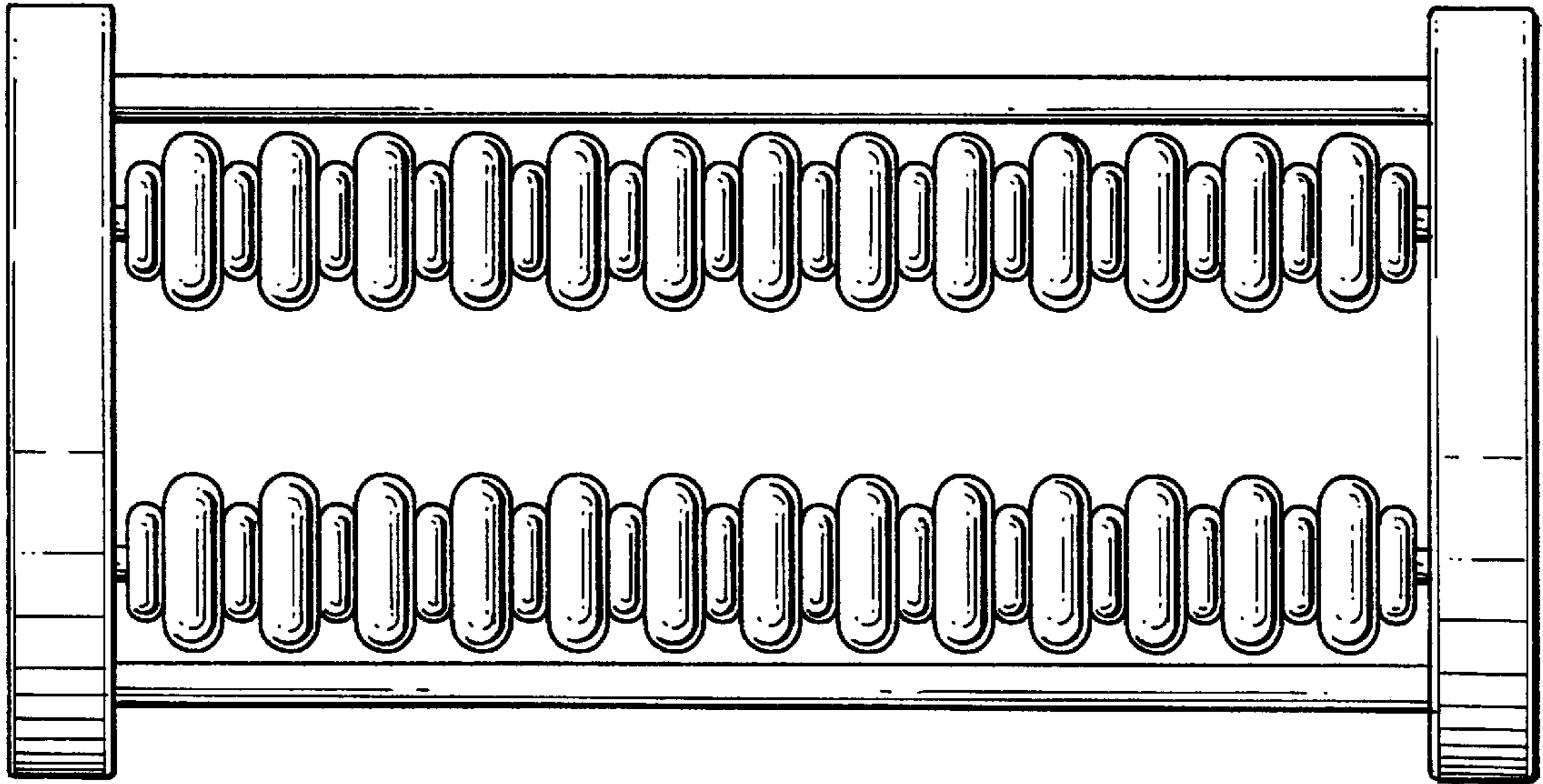


FIG. 4

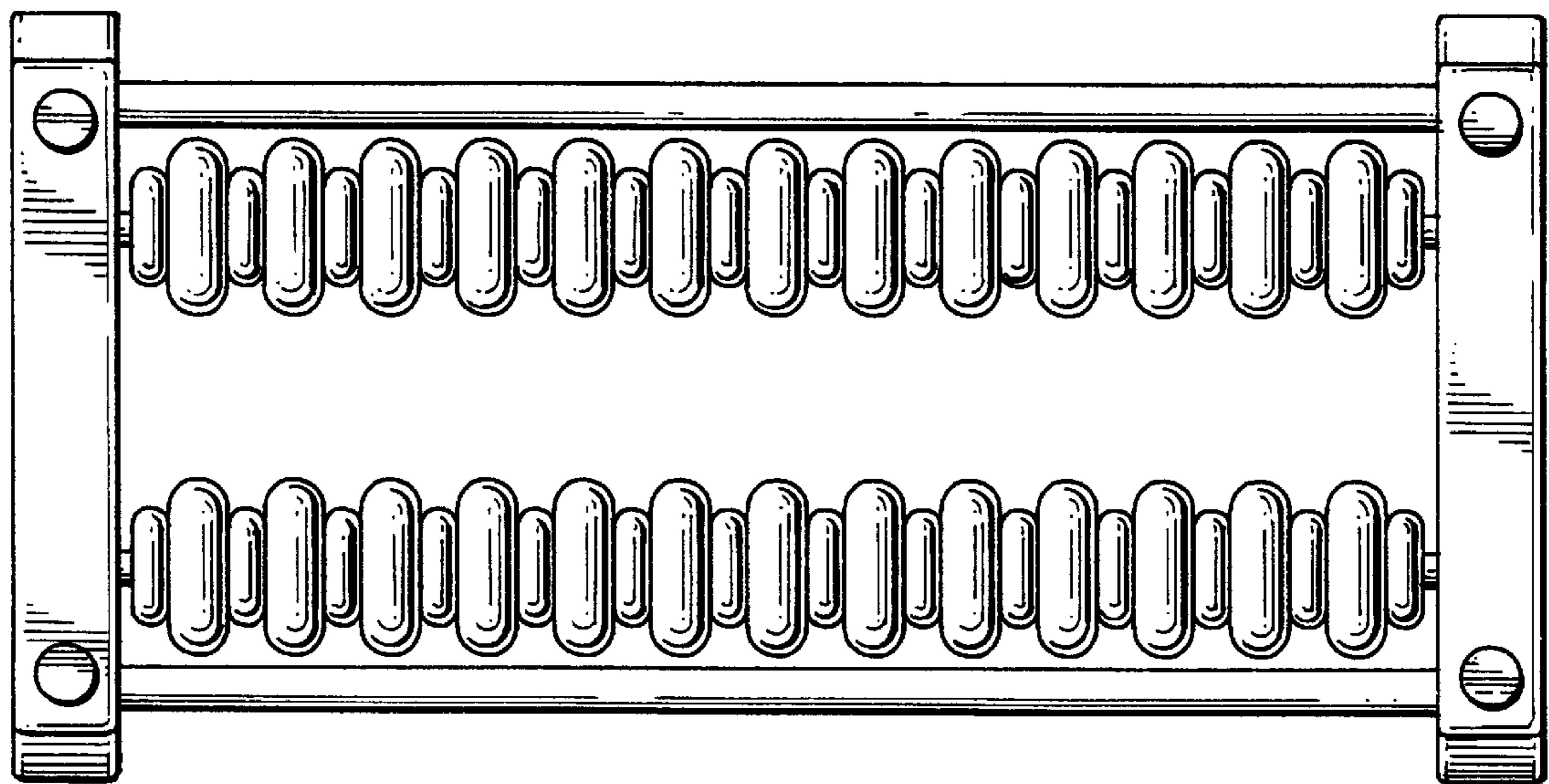


FIG. 5

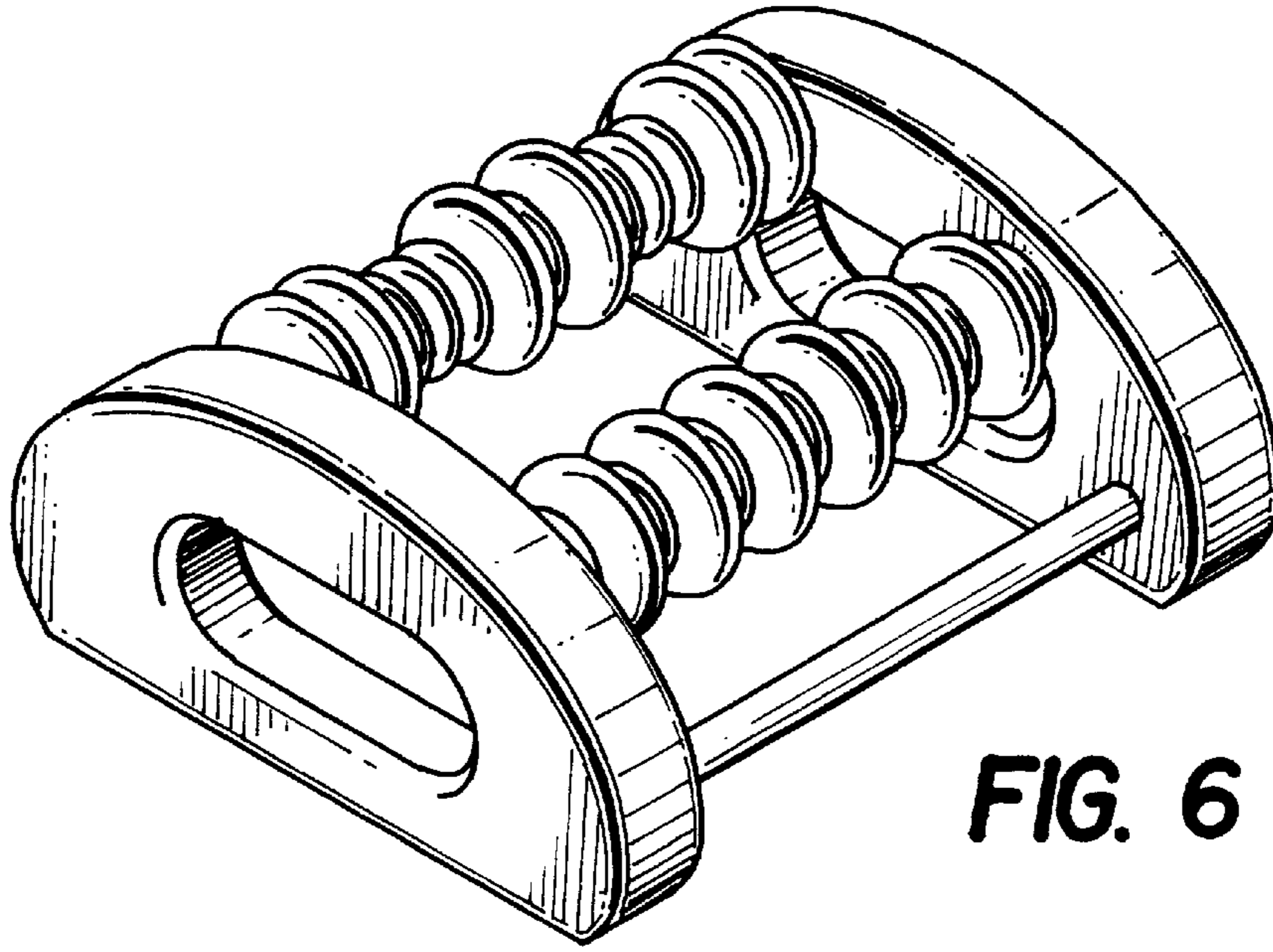


FIG. 10

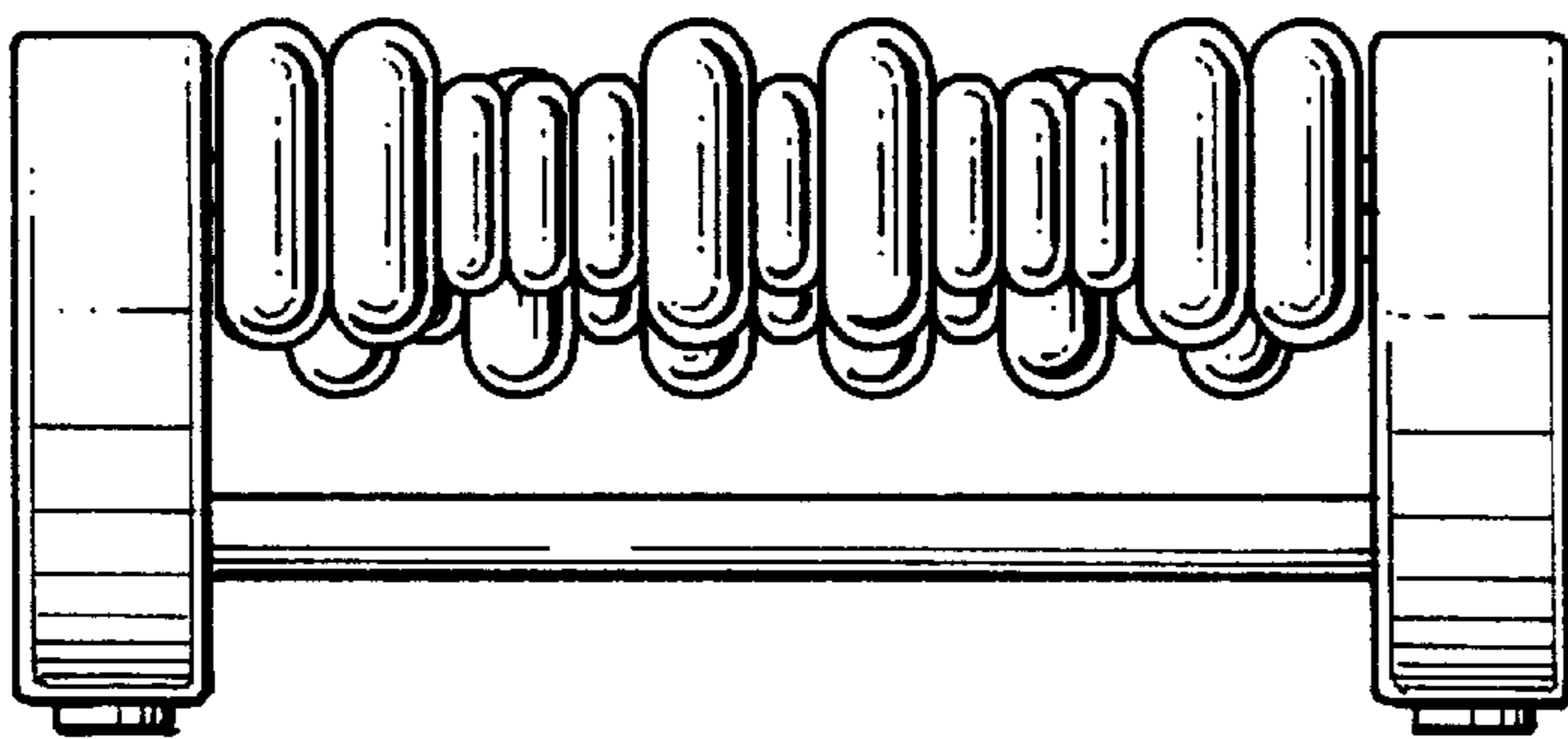
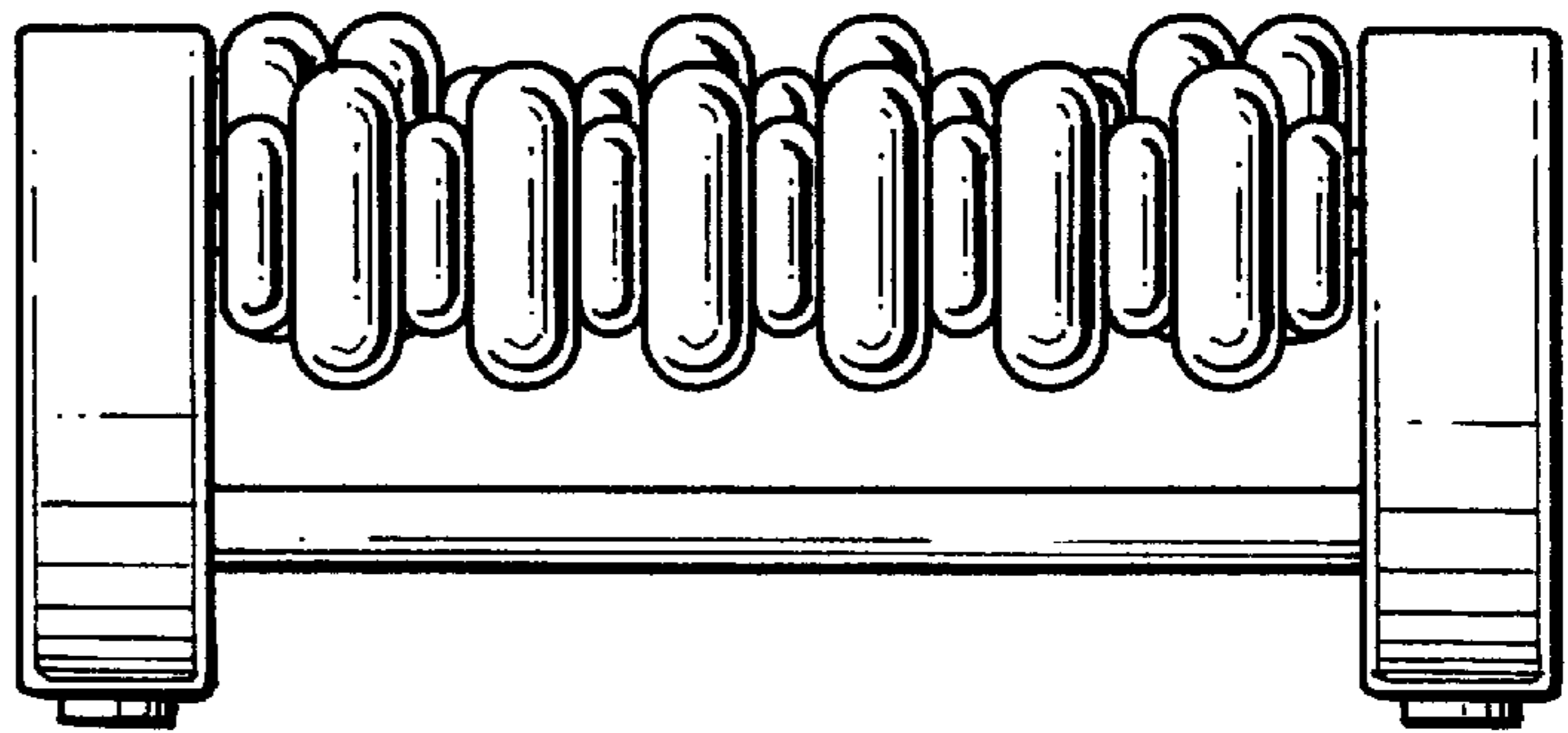


FIG. 11

FIG. 7

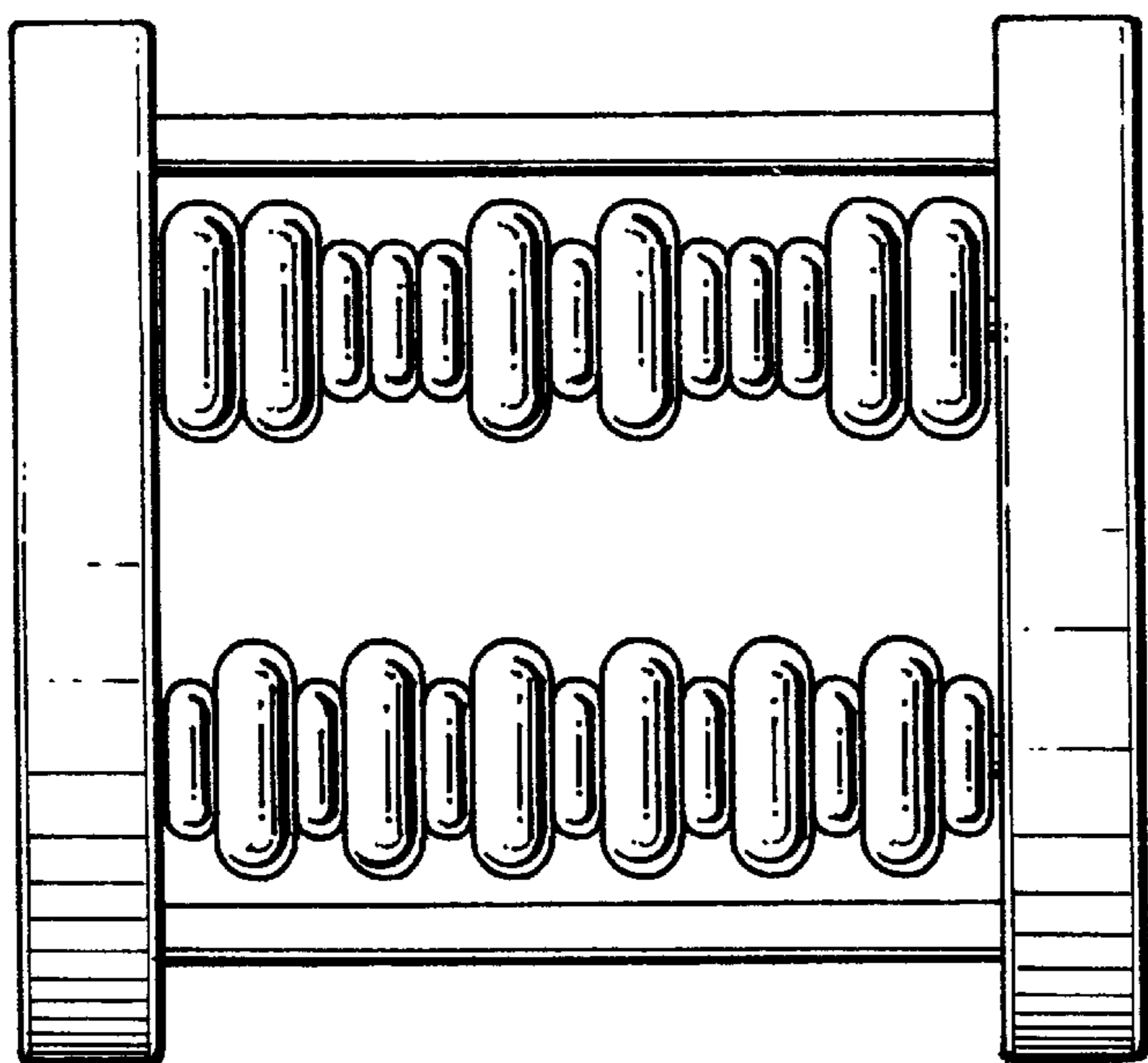
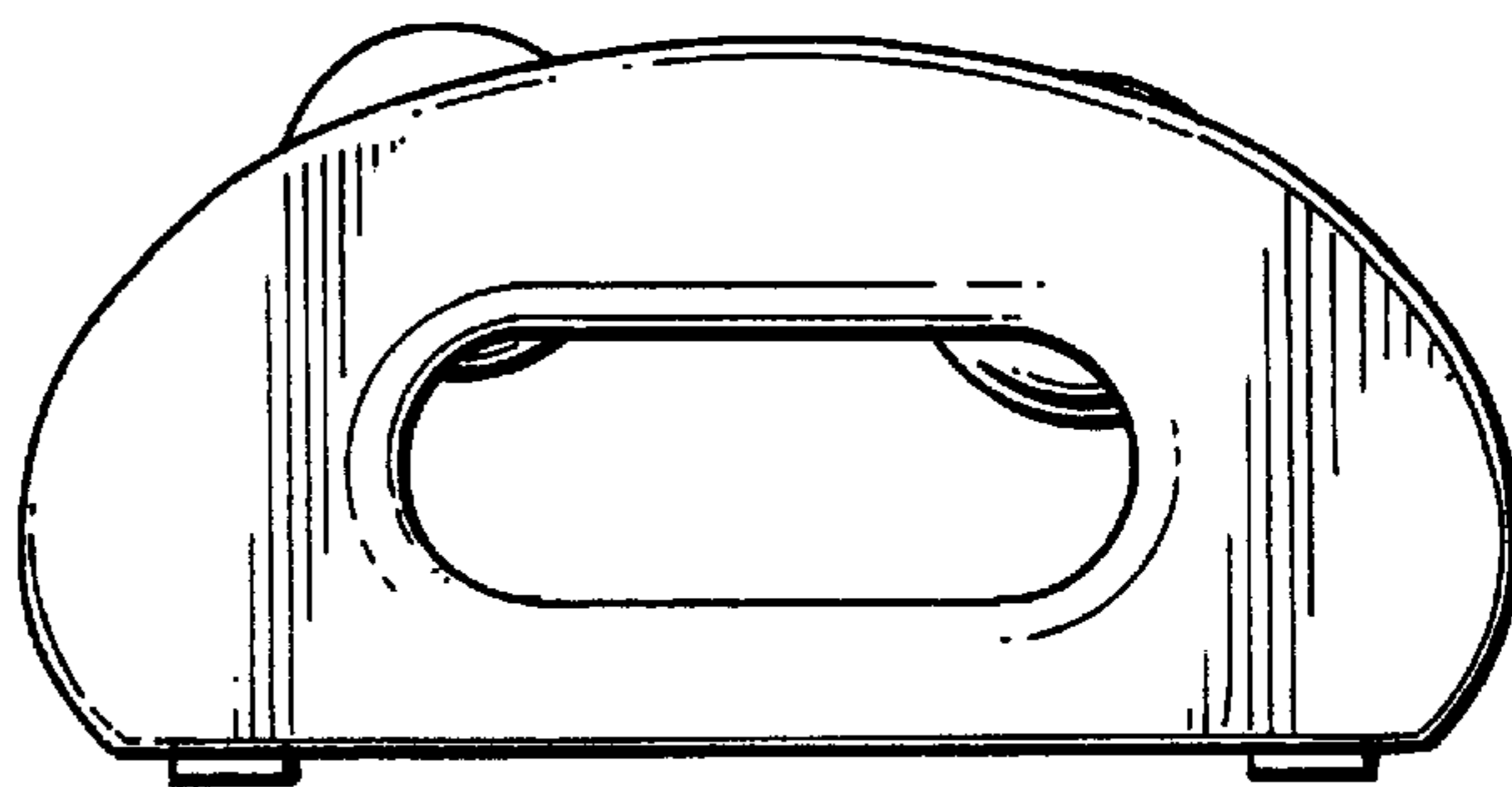


FIG. 8

FIG. 9

