



US00D405882S

United States Patent [19] Yale

[11] **Patent Number: Des. 405,882**

[45] **Date of Patent: **Feb. 16, 1999**

[54] **BLUNT CANNULA**

[75] Inventor: **Mark C. Yale**, Westwood, N.J.

[73] Assignee: **Becton, Dickinson and Company**,
Franklin Lakes, N.J.

[**] Term: **14 Years**

[21] Appl. No.: **88,774**

[22] Filed: **Jun. 1, 1998**

[51] **LOC (6) Cl.** **24-02**

[52] **U.S. Cl.** **D24/112**

[58] **Field of Search** D24/112, 130,
D24/146, 147; 606/167, 170, 184, 185;
604/251, 264, 256, 168, 192, 198, 203,
411

[56] **References Cited**

U.S. PATENT DOCUMENTS

- D. 312,876 12/1990 Spock .
- D. 386,260 11/1997 Polaniec D24/112
- D. 387,426 12/1997 Husar et al. D24/112
- 5,030,205 7/1991 Holdway et al. 604/264 X

- 5,275,583 1/1994 Crainich 604/264
- 5,453,099 9/1995 Lee et al. 604/264 X
- 5,743,888 4/1998 Wilkes et al. 604/198

Primary Examiner—Susan J. Lucas
Assistant Examiner—Cynthia E. Ramirez
Attorney, Agent, or Firm—John L. Voellmicke

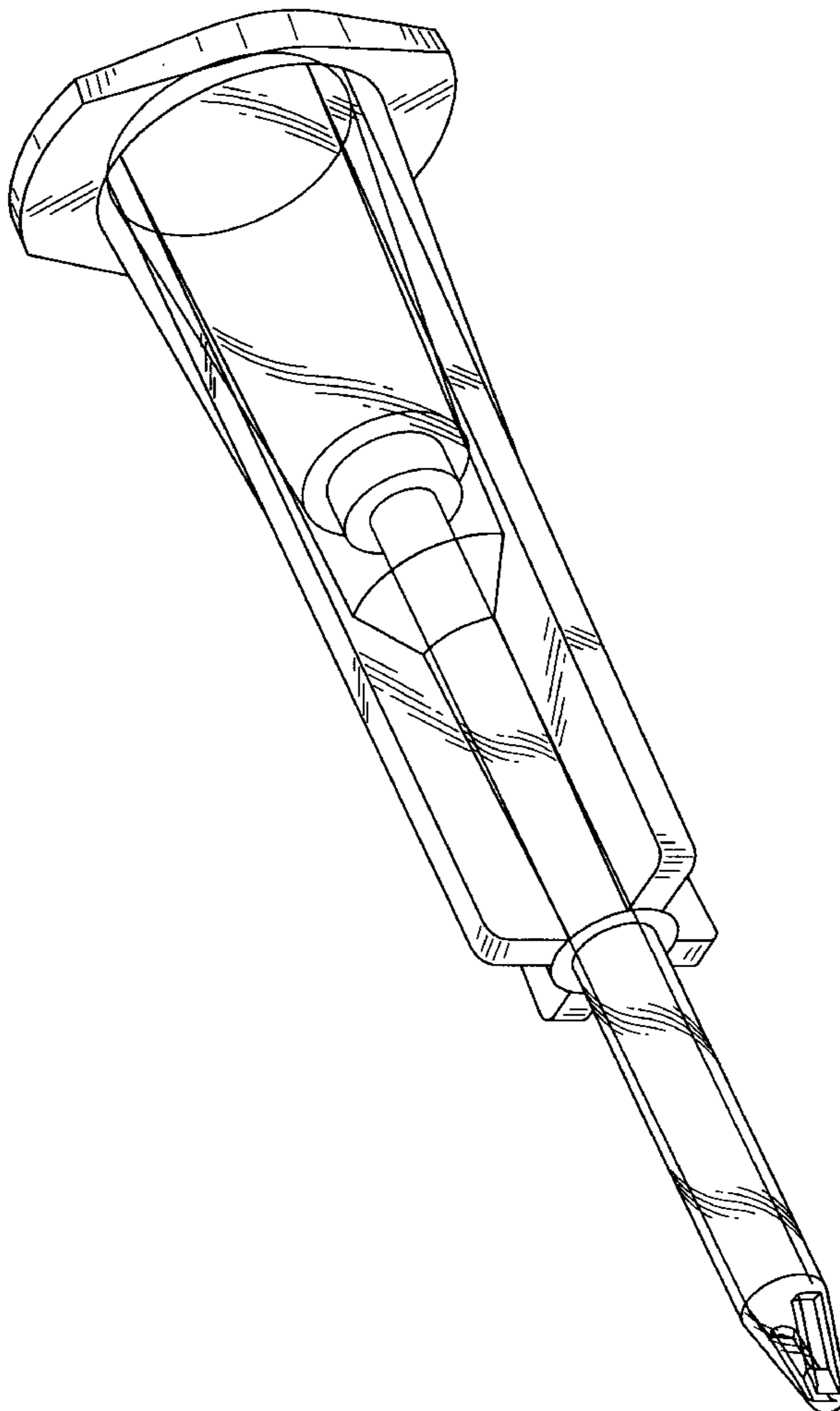
[57] **CLAIM**

The ornamental design of a blunt cannula, as shown and described.

DESCRIPTION

FIG. 1 is a perspective view of a blunt cannula showing my design;
FIG. 2 is a top plan view of the blunt cannula of FIG. 1, the bottom plan view being a mirror image thereof;
FIG. 3 is a front elevational view of the blunt cannula of FIG. 1, the rear elevational view being a mirror image thereof;
FIG. 4 is a left-side elevational view of the blunt cannula of FIG. 3; and,
FIG. 5 is a right-side elevational view of the blunt cannula of FIG. 3.

1 Claim, 3 Drawing Sheets



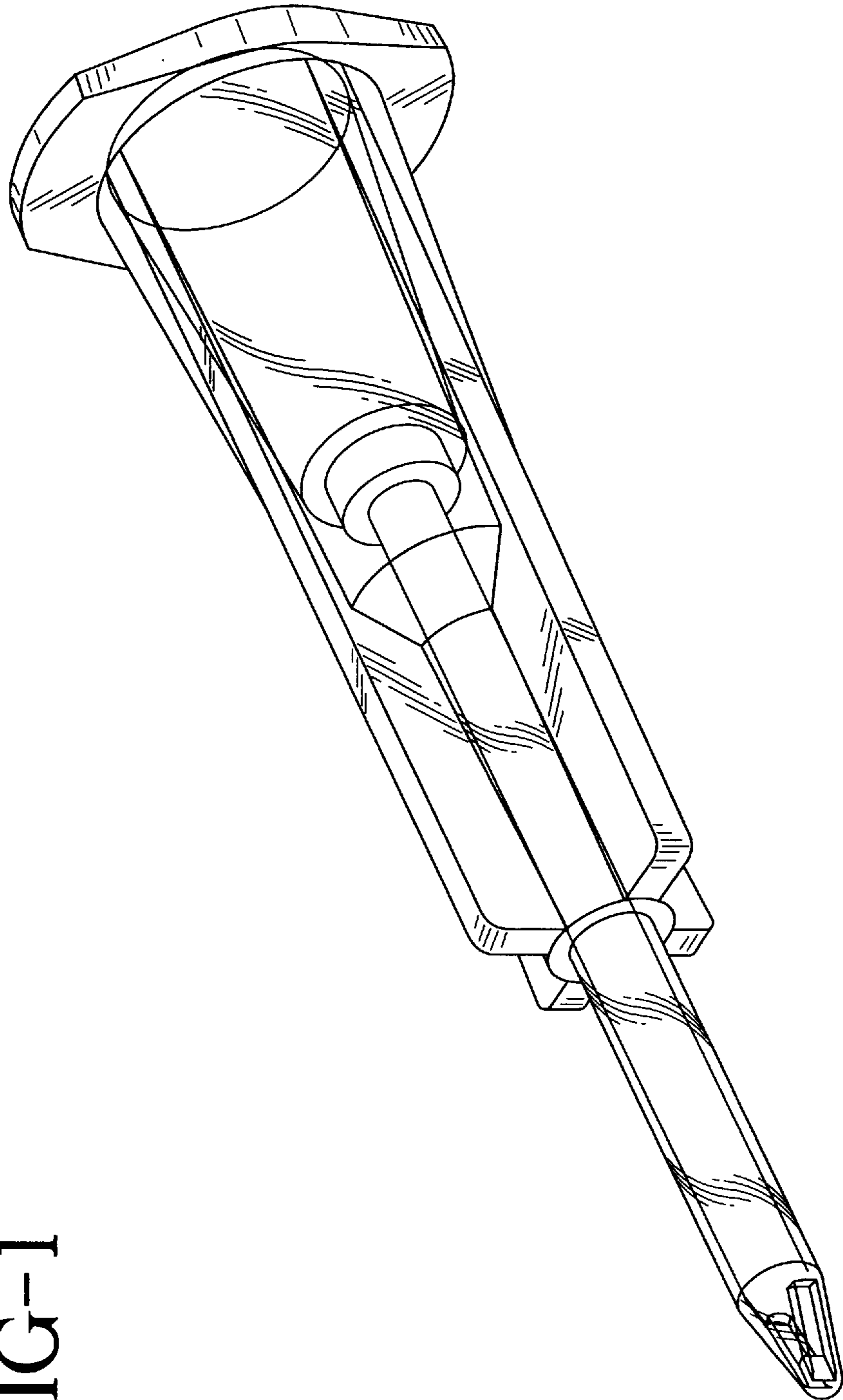


FIG-1

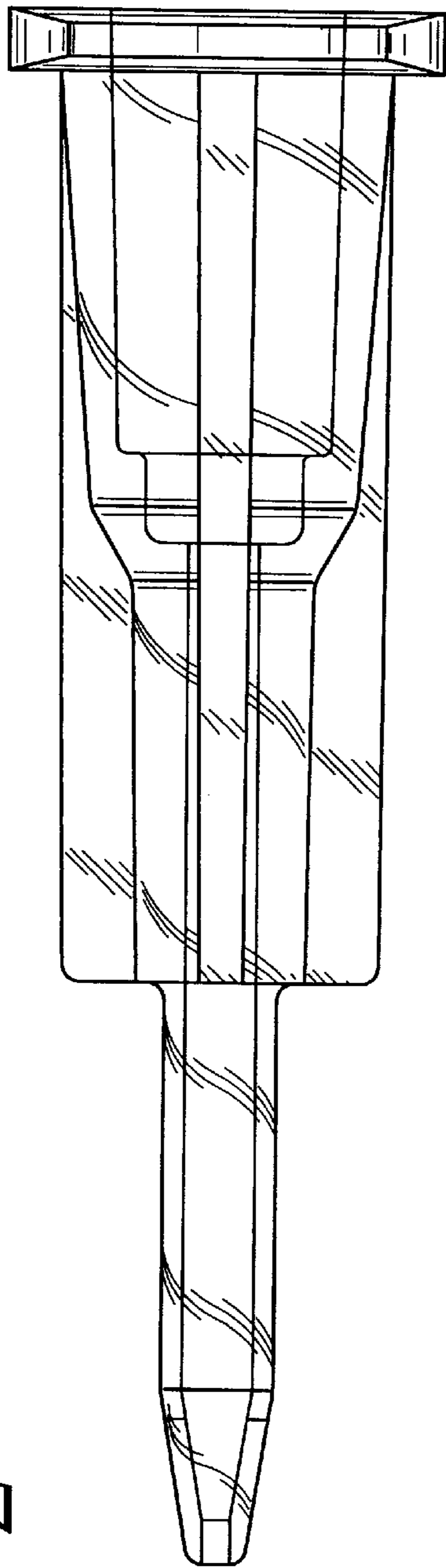


FIG-2

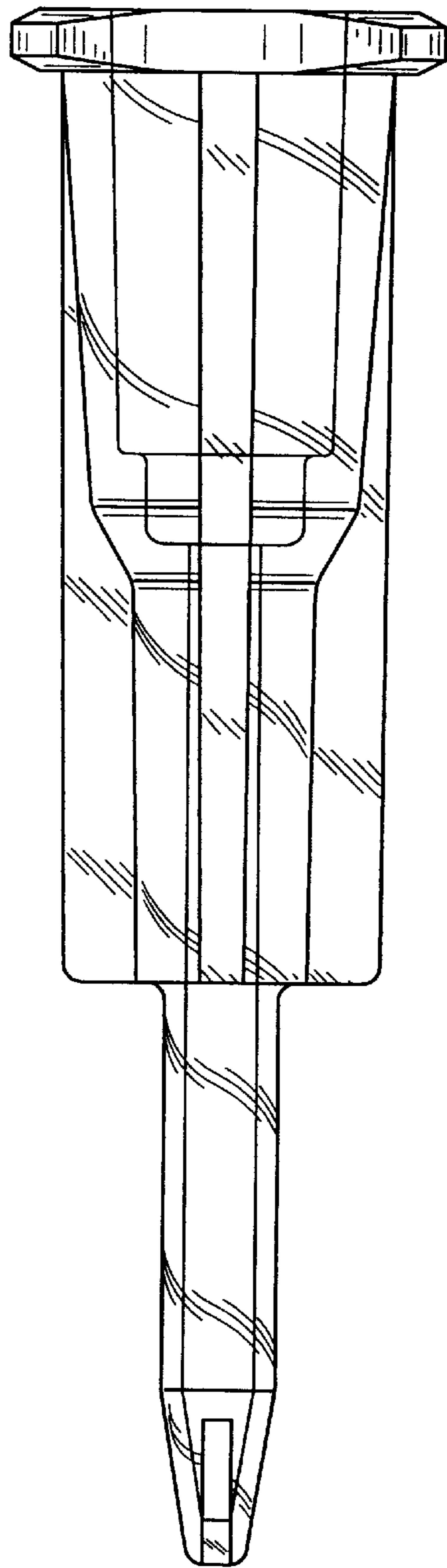


FIG-3

FIG-5

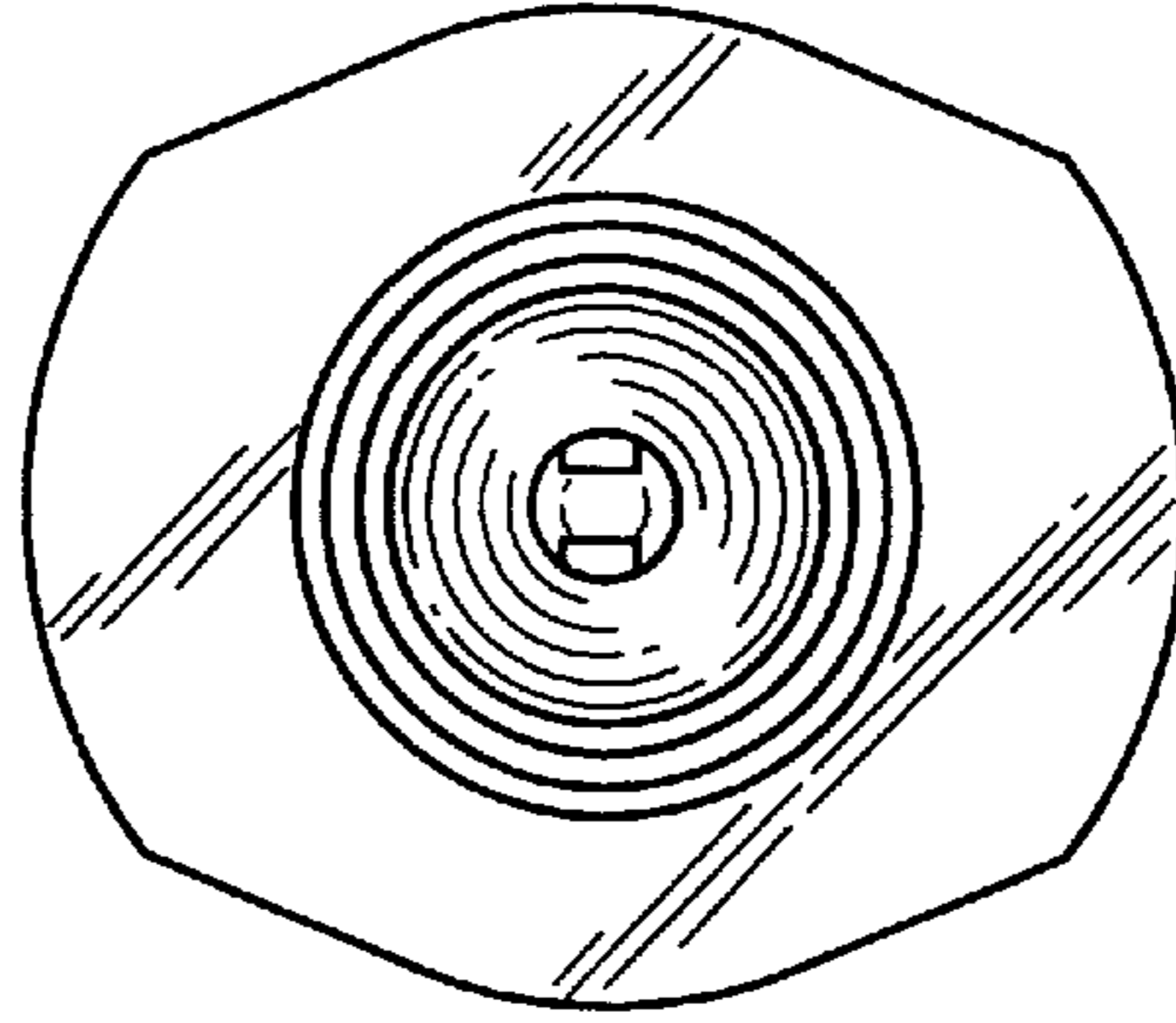


FIG-4

