



US00D405874S

United States Patent [19]

Jahnke et al.

[11] Patent Number: **Des. 405,874**

[45] Date of Patent: ****Feb. 16, 1999**

[54] SEATED SHOWER BASE

[75] Inventors: **William H. Jahnke**, Naperville;
Thomas H. Jahnke; Dale Graham,
both of St. Charles, all of Ill.

[73] Assignee: **Oasis Industries, Inc.**, Aurora, Ill.

[**] Term: **14 Years**

[21] Appl. No.: **84,860**

[22] Filed: **Mar. 12, 1998**

[51] LOC (6) Cl. **23-02**

[52] U.S. Cl. **D23/283**

[58] Field of Search D23/283, 303-311;
4/559, 564.1, 568, 571.1, 573.1, 578.1,
579, 590

[56] **References Cited**

U.S. PATENT DOCUMENTS

- D. 217,866 6/1970 Myers .
- D. 227,102 6/1973 Alexander .
- D. 254,748 4/1980 Anderson .
- D. 298,649 11/1988 Reid .
- D. 299,164 12/1988 Burgess et al. .
- D. 299,165 12/1988 Kohler, Jr. et al. .
- D. 310,710 9/1990 Poulson .
- D. 332,136 12/1992 Salach .

- D. 336,949 6/1993 Clark et al. .
- D. 337,375 7/1993 Bengtson et al. .
- D. 338,260 8/1993 Bengtson et al. .
- D. 349,945 8/1994 Cummings .
- D. 362,490 9/1995 McAllister et al. .

Primary Examiner—Louis S. Zarfes
Assistant Examiner—Eric Watterson
Attorney, Agent, or Firm—Dennison, Meserole, Pollack & Scheiner

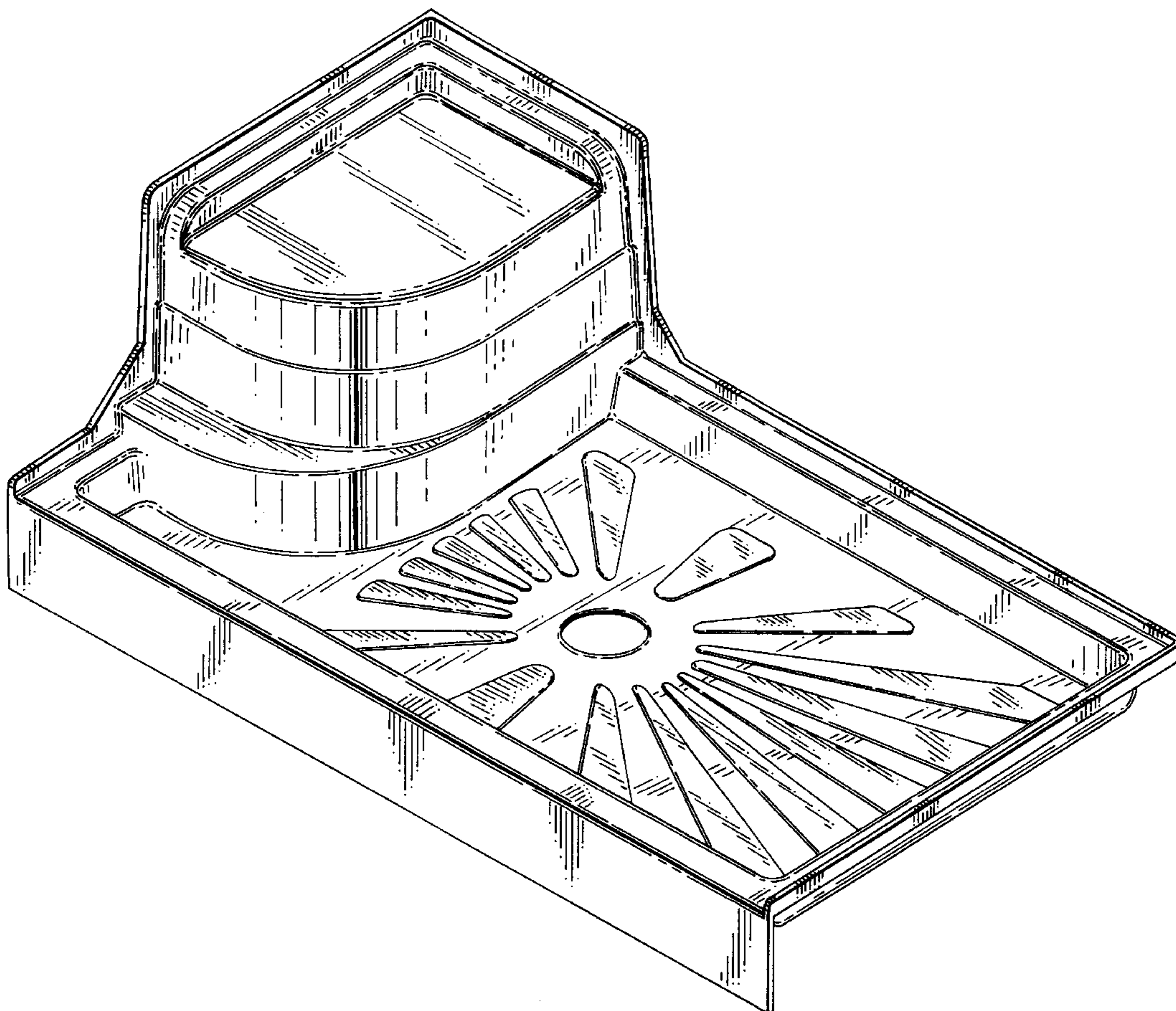
[57] **CLAIM**

The ornamental design for a seated shower base, as shown and described.

DESCRIPTION

FIG. 1 is a top, front and right side perspective view of a seated shower base showing our new design; FIG. 2 is a front elevation view thereof; FIG. 3 is a right side elevation view thereof; FIG. 4 is a top plan view thereof; and, FIG. 5 is a front, top and left side perspective view of an embodiment which is a mirror image thereof. The front elevation, left side elevation and top plan of FIG. 5 are mirror images of FIGS. 2, 3 and 4 . The rear elevation, left side elevation and bottom of FIG. 1 are without design features, are hidden in normal use, and form no part of the claimed design.

1 Claim, 5 Drawing Sheets



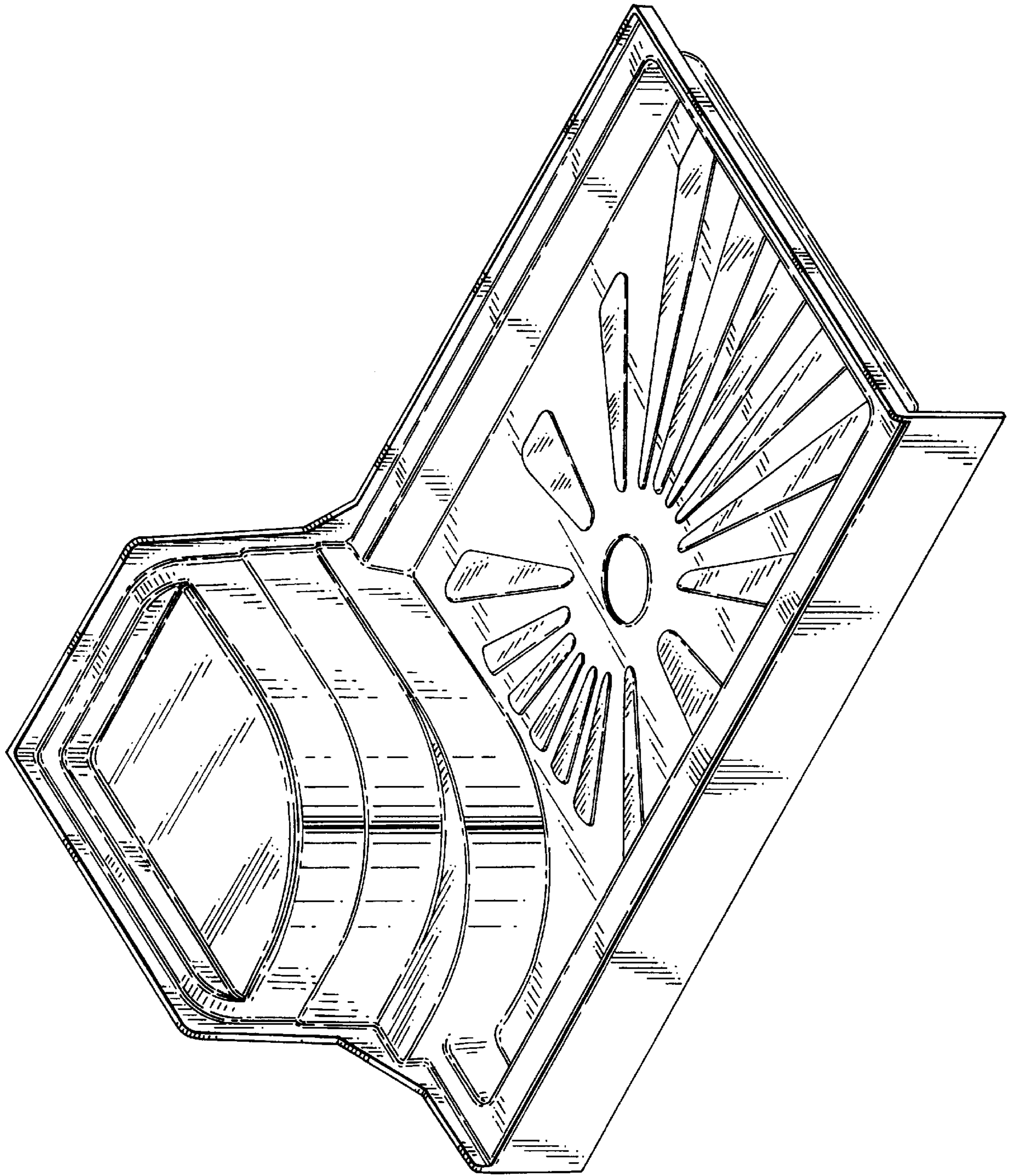
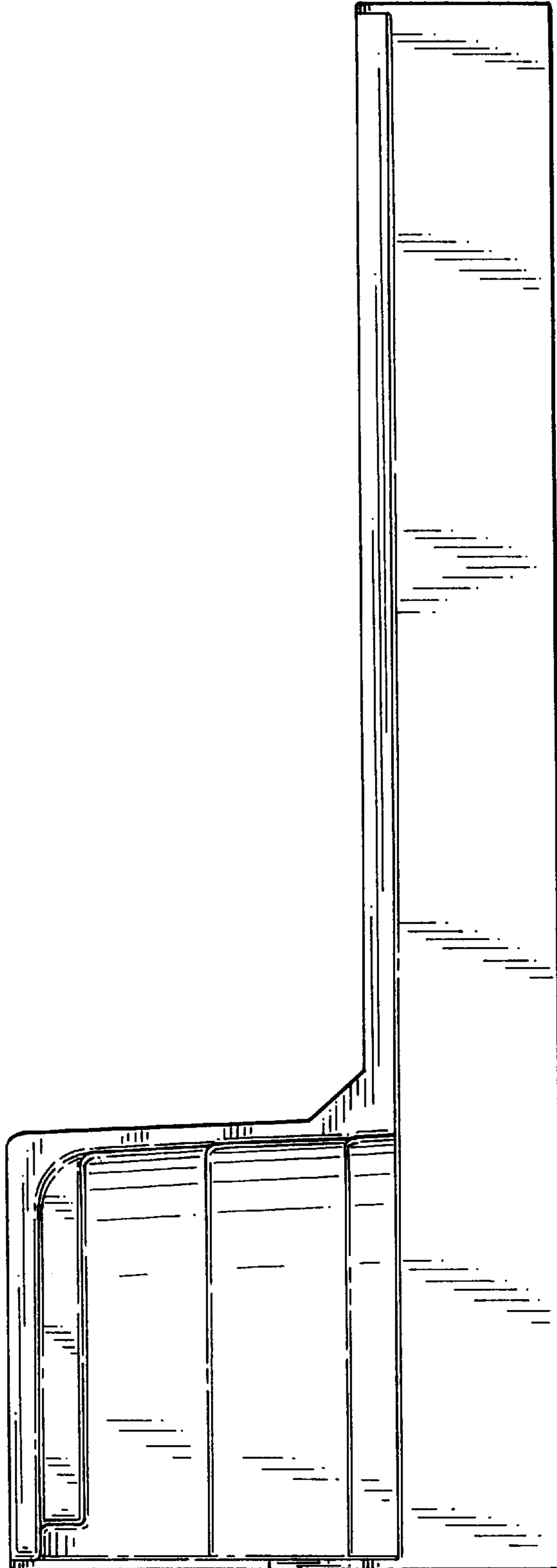


FIG. 1

FIG. 2



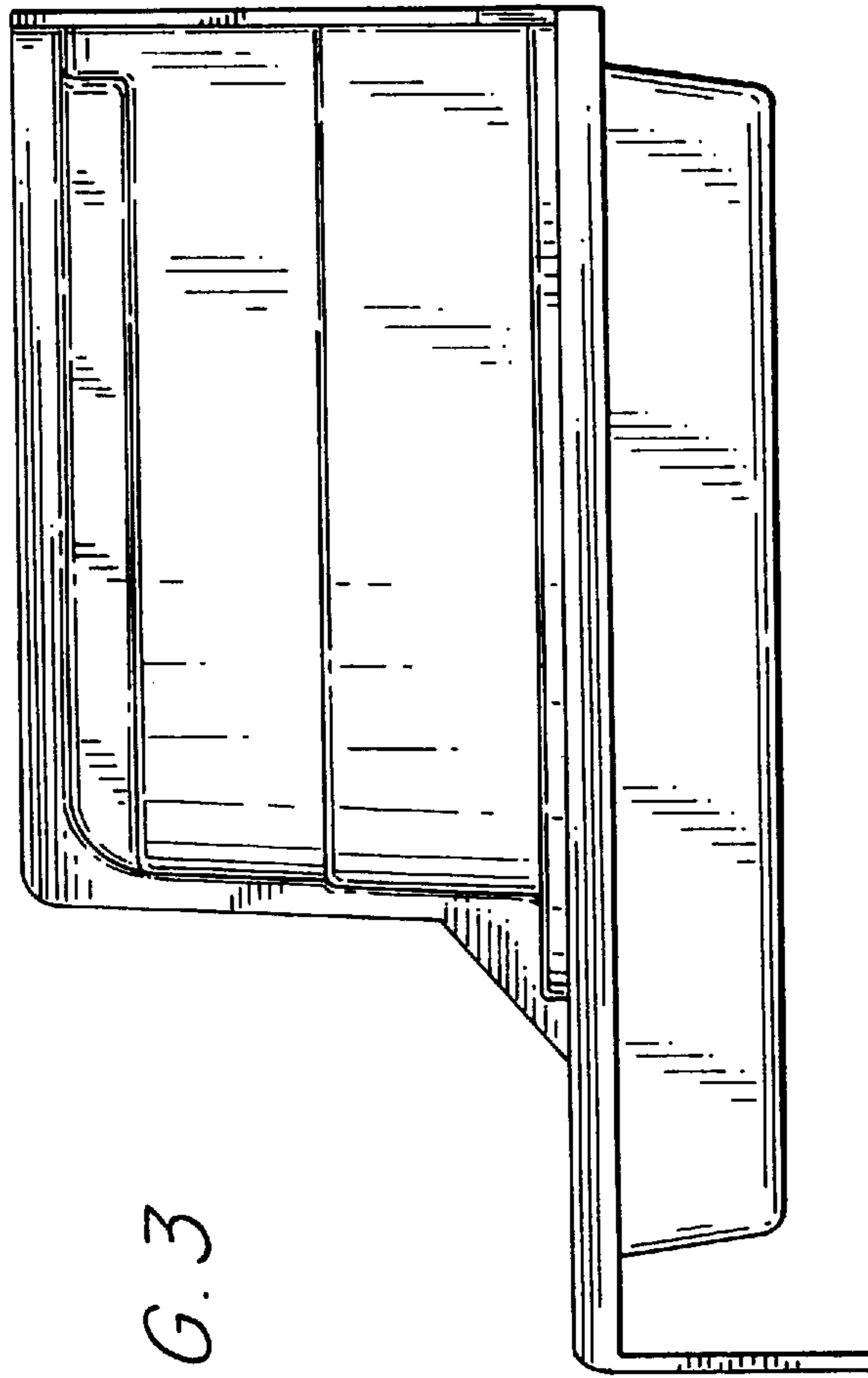
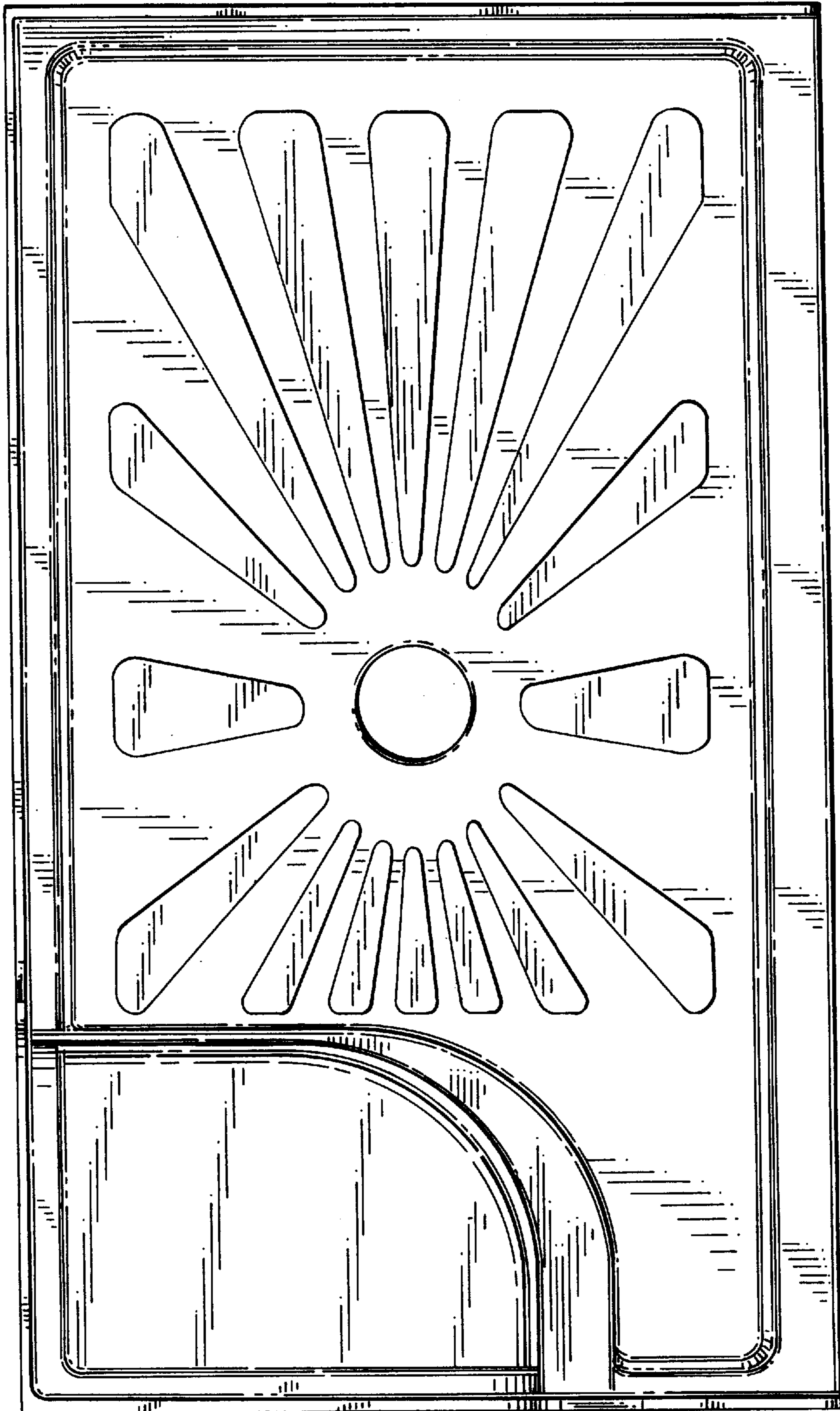


FIG. 3

FIG. 4



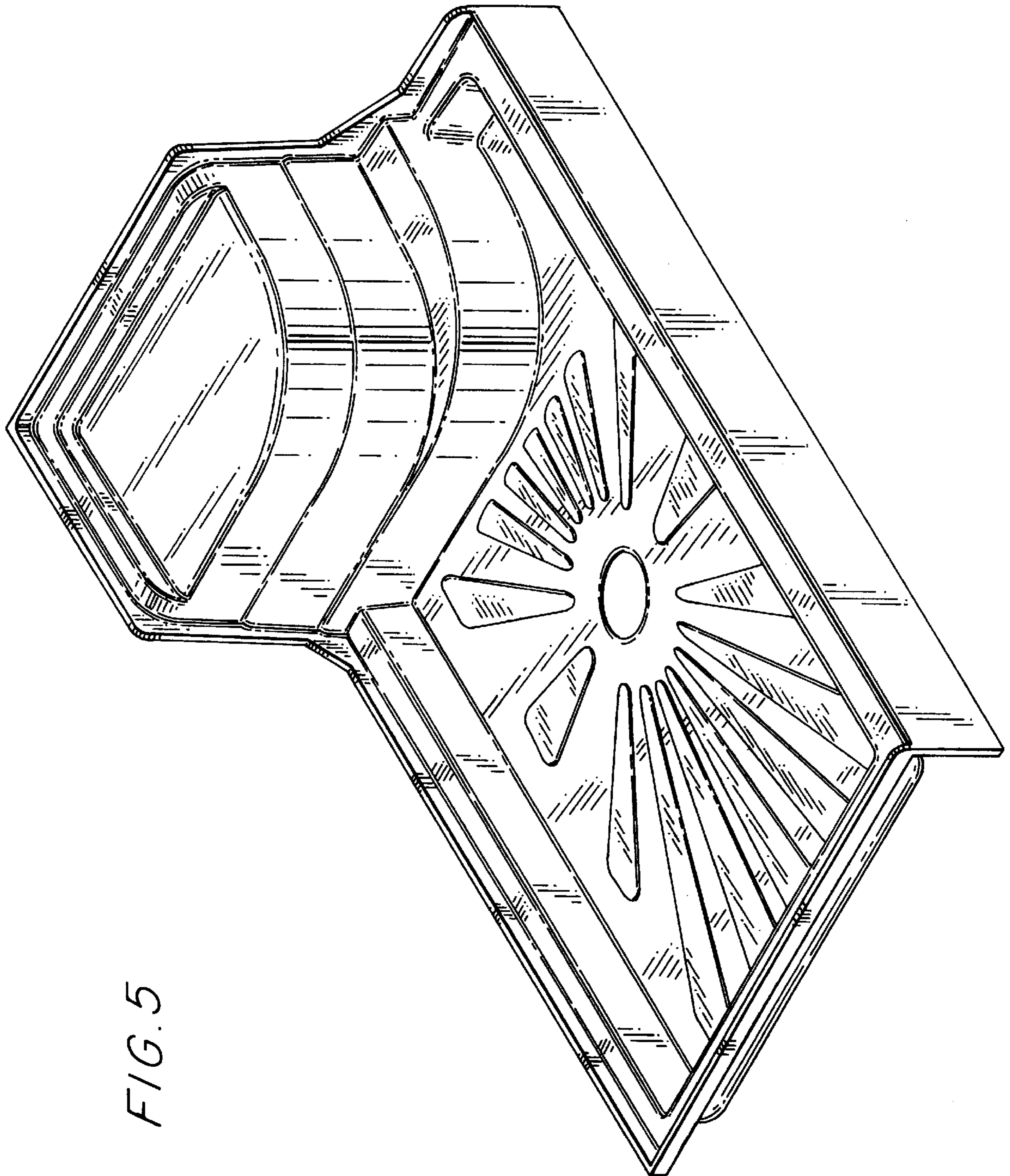


FIG. 5