

US00D405872S

United States Patent [19]

Silano et al.

[11] Patent Number: **Des. 405,872**

[45] Date of Patent: ****Feb. 16, 1999**

[54] **SQUIRREL SHIELD FOR A DRAIN PIPE**

[76] Inventors: **Maria G. Silano; Peter Silano**, both of
18 Pond View Ave., Trumbull, Conn.
06611

[**] Term: **14 Years**

[21] Appl. No.: **87,395**

[22] Filed: **May 1, 1998**

[51] **LOC (6) Cl.** **23-01**

[52] **U.S. Cl.** **D23/261**

[58] **Field of Search** D23/203, 304,
D23/254, 260, 261; 4/286-293, 680, 682

[56] **References Cited**

U.S. PATENT DOCUMENTS

- D. 372,519 8/1996 Jones D23/261
- D. 379,403 5/1997 Jones D23/261

Primary Examiner—Marcus A. Jackson
Attorney, Agent, or Firm—John R. Doherty

[57] **CLAIM**

The ornamental design for a squirrel shield for a drain pipe, as shown and described.

DESCRIPTION

FIG. 1 is a perspective view of a squirrel shield for a drain pipe showing our new design, with the broken line showing for illustrative purposes;

FIG. 2 is a top view of the squirrel shield;

FIG. 3 is a front view of the squirrel shield;

FIG. 4 is a left side view of the squirrel shield;

FIG. 5 is a right side view of the squirrel shield;

FIG. 6 is a rear view of the squirrel shield; and,

FIG. 7 is a bottom view thereof.

1 Claim, 2 Drawing Sheets

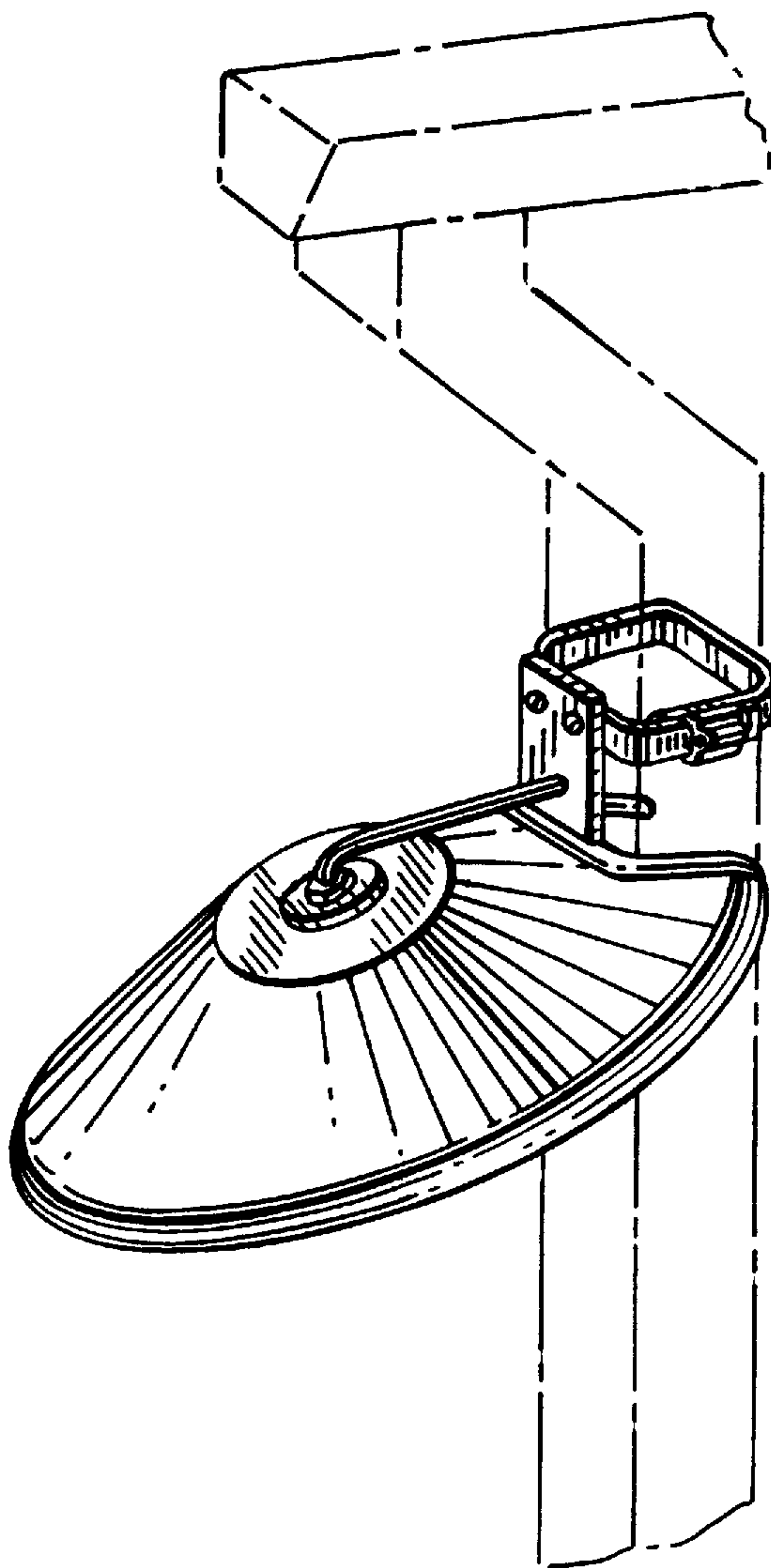


FIG. 1

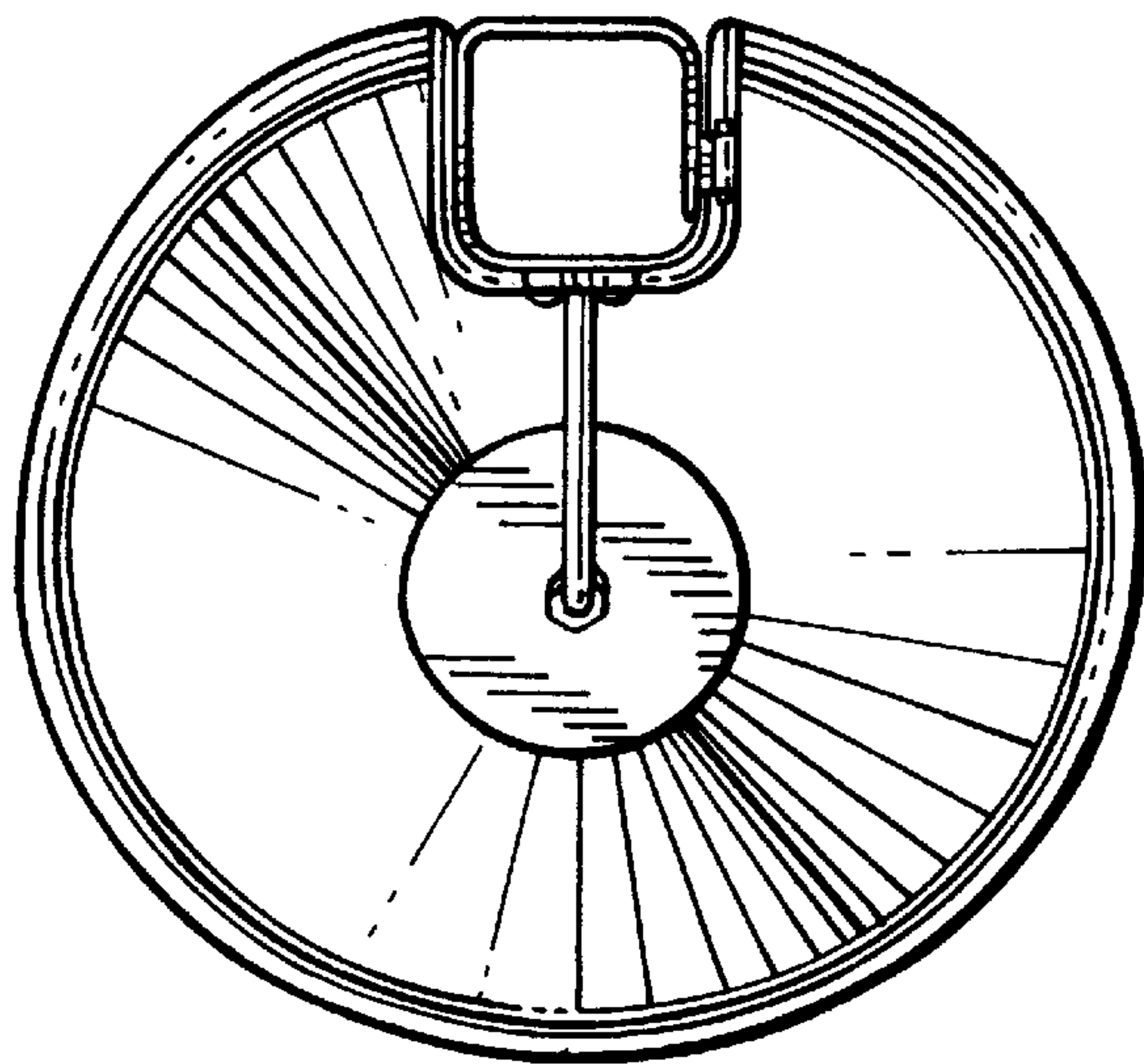
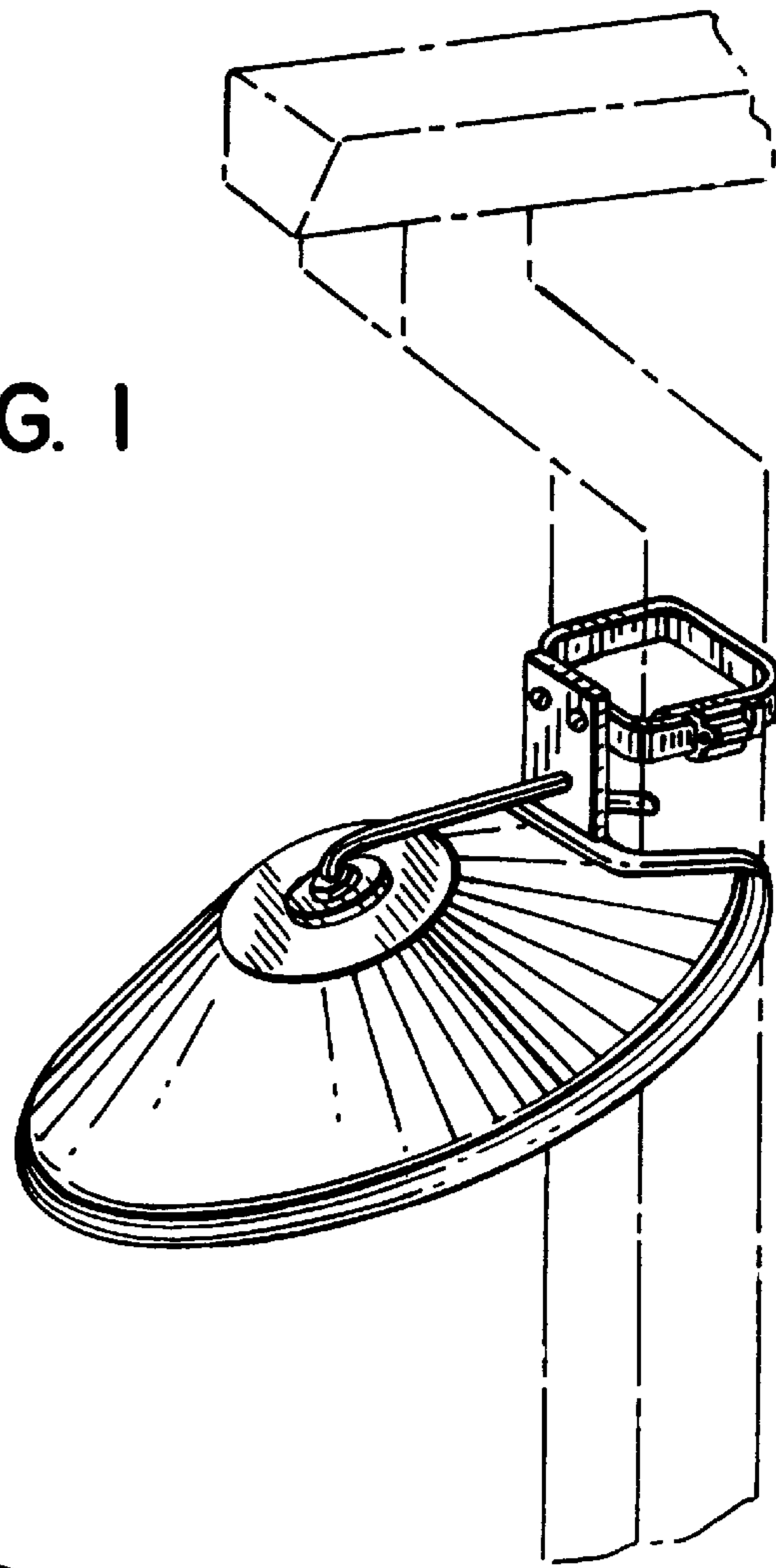
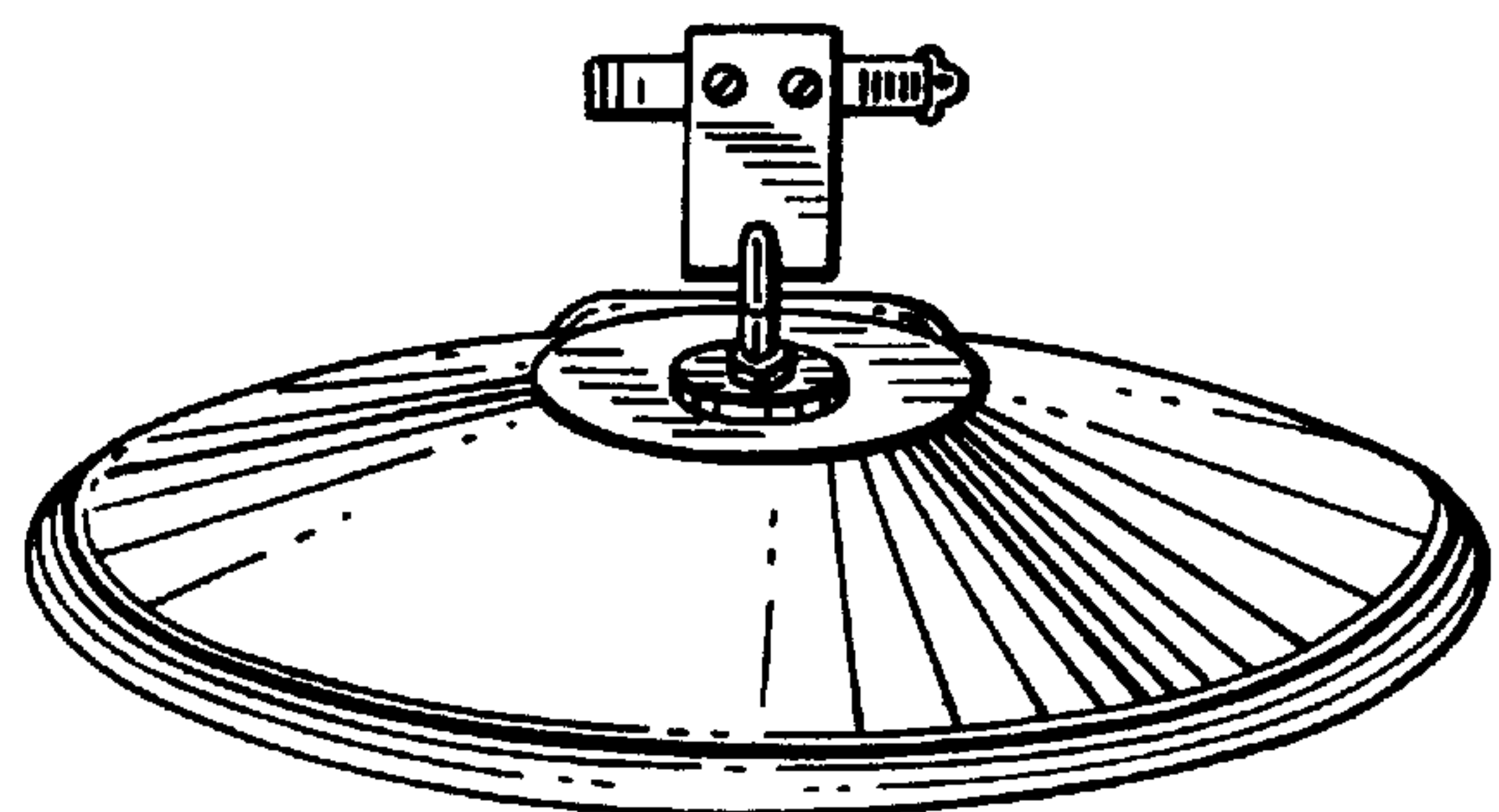


FIG. 2

FIG. 3



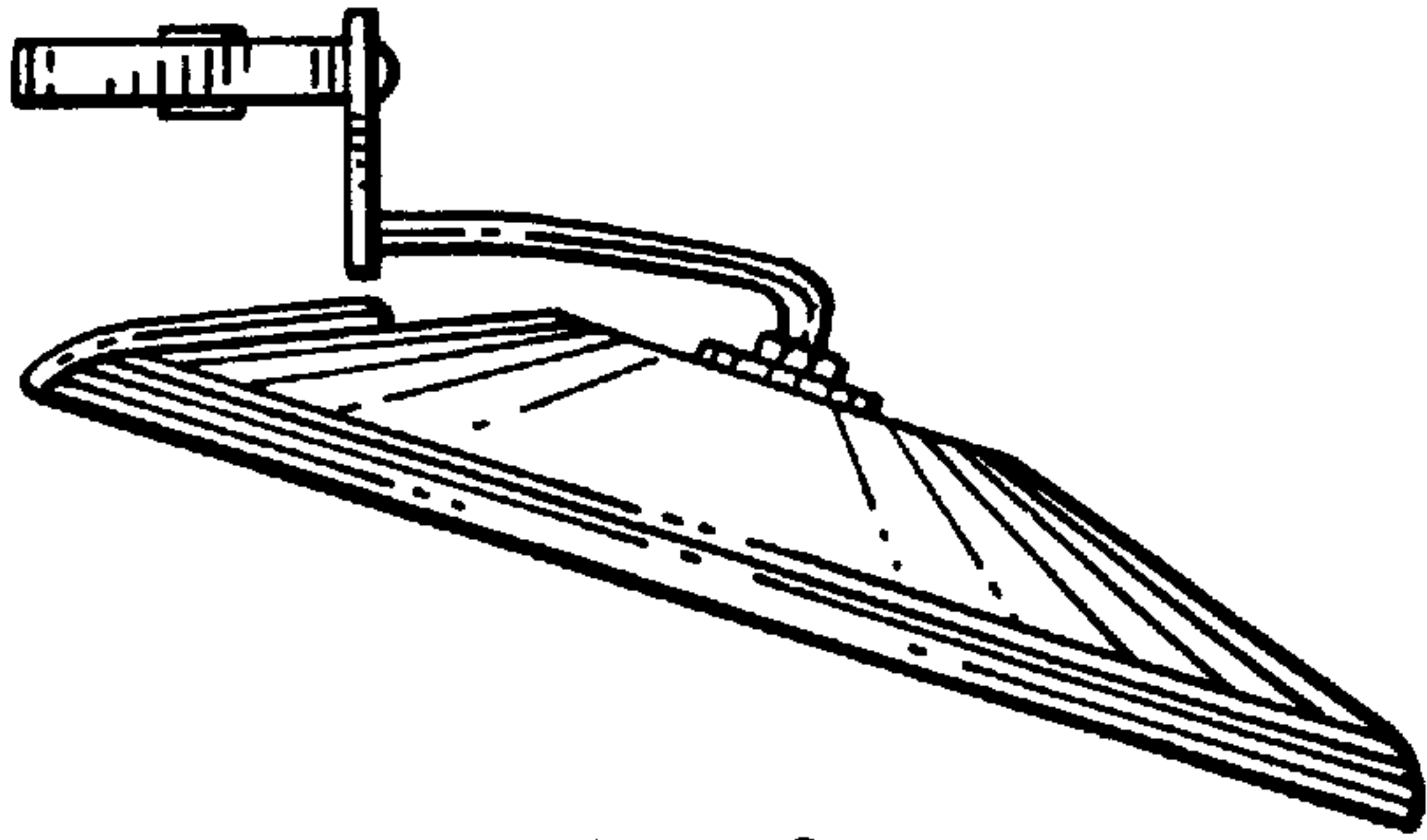


FIG. 4

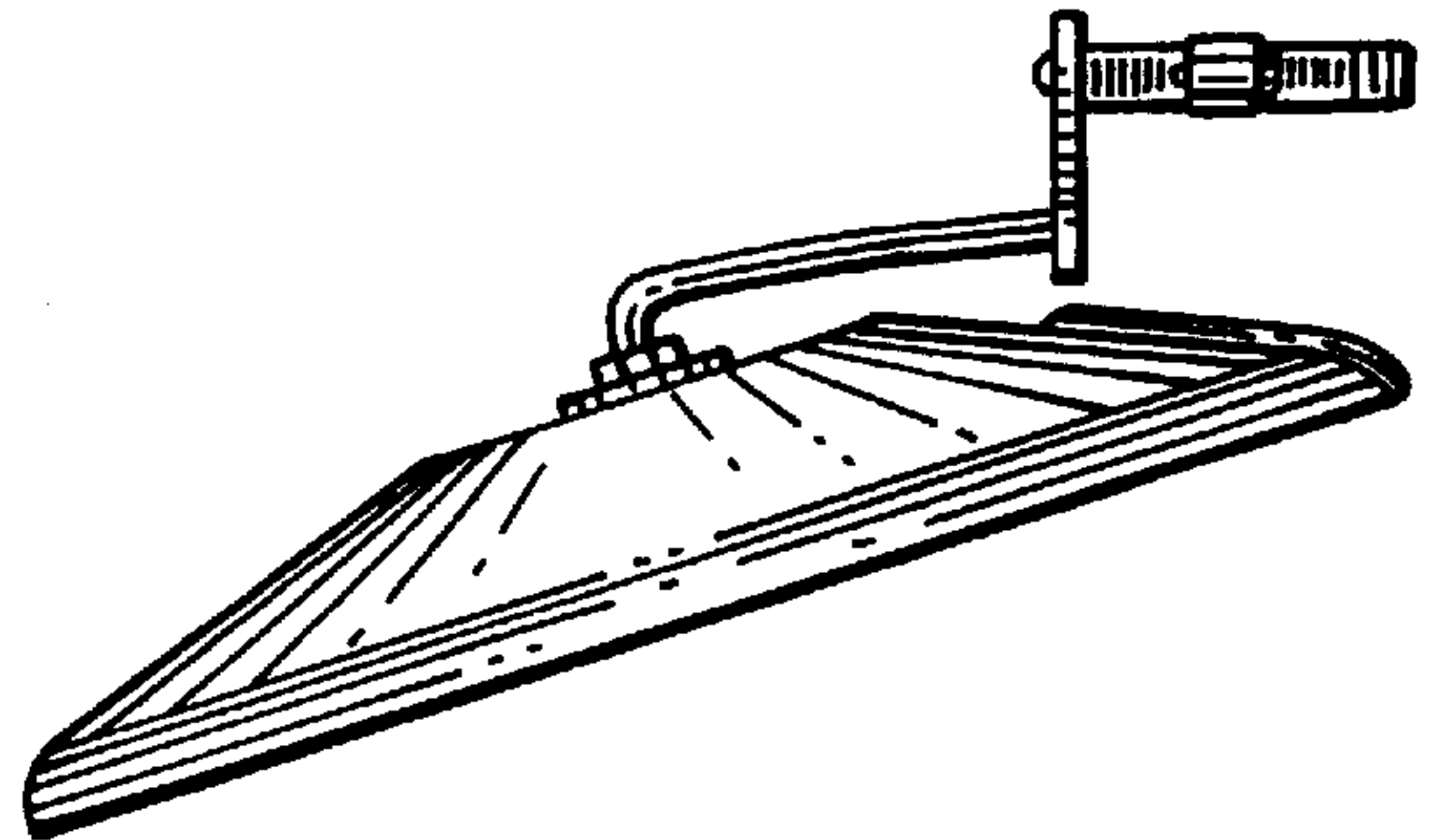


FIG. 5

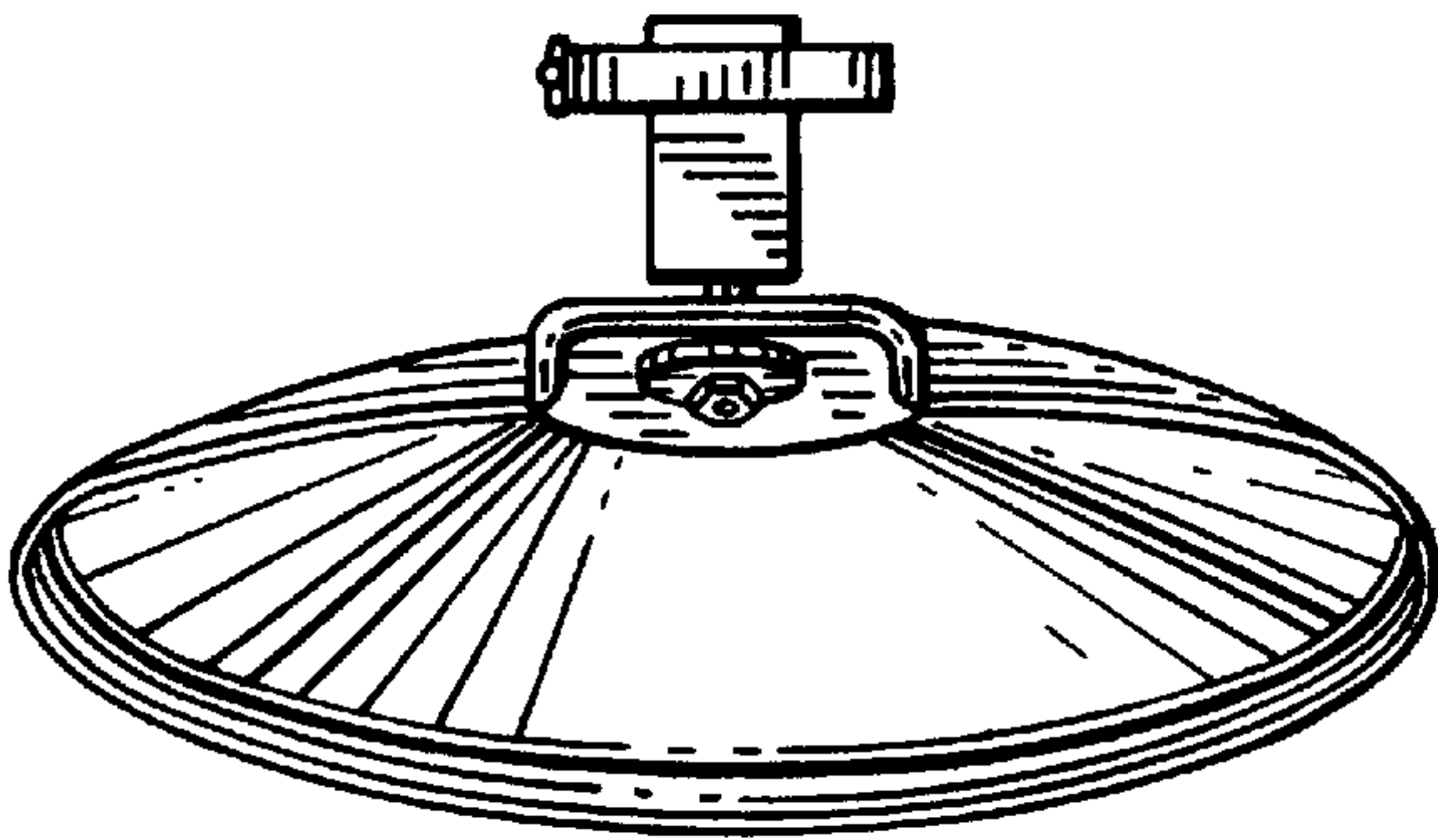


FIG. 6

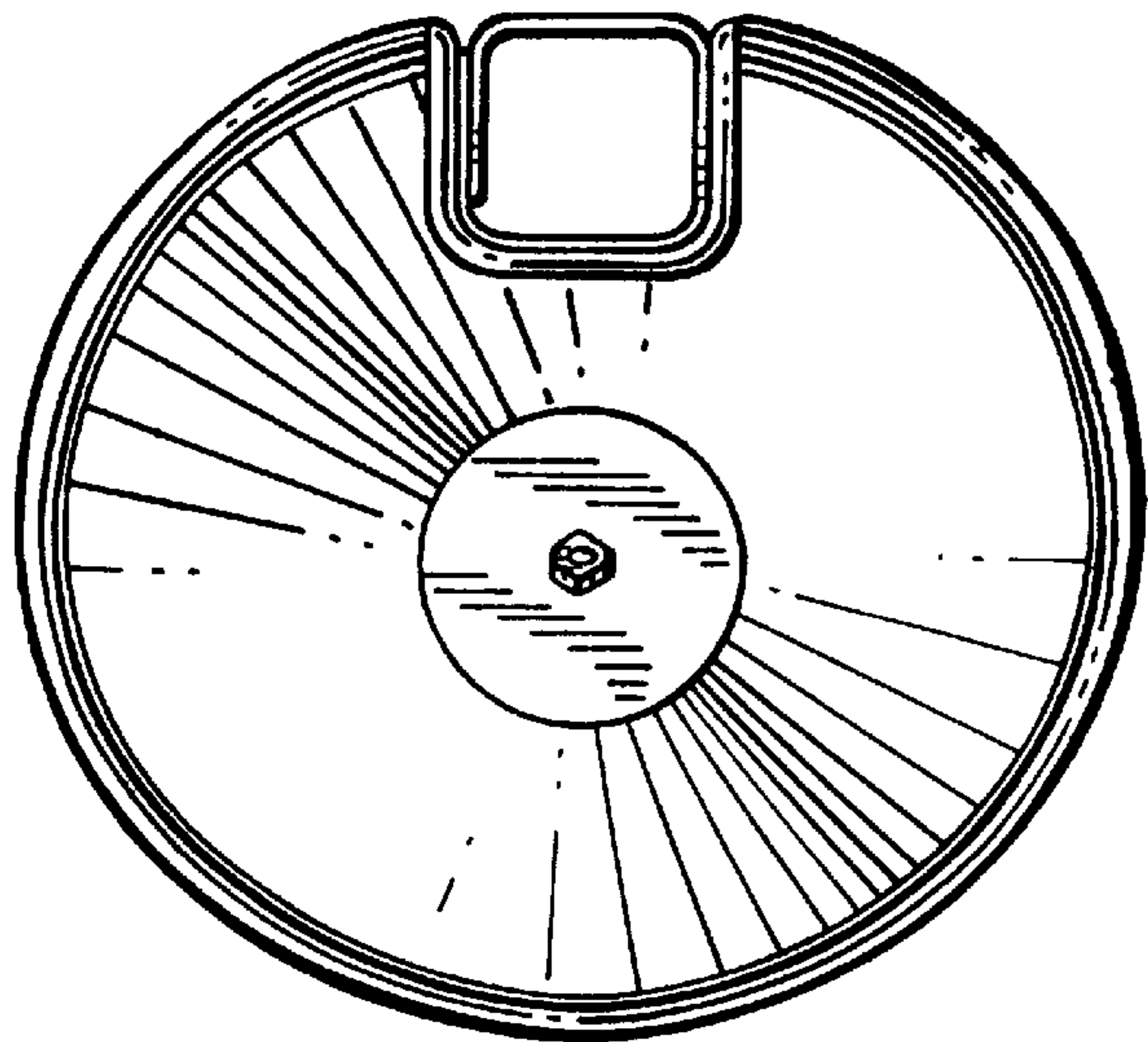


FIG. 7