



US00D405868S

United States Patent [19]

Denkewicz, Jr. et al.

[11] Patent Number: Des. 405,868

[45] Date of Patent: **Feb. 16, 1999

[54] WATER PURIFIER

[75] Inventors: **Raymond P. Denkewicz, Jr.**, Warwick, R.I.; **Roger H. Gagnon**, Framingham, Mass.; **Stephen E. Lane**, Jamestown, R.I.; **Daniel J. Nelsen**; **Aidan J. Petrie**, both of Providence, R.I.

[73] Assignee: **Fountainhead Technologies, Inc.**, Smithfield, R.I.

[**] Term: **14 Years**

[21] Appl. No.: **79,530**

[22] Filed: **Nov. 11, 1997**

[51] LOC (6) Cl. **23-01**

[52] U.S. Cl. **D23/209**

[58] Field of Search D23/200, 207, D23/209; 210/323.2, 341, 460, 497.01, 499

[56] **References Cited**

U.S. PATENT DOCUMENTS

D. 314,607	2/1991	Kapoc et al.	D23/209
D. 353,440	12/1994	Ito et al.	D23/209
3,747,765	7/1973	Nowak	210/323.2

Primary Examiner—Freda Nunn
Assistant Examiner—Robin V. Taylor
Attorney, Agent, or Firm—Dean W. Russell; Kilpatrick Stockton LLP

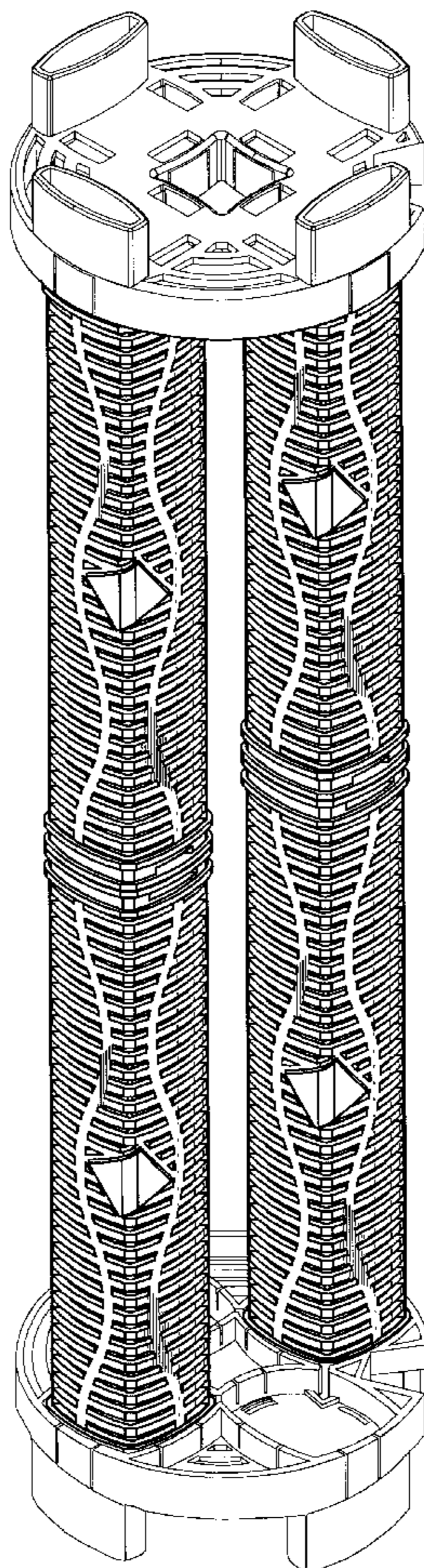
[57] **CLAIM**

The ornamental design for a water purifier, as shown and described.

DESCRIPTION

FIG. 1 is a perspective view of a water purifier showing our new design;
FIG. 2 is a top plan view of the water purifier design of FIG. 1;
FIG. 3 is a bottom plan view of the water purifier design of FIG. 1;
FIG. 4 is a front elevational view of the water purifier design of FIG. 1;
FIG. 5 is a rear elevational view of the water purifier design of FIG. 1;
FIG. 6 is a left side elevational view of the water purifier design of FIG. 1;
FIG. 7 is a right side elevational view of the water purifier design of FIG. 1; and,
FIG. 8 is a top plan view of the water purifier design of FIG. 1 taken along section line 8—8 in FIG. 4.

1 Claim, 3 Drawing Sheets



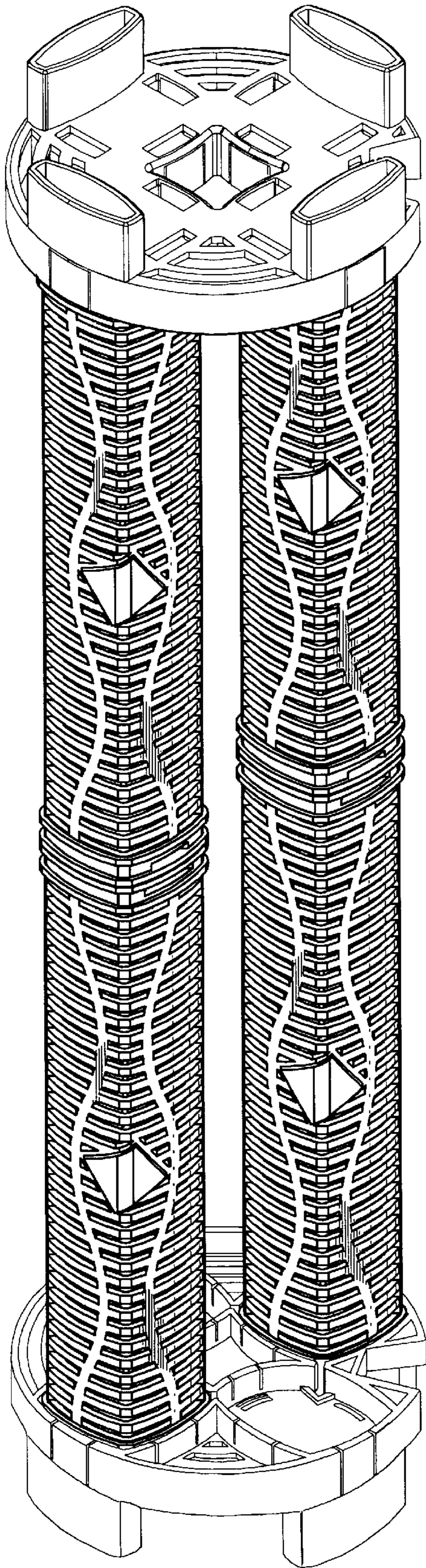


FIG. 1

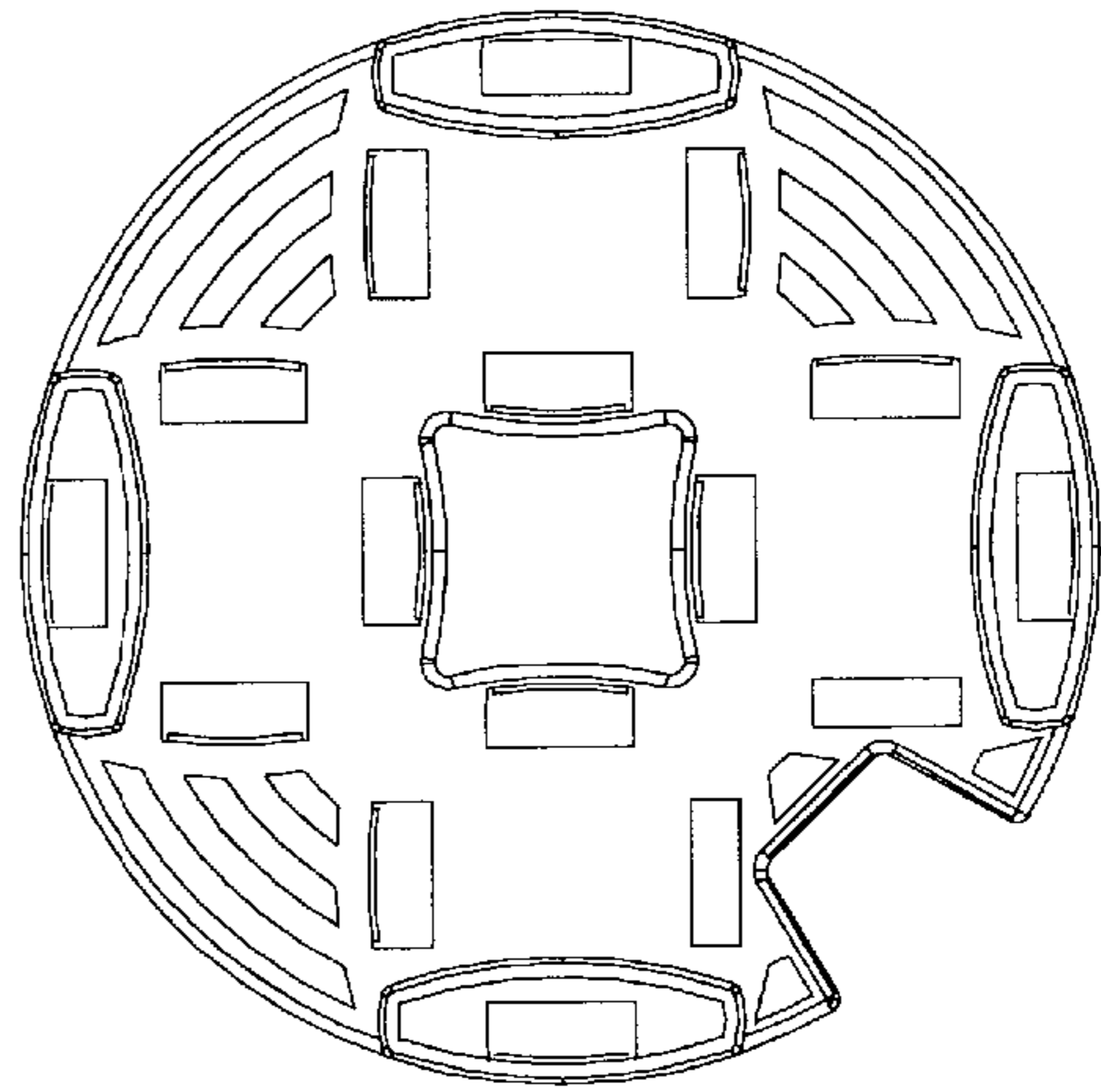


FIG. 2

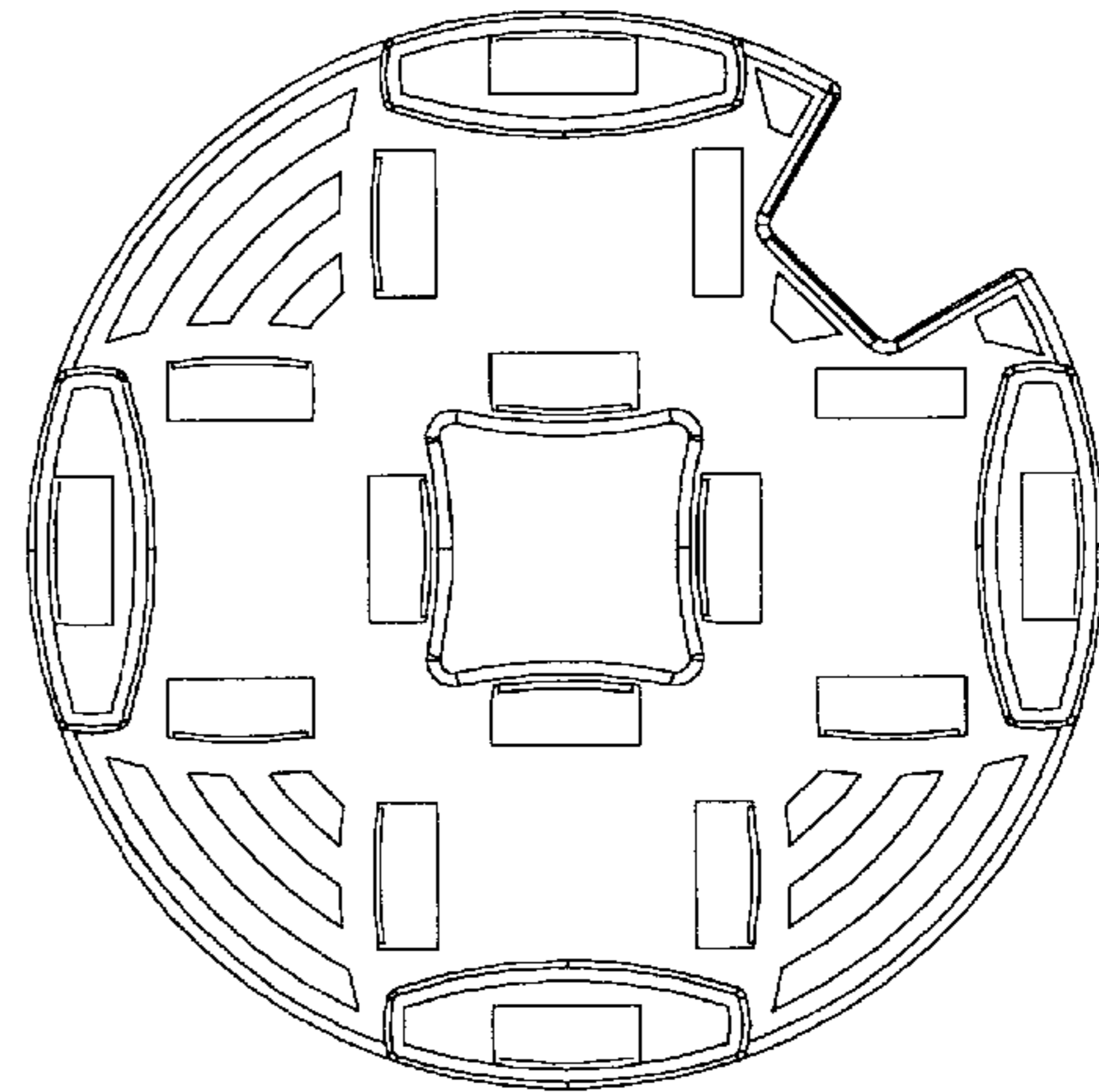


FIG. 3

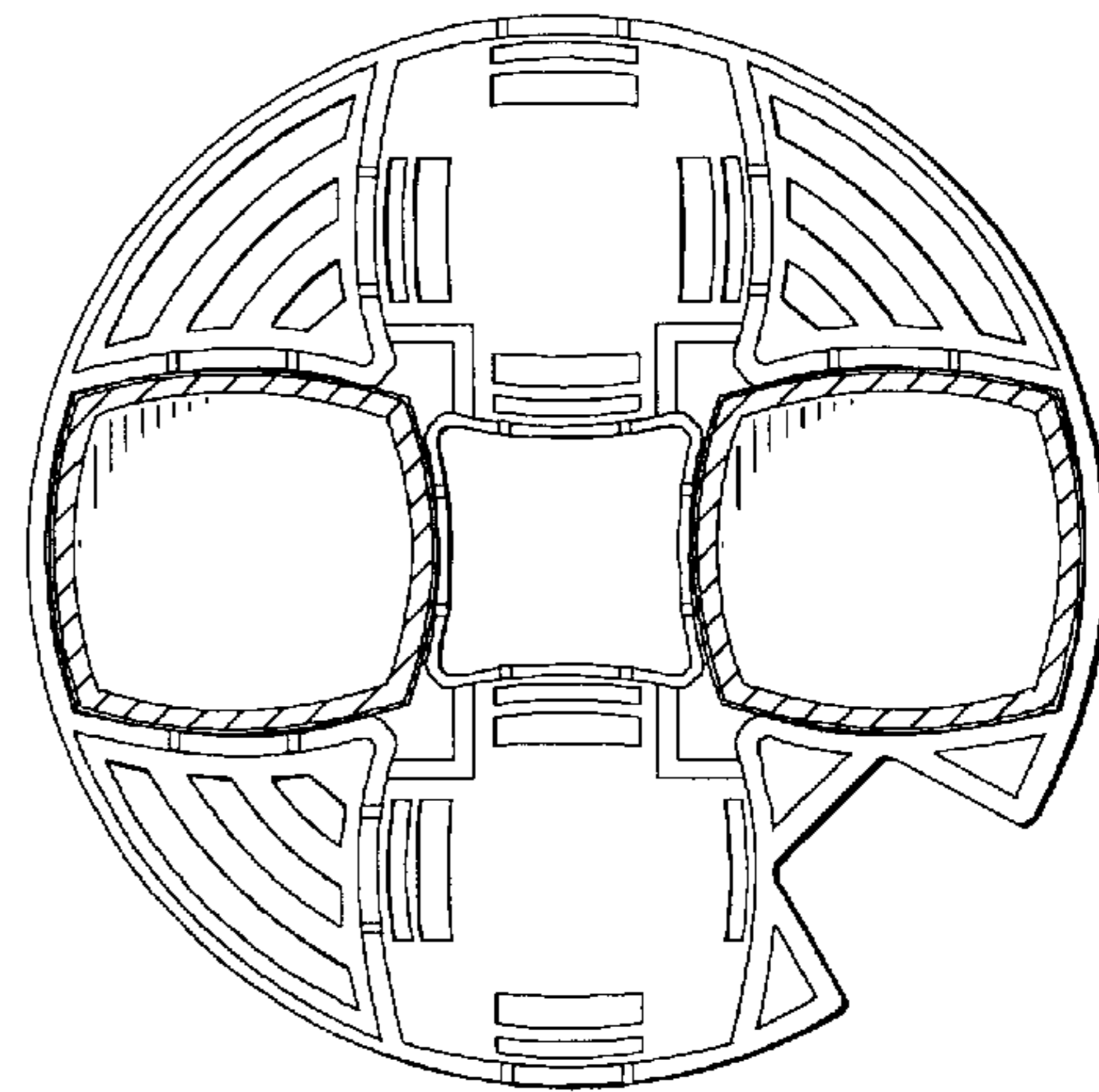


FIG. 8

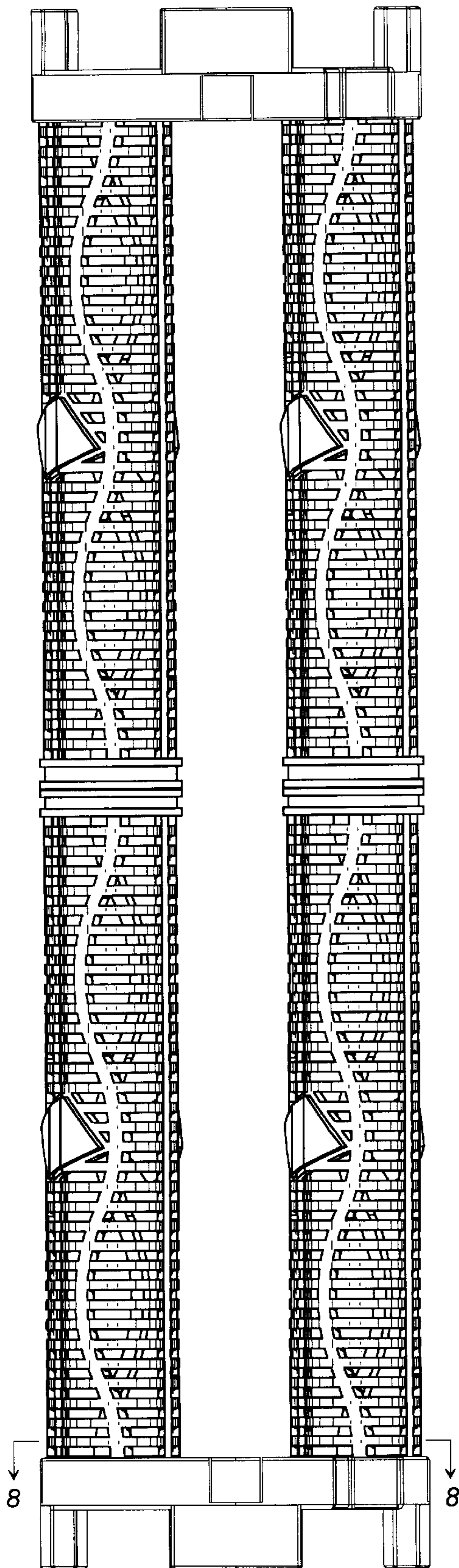


FIG. 4

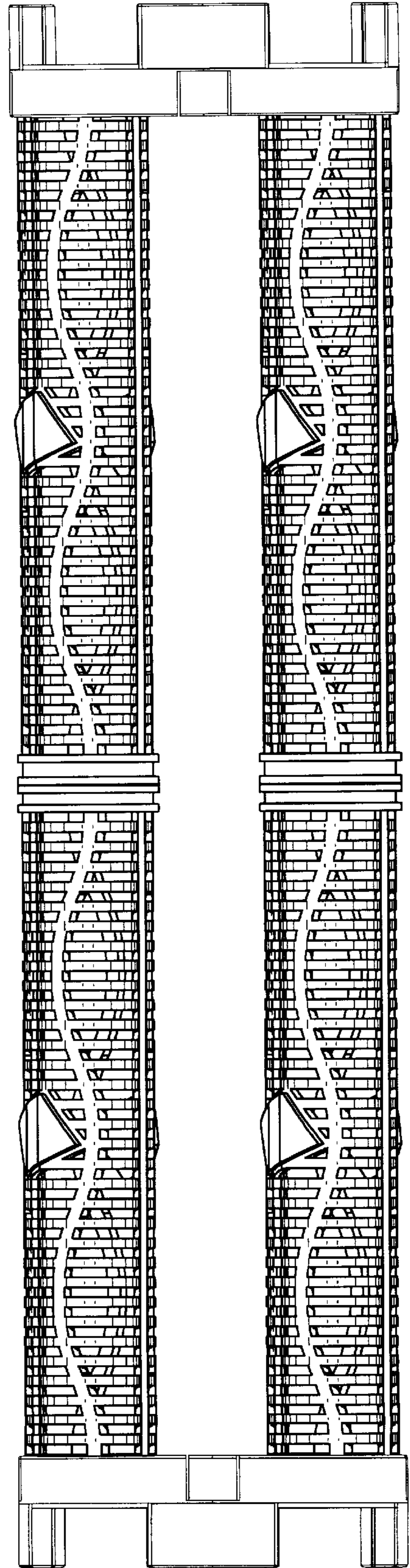


FIG. 5

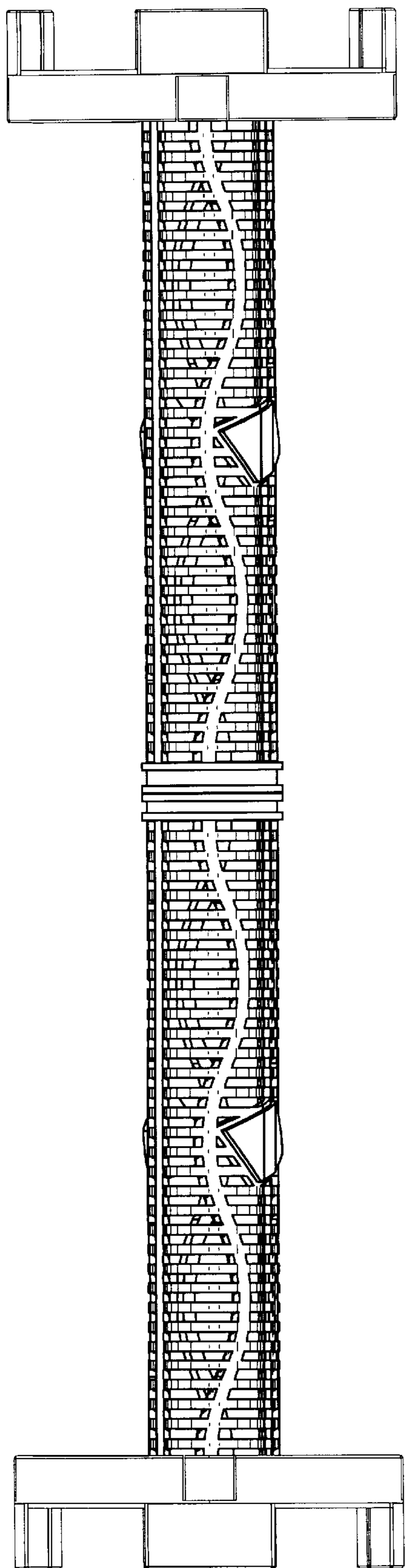


FIG. 6

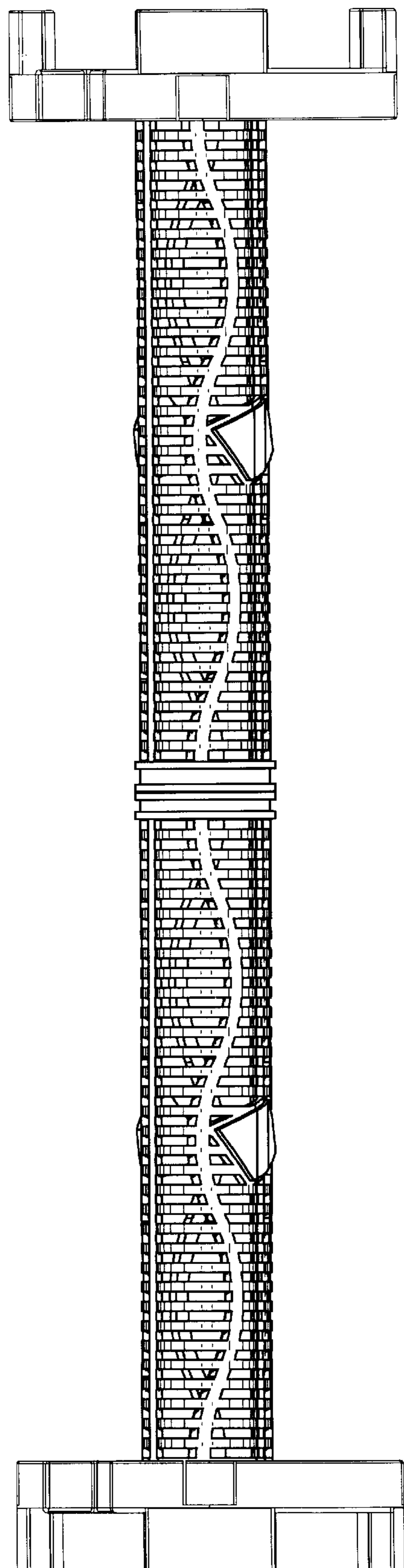


FIG. 7