



US00D405854S

United States Patent [19] Grant

[11] **Patent Number: Des. 405,854**

[45] **Date of Patent: **Feb. 16, 1999**

[54] **SIT-UP CUSHION**

[76] Inventor: **Brian A. Grant**, P.O. Box 272194,
Tampa, Fla. 33688

[**] Term: **14 Years**

[21] Appl. No.: **87,357**

[22] Filed: **Apr. 30, 1998**

D. 370,821	6/1996	Mata	D6/601
3,680,917	8/1972	Harris	297/452.41
3,995,335	12/1976	Neely	5/633
5,528,783	6/1996	Kunz et al.	5/634
5,581,831	12/1996	Xiang	5/636

Primary Examiner—Janice E. Seeger
Attorney, Agent, or Firm—David Kiewit

Related U.S. Application Data

[63] Continuation-in-part of Ser. No. 739,631, Oct. 30, 1996,
abandoned.

[51] **LOC (6) Cl.** **21-02**

[52] **U.S. Cl.** **D21/687; D6/601**

[58] **Field of Search** D6/595, 596, 601,
D6/604; 5/630, 633, 634, 636, 652-654,
656, 655.9; D21/687; 482/140

References Cited

U.S. PATENT DOCUMENTS

D. 366,966 2/1996 Bonaddio et al. D6/335

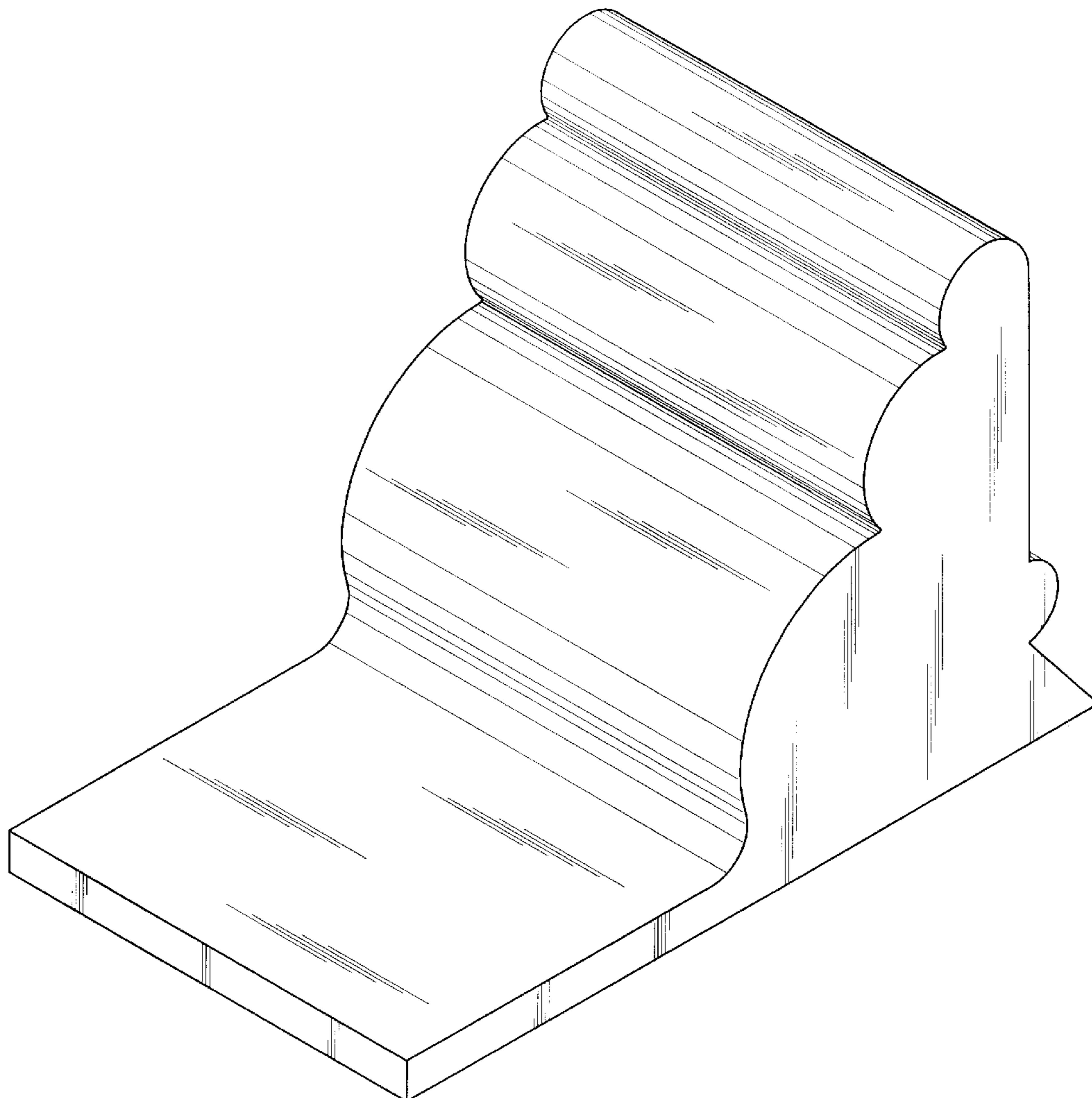
[57] CLAIM

The ornamental design for a sit-up cushion, as shown.

DESCRIPTION

FIG. 1 is a left side elevational view of a sit-up cushion showing my new design, the right side elevational view being a mirror image of the left side elevational view; FIG. 2 is top plan view of the sit-up cushion; FIG. 3 is a rear elevational view thereof; FIG. 4 is a front elevational view thereof; FIG. 5 is a bottom plan view thereof; and; FIG. 6 is a perspective view thereof.

1 Claim, 5 Drawing Sheets



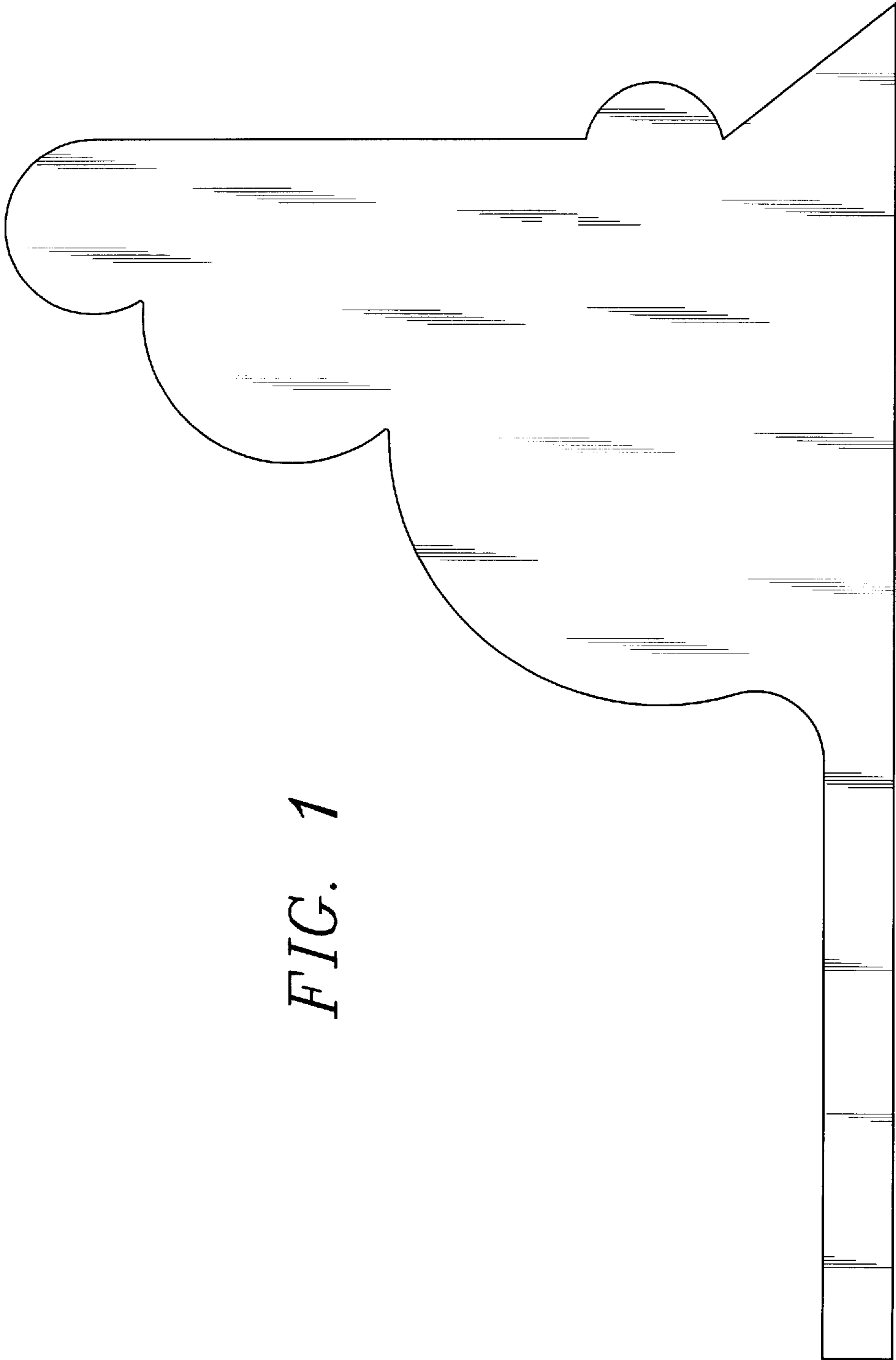


FIG. 1



FIG. 2

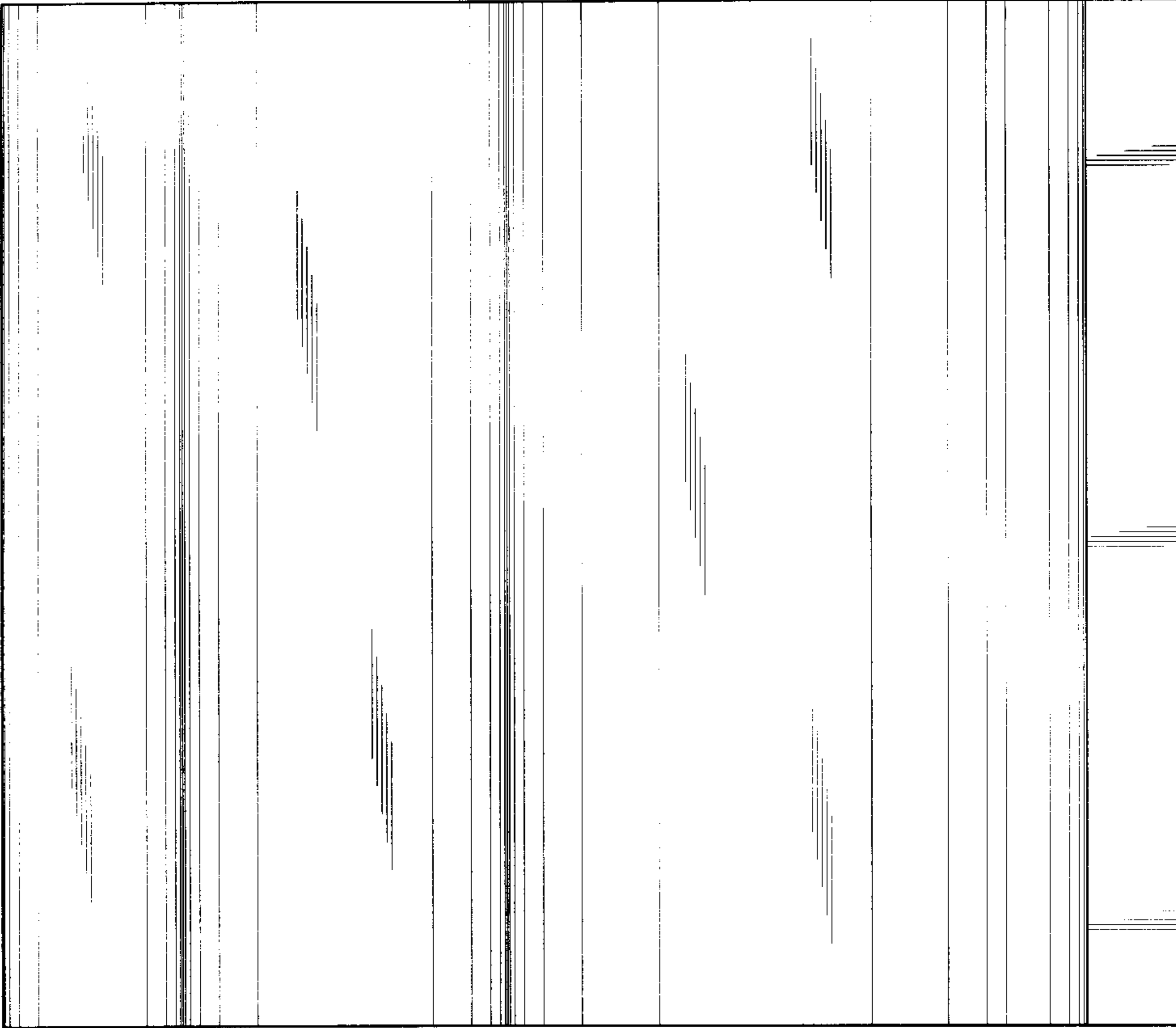


FIG. 4

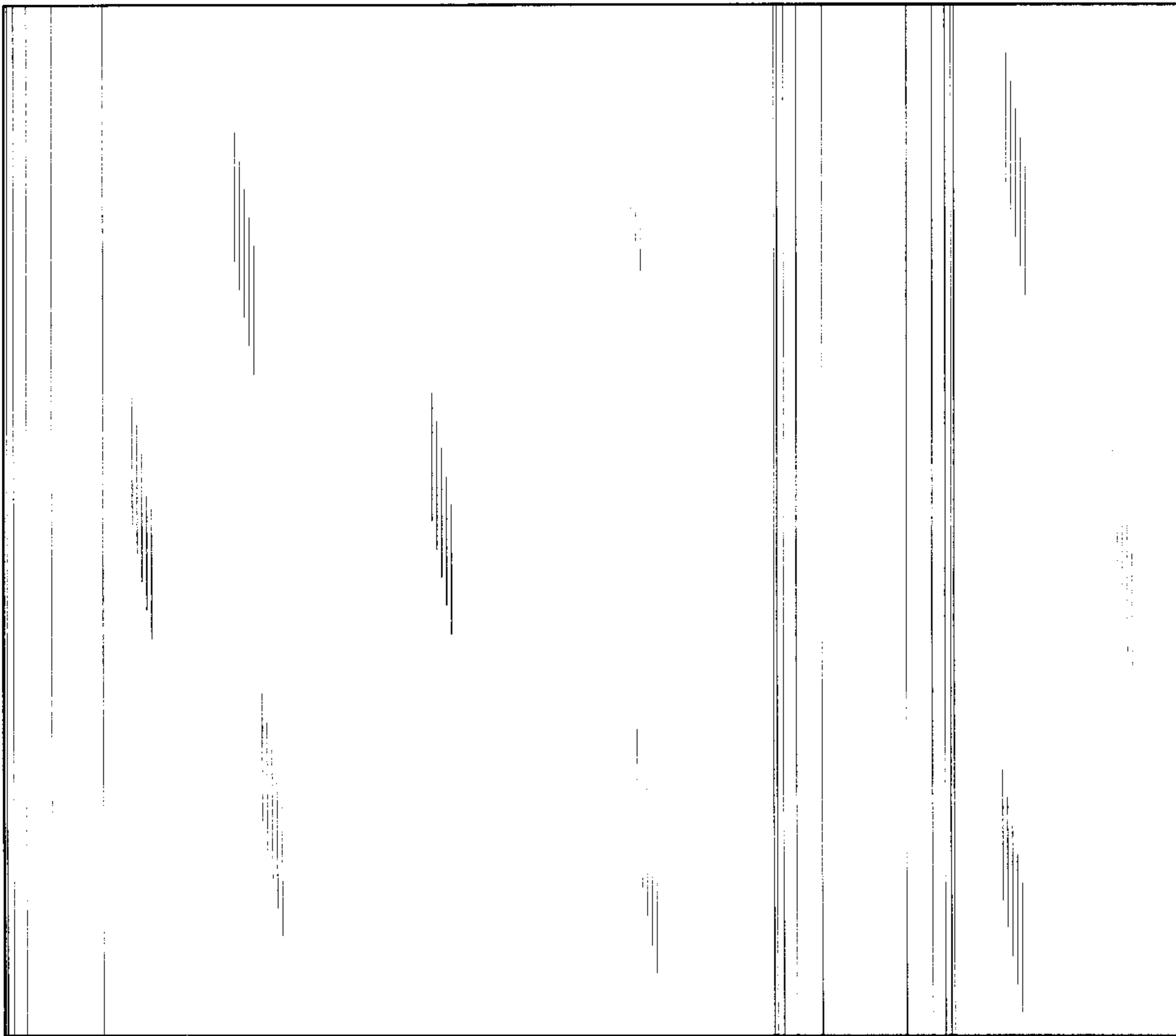


FIG. 3

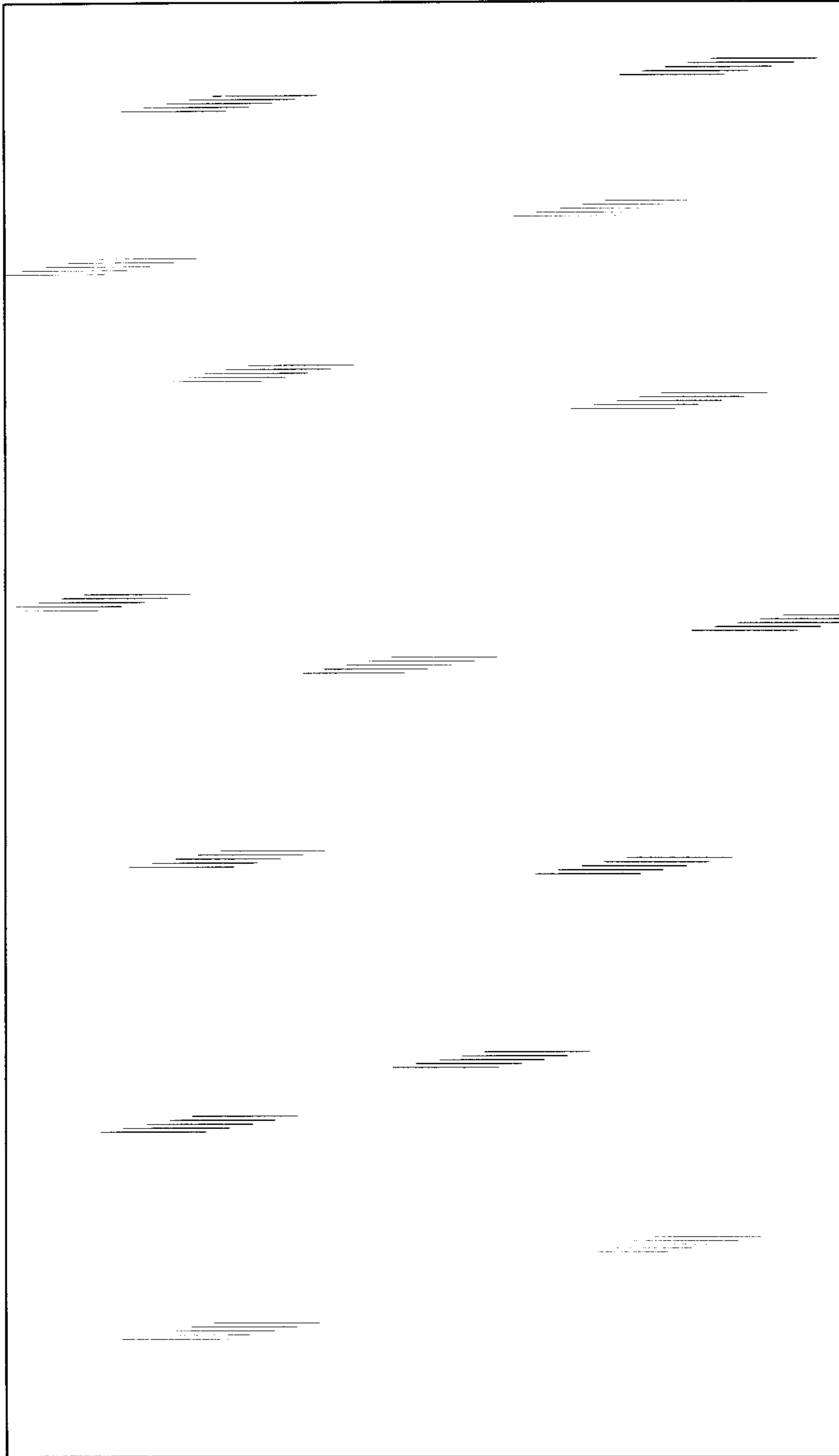


FIG. 5

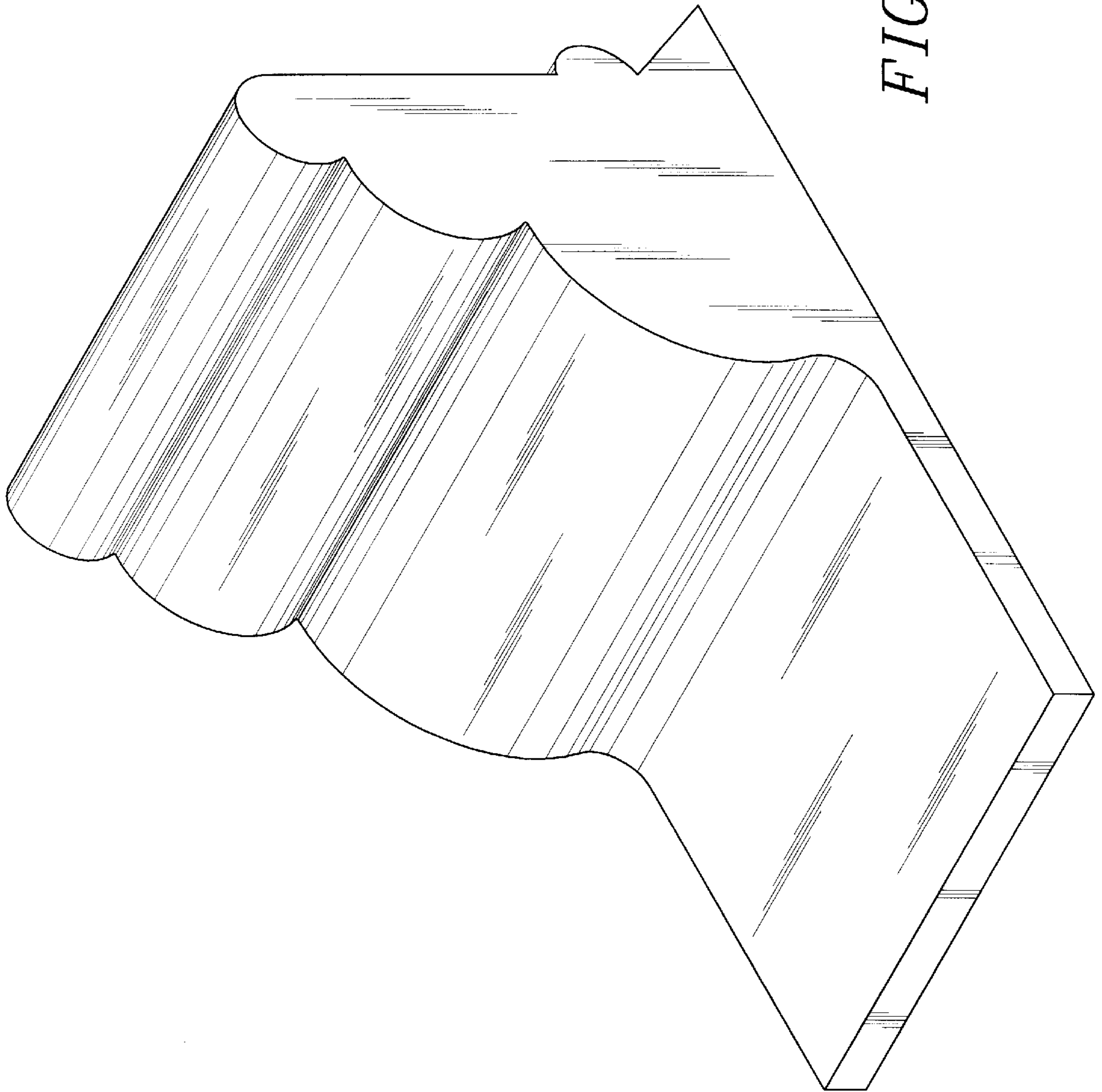


FIG. 6