



US00D405853S

United States Patent [19]
Husted

[11] **Patent Number: Des. 405,853**

[45] **Date of Patent: **Feb. 16, 1999**

[54] **WEIGHT BENCH**

[76] Inventor: **Royce H. Husted**, R.R. 4, Box 550,
Forest, Va. 24551

[**] Term: **14 Years**

[21] Appl. No.: **61,464**

[22] Filed: **Oct. 24, 1996**

D. 366,915	2/1996	Clem	D21/191
D. 366,916	2/1996	Clem	D21/191
4,072,309	2/1978	Wilson	482/130
5,310,394	5/1994	Kallios	482/93
5,429,570	7/1995	Beyer	482/104

Primary Examiner—Sandra L. Morris
Attorney, Agent, or Firm—Nicholas A. Camasto

Related U.S. Application Data

[63] Continuation-in-part of Ser. No. 54,820, May 22, 1996,
abandoned.

[51] **LOC (6) Cl.** **21-02**

[52] **U.S. Cl.** **D21/676**

[58] **Field of Search** D21/673, 675,
D21/676, 690–693; 482/93, 94, 97, 104,
112, 123, 130, 133–135, 138, 142

[56] **References Cited**

U.S. PATENT DOCUMENTS

D. 262,810 1/1982 Lynn D21/191

[57] **CLAIM**

I claim the ornamental design for a weight bench, as shown.

DESCRIPTION

FIG. 1 is a top, front and right side perspective view of a weight bench showing my new design; FIG. 2 is a right-side elevational view thereof; FIG. 3 is a front elevational view thereof; FIG. 4 is a top plan view thereof; FIG. 5 is a left-side elevational view thereof; FIG. 6 is a rear elevational view thereof; and, FIG. 7 is a bottom plan view thereof.

1 Claim, 3 Drawing Sheets

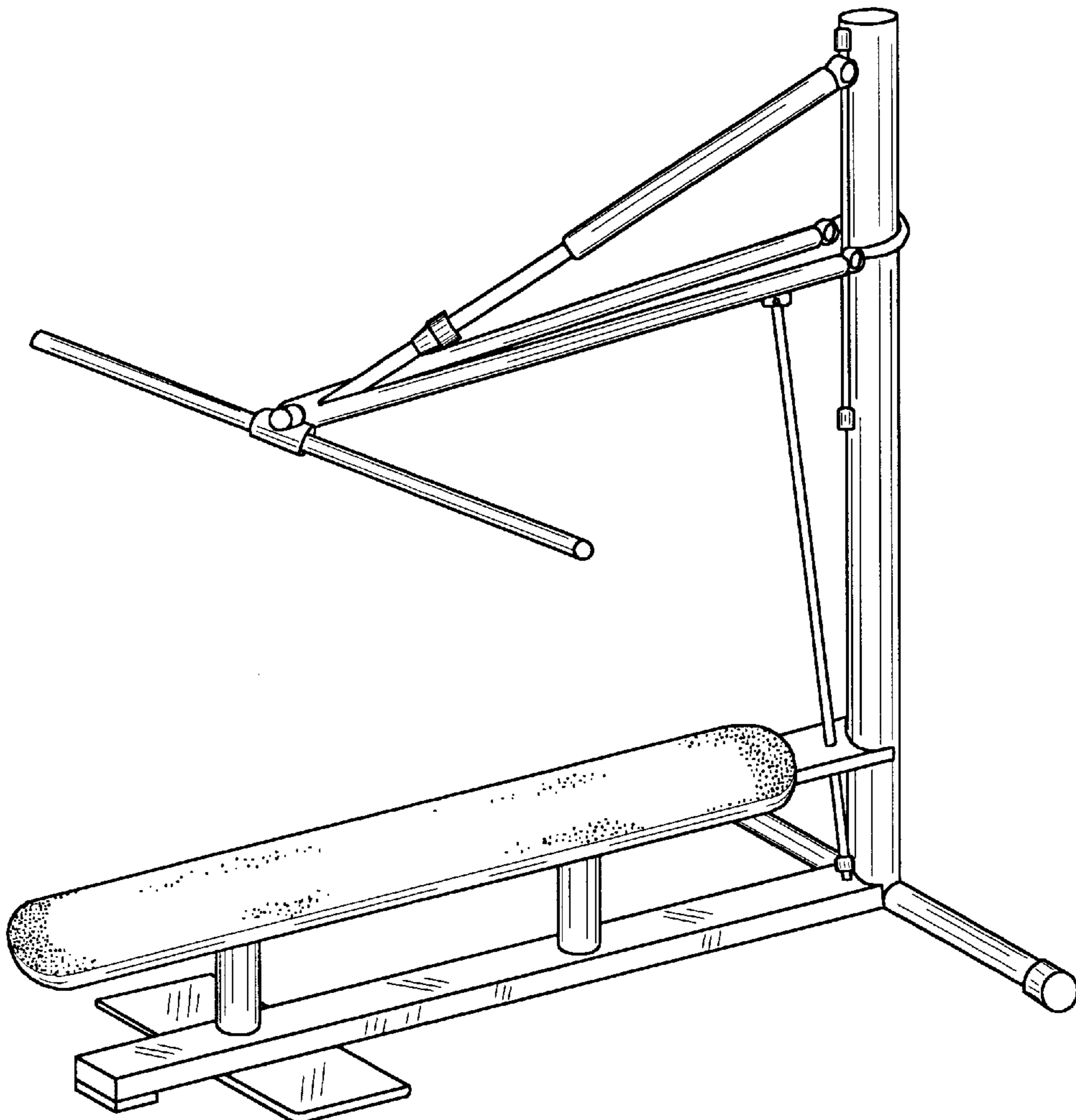
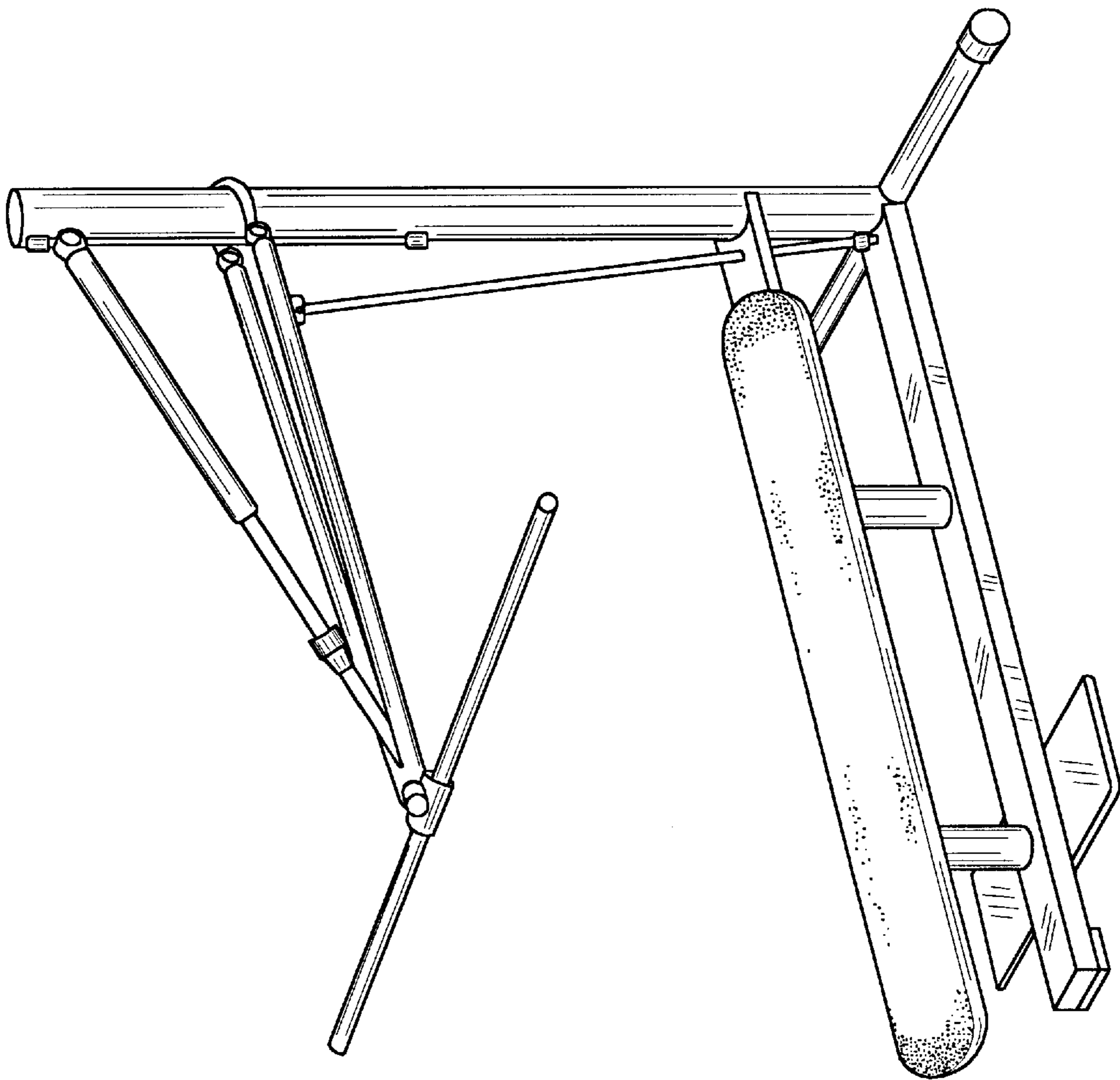


FIG. 1



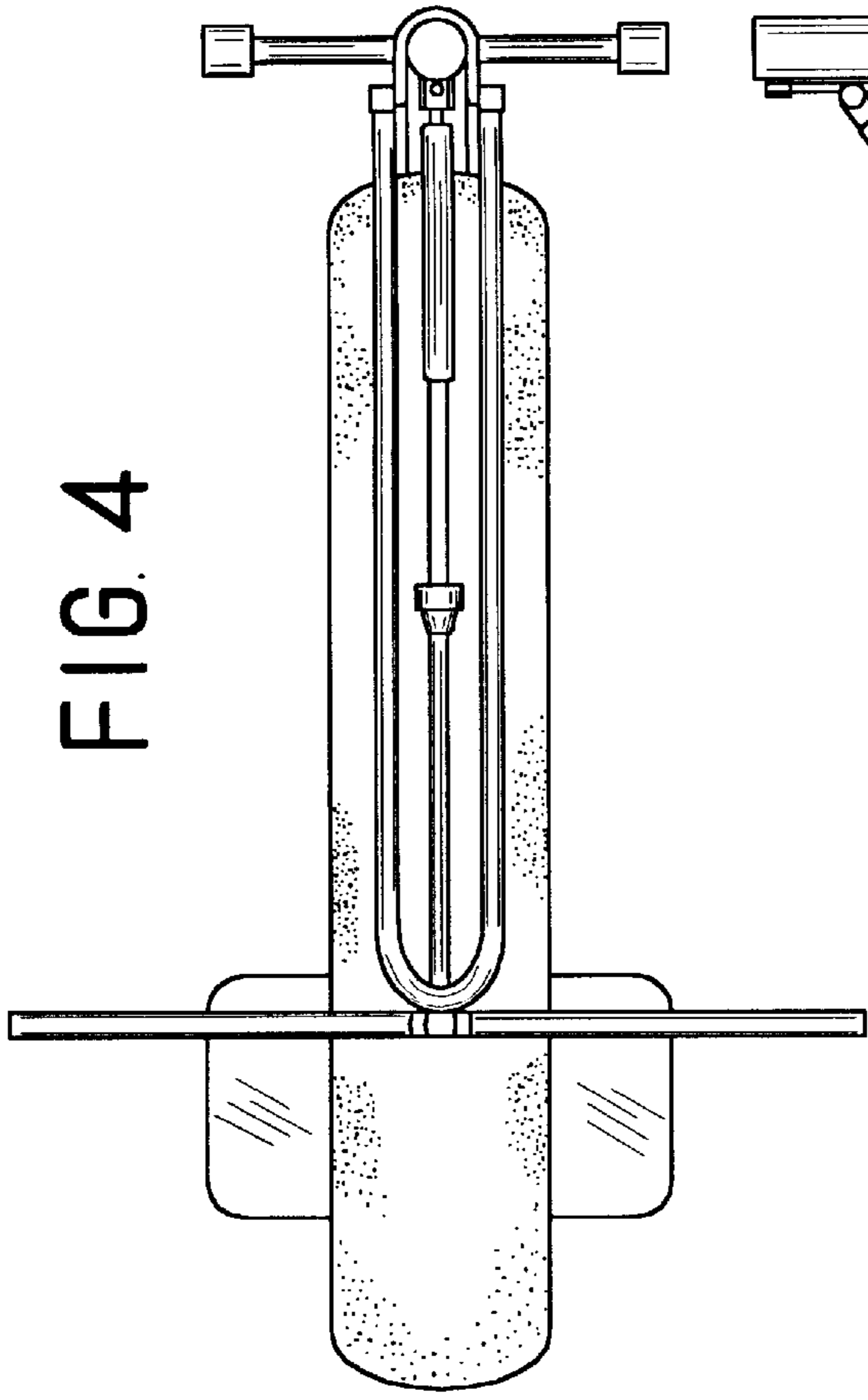


FIG. 4

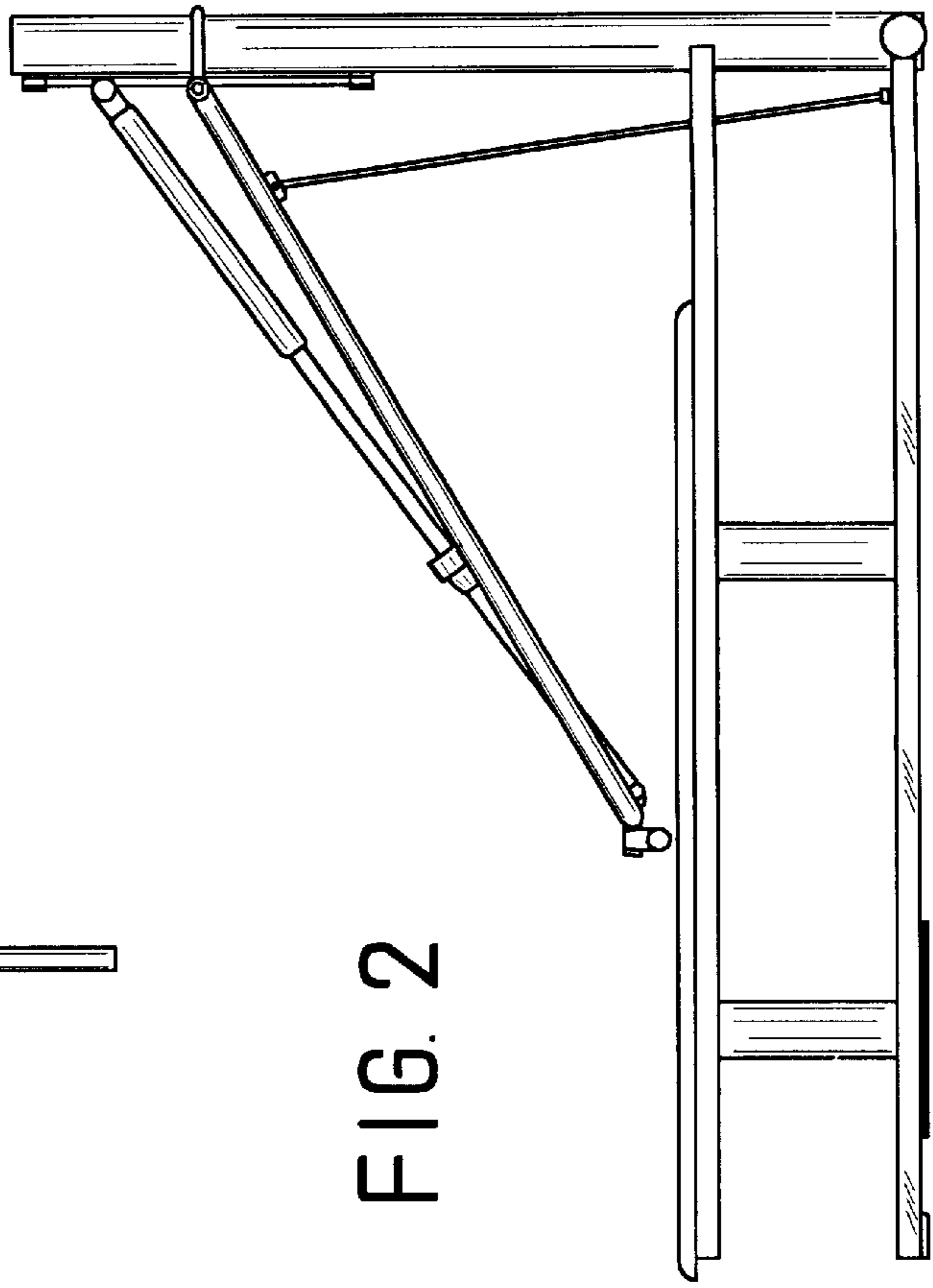


FIG. 2

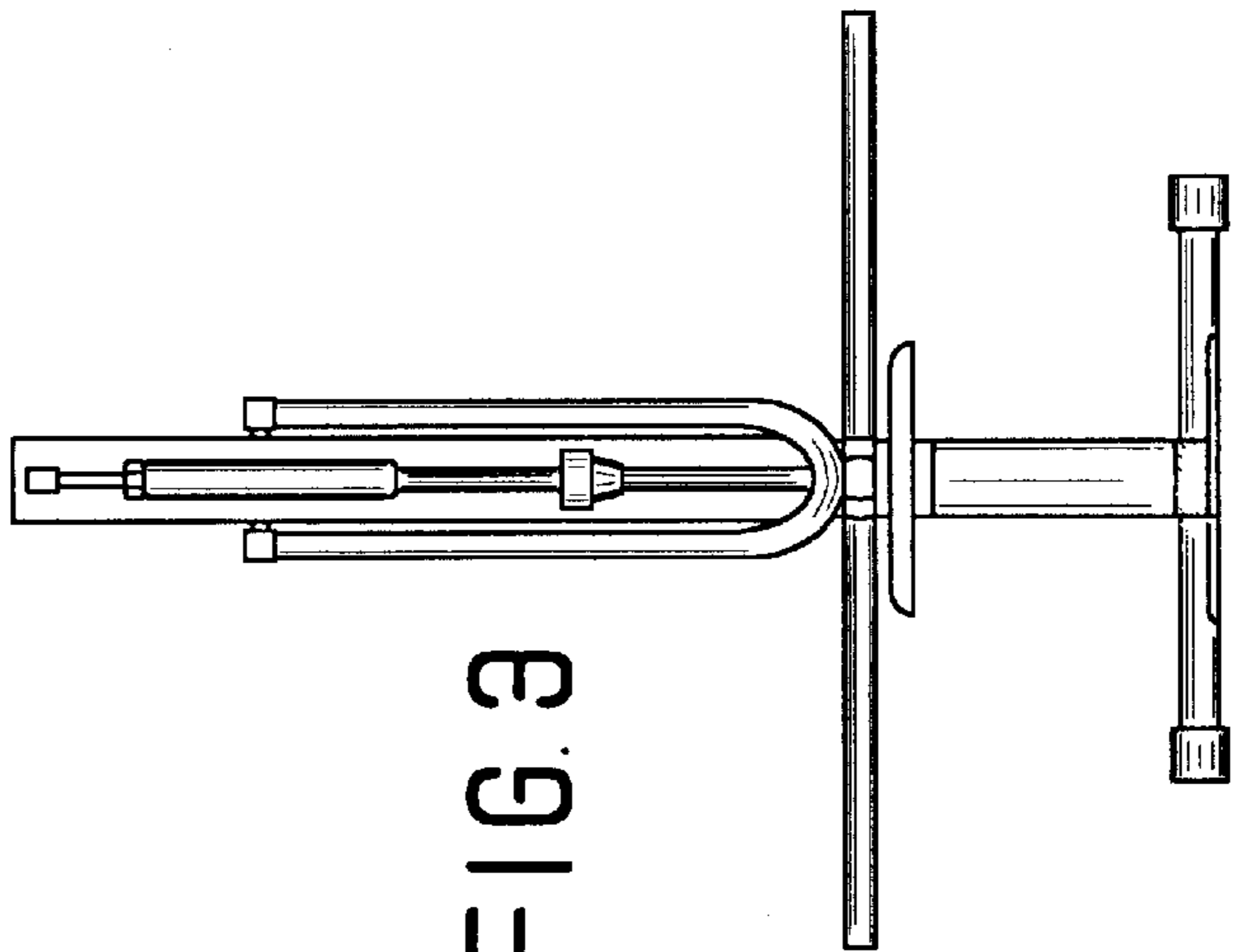


FIG. 3

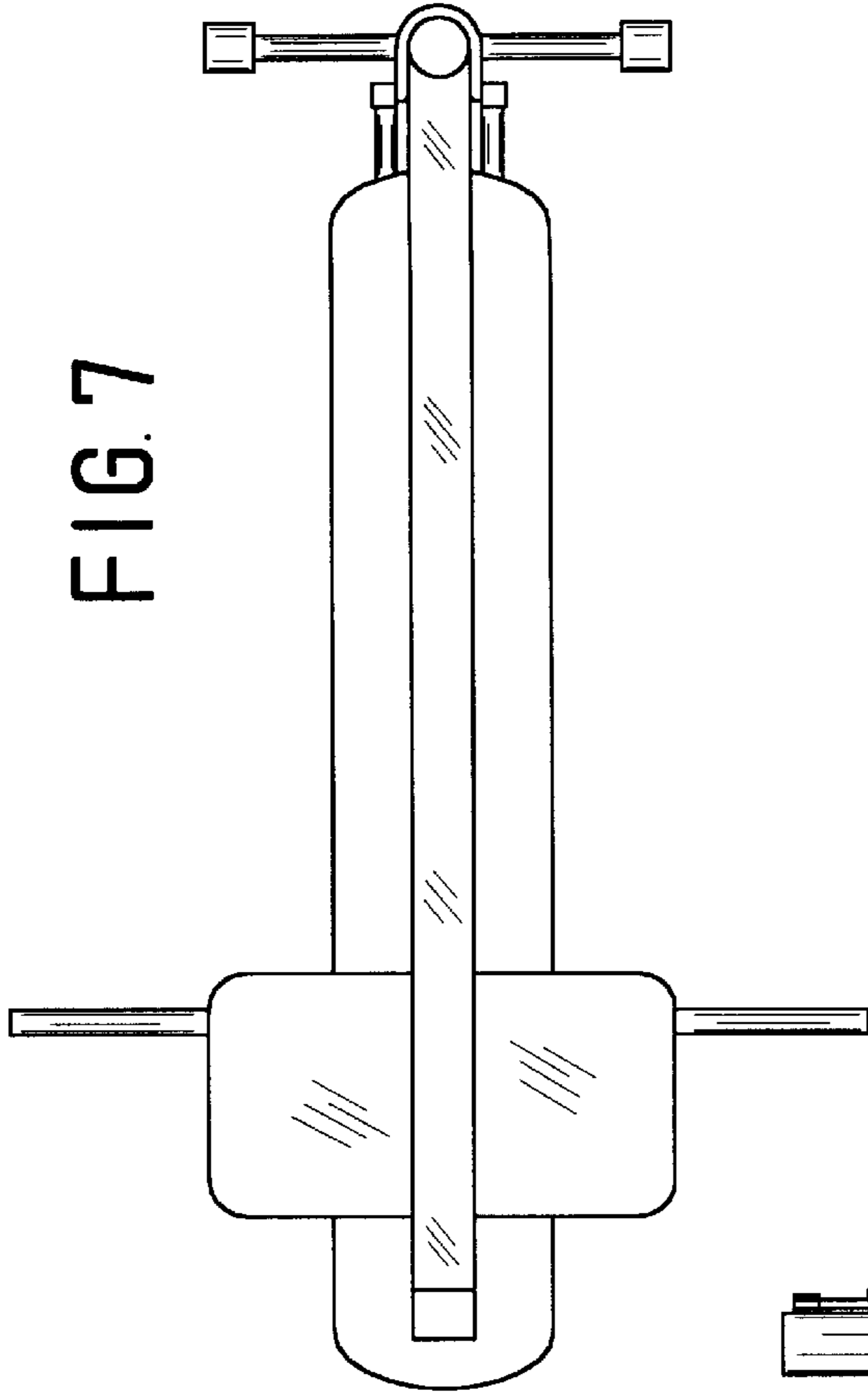


FIG. 7

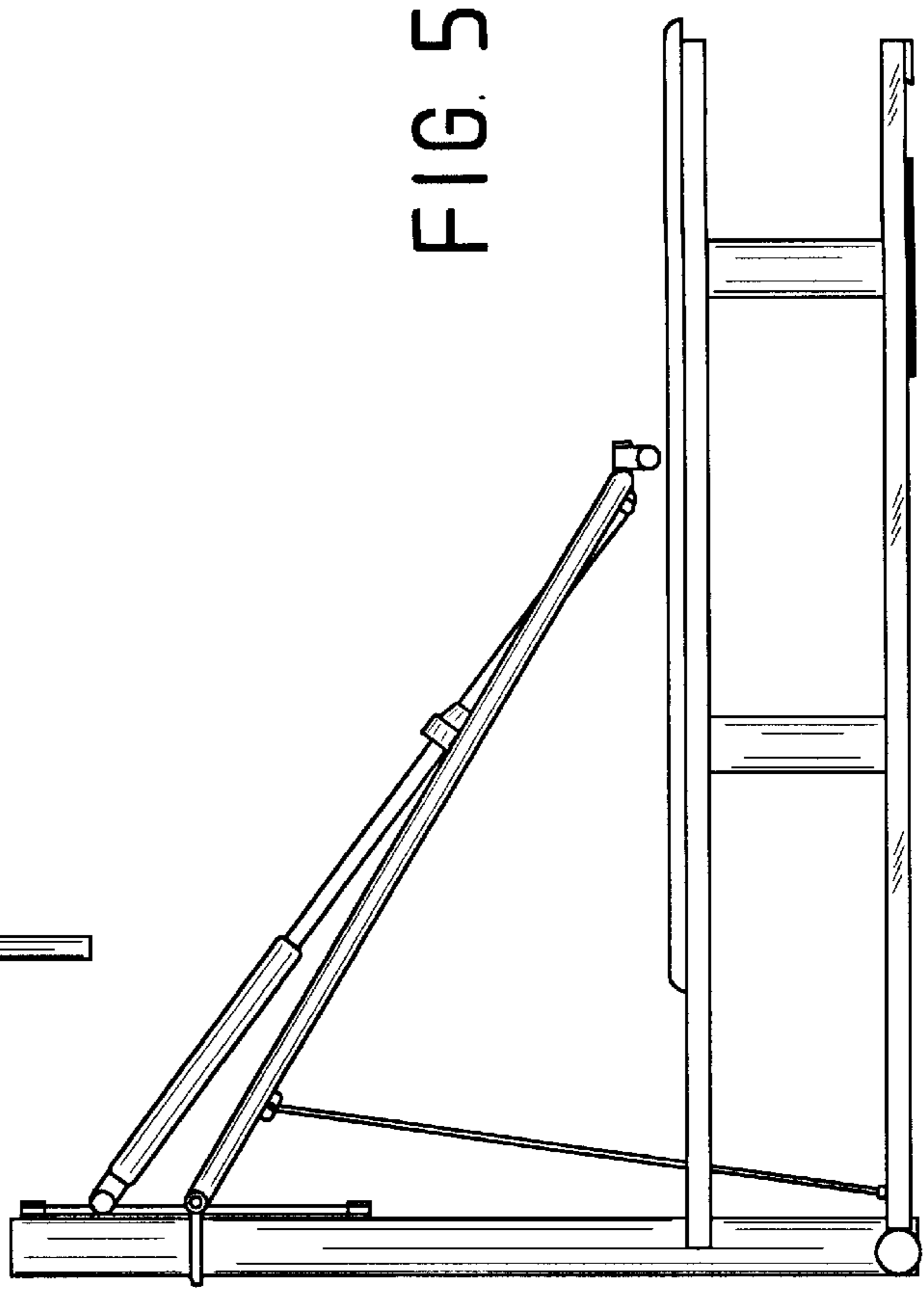


FIG. 5

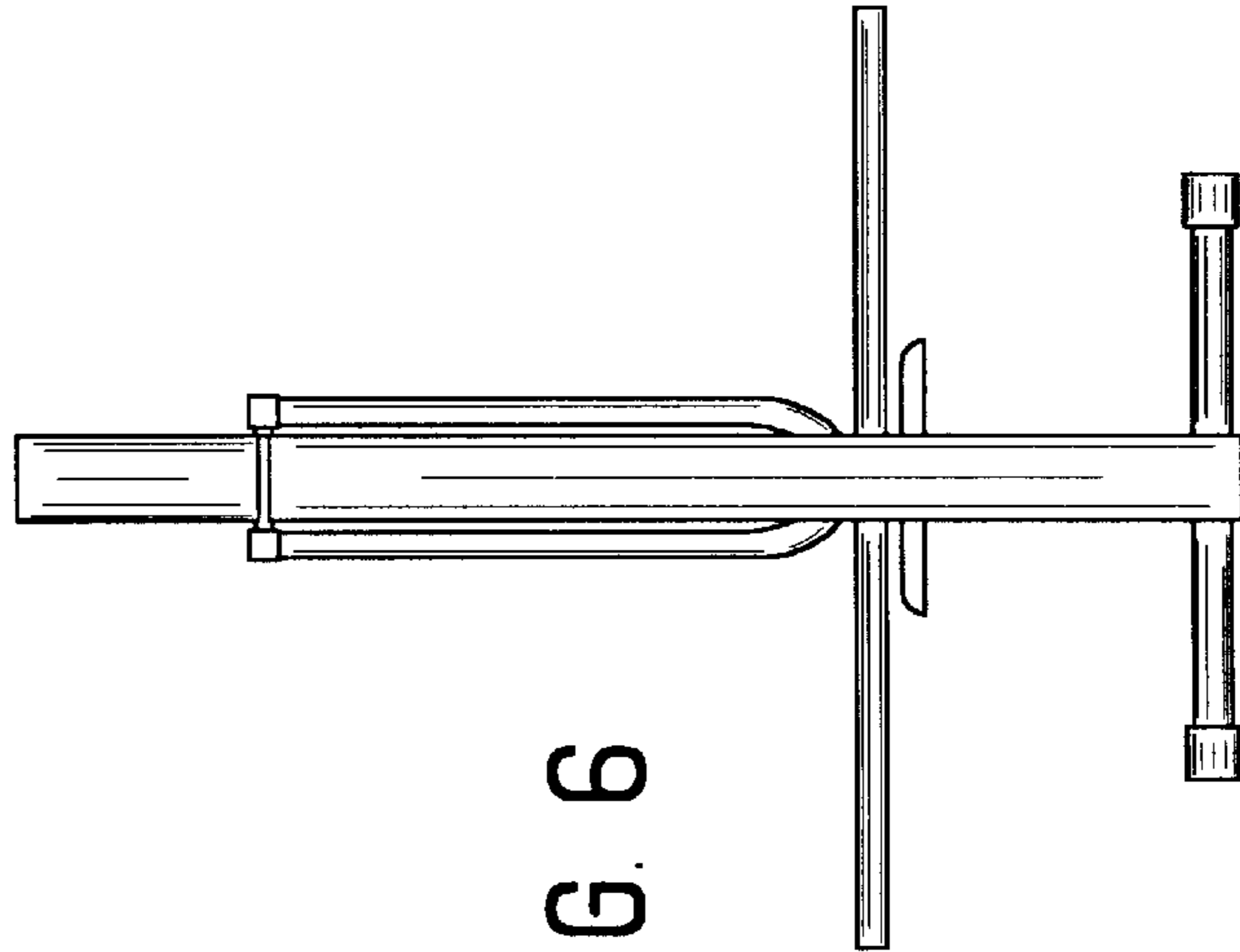


FIG. 6