



US00D405852S

United States Patent [19] McBride

[11] **Patent Number: Des. 405,852**

[45] **Date of Patent: **Feb. 16, 1999**

[54] **ELLIPTICAL MOTION EXERCISE RIDER**

[75] Inventor: **Robert W. McBride**, Springfield, Mo.

[73] Assignee: **Stamina Products, Inc.**, Springfield, Mo.

[**] Term: **14 Years**

[21] Appl. No.: **82,396**

[22] Filed: **Jan. 21, 1998**

[51] **LOC (6) Cl.** **21-02**

[52] **U.S. Cl.** **D21/670; D21/668**

[58] **Field of Search** D21/662, 665,
D21/670, 668, 669; 482/51, 52, 54, 57,
53

[56] **References Cited**

U.S. PATENT DOCUMENTS

- D. 330,236 10/1992 Jarriel et al. D21/665
- D. 372,282 7/1996 Pasero et al. D21/670

- D. 388,847 1/1998 Whan-Tong et al. D21/670
- 5,573,480 11/1996 Rodgers, Jr. 482/52
- 5,611,756 3/1997 Miller 482/57
- 5,685,804 11/1997 Whan-Tong et al. 482/57

Primary Examiner—Philip S. Hyder
Attorney, Agent, or Firm—Pillsbury Madison & Sutro LLP

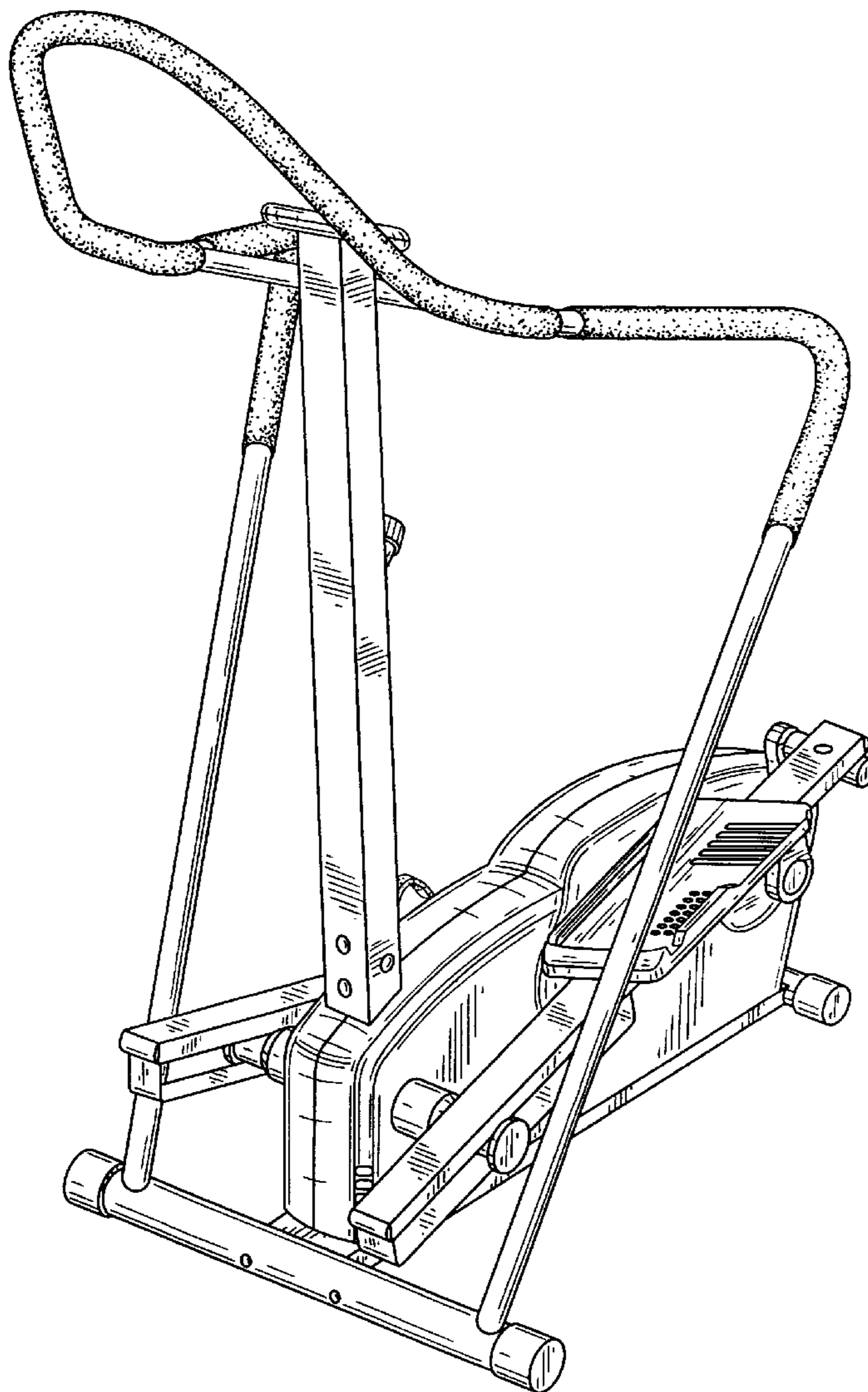
[57] **CLAIM**

The ornamental design for an elliptical motion exercise rider, as shown and described.

DESCRIPTION

FIG. 1 is a front perspective view of an elliptical motion exercise rider showing my design; FIG. 2 is a right side elevation thereof; FIG. 3 is a left side elevation thereof; FIG. 4 is a top plan view thereof; FIG. 5 is a bottom plan view thereof; FIG. 6 is a front end elevation thereof; and, FIG. 7 is a rear end elevation thereof.

1 Claim, 5 Drawing Sheets



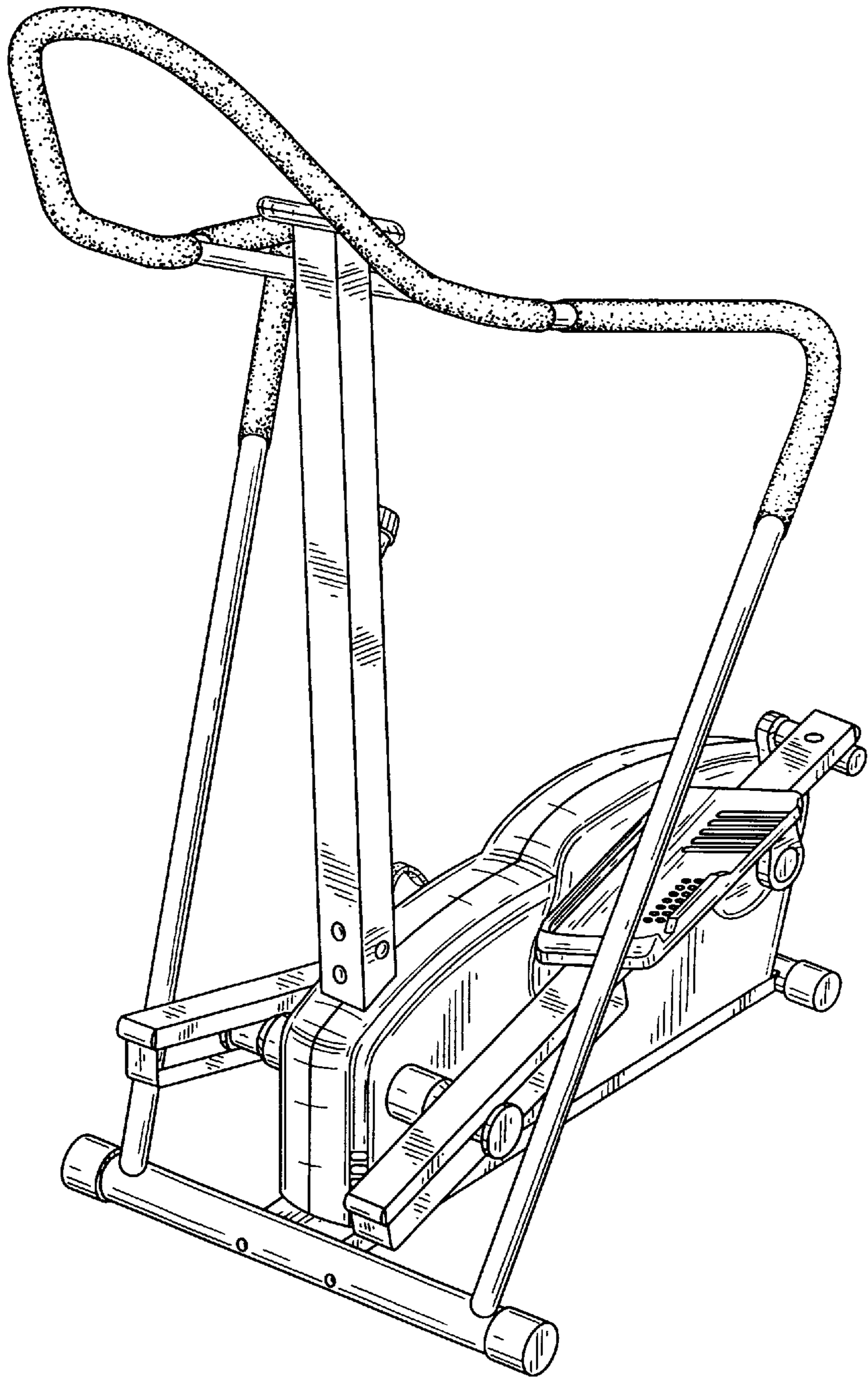


FIG. 1

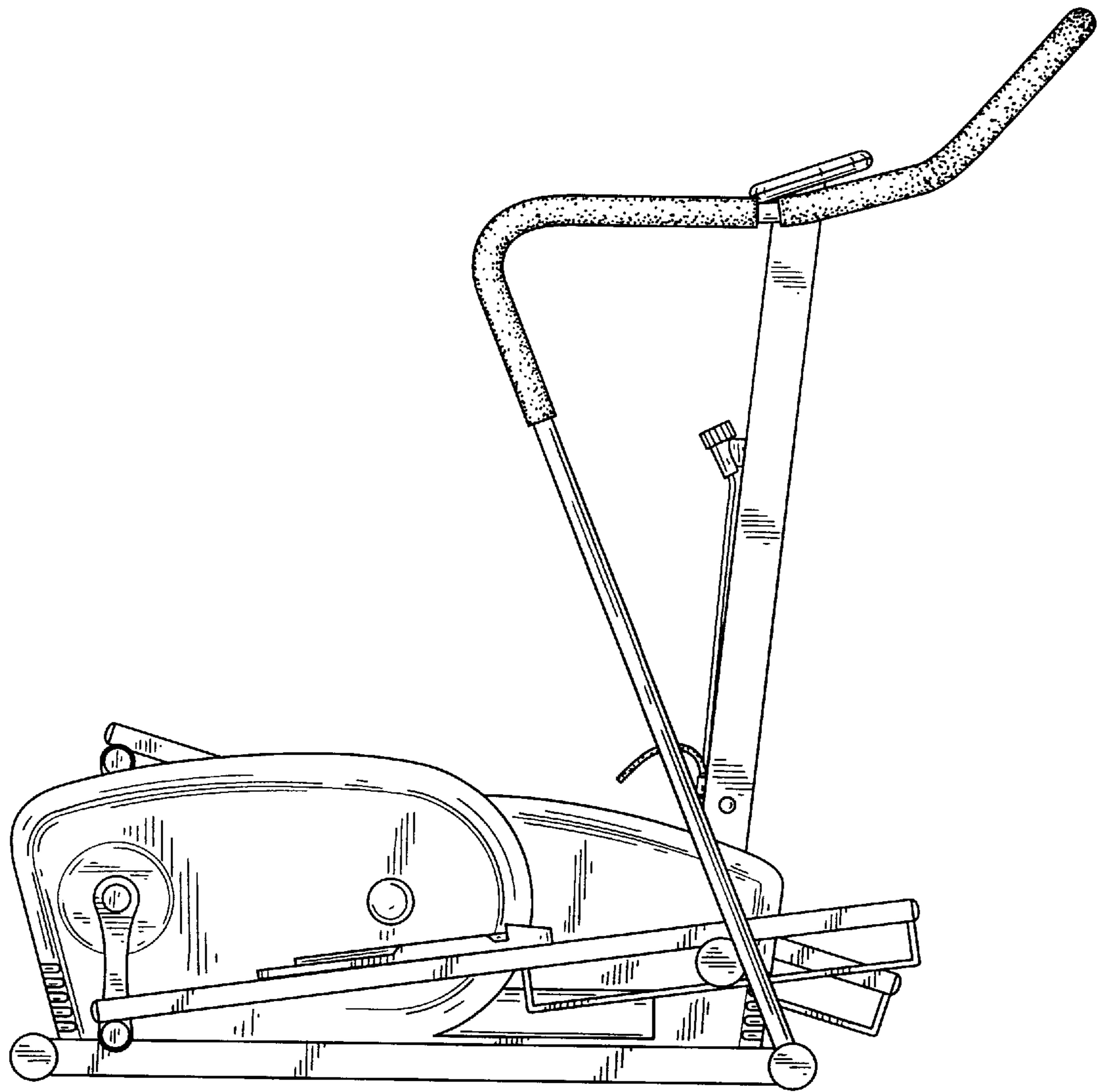


FIG. 2

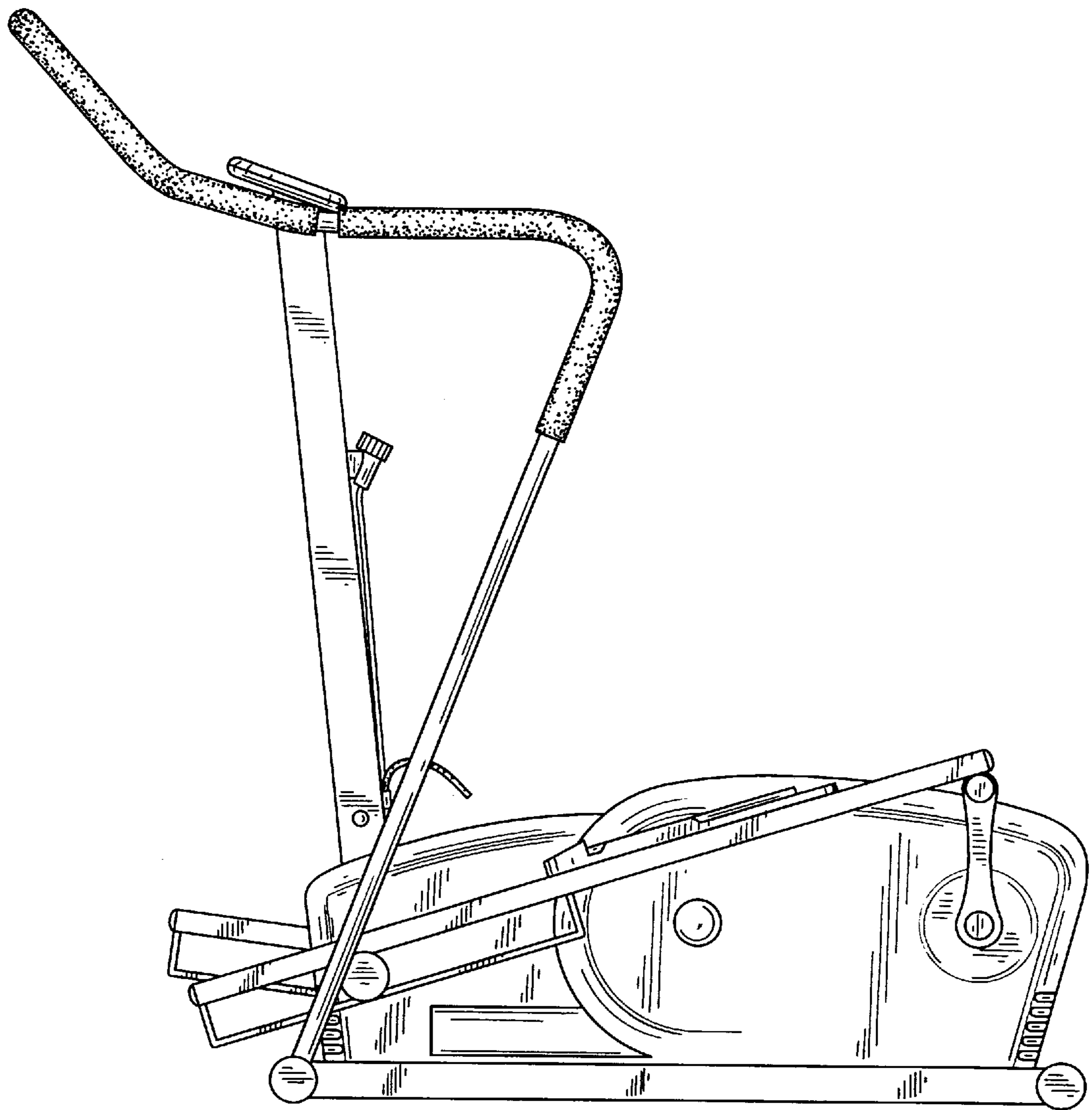


FIG. 3

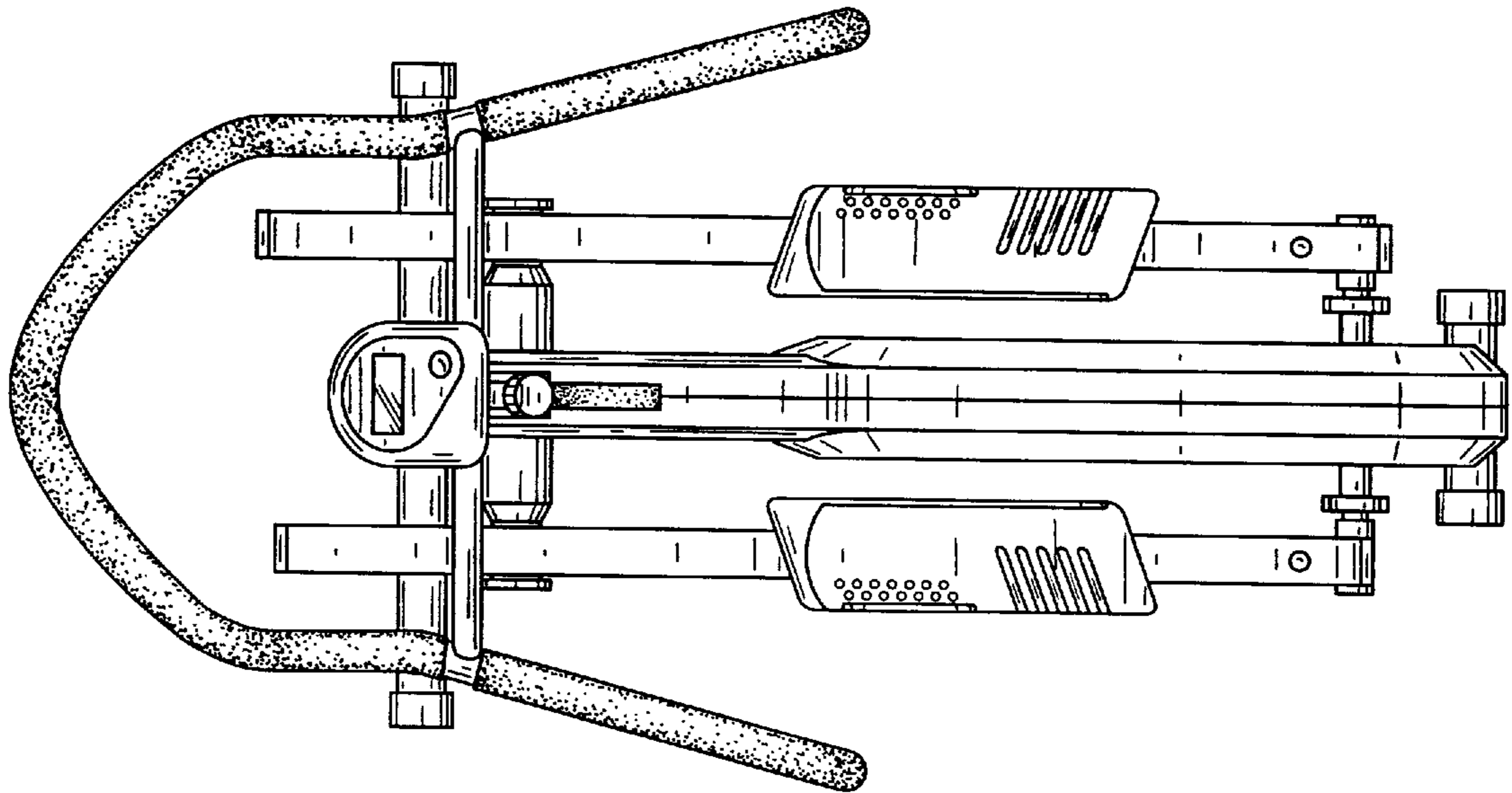


FIG. 4

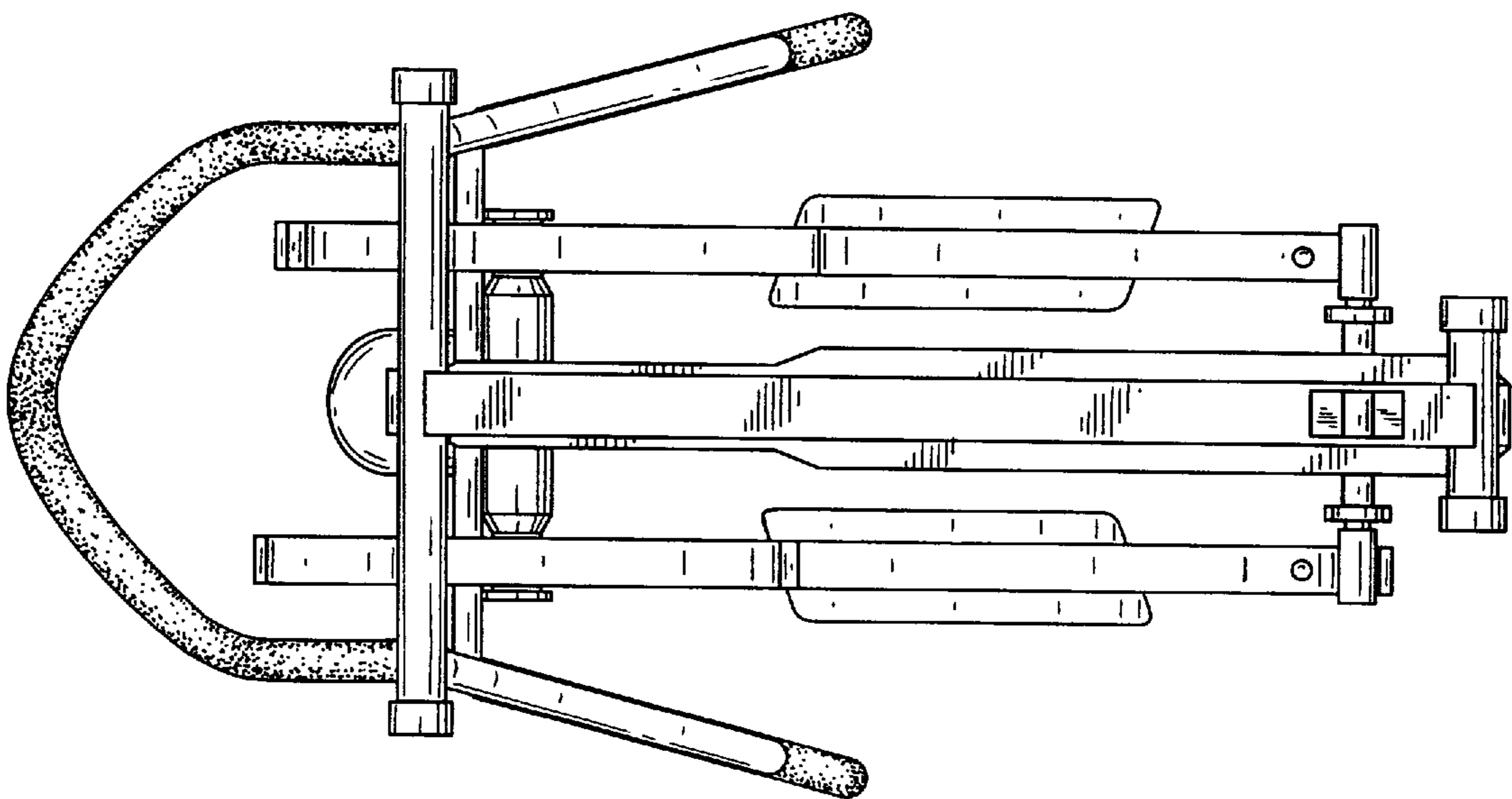


FIG. 5

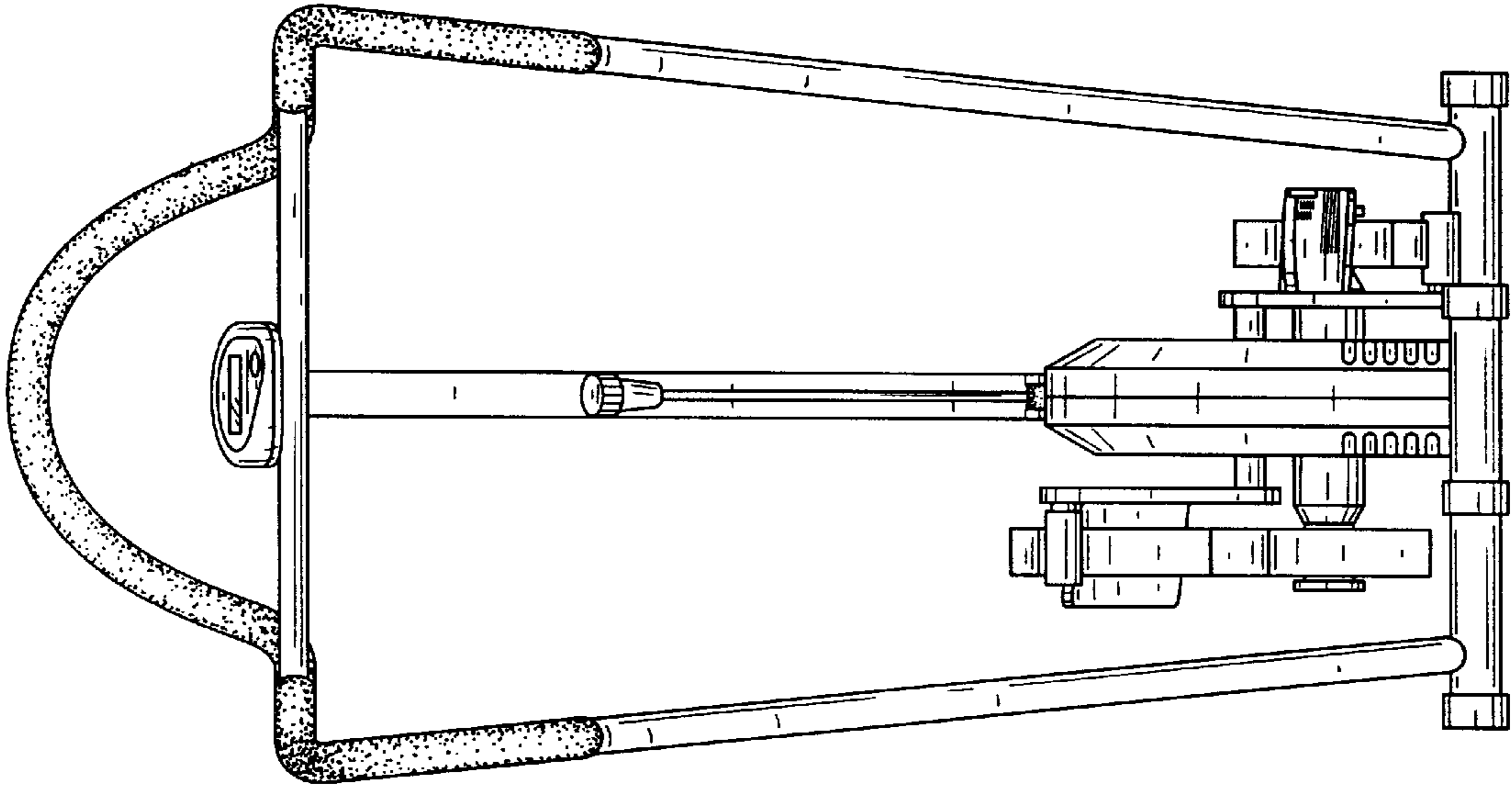


FIG. 6

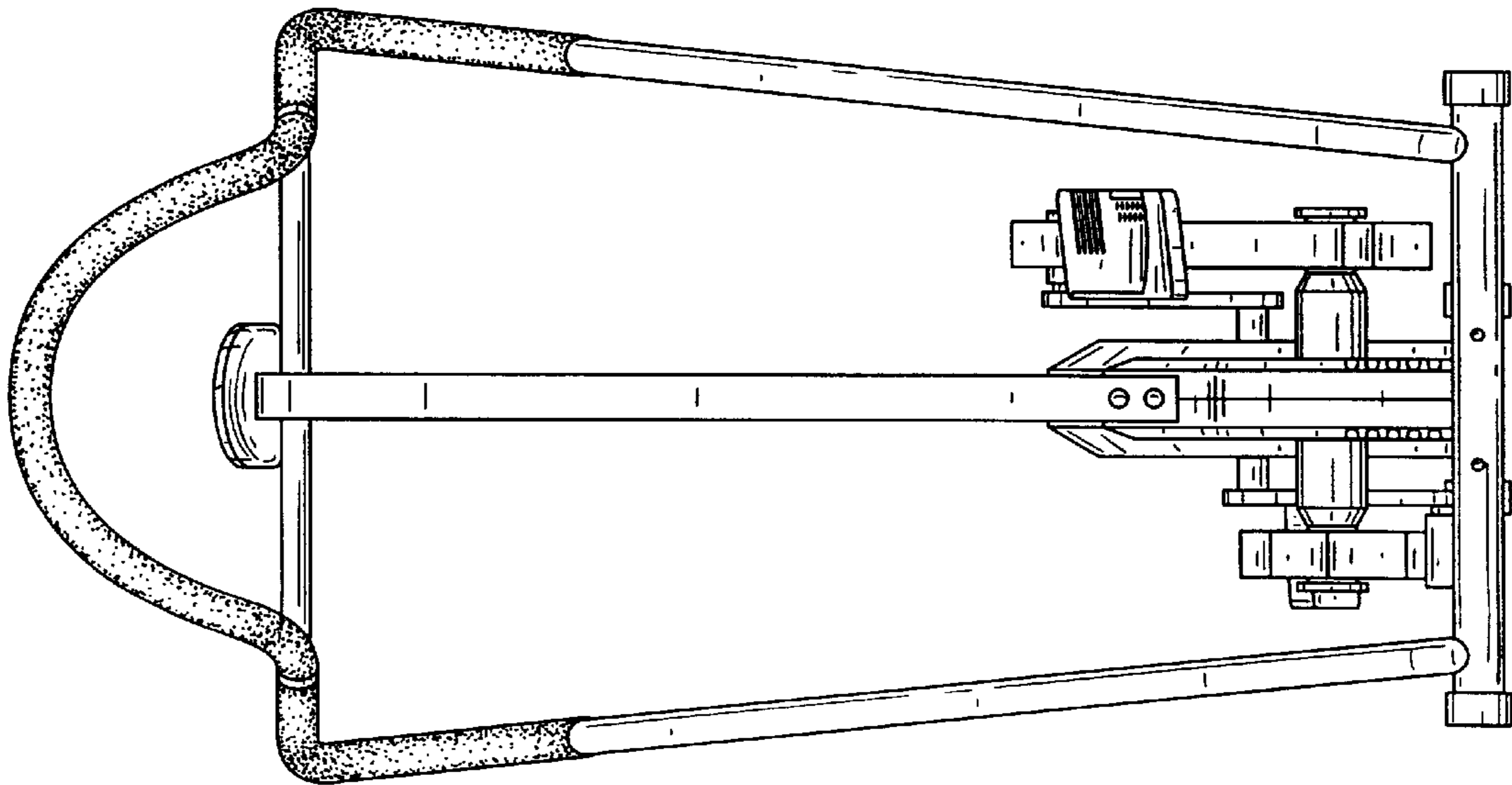


FIG. 7