



US00D405845S

# United States Patent [19] Blythe

[11] **Patent Number: Des. 405,845**

[45] **Date of Patent: \*\*Feb. 16, 1999**

[54] **TWO SEATED ROCKER WITH TOY BOX**

[76] Inventor: **Ruth Lafon Blythe**, 191 Magpie La.,  
Bailey, Colo. 80421

[\*\*] Term: **14 Years**

[21] Appl. No.: **91,136**

[22] Filed: **Jul. 23, 1998**

[51] **LOC (6) Cl.** ..... **21-01**

[52] **U.S. Cl.** ..... **D21/412**

[58] **Field of Search** ..... D21/412, 830;  
472/106, 108, 114, 1, 6, 14, 25, 27; 297/247

[56] **References Cited**

**U.S. PATENT DOCUMENTS**

|            |         |             |       |           |
|------------|---------|-------------|-------|-----------|
| D. 25,579  | 6/1896  | Thomass     | ..... | D21/412   |
| D. 161,731 | 1/1951  | Boren, Sr.  | ..... | D21/412 X |
| D. 169,049 | 3/1953  | Walton      | ..... | D21/412   |
| D. 194,111 | 11/1962 | Tosti       | ..... | D21/412   |
| D. 243,469 | 2/1977  | Nipper, Jr. | ..... | D21/412   |
| 2,417,618  | 3/1947  | Scott       | ..... | 472/114   |
| 3,279,794  | 10/1966 | Jenkins     | ..... | 472/114   |

*Primary Examiner*—Dominic Simone

[57] **CLAIM**

The ornamental design for a two seated rocker with toy box, as shown.

**DESCRIPTION**

FIG. 1 is a front elevational view of the two seated rocker with toy box of the present invention;

FIG. 2 is a back elevational view of the two seated rocker with toy box of FIG. 1;

FIG. 3 is a right side elevational view of the two seated rocker with toy box of FIG. 1;

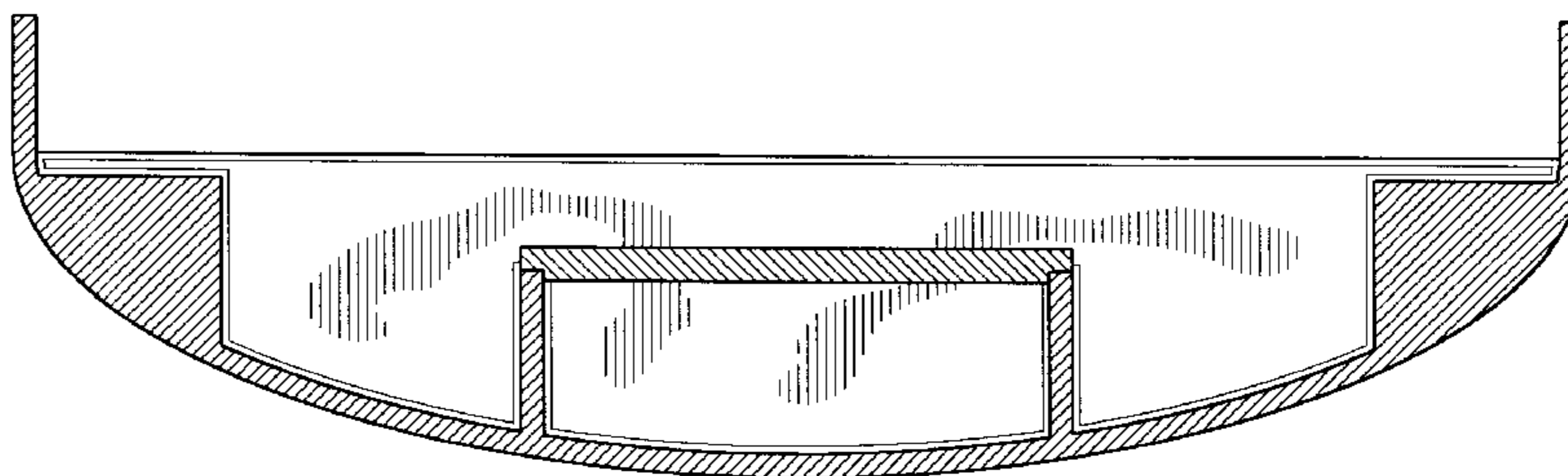
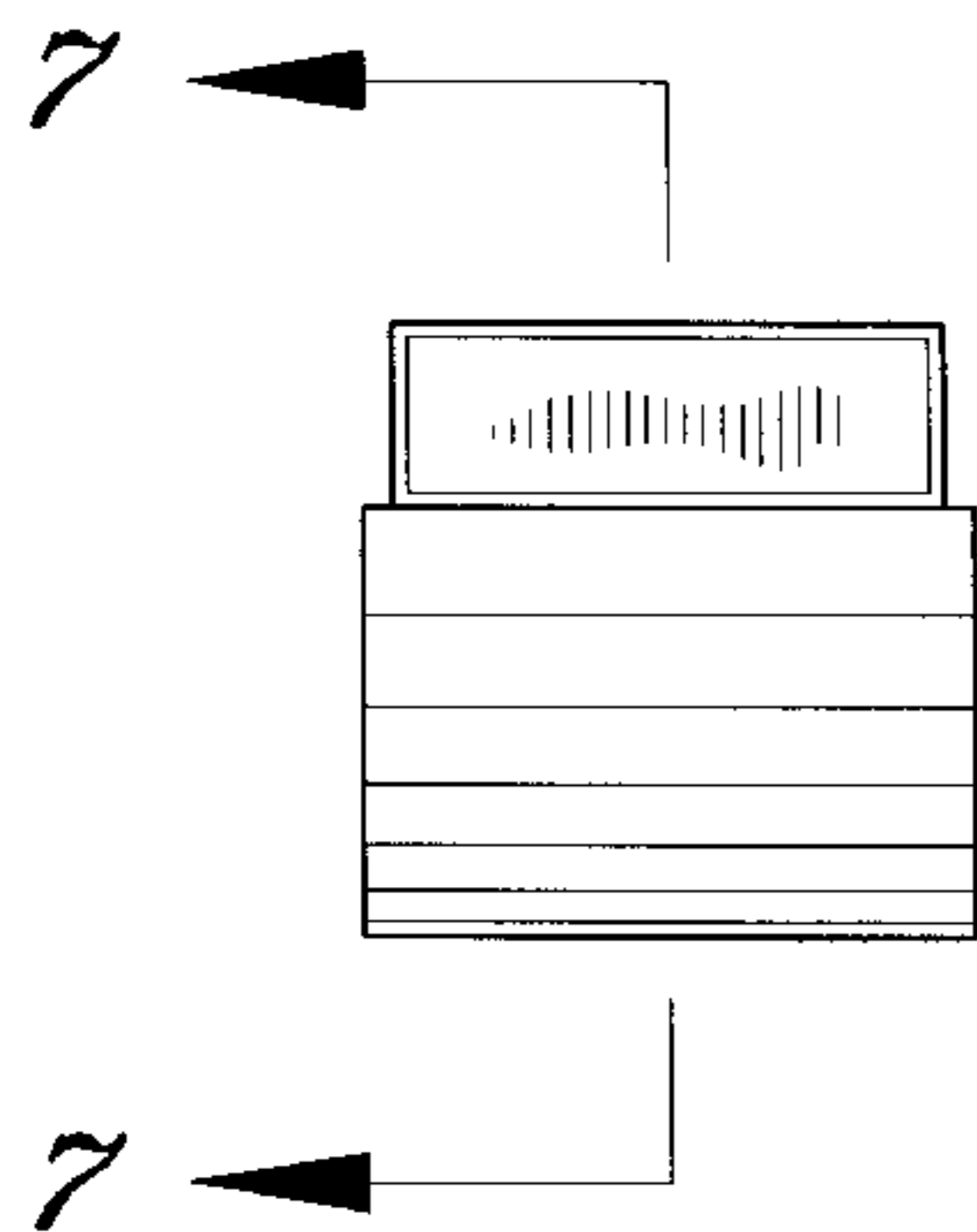
FIG. 4 is a left side elevational view of the two seated rocker with toy box of FIG. 1;

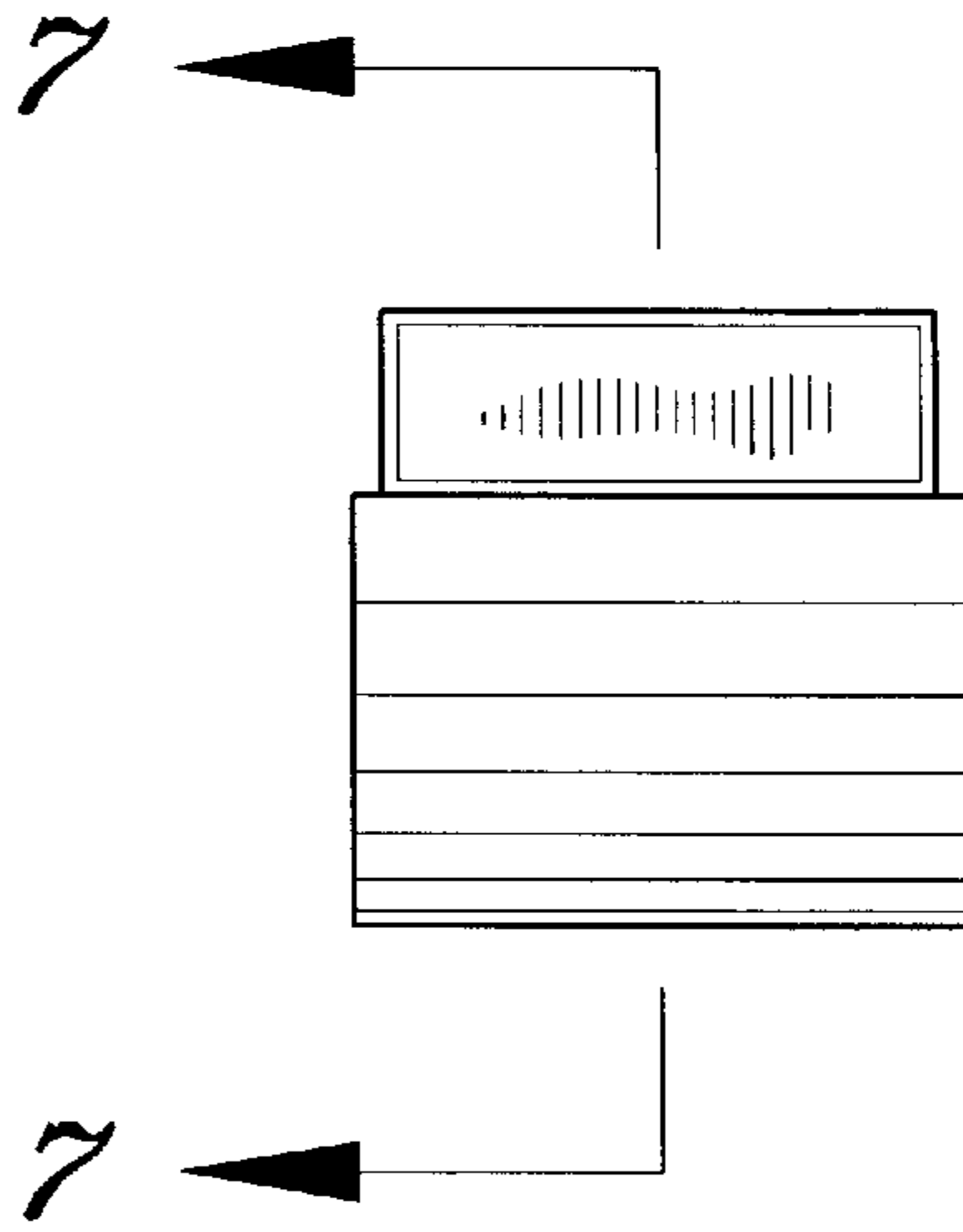
FIG. 5 is a top plan view of the two seated rocker with toy box of FIG. 1;

FIG. 6 is a bottom plan view of the two seated rocker with toy box of FIG. 1; and,

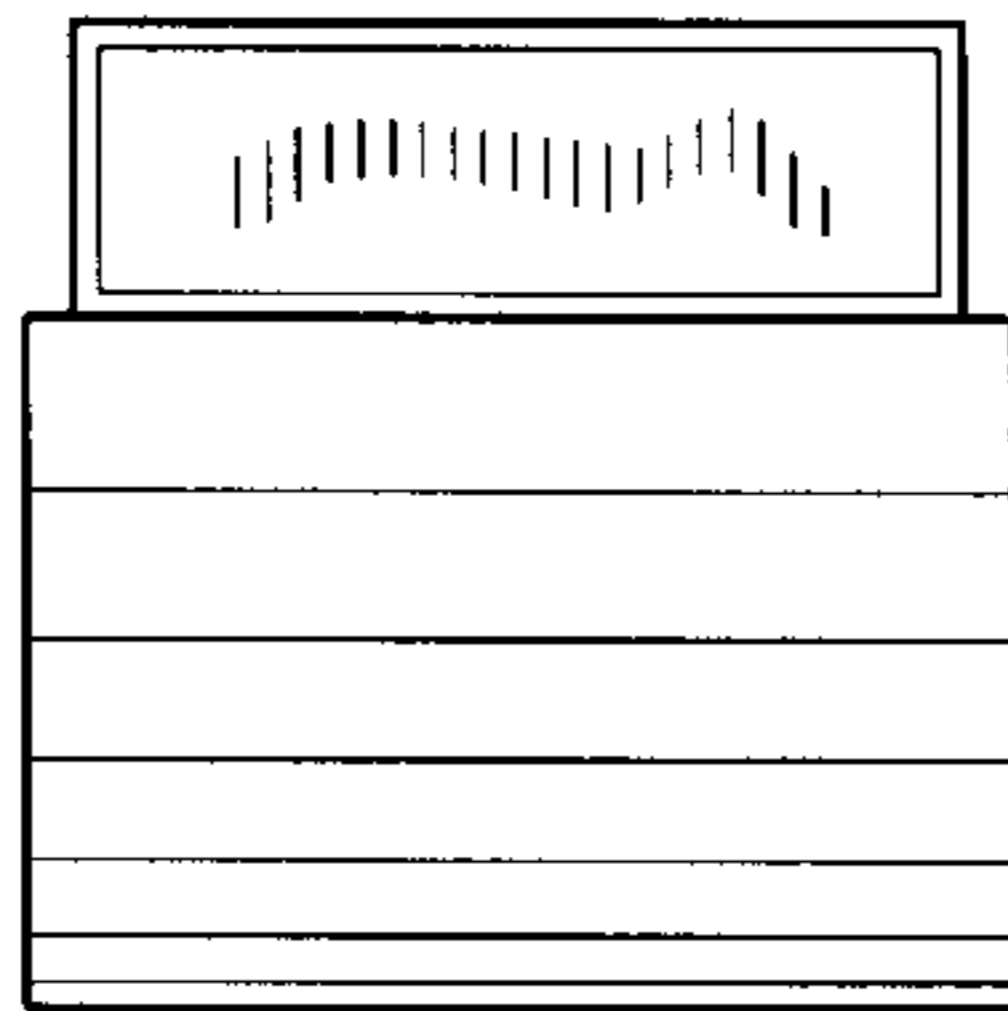
FIG. 7 is a cross sectional view along line 7—7 of FIG. 1 of the two seated rocker with toy box of FIG. 1.

**1 Claim, 4 Drawing Sheets**

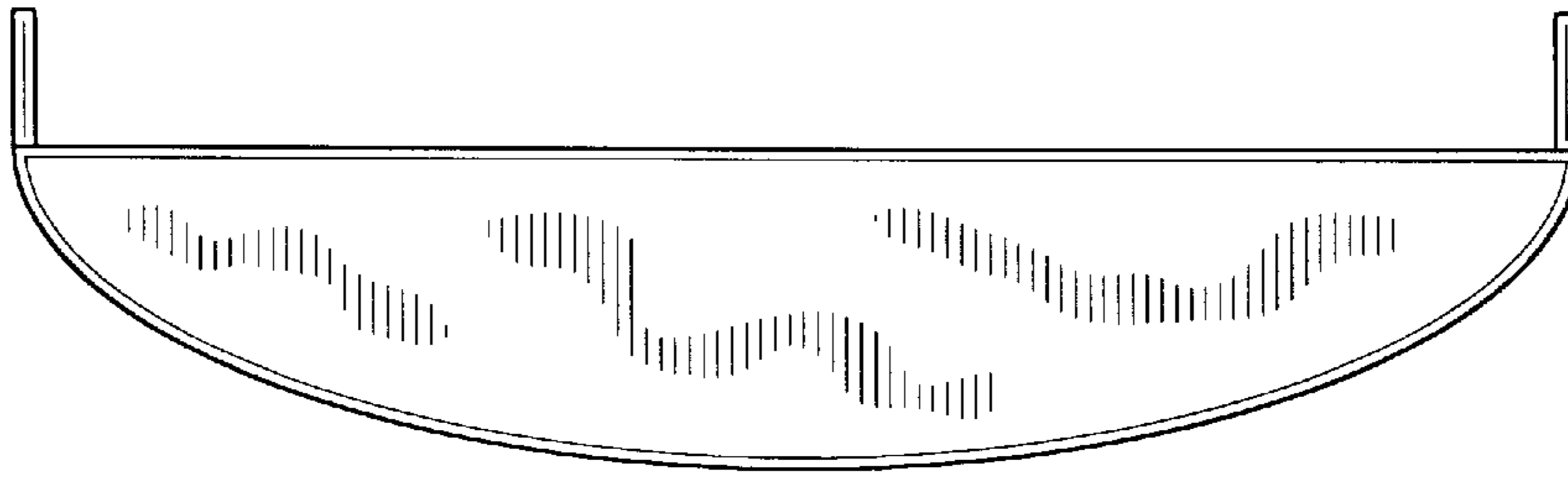




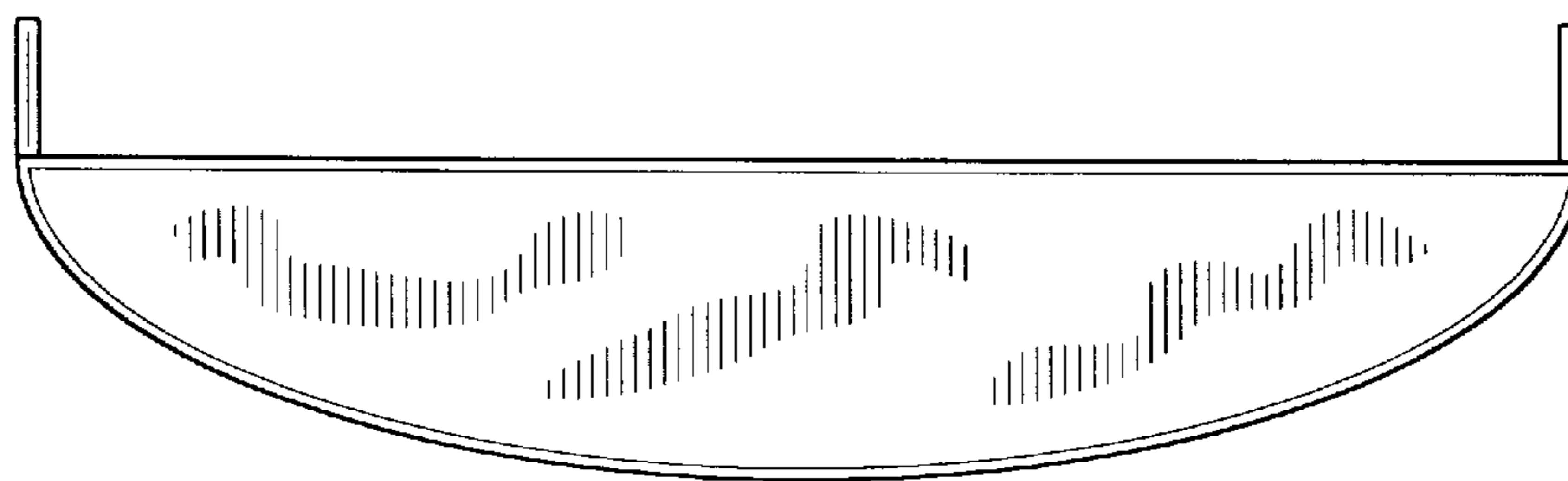
*Fig. 1*



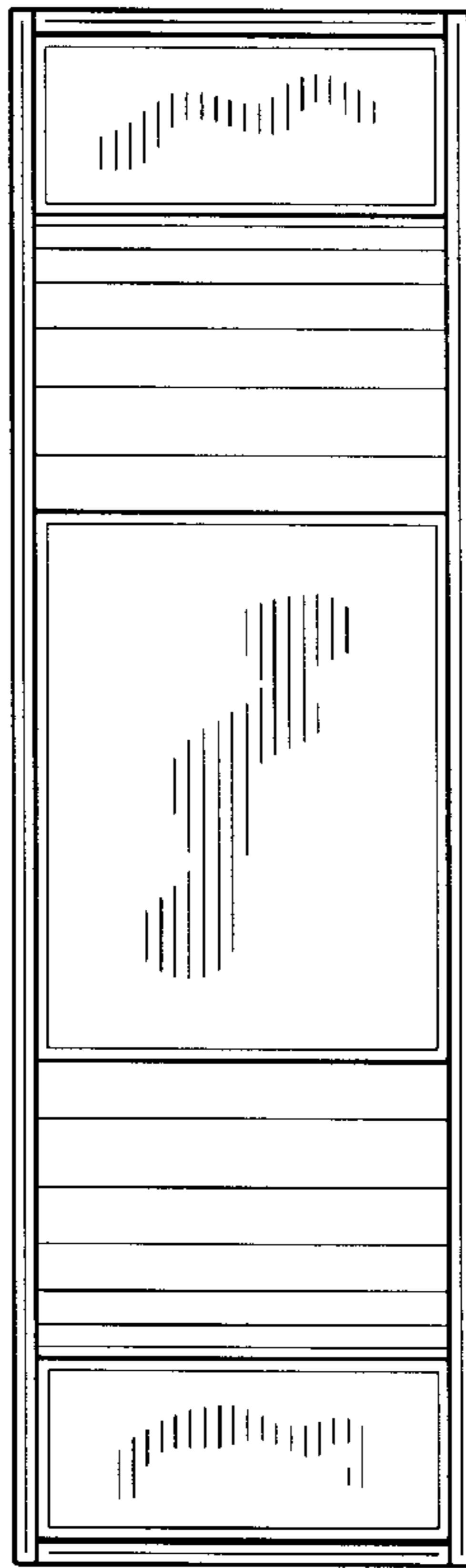
*Fig. 2*



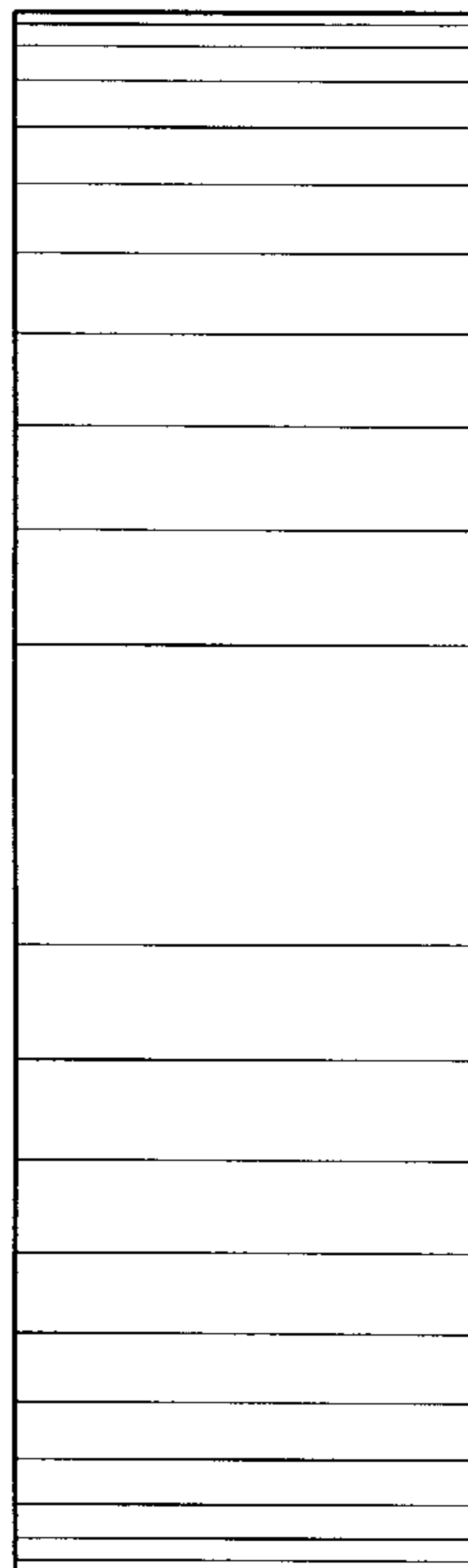
*Fig. 3*



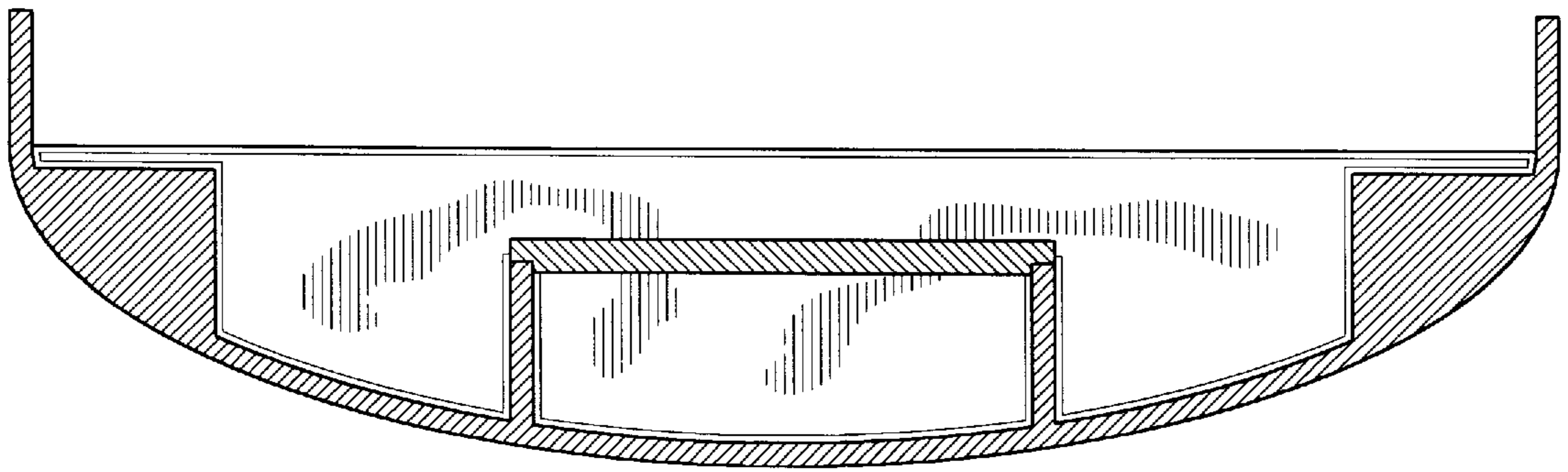
*Fig. 4*



*Fig. 5*



*Fig. 6*



*Fig. 7*