



US00D405843S

**United States Patent** [19]  
**Palardis**

[11] **Patent Number: Des. 405,843**

[45] **Date of Patent: \*\*Feb. 16, 1999**

[54] **NOVELTY GOAL POST RATTLE**

D. 363,322 10/1995 Wesley ..... D21/406

[76] Inventor: **Charles S. Palardis**, 8408 N. Edison Ave., Tampa, Fla. 33604

*Primary Examiner*—Dominic Simone  
*Attorney, Agent, or Firm*—Pettis & Van Royen P.A.

[\*\*] Term: **14 Years**

[57] **CLAIM**

[21] Appl. No.: **86,609**

The ornamental design for a novelty goal post rattle, as shown.

[22] Filed: **Apr. 16, 1998**

**DESCRIPTION**

[51] **LOC (6) Cl.** ..... **21-01**

FIG. 1 is a front elevational view of the novelty goal post rattle of this invention;

[52] **U.S. Cl.** ..... **D21/406**

FIG. 2 is a rear elevational view thereof;

[58] **Field of Search** ..... D21/406, 408; 446/297, 419, 421

FIG. 3 is a left side elevational view thereof, the right side being a mirror image;

[56] **References Cited**

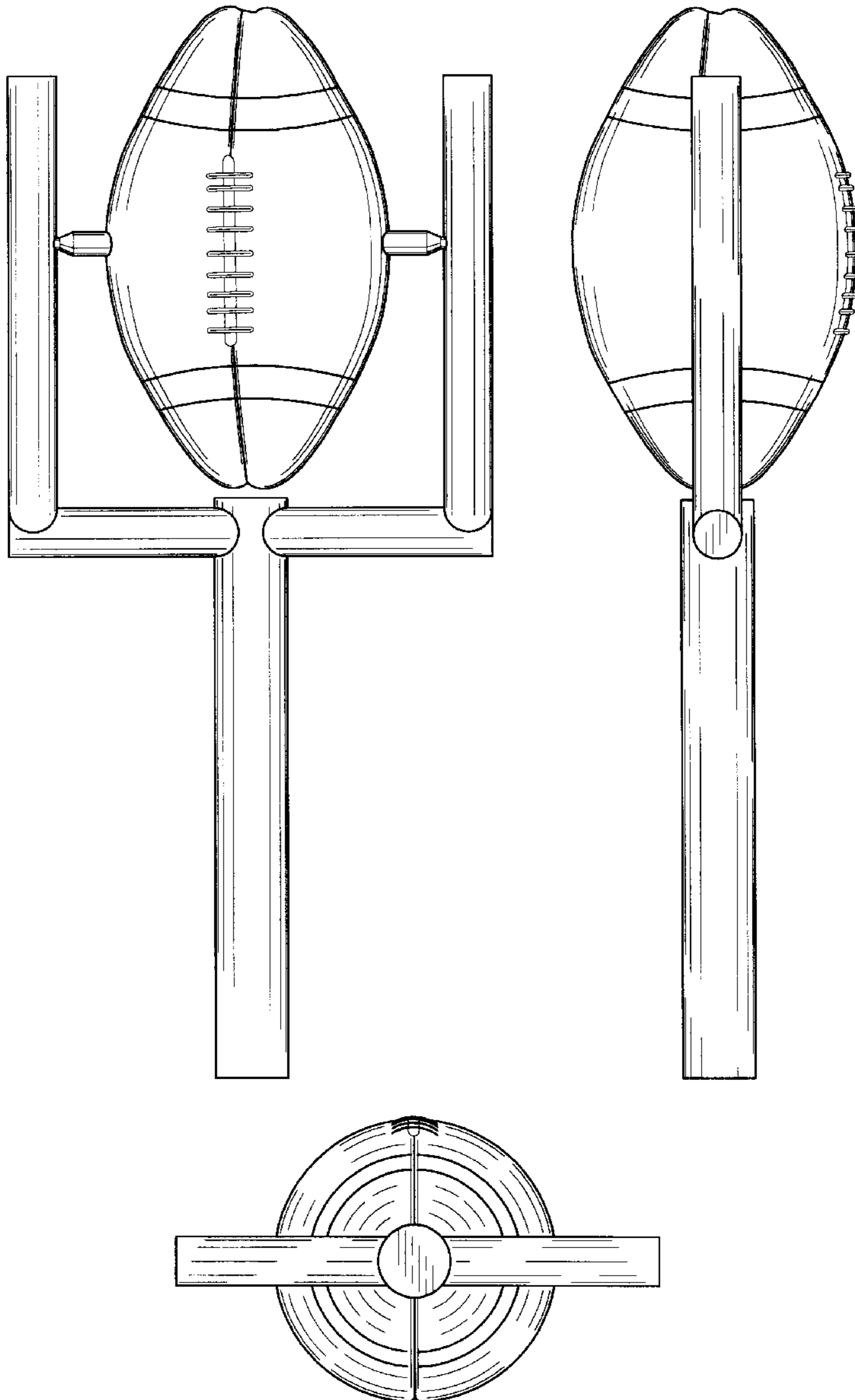
FIG. 4 is a top plan view thereof; and,

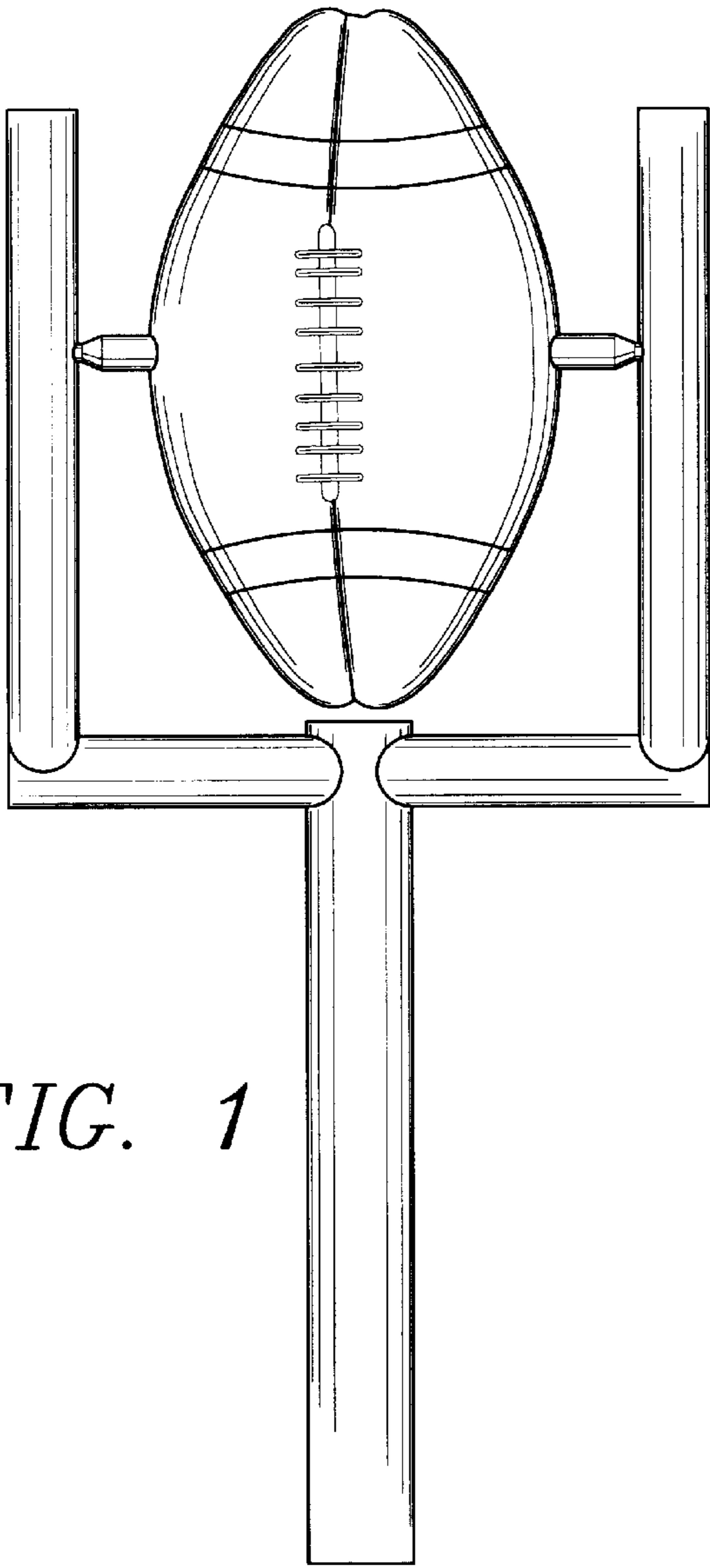
**U.S. PATENT DOCUMENTS**

FIG. 5 is a bottom plan view thereof.

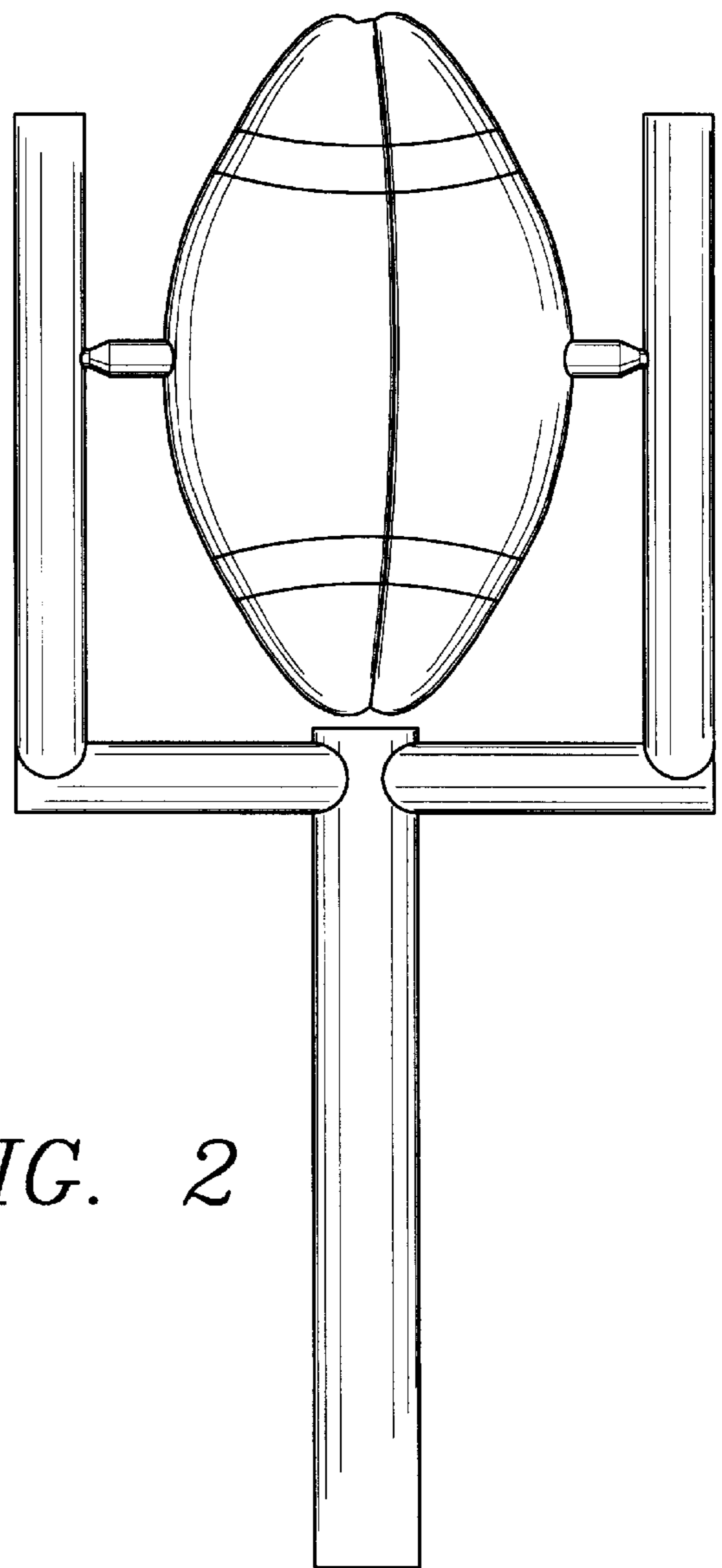
D. 278,642 4/1985 Martinez ..... D21/406

**1 Claim, 2 Drawing Sheets**

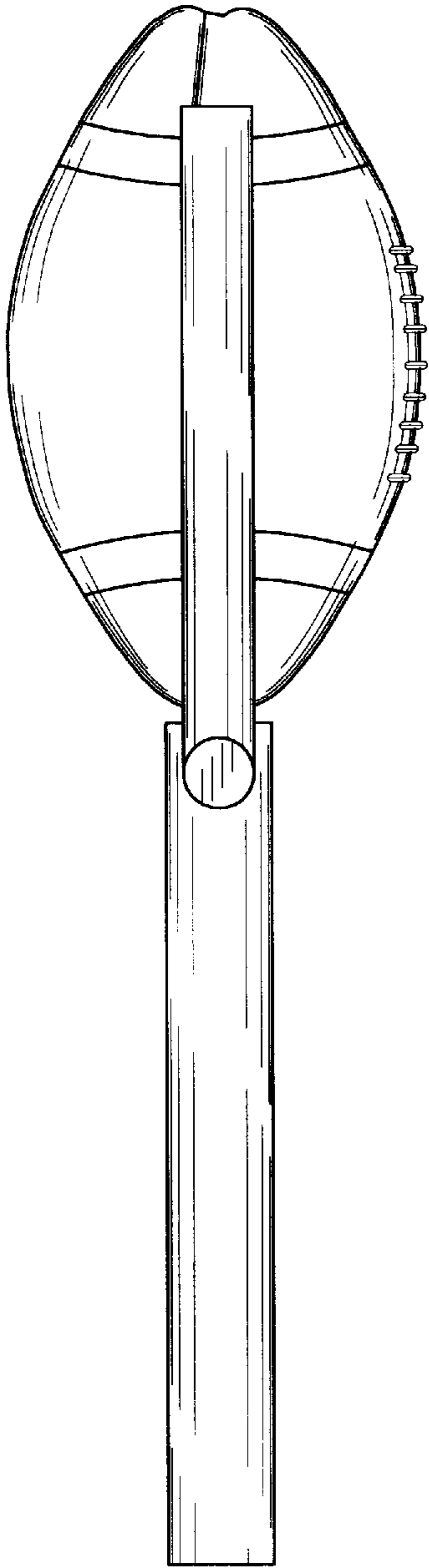




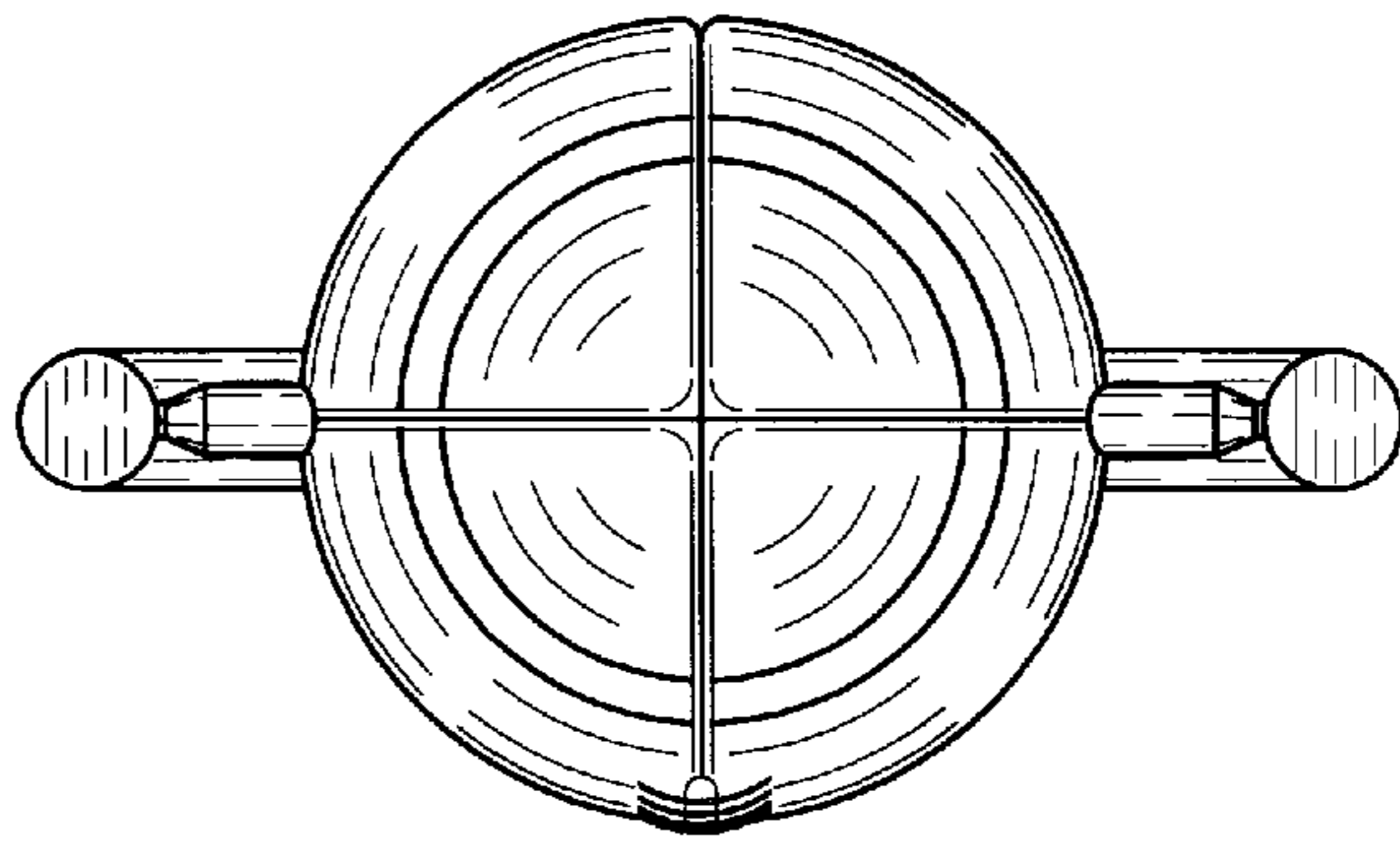
*FIG. 1*



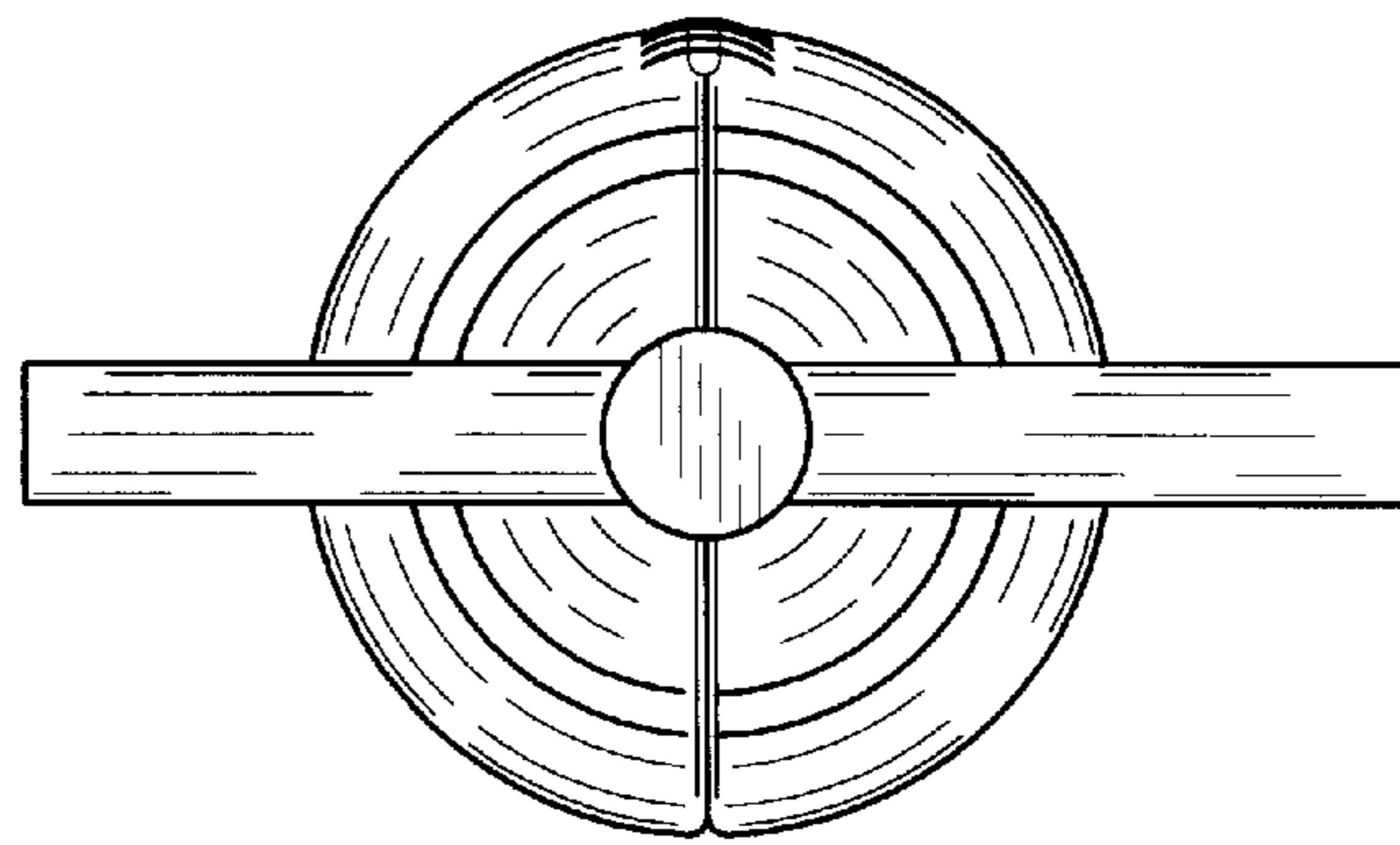
*FIG. 2*



*FIG. 3*



*FIG. 4*



*FIG. 5*