



US00D405836S

United States Patent [19]

Nicolette et al.

[11] Patent Number: **Des. 405,836**

[45] Date of Patent: ****Feb. 16, 1999**

[54] **GOLF PUTTER HEAD**

D. 381,725 7/1997 Sugo D21/217

[75] Inventors: **Michael R. Nicolette**, Scottsdale; **John A. Solheim**, Phoenix, both of Ariz.

OTHER PUBLICATIONS

Spalding 1989 Pro Golf Cat., p. 25, bottom, second from right, TPM III putter.

[73] Assignee: **Karsten Manufacturing Corp.**, Phoenix, Ariz.

Golf Digest, Apr. 1977, p. 35, bottom left, putter No. 7.

[**] Term: **14 Years**

Primary Examiner—Sandra L. Morris
Assistant Examiner—Mitchell I. Siegel
Attorney, Agent, or Firm—Darrell F. Marquette

[21] Appl. No.: **69,216**

[57] CLAIM

[22] Filed: **Apr. 4, 1997**

The ornamental design for a golf putter head, as shown and described.

[51] **LOC (6) Cl.** **21-02**

[52] **U.S. Cl.** **D21/217**

[58] **Field of Search** D21/217-219;
473/251-256, 340, 341

DESCRIPTION

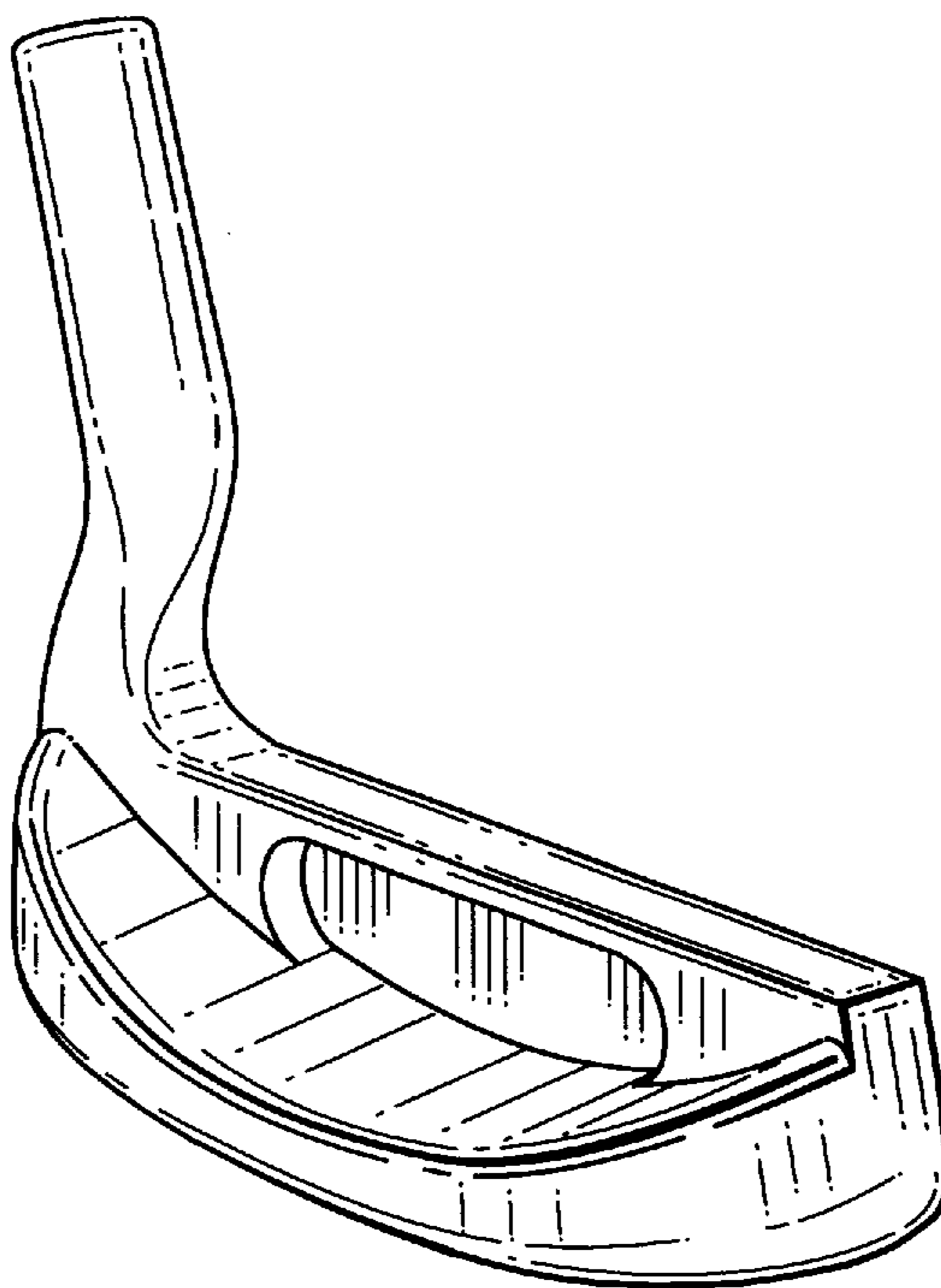
[56] References Cited

U.S. PATENT DOCUMENTS

| | | | |
|------------|---------|-----------------|---------|
| D. 196,734 | 10/1963 | Solheim . | |
| D. 231,375 | 4/1974 | Solheim | D21/217 |
| D. 263,409 | 3/1982 | Duclos | D21/219 |
| D. 263,908 | 4/1982 | Kobayashi | D21/219 |
| D. 282,555 | 2/1986 | Shearer | D21/217 |
| D. 293,126 | 12/1987 | Bizovi | D21/219 |
| D. 293,926 | 1/1988 | Antonious | D21/217 |

FIG. 1 is a perspective view of a golf putter head showing my new design;
FIG. 2 is a top plan view of the golf putter head;
FIG. 3 is a bottom view of the golf putter head;
FIG. 4 is a toe end view of the golf putter head;
FIG. 5 is a heel end view of the golf putter head;
FIG. 6 is a rear elevational view of the golf putter head;
FIG. 7 is a front elevational view of the golf putter head; and,
FIG. 8 is a sectional view taken along lines 8—8 in FIG. 6.

1 Claim, 1 Drawing Sheet



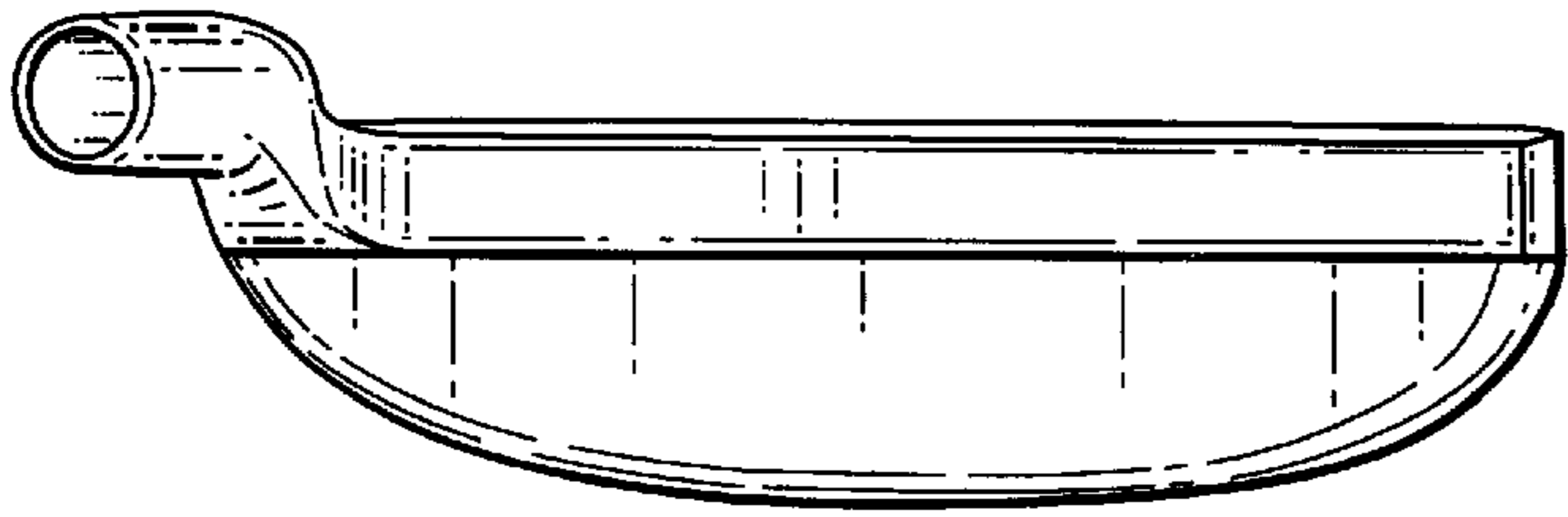


Fig. 2

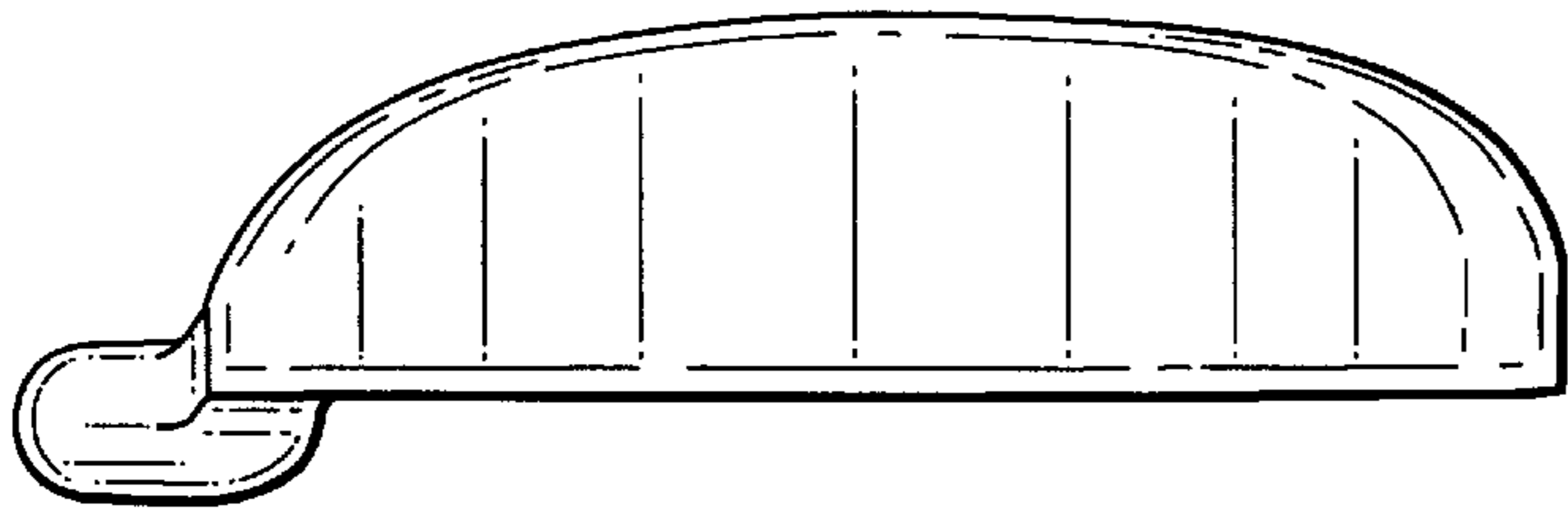


Fig. 3

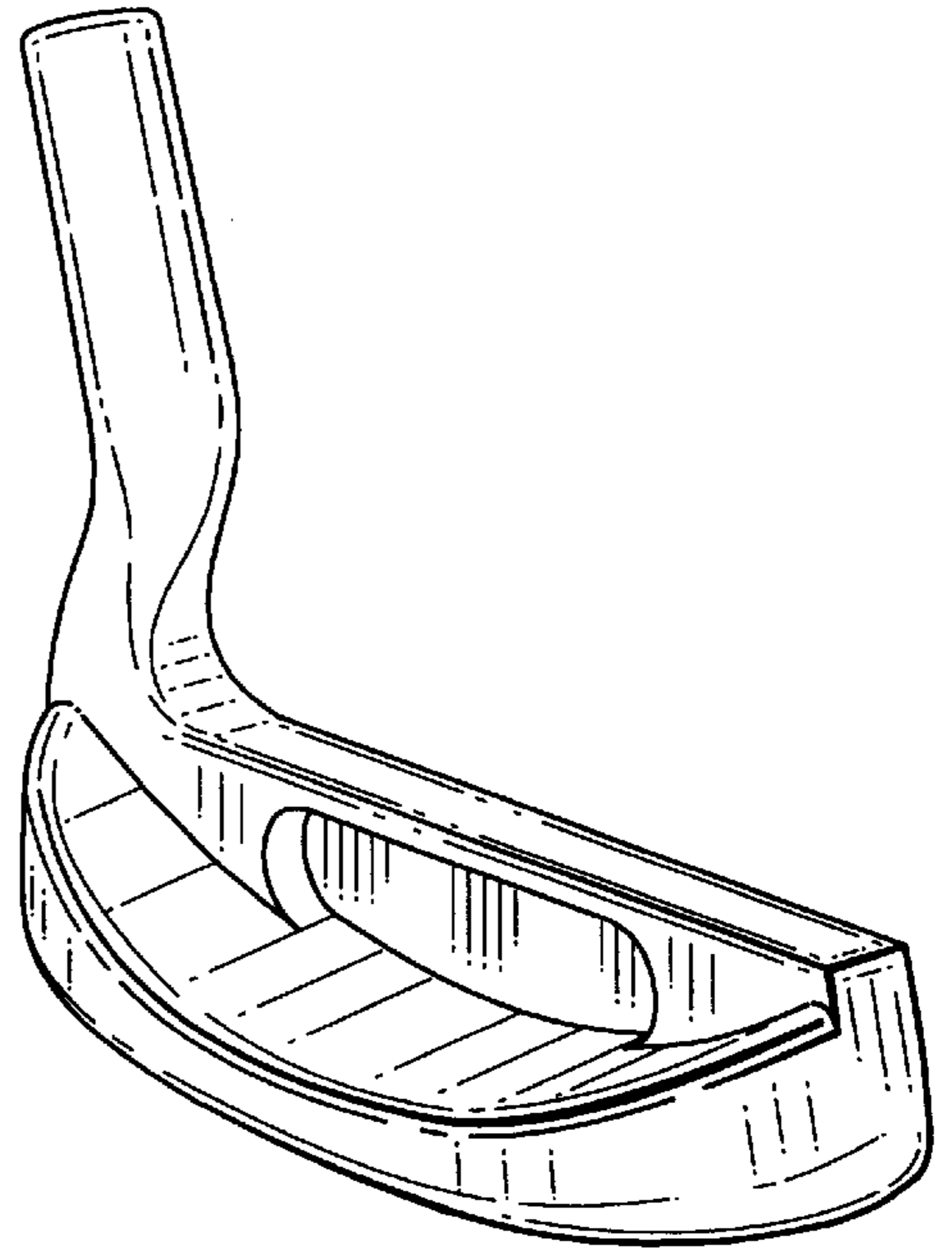


Fig. 1

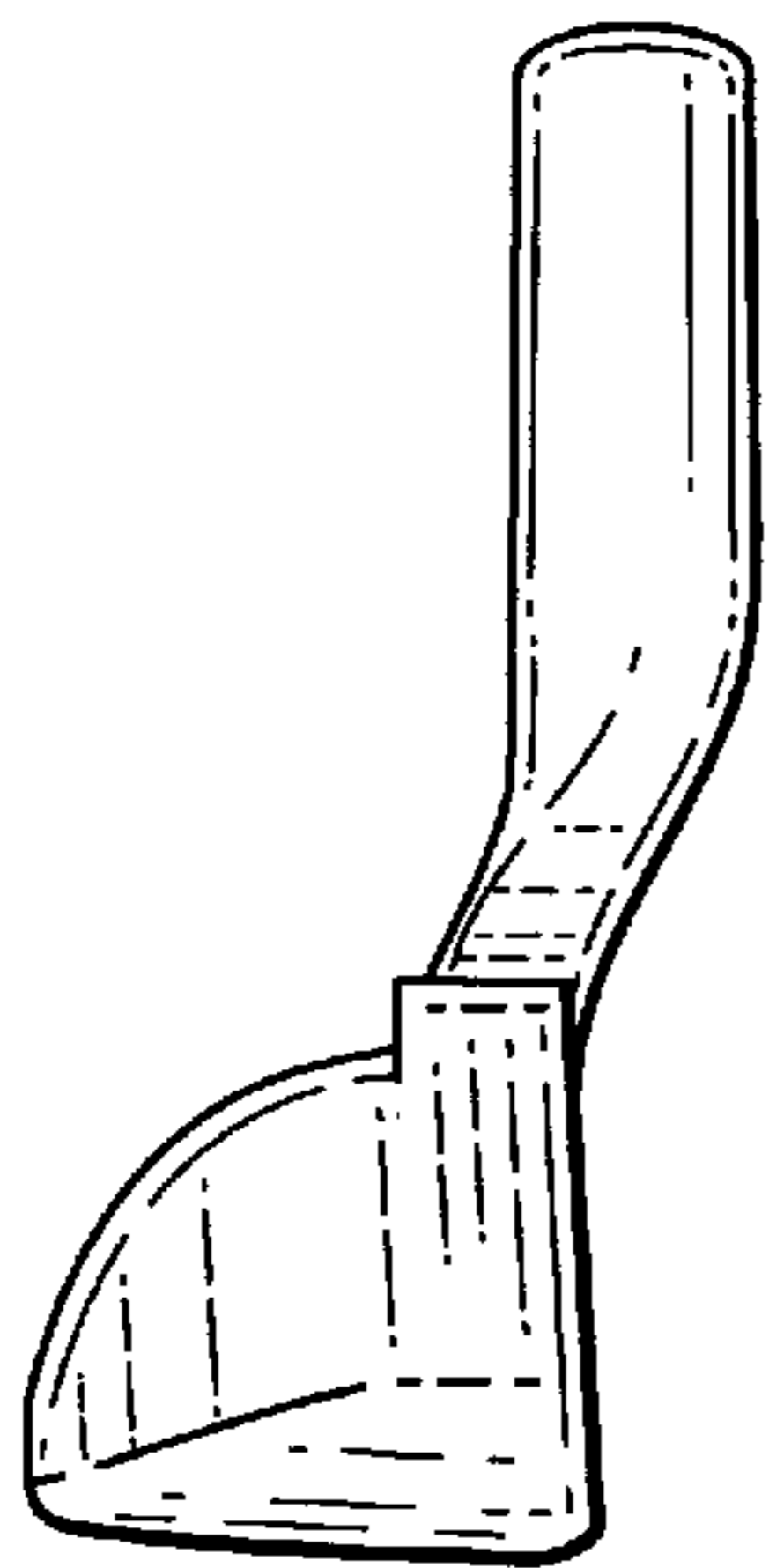


Fig. 4

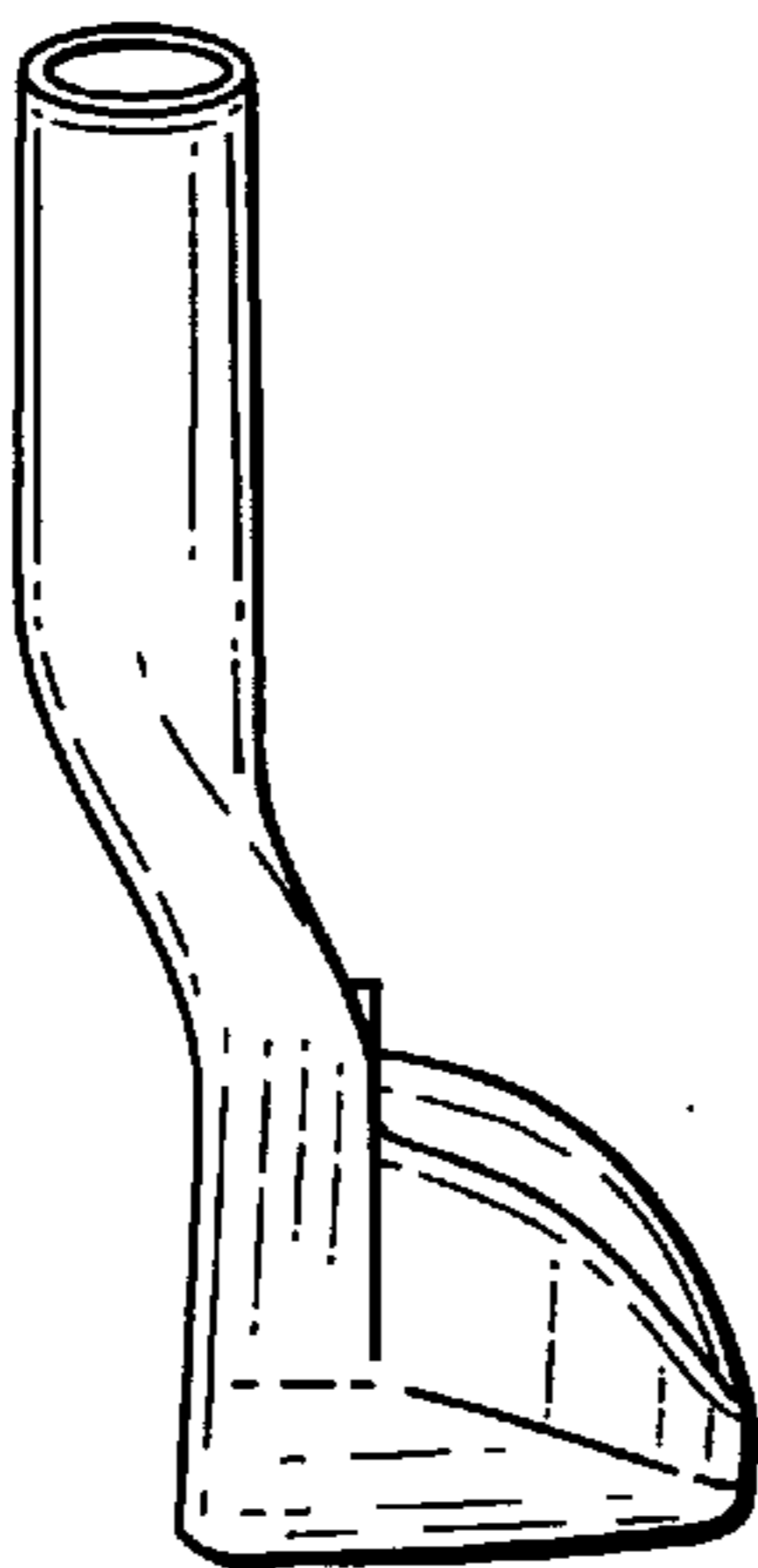


Fig. 5

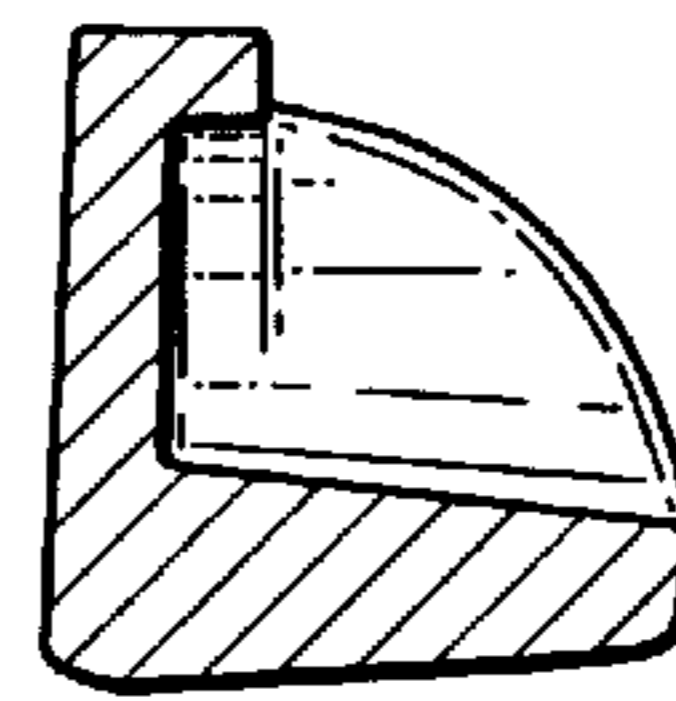


Fig. 8

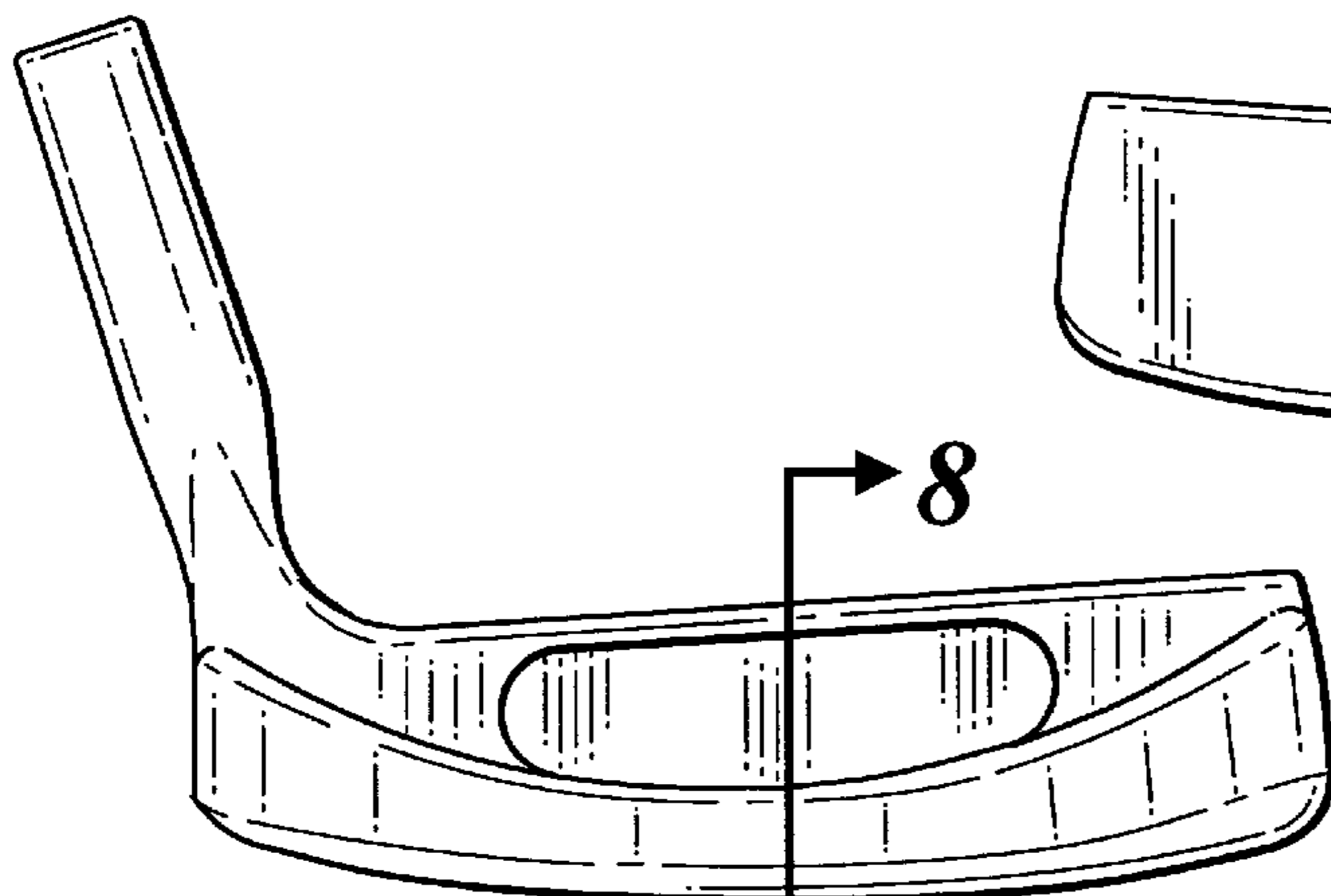


Fig. 6

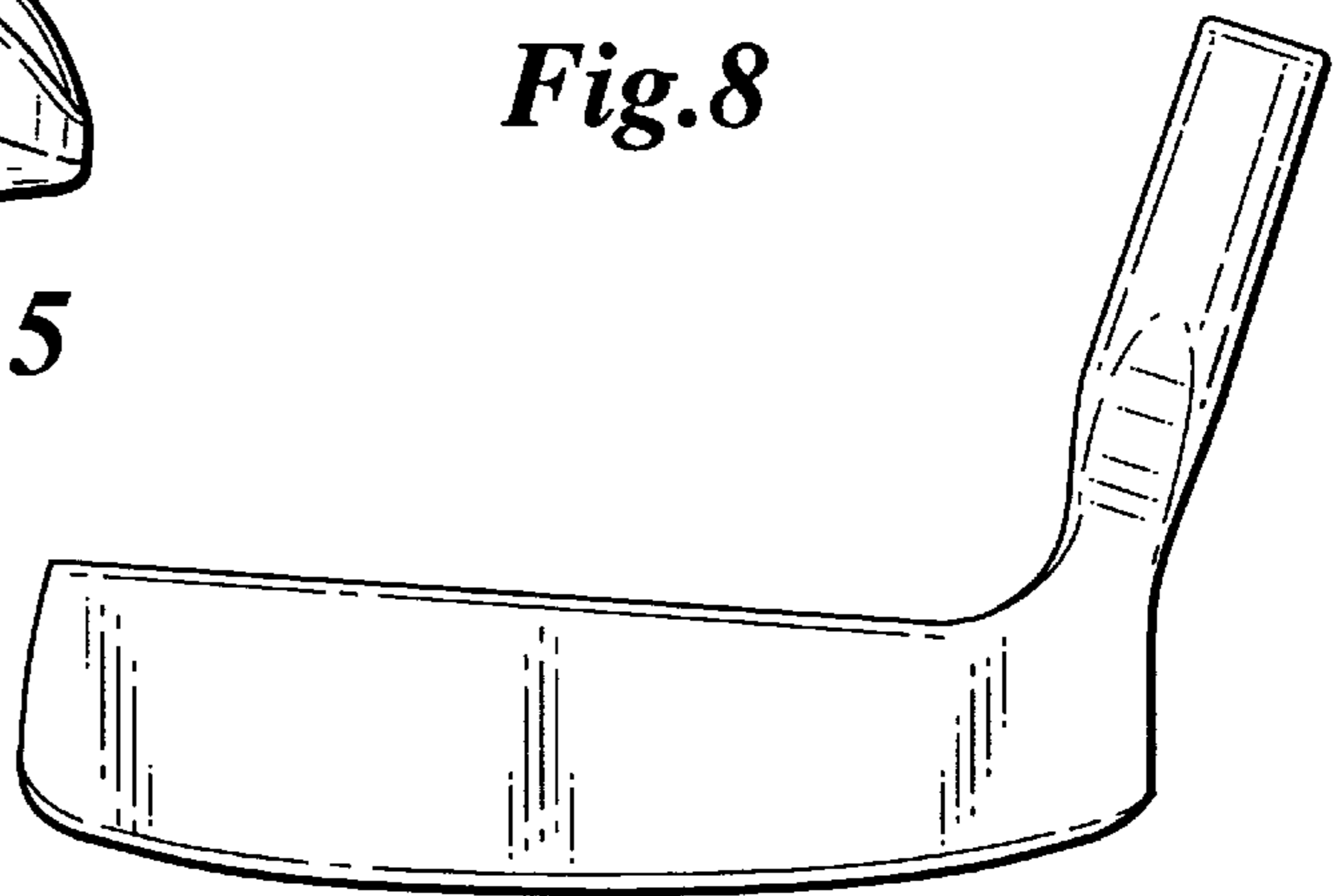


Fig. 7