



US00D405832S

# United States Patent [19] Bolden

[11] **Patent Number: Des. 405,832**

[45] **Date of Patent: \*\*Feb. 16, 1999**

[54] **ACCORDION FILE WITH ERASABLE BACKING**

[76] Inventor: **Rita H. Bolden, 5558 B St. SE., Washington, D.C. 20019**

[\*\*] Term: **14 Years**

[21] Appl. No.: **90,251**

[22] Filed: **Jul. 2, 1998**

[51] **LOC (6) Cl. .... 19-02**

[52] **U.S. Cl. .... D19/90; D19/75; D19/91; D19/86; D3/303**

[58] **Field of Search .... D3/303; D19/26, D19/27, 32, 33, 65, 75, 86, 90, 91, 99, 100; 229/68.1, 67.1, 67.3, 67.4, 70, 71, 72, 928, 929; 493/917, 220, 918, 947; 312/184; 281/28, 45**

[56] **References Cited**

**U.S. PATENT DOCUMENTS**

D. 379,198	5/1997	Dowda	.....	D19/3
757,596	4/1904	Bushnell, Jr.	.....	229/67.3
1,956,325	4/1934	Hart	.....	229/67.3
1,968,165	7/1934	Olm	.....	493/220
4,274,577	6/1981	Walsh, Jr.	.....	229/67.3
4,535,930	8/1985	Ward	.	
4,638,940	1/1987	Skokos et al.	.	

4,867,319	9/1989	Arner et al.	.....	312/184 X
4,934,587	6/1990	McNabb	.....	229/71
5,226,676	7/1993	Su	.	
5,285,952	2/1994	Ho	.....	281/28 X
5,342,467	8/1994	Corey	.....	493/918 X
5,648,143	7/1997	Mehta et al.	.	
5,676,466	10/1997	Lindenbeck	.	

**FOREIGN PATENT DOCUMENTS**

1115530	4/1956	France	.
2450204	9/1980	France	.

*Primary Examiner*—Martie Thompson  
*Attorney, Agent, or Firm*—Richard C. Litman

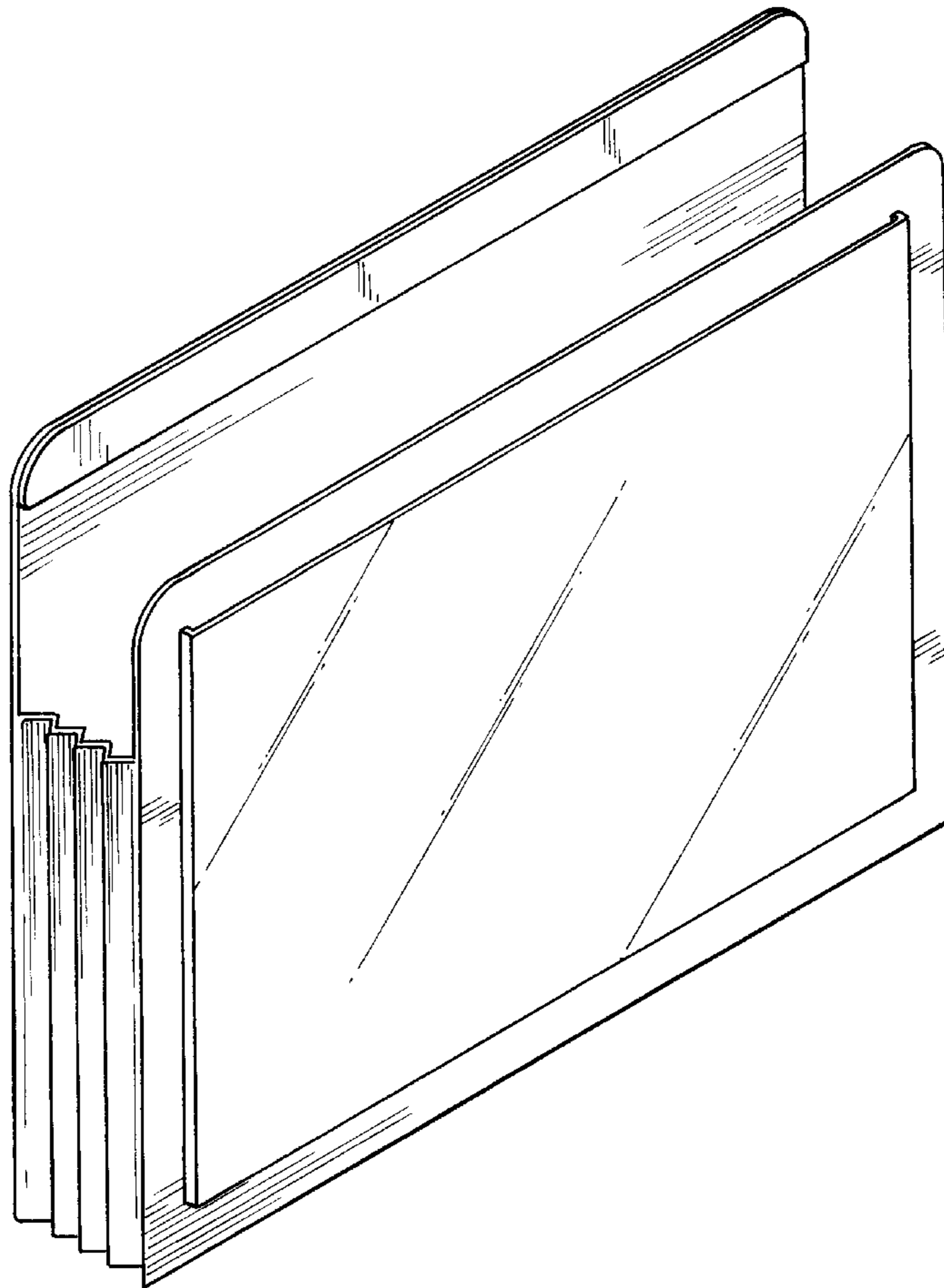
[57] **CLAIM**

The ornamental design for a accordion file with erasable backing, as shown and described.

**DESCRIPTION**

FIG. 1 is a perspective view of an accordion file with erasable backing showing my new design; FIG. 2 is a right side elevational view with the left side being a mirror image thereof; FIG. 3 is a front elevational view thereof; FIG. 4 is a rear elevational view thereof; FIG. 5 is a top view thereof; and, FIG. 6 is a bottom view thereof.

**1 Claim, 4 Drawing Sheets**



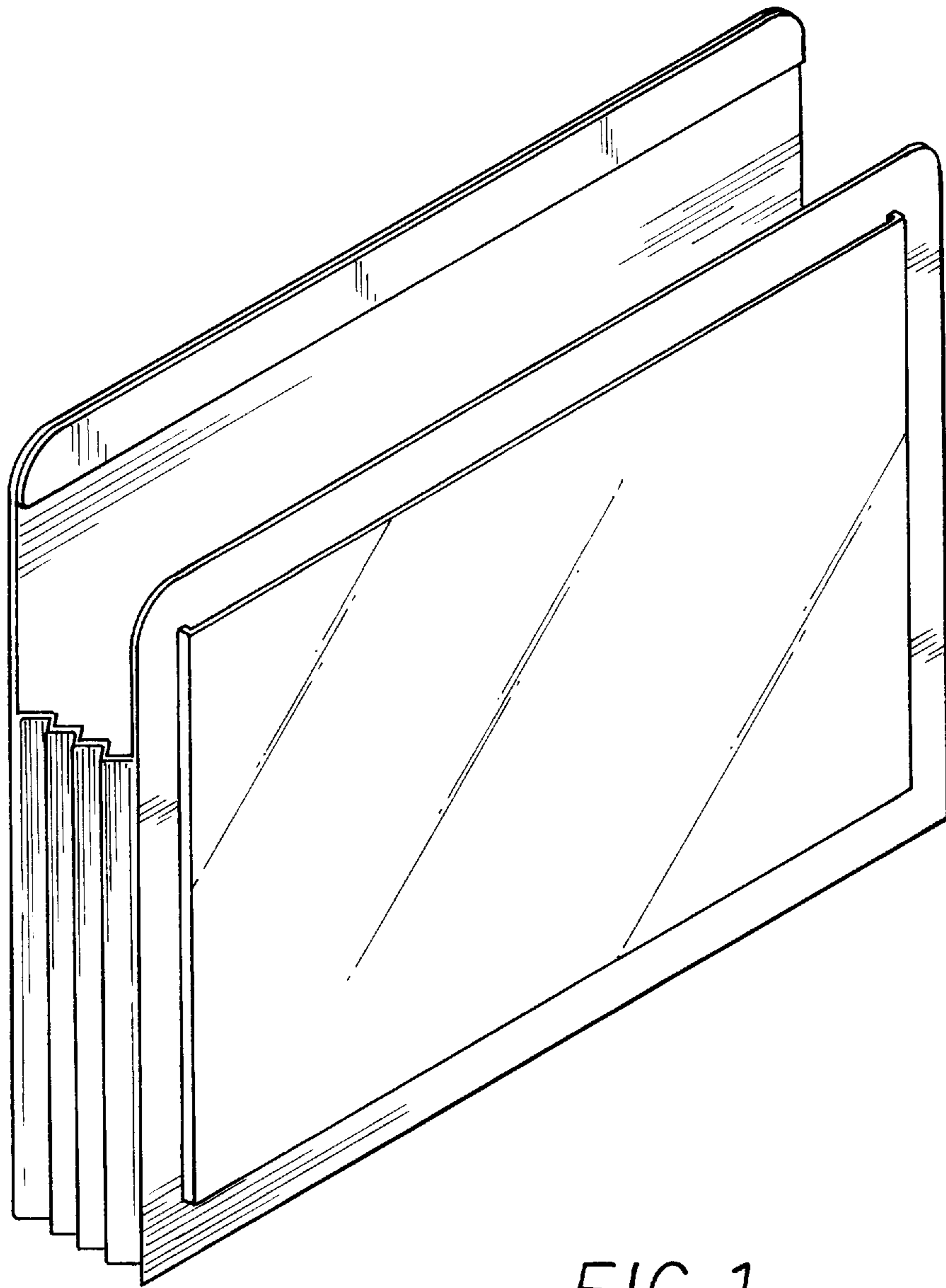


FIG. 1

FIG. 2

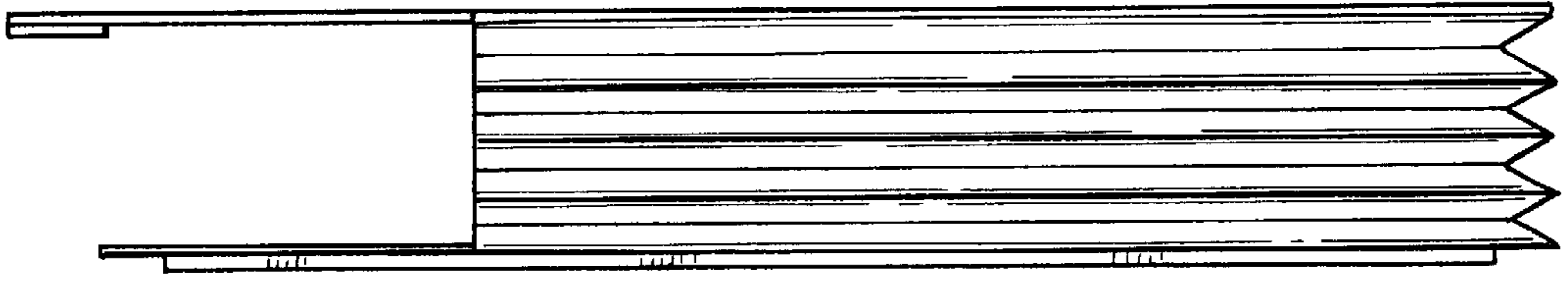


FIG. 3

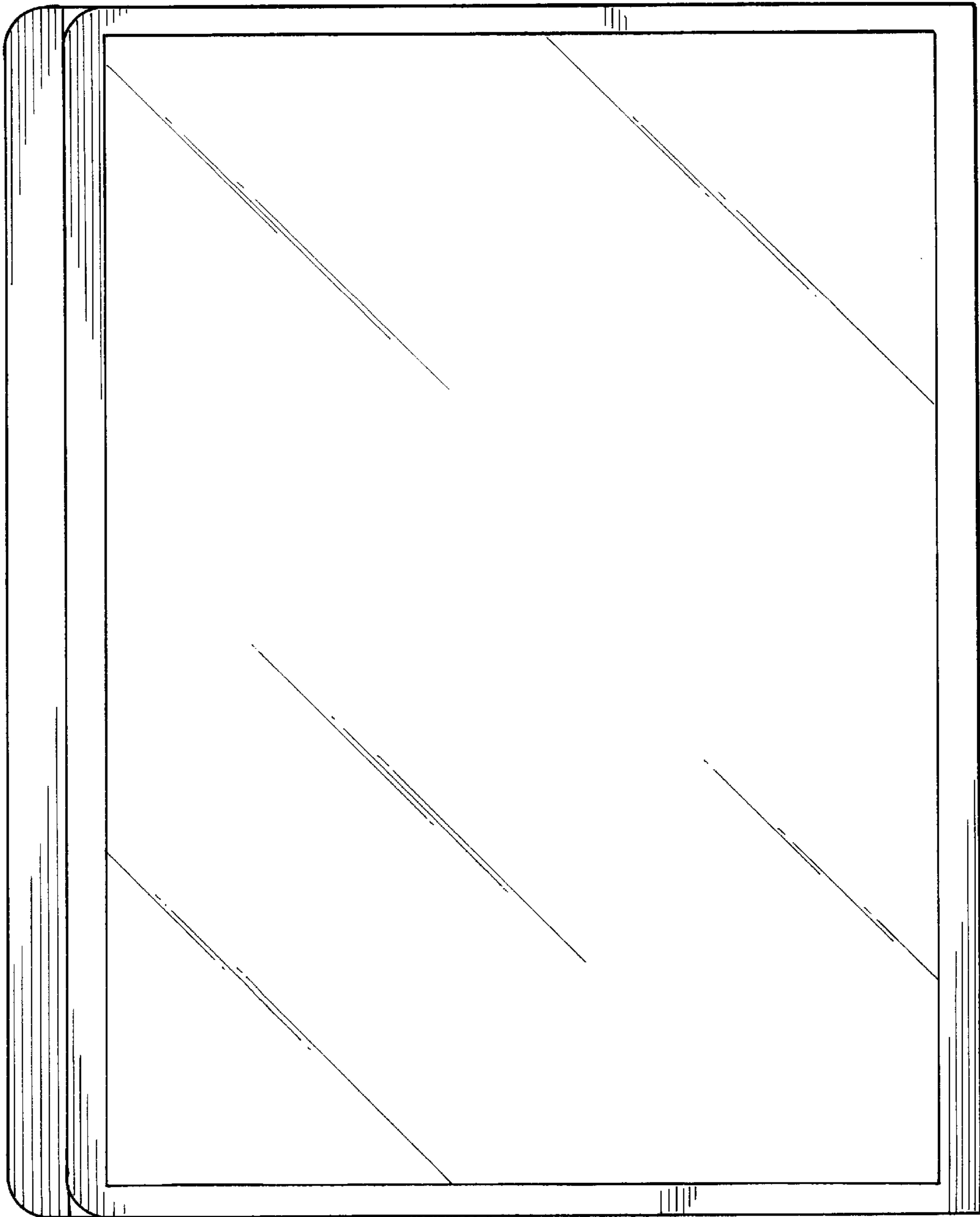
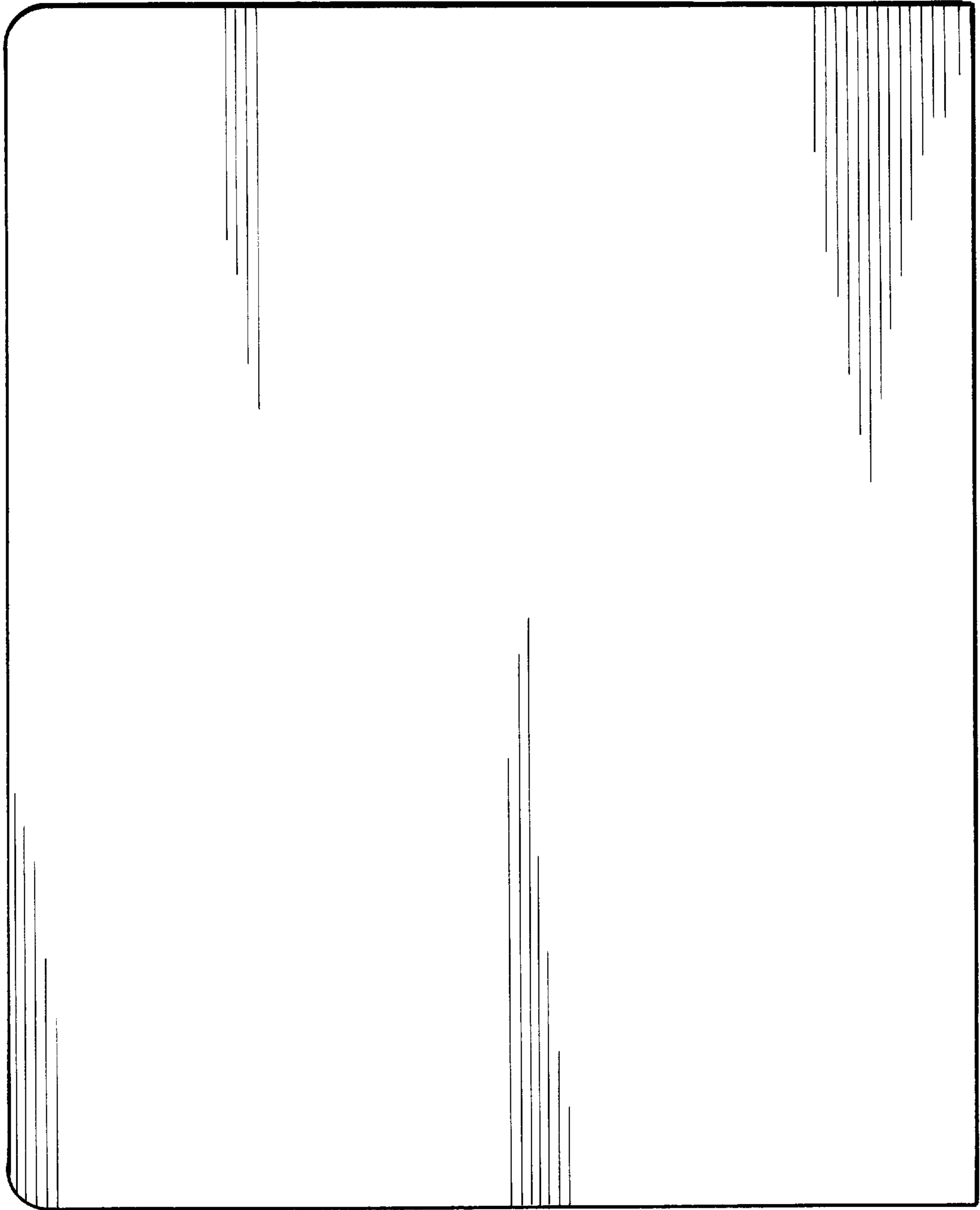


FIG. 4



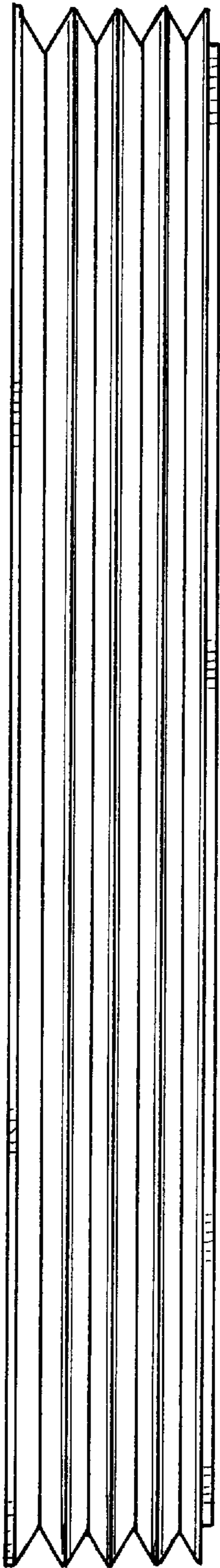


FIG. 6

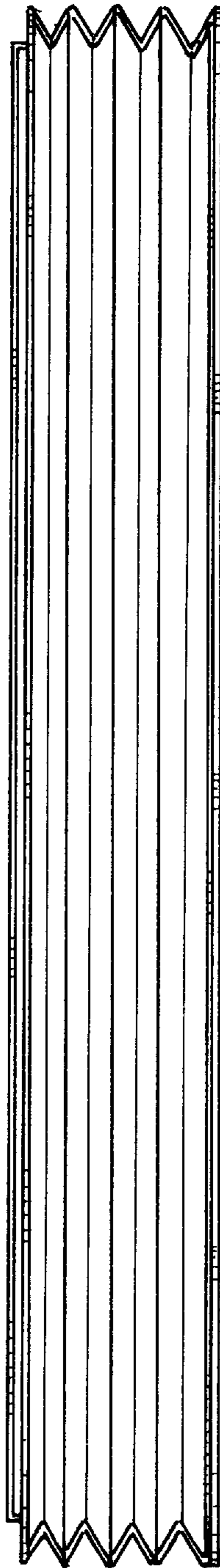


FIG. 5