



US00D405830S

United States Patent [19] Mak

[11] **Patent Number: Des. 405,830**

[45] **Date of Patent: **Feb. 16, 1999**

[54] **ELECTRIC PENCIL SHARPENER**

[76] Inventor: **King Bui Mak**, Room A 12, 5/F., Block A2, Yau Tong Ind City, 17 Ko Fai Road, Yau Tong, Kowloon, Hong Kong

[**] Term: **14 Years**

[21] Appl. No.: **84,617**

[22] Filed: **Mar. 6, 1998**

[51] **LOC (6) Cl.** **19-06**

[52] **U.S. Cl.** **D19/72; D19/65**

[58] **Field of Search** D19/65, 72, 73, D19/74, 95, 99, 100; D8/102, 103, 104; 30/451-457, 459; 144/28.1-28.9, 28.71, 28.72, 28.11

[56] **References Cited**

U.S. PATENT DOCUMENTS

- D. 152,554 2/1949 May D19/73
- D. 250,035 10/1978 Kajiwara D19/73
- D. 251,008 2/1979 Kajiwara D19/73

- D. 320,812 10/1991 Vuen D19/65 X
- D. 324,700 3/1992 Shimoo et al. D19/73
- D. 354,987 1/1995 Yuen D19/73
- 3,059,617 10/1962 Swimmer et al. 144/28.4
- 4,601,316 7/1986 Verdi 144/28.72

Primary Examiner—Martie K. Holtje
Attorney, Agent, or Firm—Hall, Priddy & Myers; Robert R. Priddy

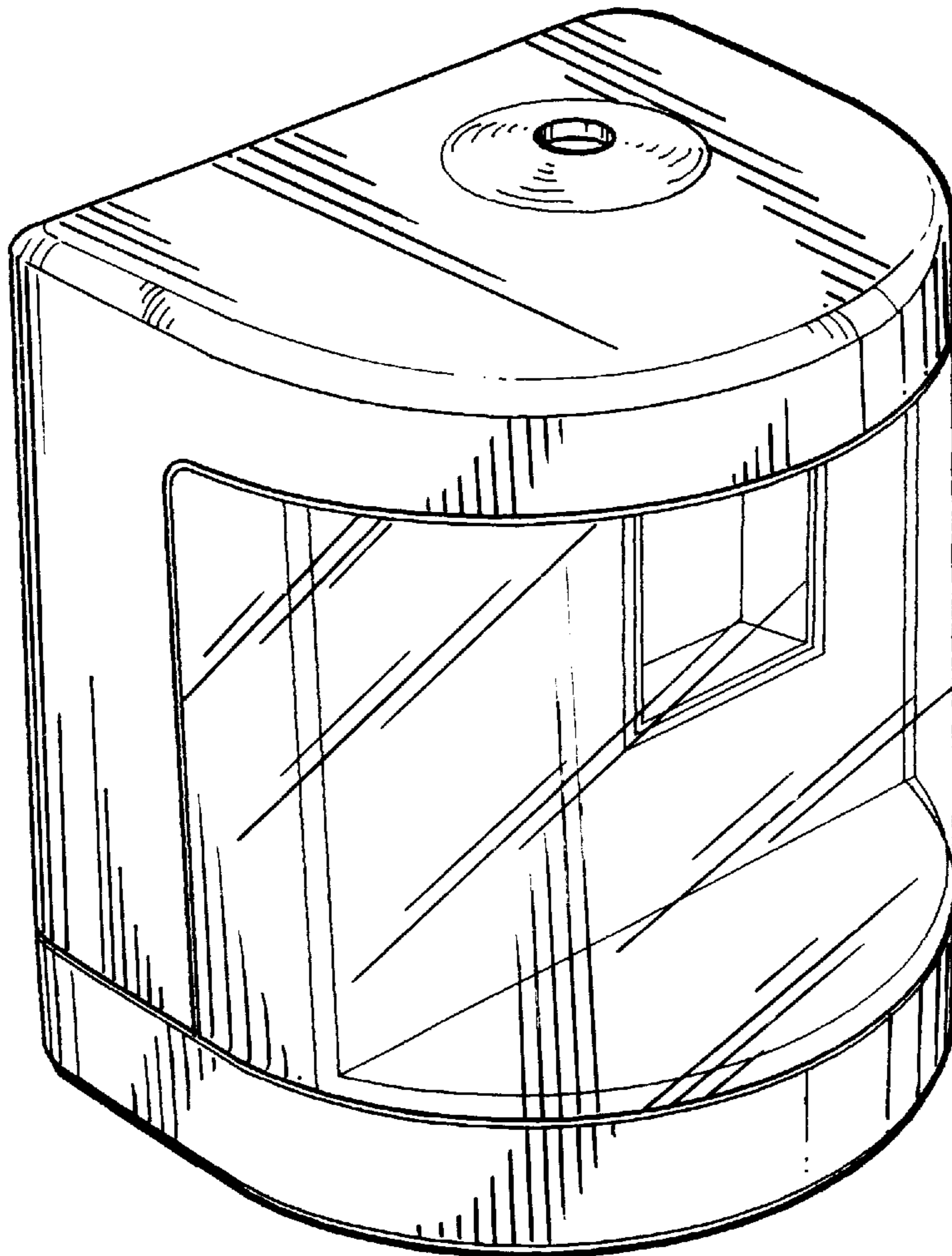
[57] **CLAIM**

The ornamental design for an electric pencil sharpener, as shown.

DESCRIPTION

FIG. 1 is a top plan view;
FIG. 2 is a front view;
FIG. 3 is a bottom plan view;
FIG. 4 is a rear view;
FIG. 5 is a left side view;
FIG. 6 is a right side view; and,
FIG. 7 is a perspective view.

1 Claim, 4 Drawing Sheets



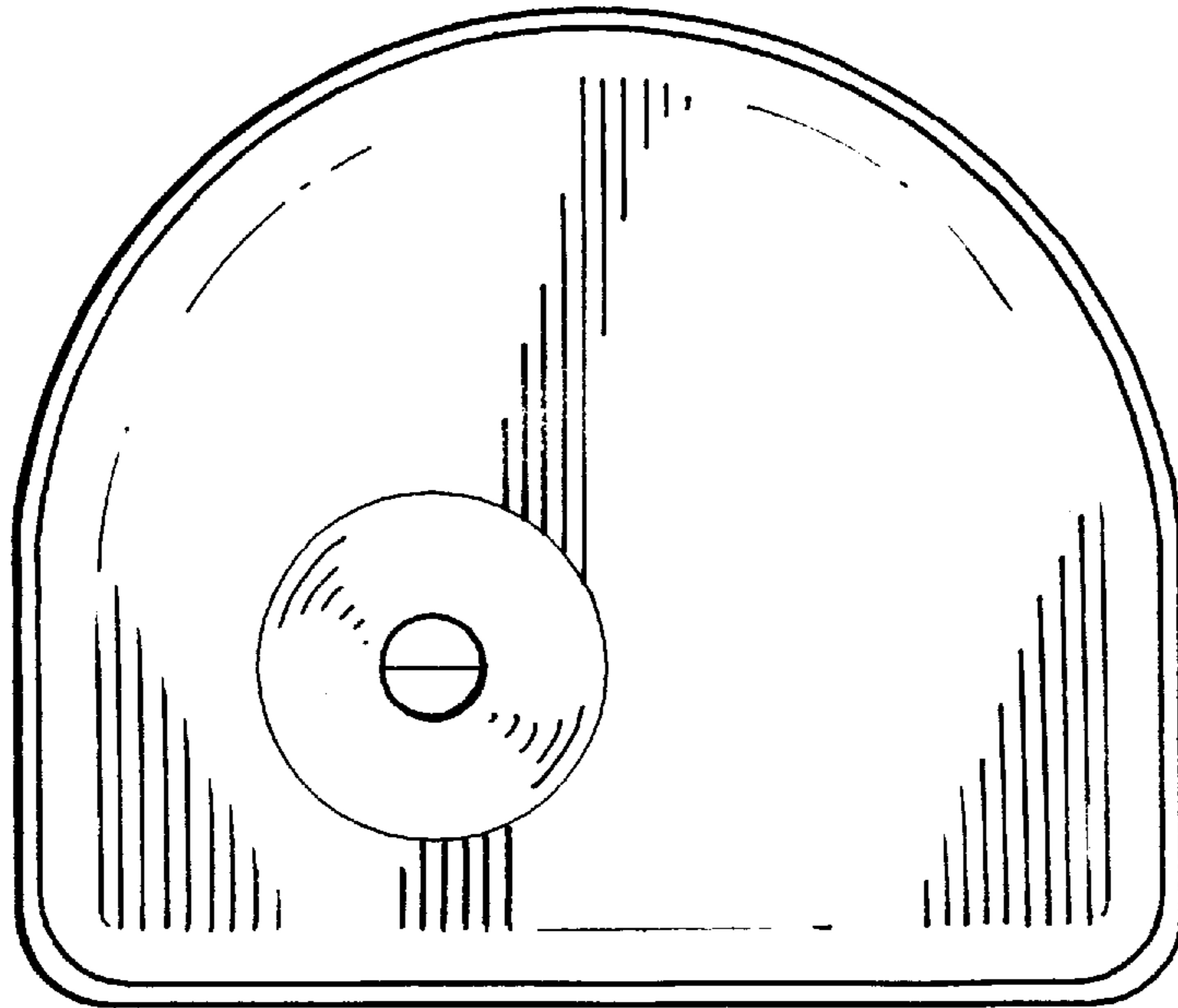


Figure 1

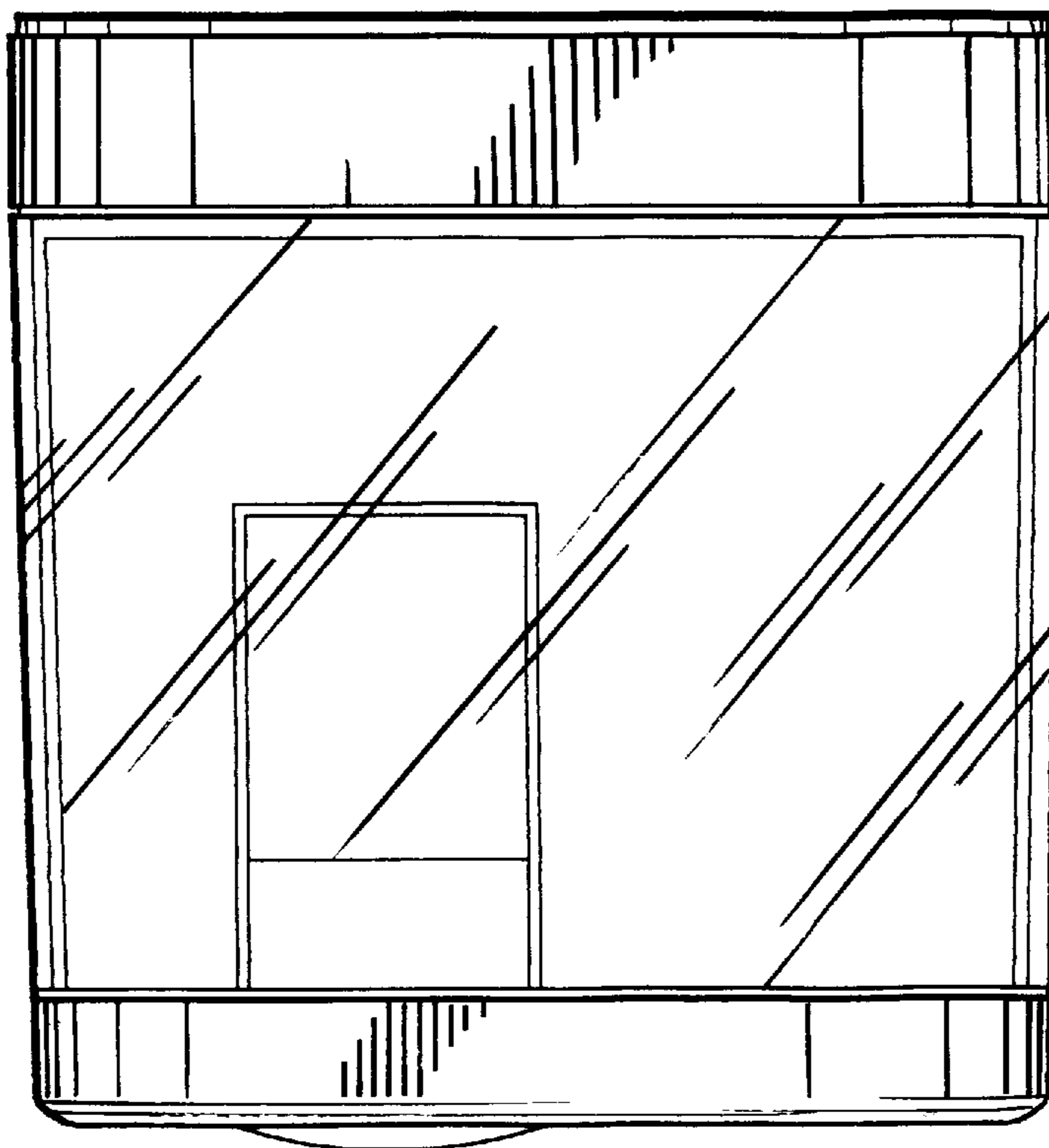


Figure 2

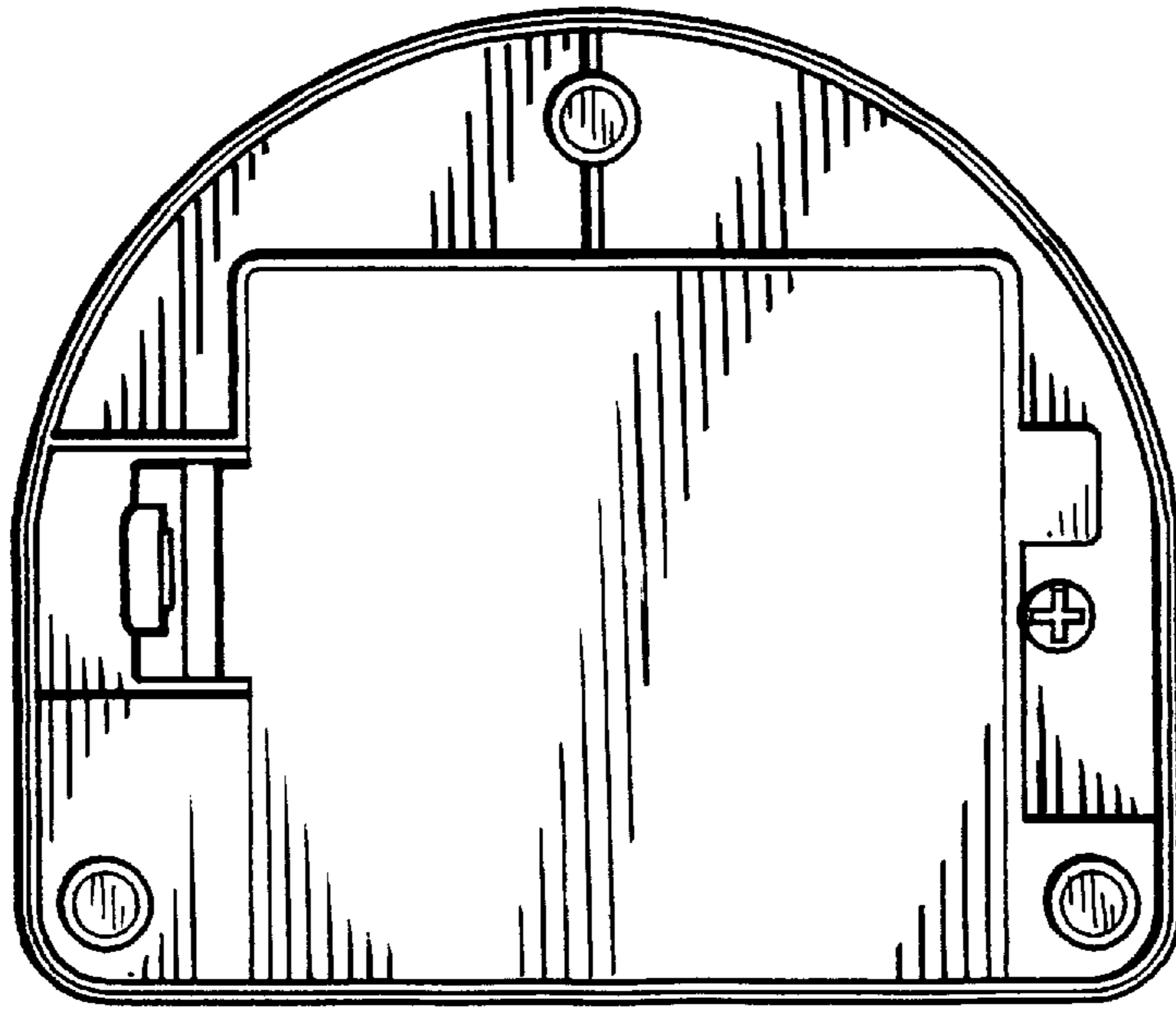


Figure 3

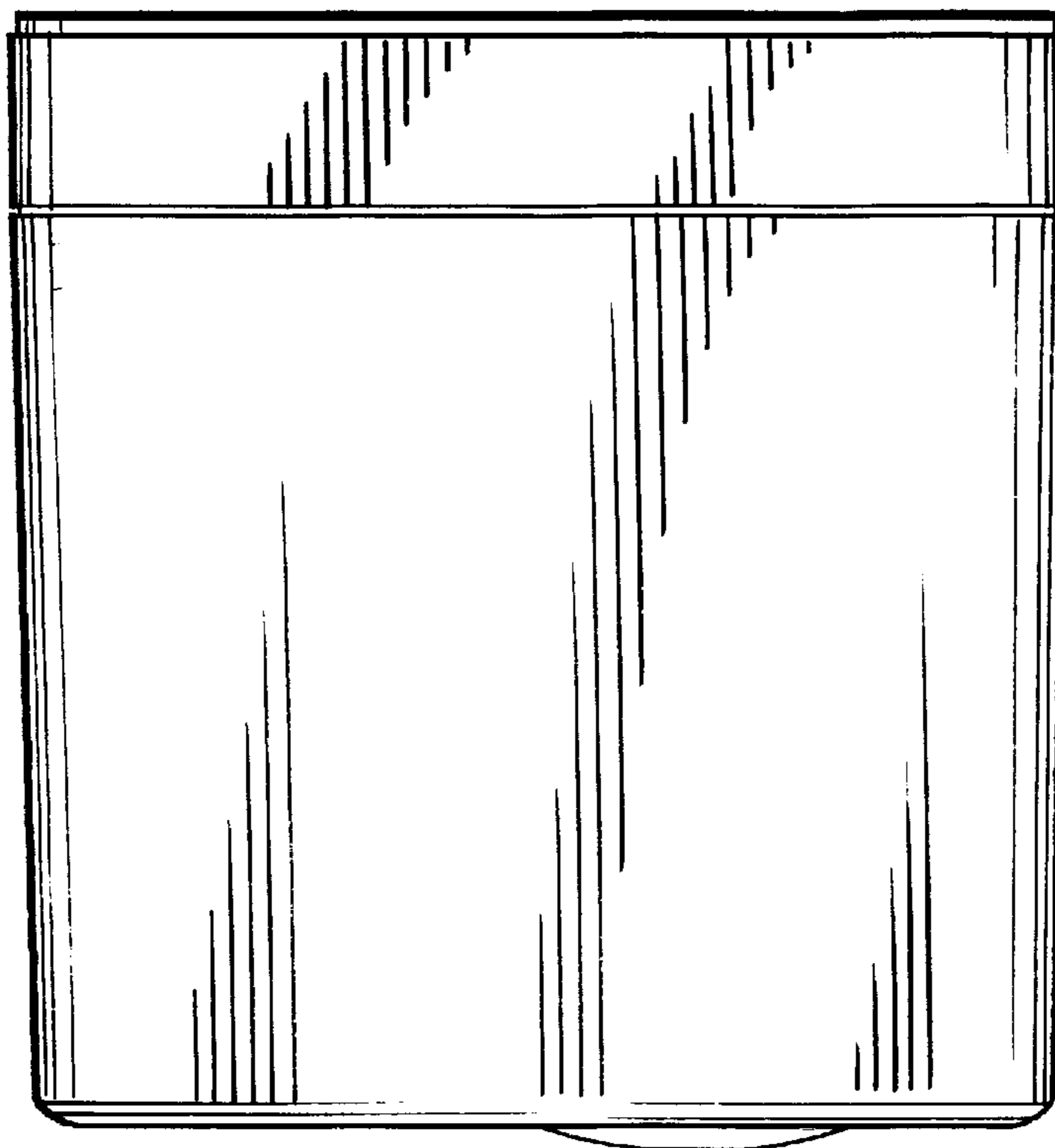


Figure 4

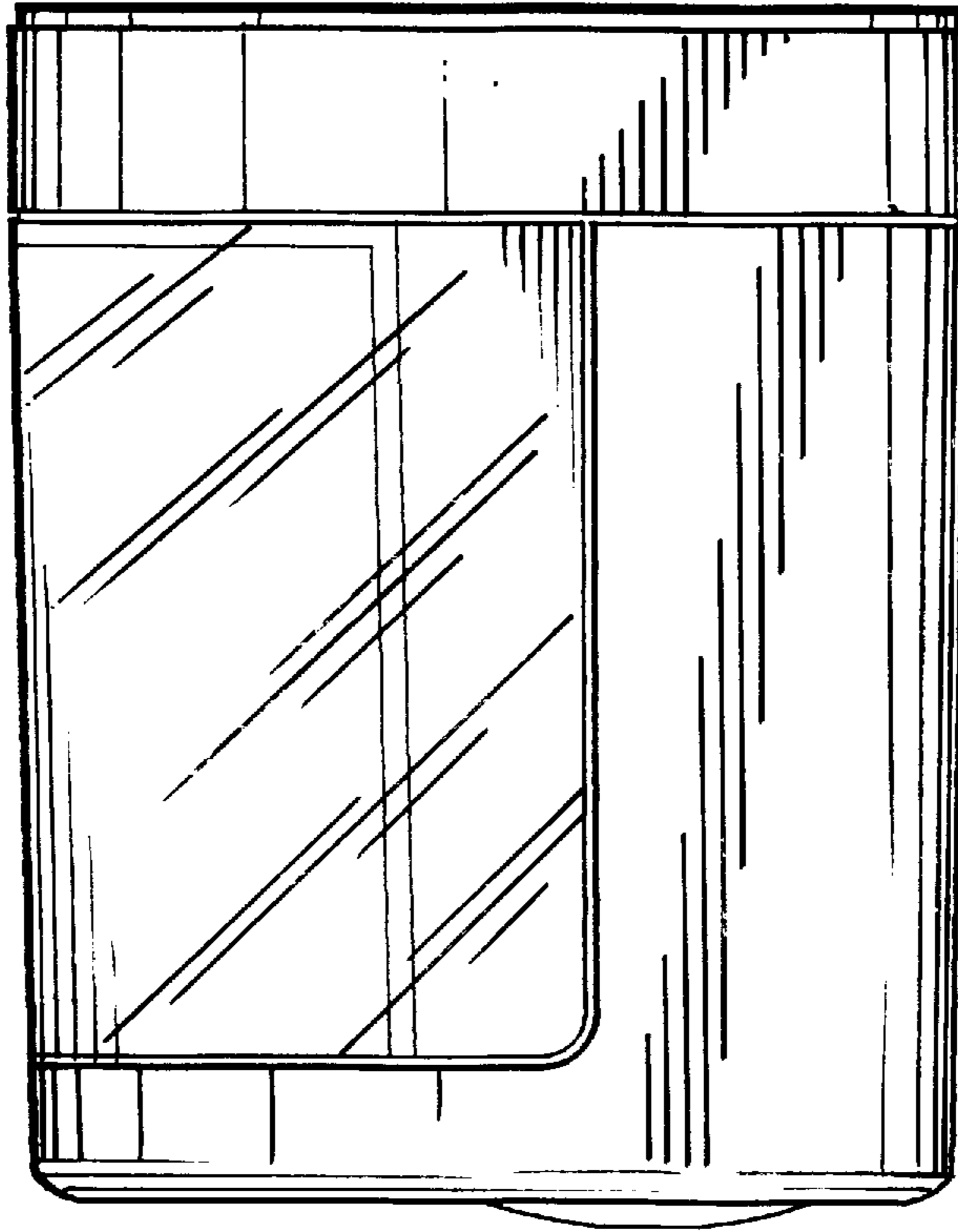


Figure 5

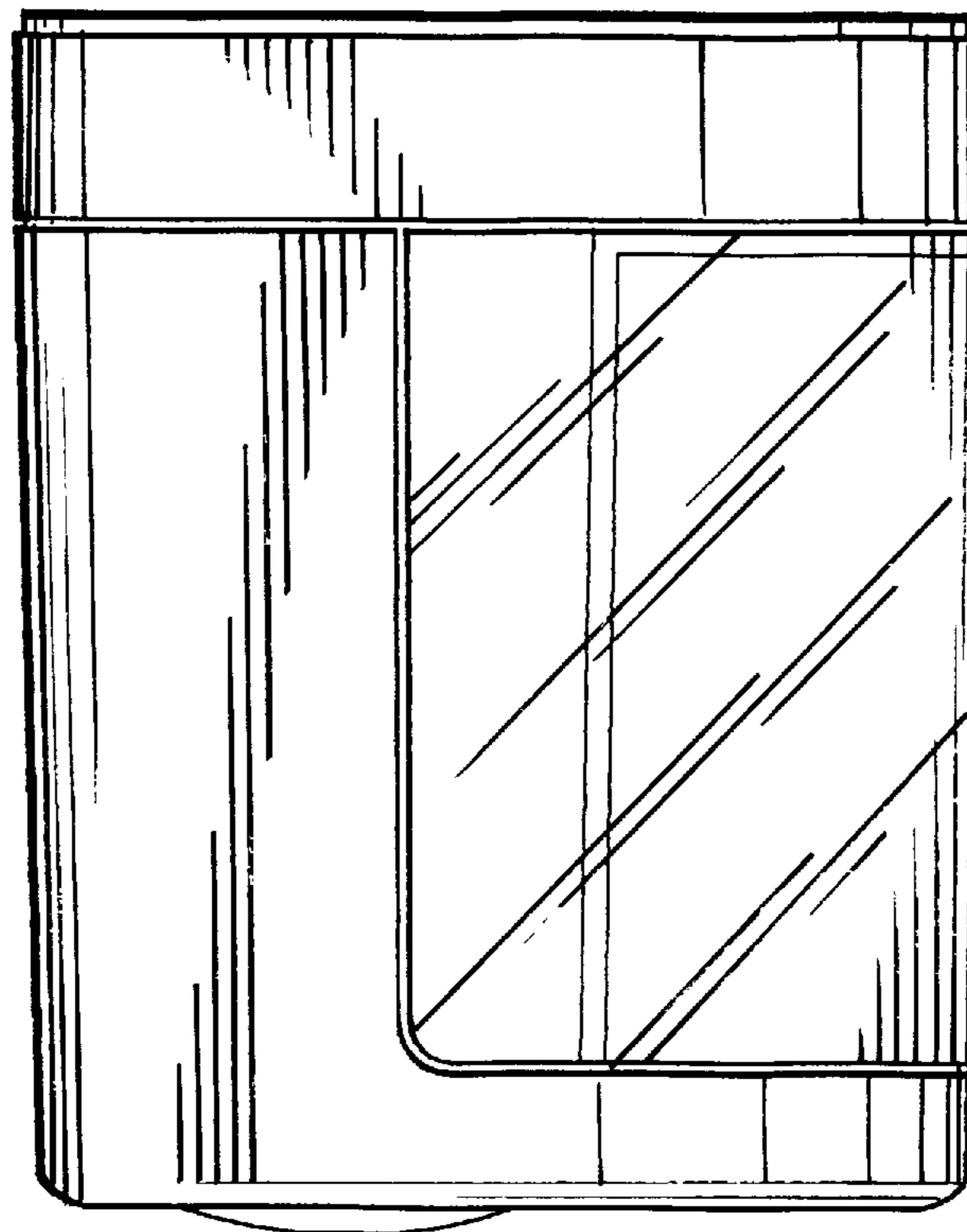


Figure 6

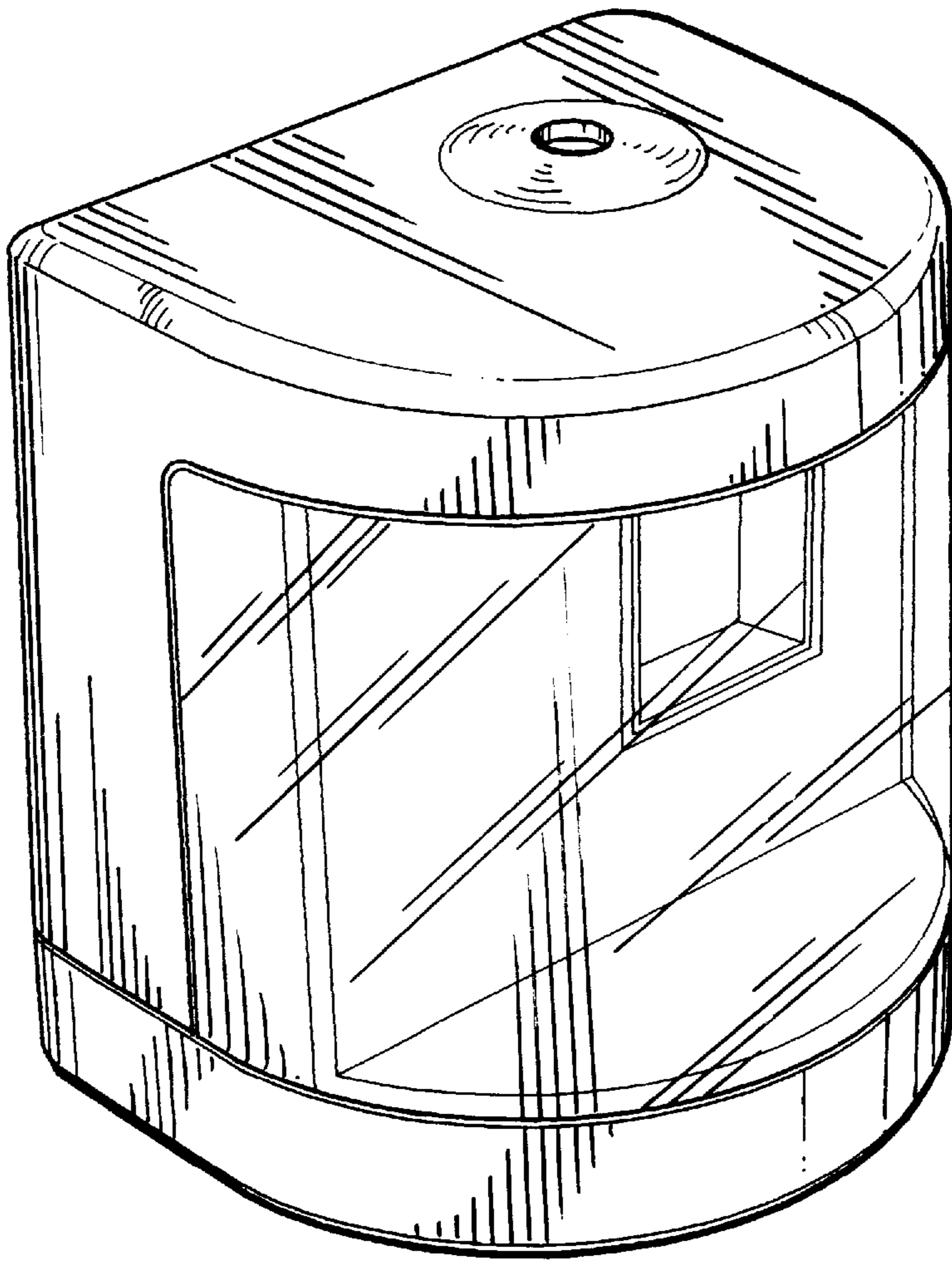


Figure 7