



US00D405828S

United States Patent [19]
Richter

[11] **Patent Number: Des. 405,828**

[45] **Date of Patent: **Feb. 16, 1999**

[54] **SLIP CLIP**

3,262,579 7/1966 Reich 211/45
3,434,686 3/1969 Aoi 248/316.3
4,085,848 4/1978 Tsuge 211/45

[76] Inventor: **Herbert Richter**, Drosseweg 8, 75331
Engelbrand, Germany

[**] Term: **14 Years**

Primary Examiner—Martie Thompson
Attorney, Agent, or Firm—Klaus J. Bach

[21] Appl. No.: **68,576**

[57] **CLAIM**

[22] Filed: **Mar. 24, 1997**

The ornamental design for a slip clip, as shown and described.

[51] **LOC (6) Cl.** **19-06**

DESCRIPTION

[52] **U.S. Cl.** **D19/65; D19/83; D19/86;**
D19/90; D8/395; D8/396

[58] **Field of Search** D20/43; D8/349,
D8/373, 383, 395, 396; D19/36, 65–66,
75, 78, 86, 81–85, 90, 91, 99, 100; 211/50,
45, 89.01, 91, 69.1, 69.9; 281/42, 45; 248/214,
316.3; 24/67 R, 67.1, 67.9, 11 R, 11 PP

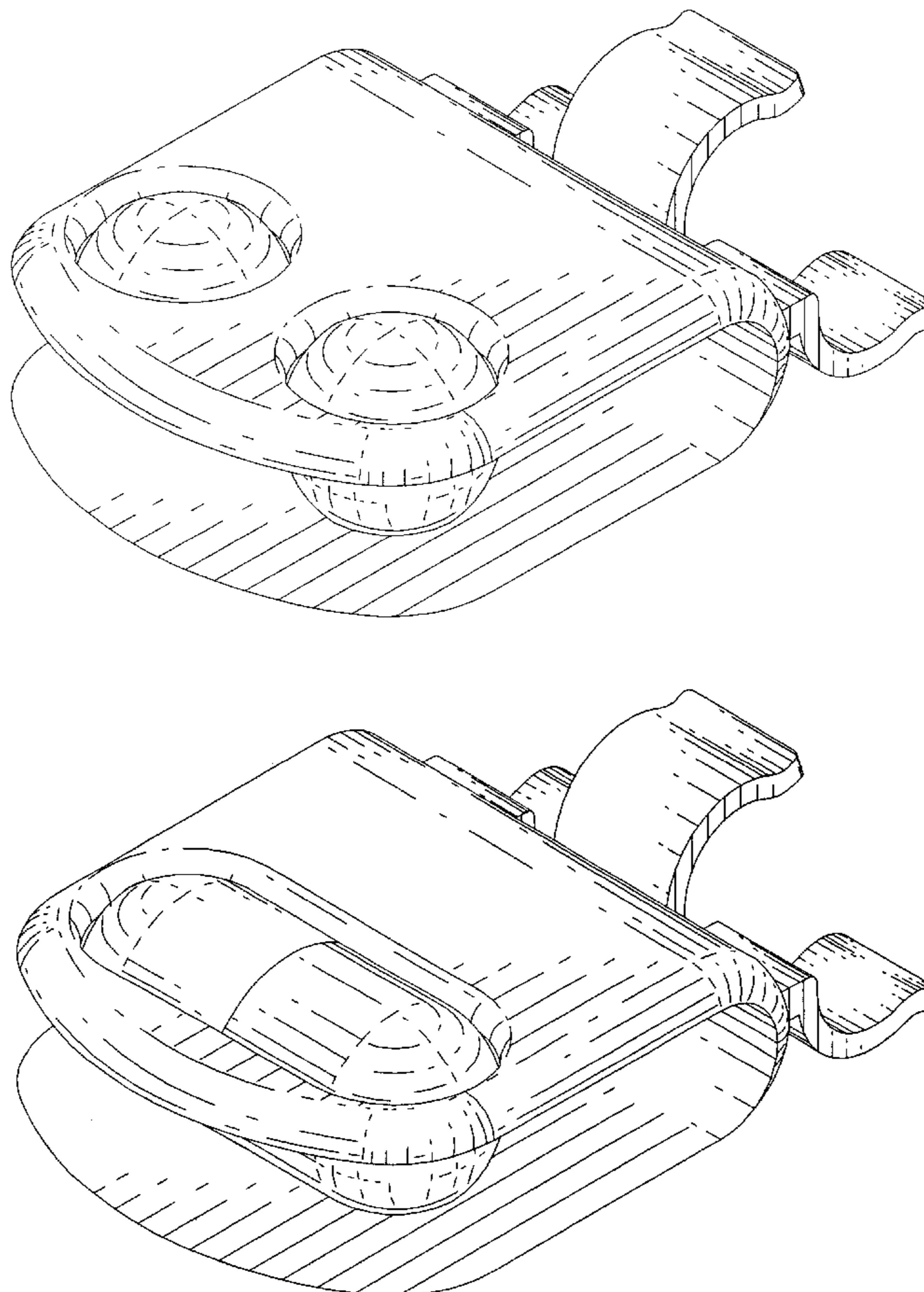
FIG. 1 is a perspective view of a slip clip showing my new design;
FIG. 2 is a front end view of the slip clip shown in FIG. 1;
FIG. 3 is a rear end view of the slip clip shown in FIG. 1;
FIG. 4 is a side view of the slip clip as seen from the left side of FIG. 3;
FIG. 5 is a top view of the slip clip shown in FIG. 1;
FIG. 6 is a bottom view of the slip clip shown in FIG. 1;
FIG. 7 is a perspective view of a second embodiment of my new design of FIG. 1;
FIG. 8 is a front end view of the slip clip shown in FIG. 7;
FIG. 9 is a rear end view of the slip clip shown in FIG. 7;
FIG. 10 is a side view of the slip clip as seen from the left side of FIG. 7;
FIG. 11 is a top view of the slip clip shown in FIG. 7; and,
FIG. 12 is a bottom view of the slip clip shown in FIG. 7.

[56] **References Cited**

U.S. PATENT DOCUMENTS

38,503	5/1863	Sackett	D19/66 X
D. 202,079	8/1965	Polk	D19/65
D. 205,923	10/1966	McCormick	D20/43
D. 281,393	11/1985	Karnhag et al.	D8/373
637,889	11/1899	Parker	24/11 PP X
803,464	10/1905	Beck	24/11 R X
1,417,009	5/1922	Woodward	211/45
2,377,488	6/1945	Fugazzi	248/316.3
2,521,604	9/1950	Provost	248/316.3

1 Claim, 4 Drawing Sheets



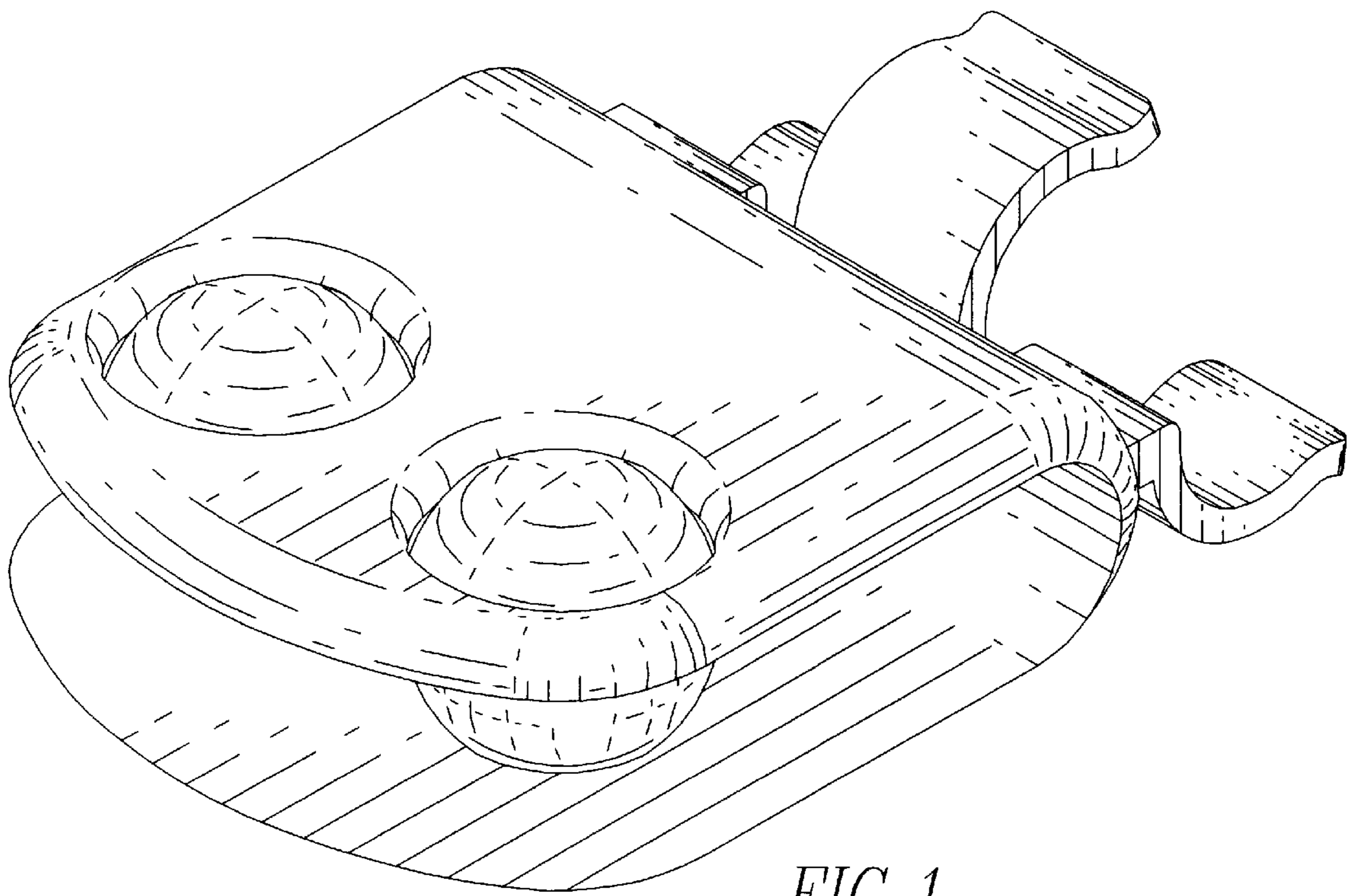


FIG. 1

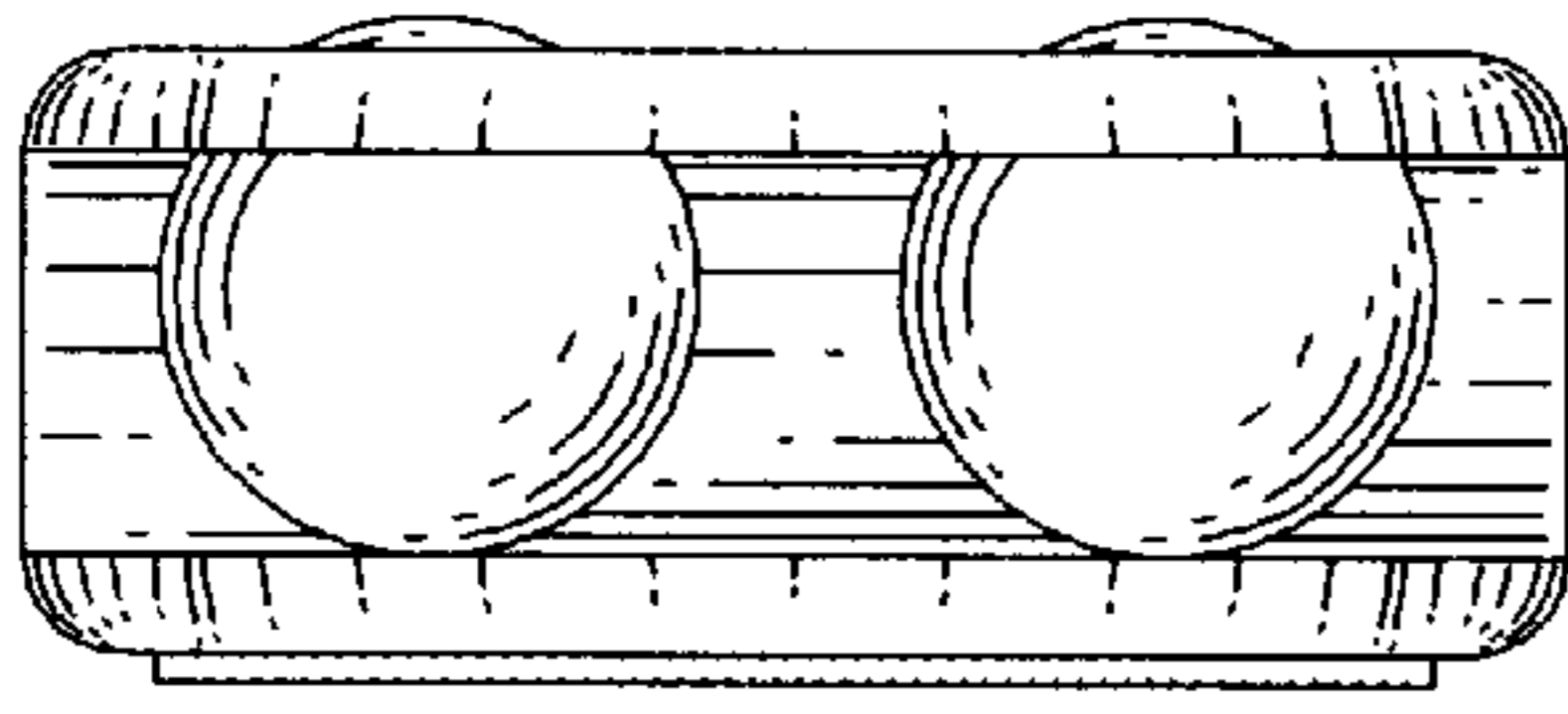


FIG. 2

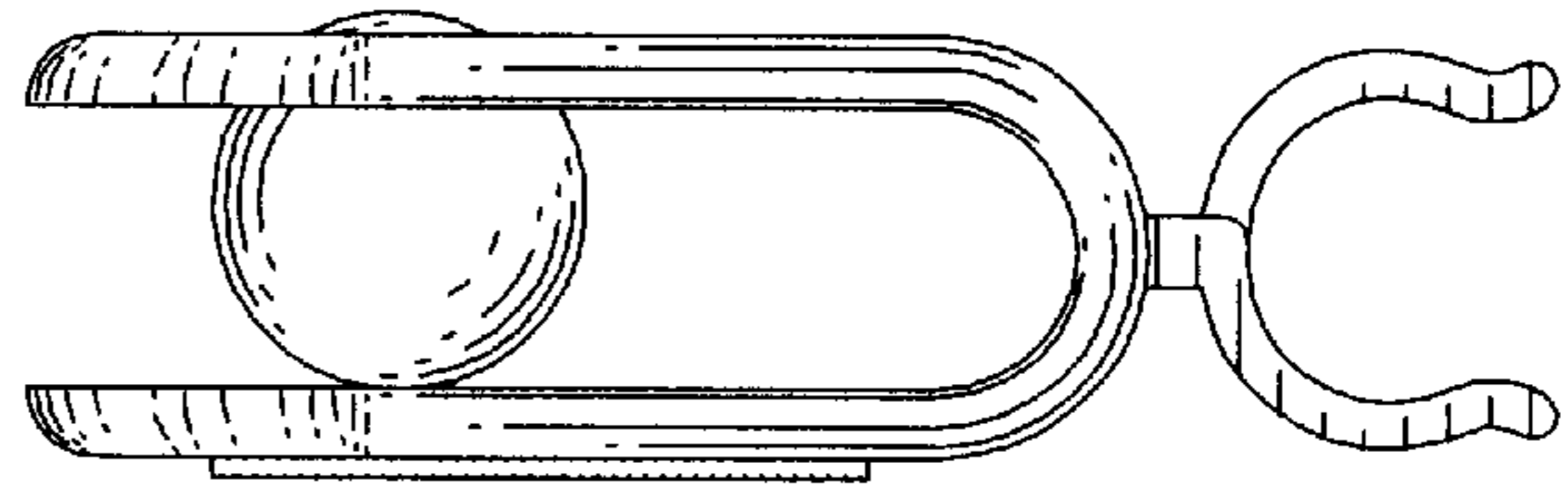


FIG. 4

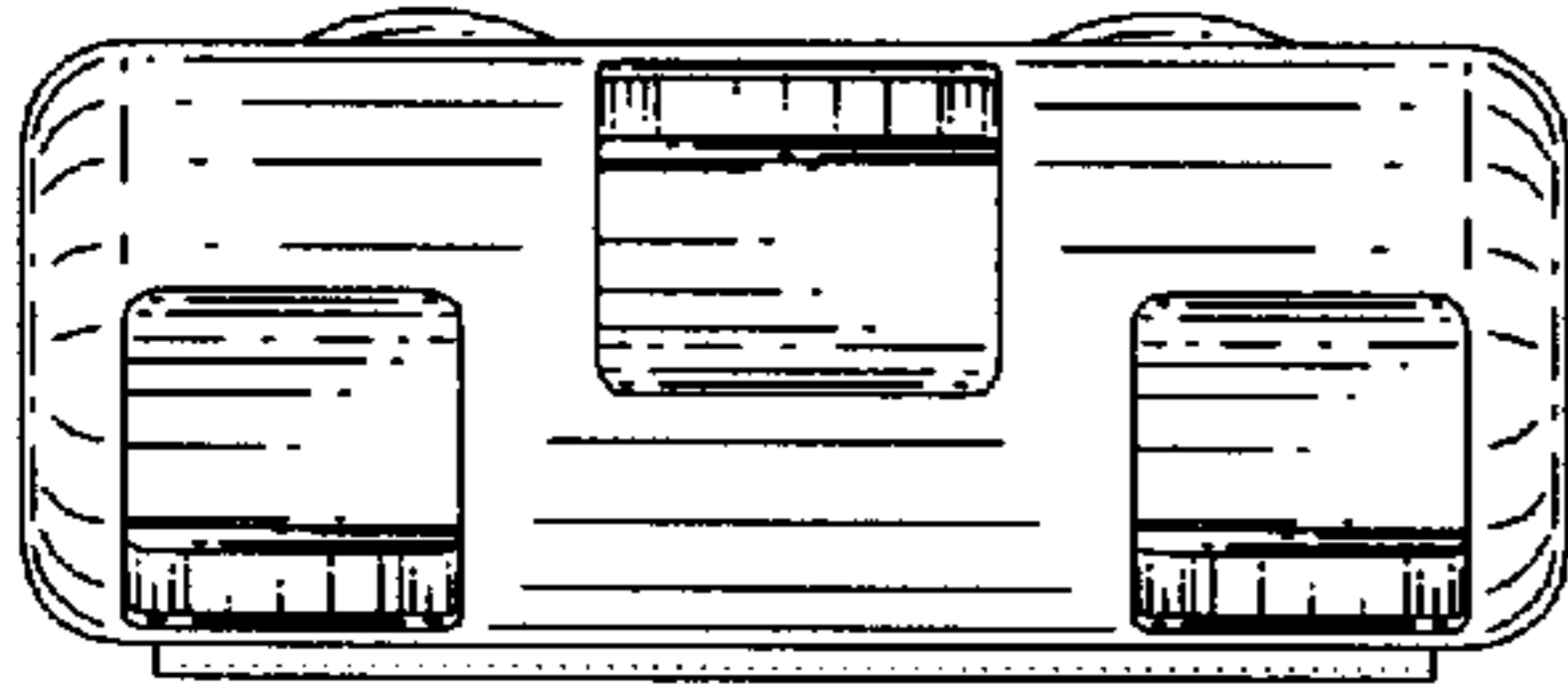


FIG. 3

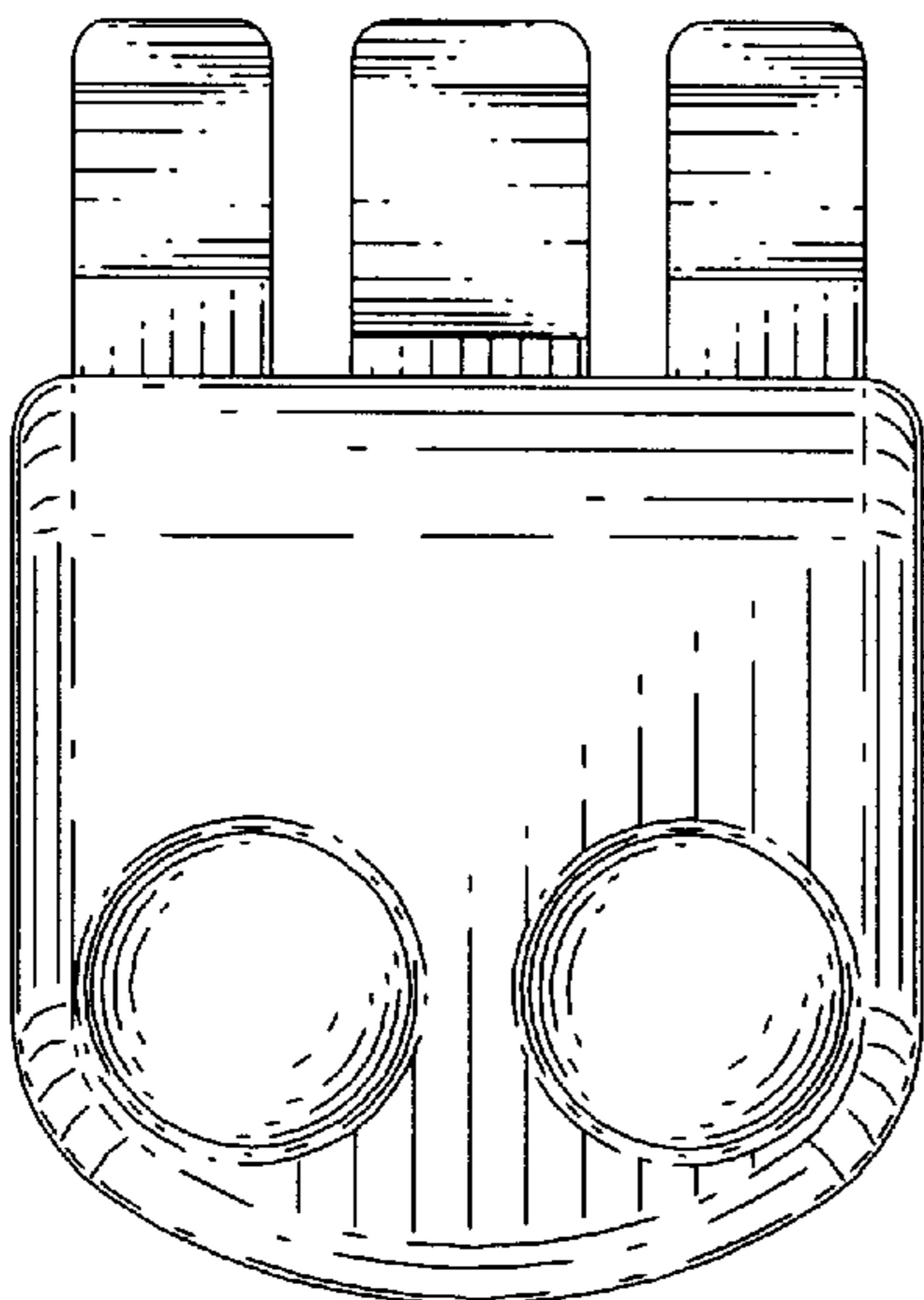


FIG. 5

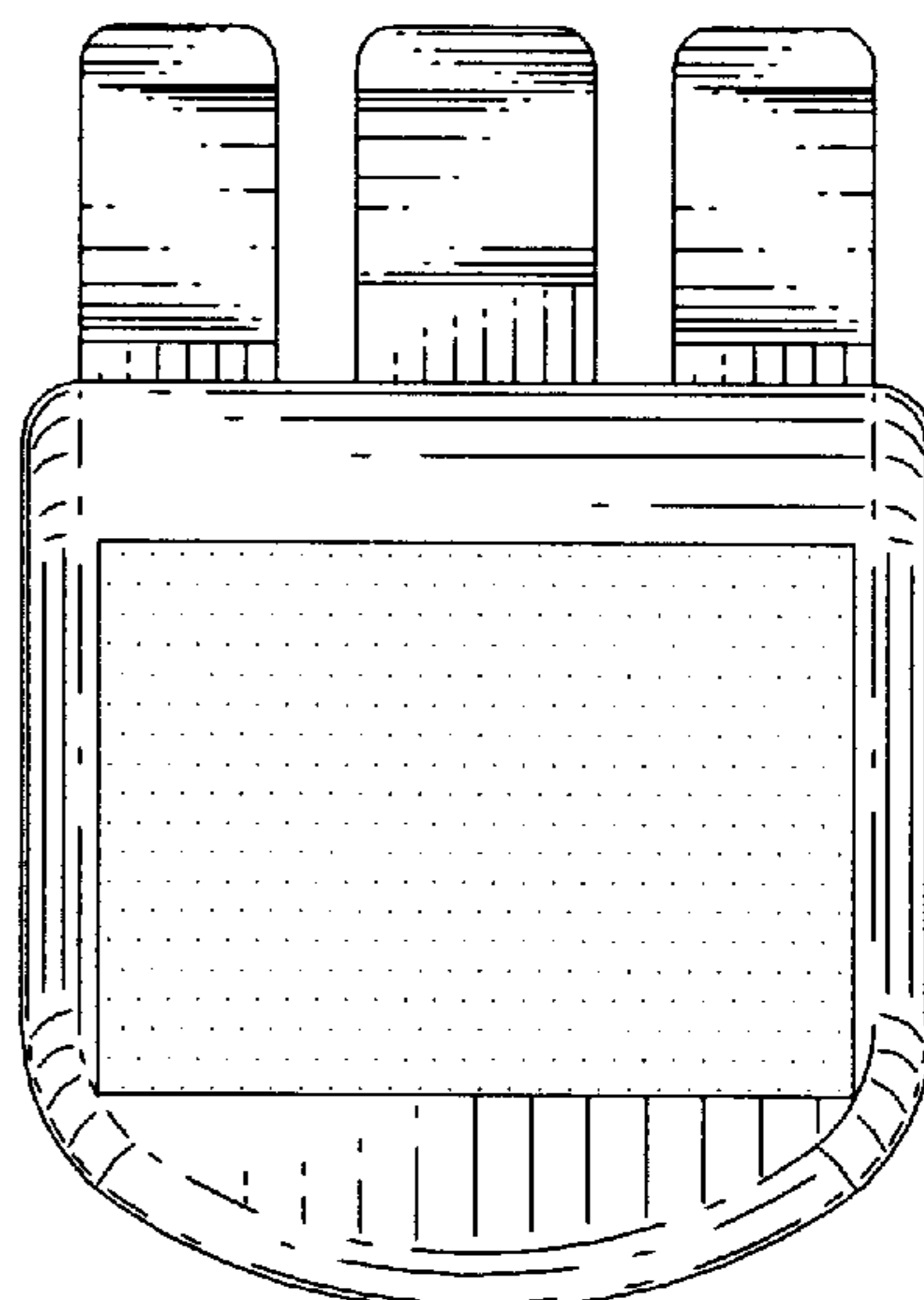


FIG. 6

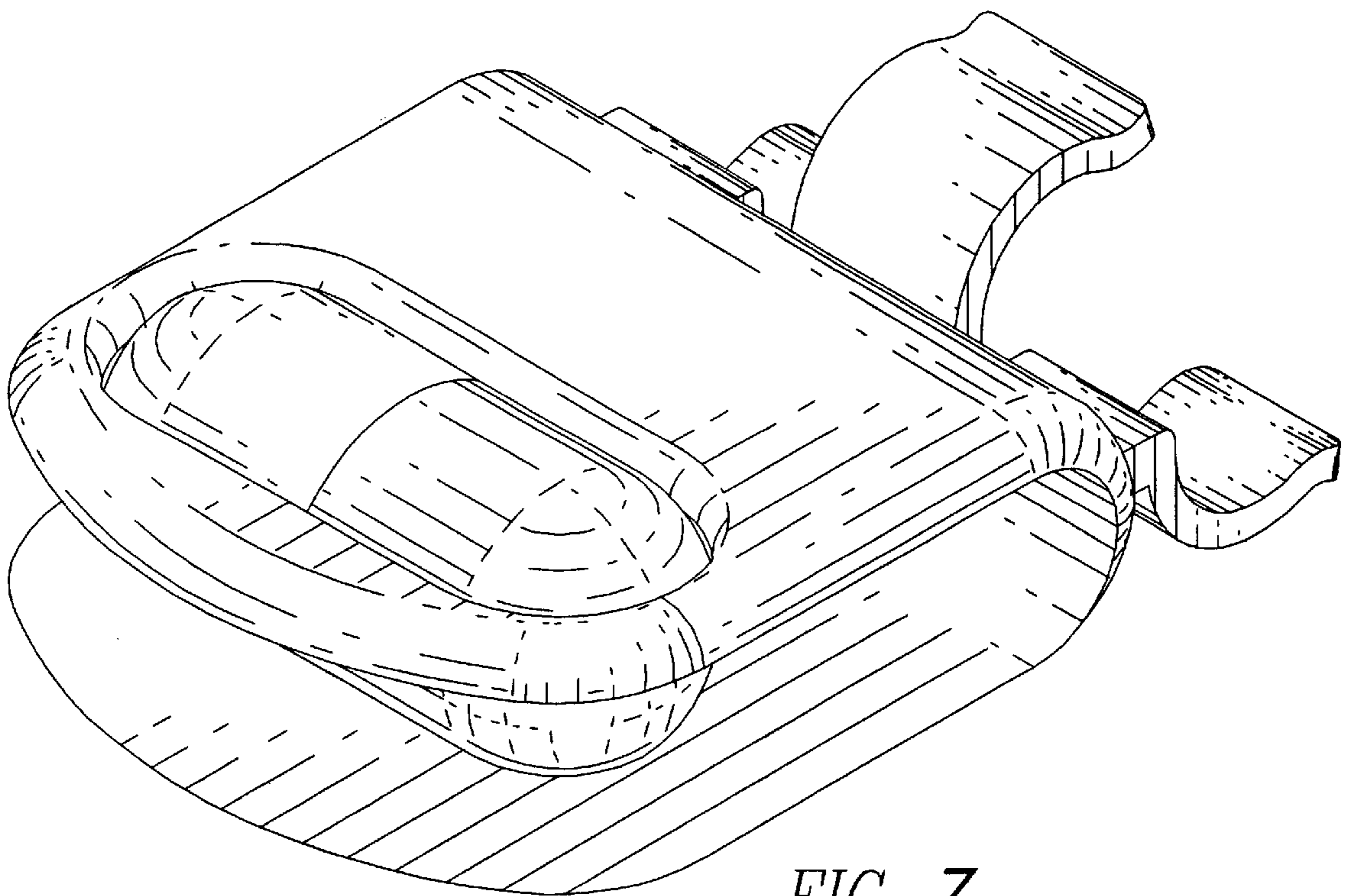


FIG. 7

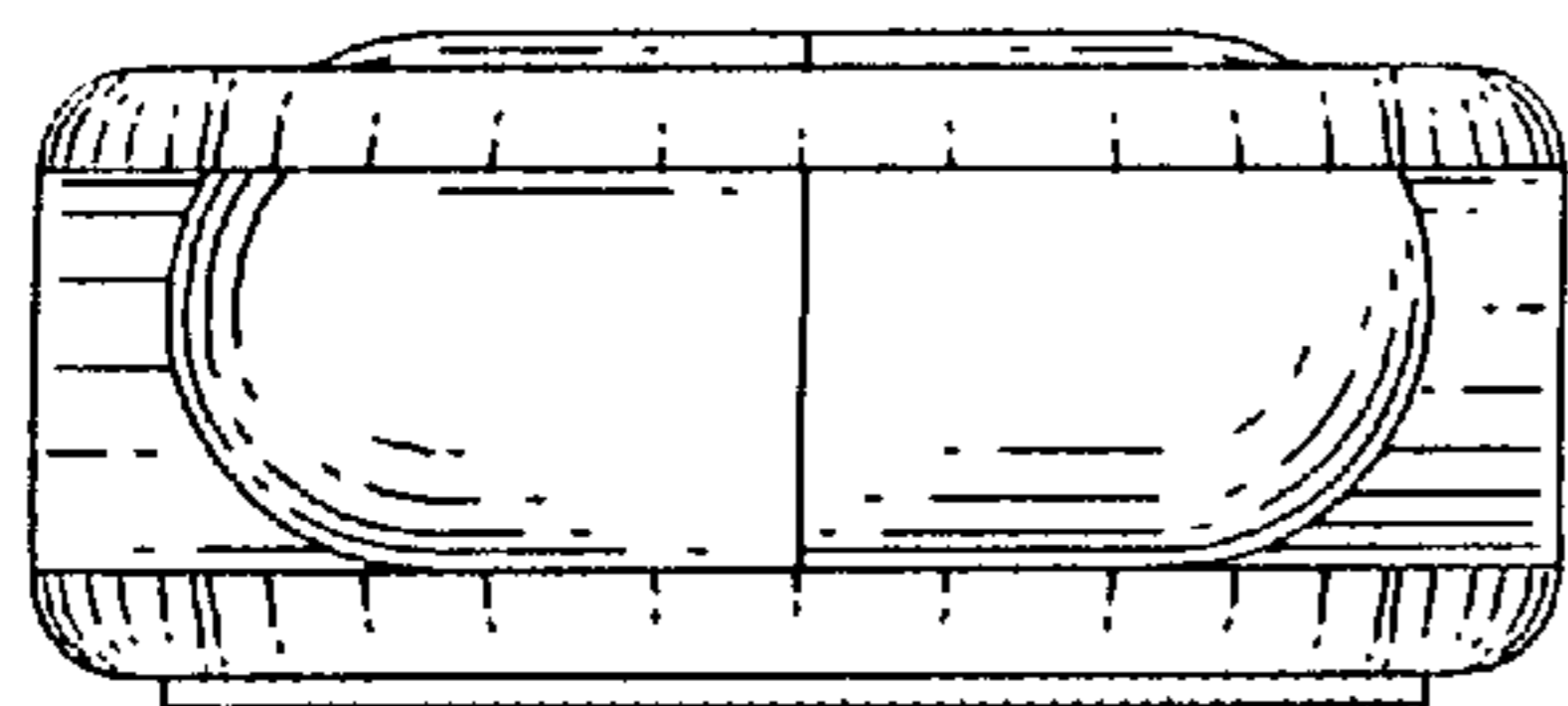


FIG. 8

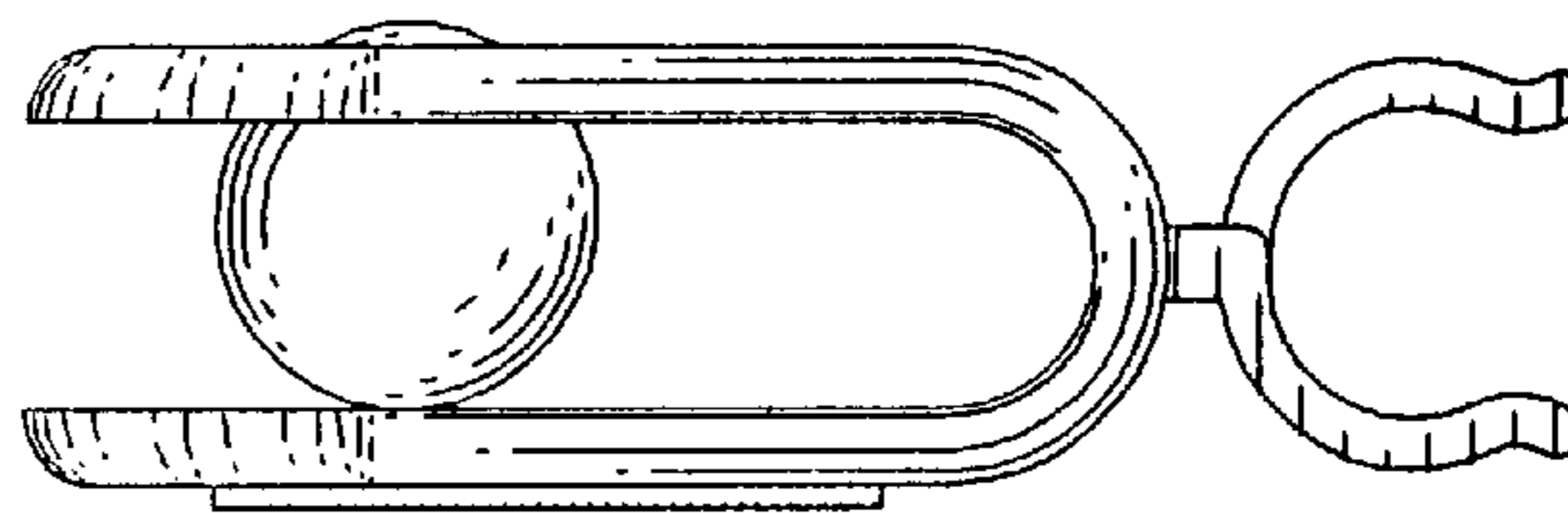


FIG. 9

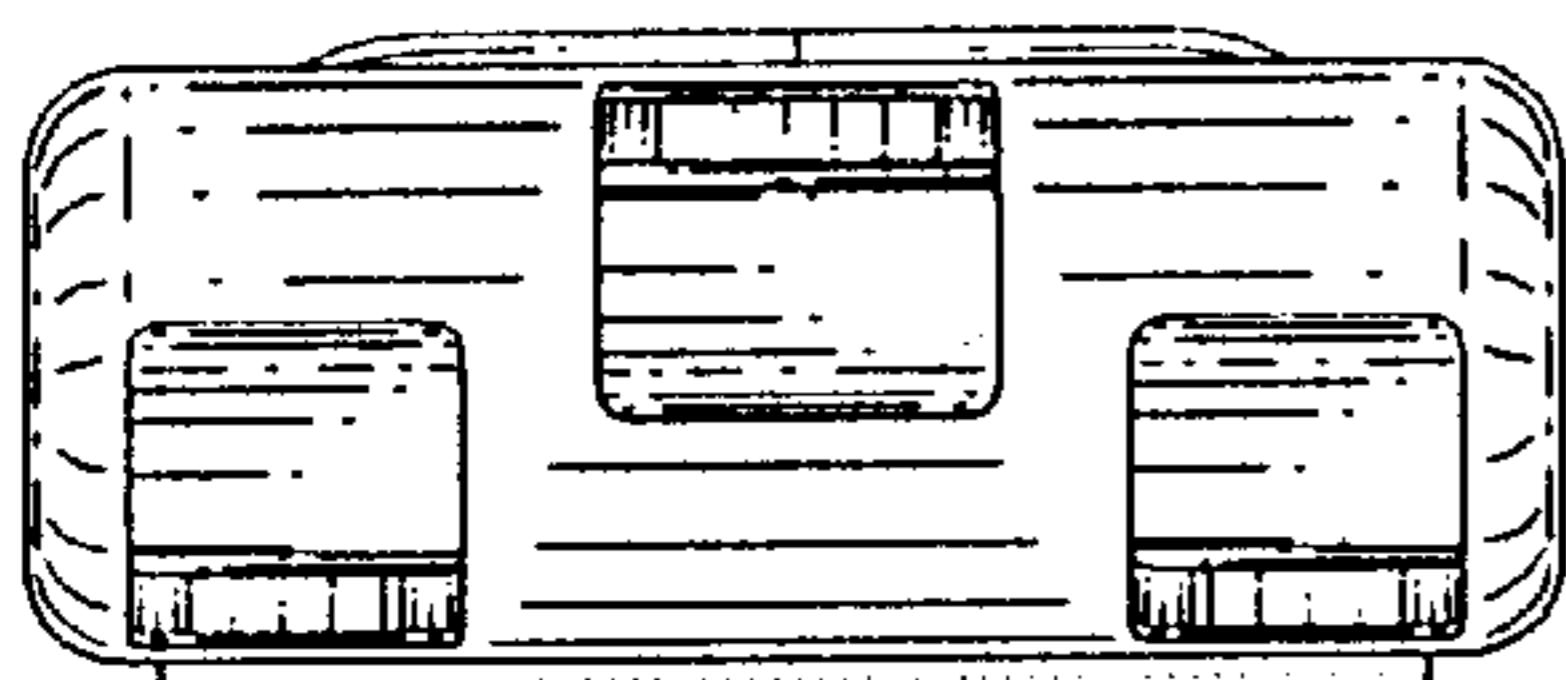


FIG. 10

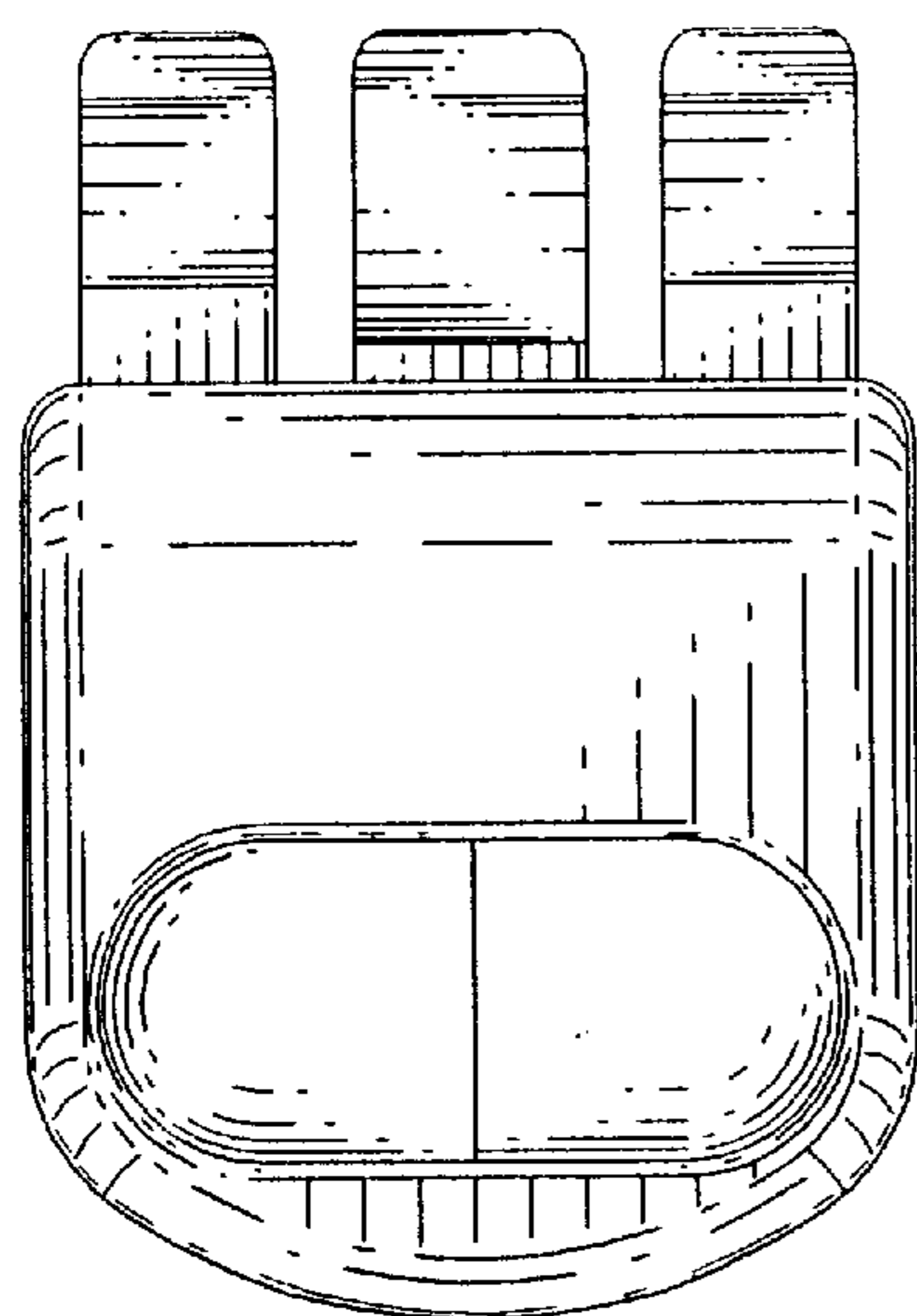


FIG. 11

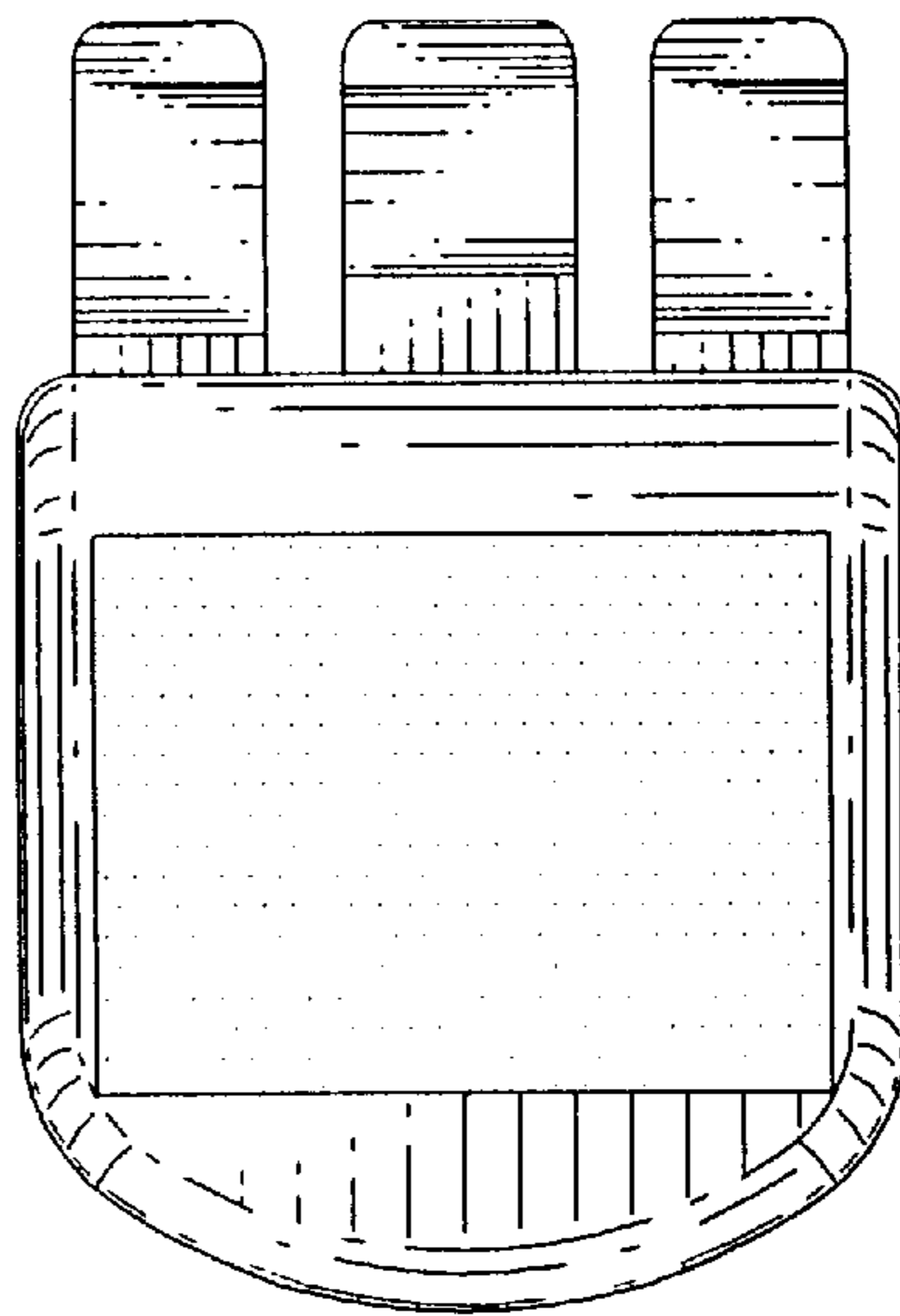


FIG. 12