



US00D405827S

United States Patent [19] Jack

[11] **Patent Number: Des. 405,827**

[45] **Date of Patent: **Feb. 16, 1999**

[54] **MULTI-PURPOSE INFORMATION CENTER**

[75] Inventor: **Douglas M. Jack**, Fullerton, Calif.

[73] Assignee: **Day Runner, Inc.**, Fullerton, Calif.

[**] Term: **14 Years**

[21] Appl. No.: **88,428**

[22] Filed: **May 22, 1998**

[51] **LOC (6) Cl.** **19-06**

[52] **U.S. Cl.** **D19/52; D19/36; D19/18;**
D19/81; D20/19; D20/42; D6/553; D6/569

[58] **Field of Search** D19/21-23, 35,
D19/36, 52, 65, 77, 78, 81-85, 86, 90,
91, 99, 100; D20/19, 10, 39, 42; D6/300,
527, 553, 569-572; 40/1, 124.1, 124.2,
124.4, 905, 107, 120, 122

[56] **References Cited**

U.S. PATENT DOCUMENTS

D. 250,652	12/1978	Anderson	D19/52
D. 251,523	4/1979	Rylander	D6/553
D. 274,589	7/1984	Christensen et al.	D19/52 X
D. 281,704	12/1985	Deacon	D19/52
D. 388,459	12/1997	Jack	D19/52
D. 390,263	2/1998	Jack	D19/52
D. 392,318	3/1998	Jack	D19/52
D. 394,456	5/1998	Jack	D19/52
D. 396,490	7/1998	Jack	D19/52
4,133,123	1/1979	Anderson	40/1
4,703,571	11/1987	McCarthy	40/107

OTHER PUBLICATIONS

Ser. No. 08/861546 Filing Date May 22, 1997 Inventor Ronald M. Bianco.

Ser. No. 29/075431 Filing Date Aug. 20, 1977 Inventor Douglas M. Jack.

Ser. No. 29/088431 Filing Date May 22, 1998 Inventor Douglas M. Jack

Ser. No. 29/088430 Filing Date May 22, 1998 Inventor Douglas M. Jack.

Primary Examiner—Martie K. Holtje
Attorney, Agent, or Firm—Pretty, Schroeder & Poplawski

[57] **CLAIM**

I claim the ornamental design for a multi-purpose information center, as shown and described.

DESCRIPTION

FIG. 1 is a perspective view of the multi-purpose information center of the present invention;

FIG. 2 is a front view thereof;

FIG. 3 is a top view thereof;

FIG. 4 is a bottom view thereof;

FIG. 5 is a right side thereof with the left side view being a mirror image thereof;

FIG. 6 is a perspective view of a first alternative embodiment of the multipurpose information center of the present invention;

FIG. 7 is a front view of the multipurpose information center of FIG. 6;

FIG. 8 is a top view thereof;

FIG. 9 is a right side view thereof with the left side view being a mirror image thereof; and,

FIG. 10 is a bottom view thereof.

The rear of the multi-purpose information center is unornamented.

1 Claim, 6 Drawing Sheets

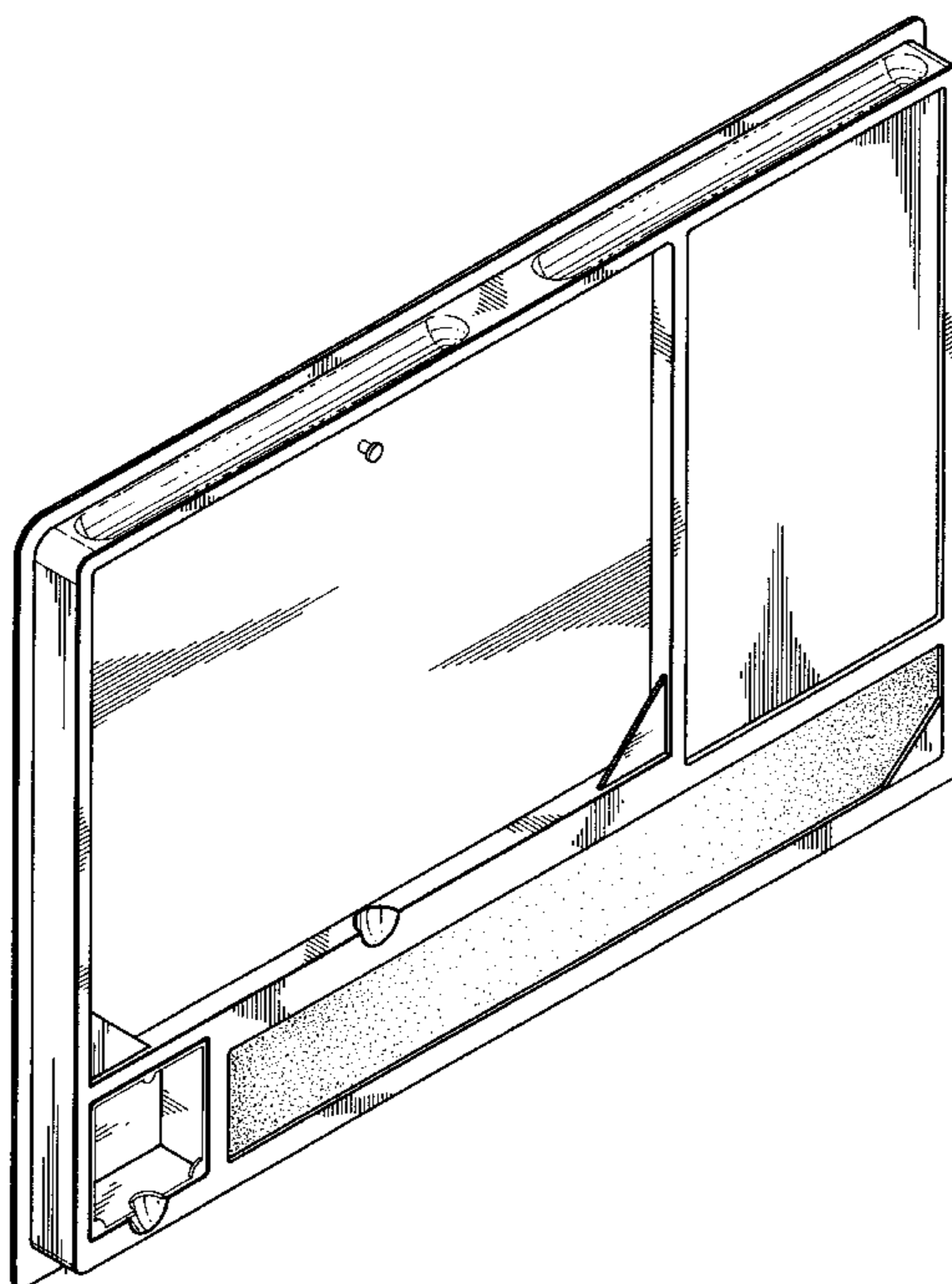
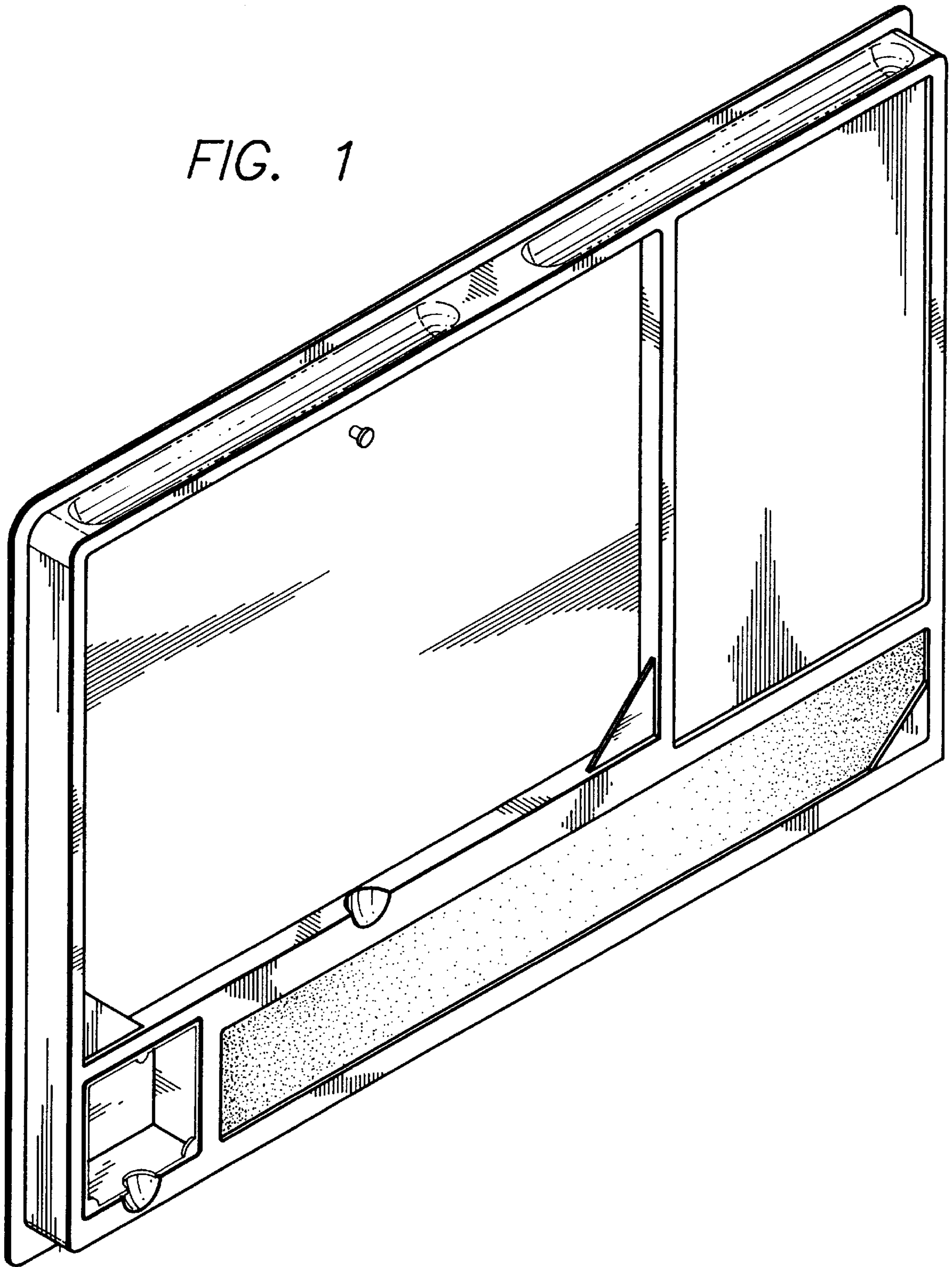


FIG. 1



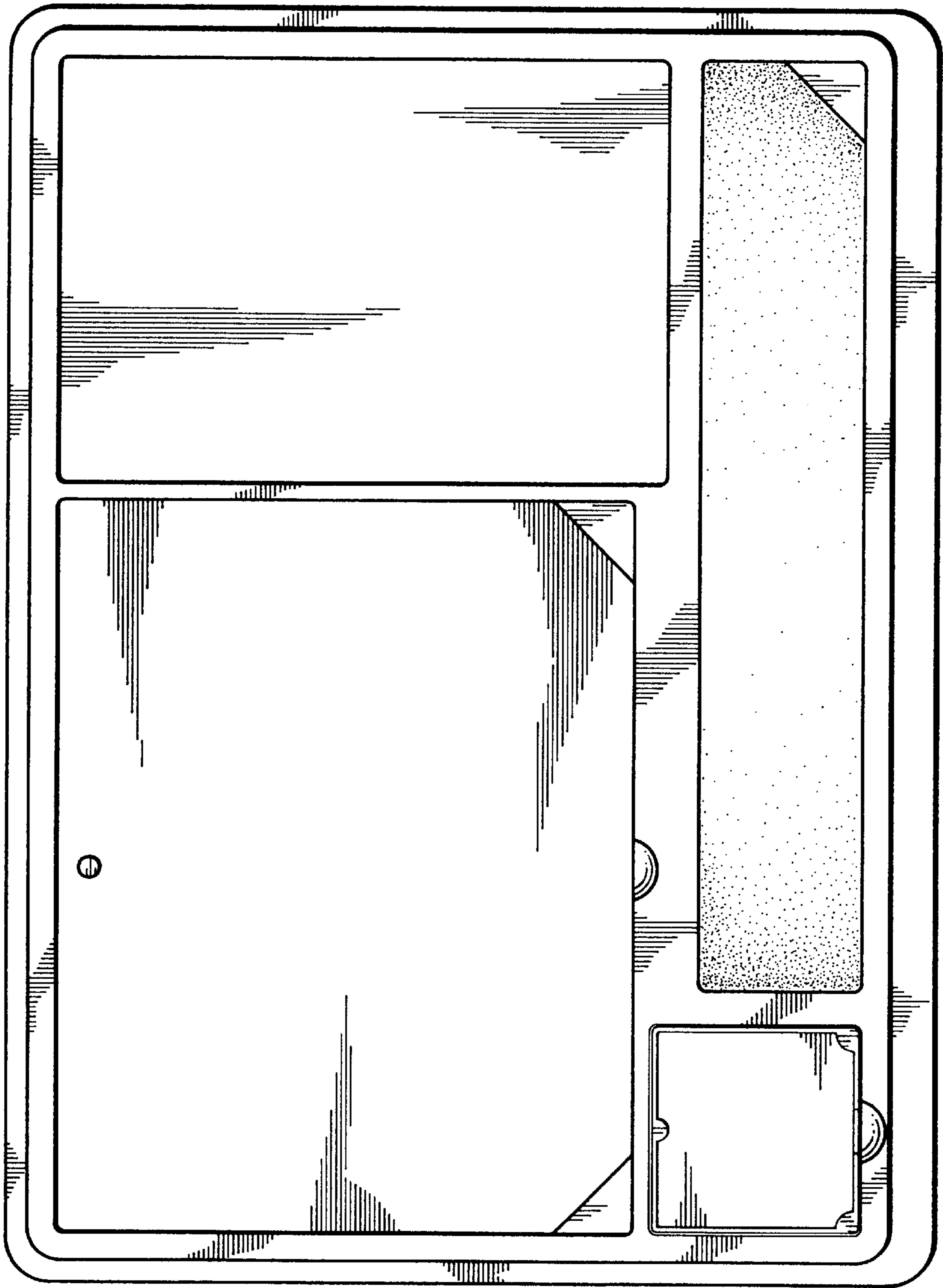


FIG. 2

FIG. 3



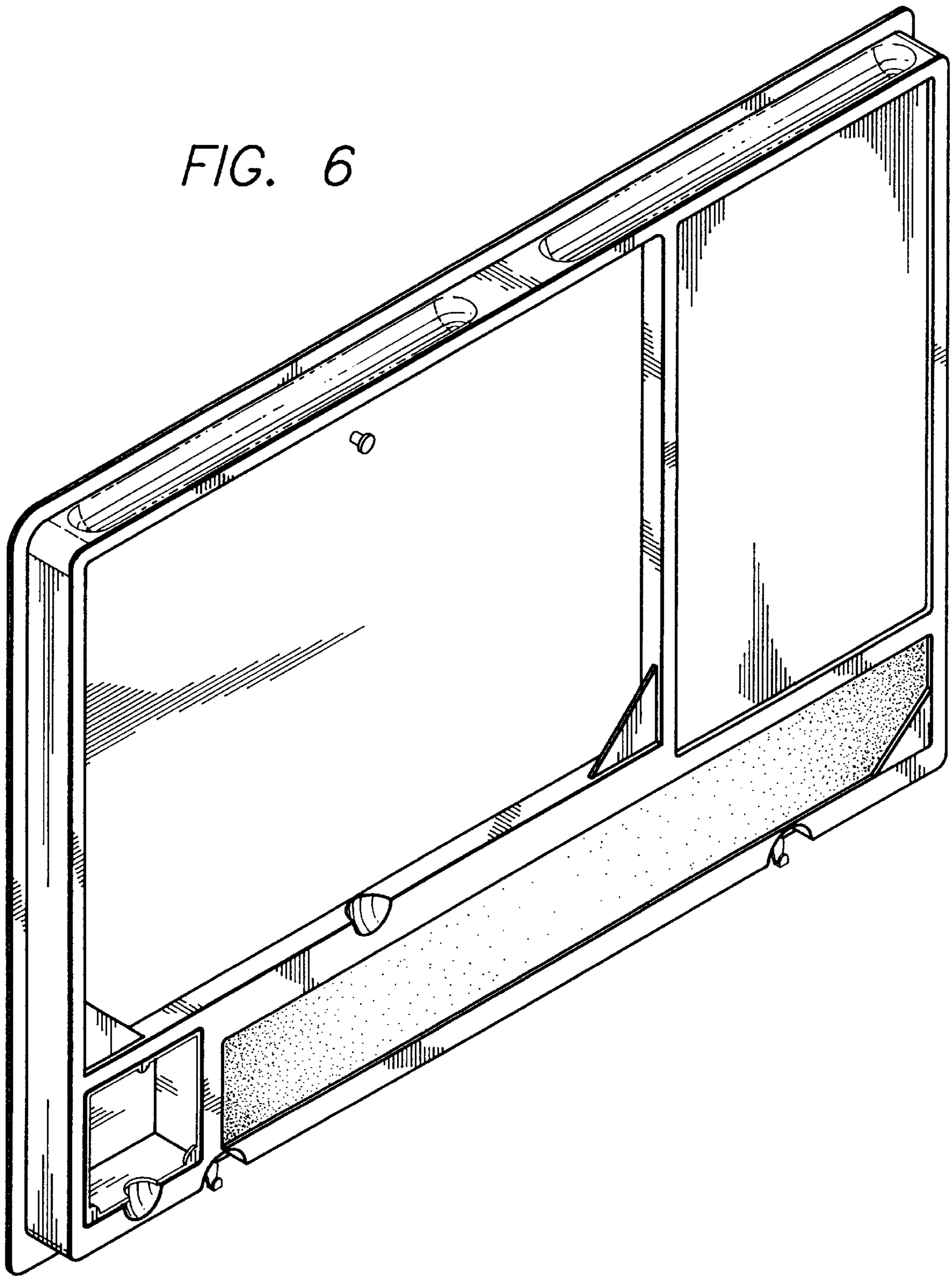
FIG. 5



FIG. 4



FIG. 6



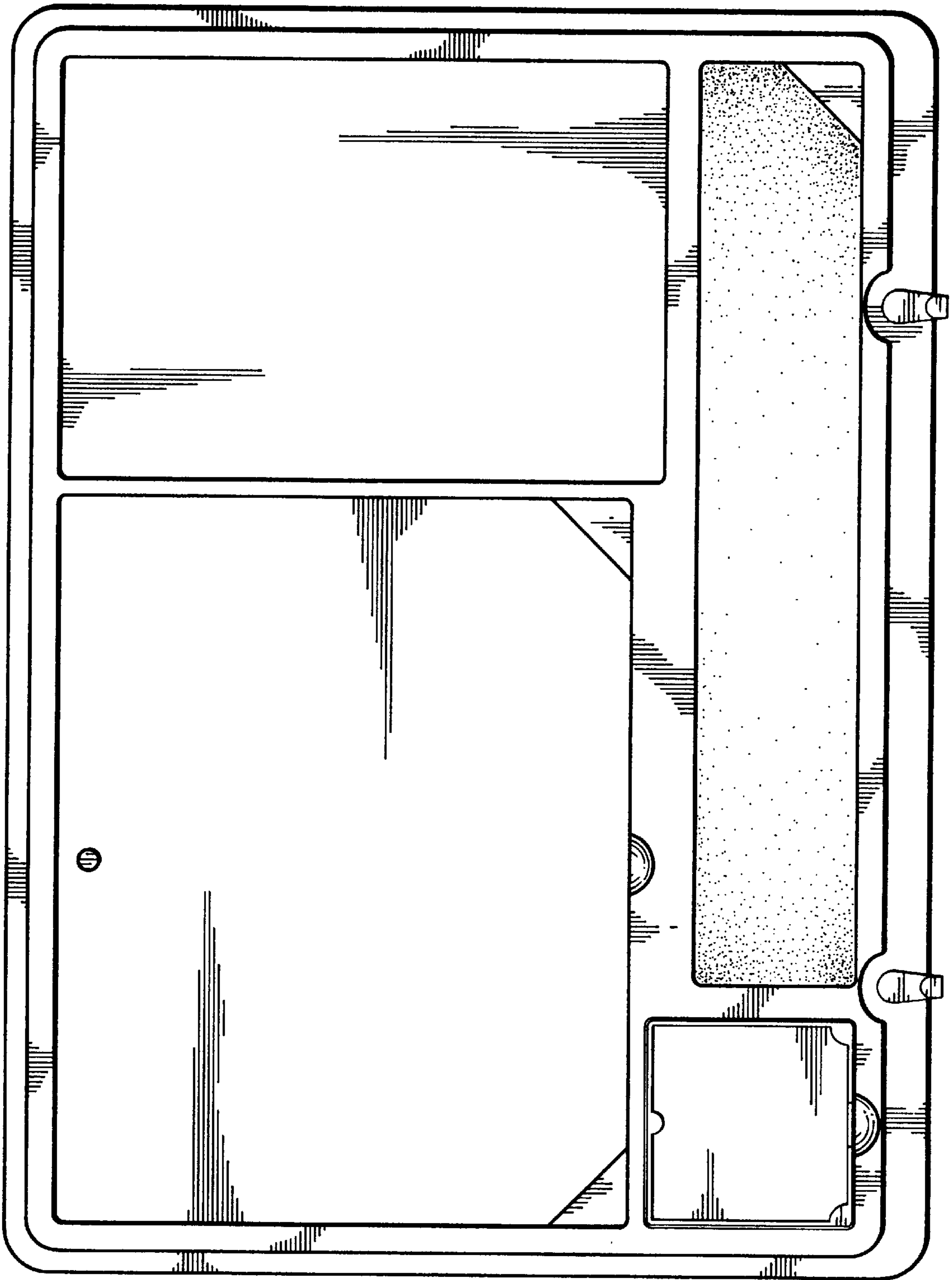


FIG. 7

FIG. 8

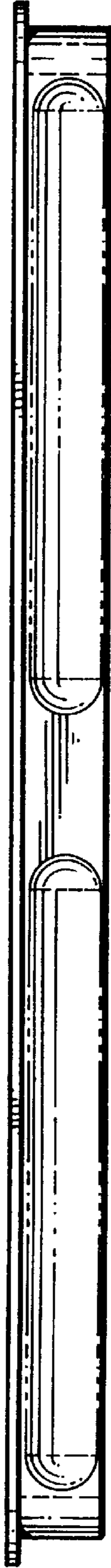


FIG. 9

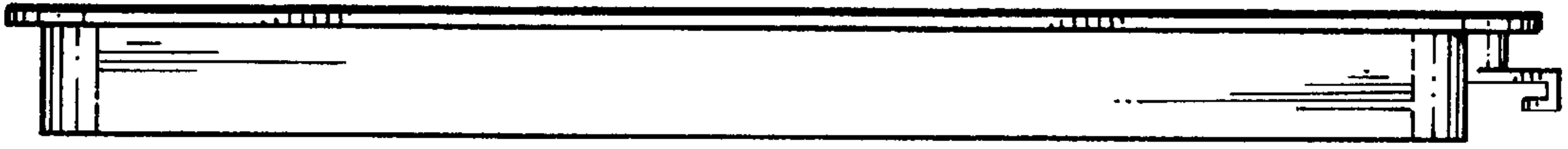


FIG. 10

