



US00D405823S

United States Patent [19]
Schluger

[11] **Patent Number: Des. 405,823**

[45] **Date of Patent: **Feb. 16, 1999**

[54] **ENVELOPE FOR COMMERCIAL LITERATURE**

5,092,513 3/1992 Arbonies 229/68.1
5,398,866 3/1995 Bluemle 229/68.1
5,799,862 9/1998 Gray 229/68.1

[76] Inventor: **Allen Schluger**, 21 W. 68th St., New York, N.Y. 10023

Primary Examiner—Martie K. Holtje
Attorney, Agent, or Firm—Myron Amer P.C.

[**] Term: **14 Years**

[57] **CLAIM**

[21] Appl. No.: **68,990**

The ornamental design for an envelope for commercial literature, as shown and described.

[22] Filed: **Apr. 24, 1997**

DESCRIPTION

[51] **LOC (6) Cl.** **19-01**

[52] **U.S. Cl.** **D19/3; D19/86**

[58] **Field of Search** D3/303; D19/1, D19/2, 3, 26, 32, 33, 65, 75, 86, 90, 91, 99, 100; 229/67.1, 67.3, 67.4, 68.1, 70-72, 92.8, 928, 929; 493/917, 918, 947

FIG. 1 is a perspective view of an envelope for commercial literature showing my new design, the contents thereof being depicted by means of broken lines for illustrative purposes only and forming no part of the claimed design; FIG. 2 is a rear elevational view thereof; FIG. 3 is a front elevational view thereof; FIG. 4 is a top view thereof; FIG. 5 is a bottom view thereof; FIG. 6 is a left side elevational view thereof with a closed closure flap; and, FIG. 7 is a right side elevational view thereof with an open closure flap.

[56] **References Cited**

U.S. PATENT DOCUMENTS

1,596,088	8/1926	Espey	229/92.8
3,073,508	1/1963	Hiersteiner	229/67.3
3,198,420	8/1965	Hiersteiner	229/67.3
3,485,435	12/1969	Greene et al.	D19/26 X
3,552,640	1/1971	Young	229/67.3

1 Claim, 2 Drawing Sheets

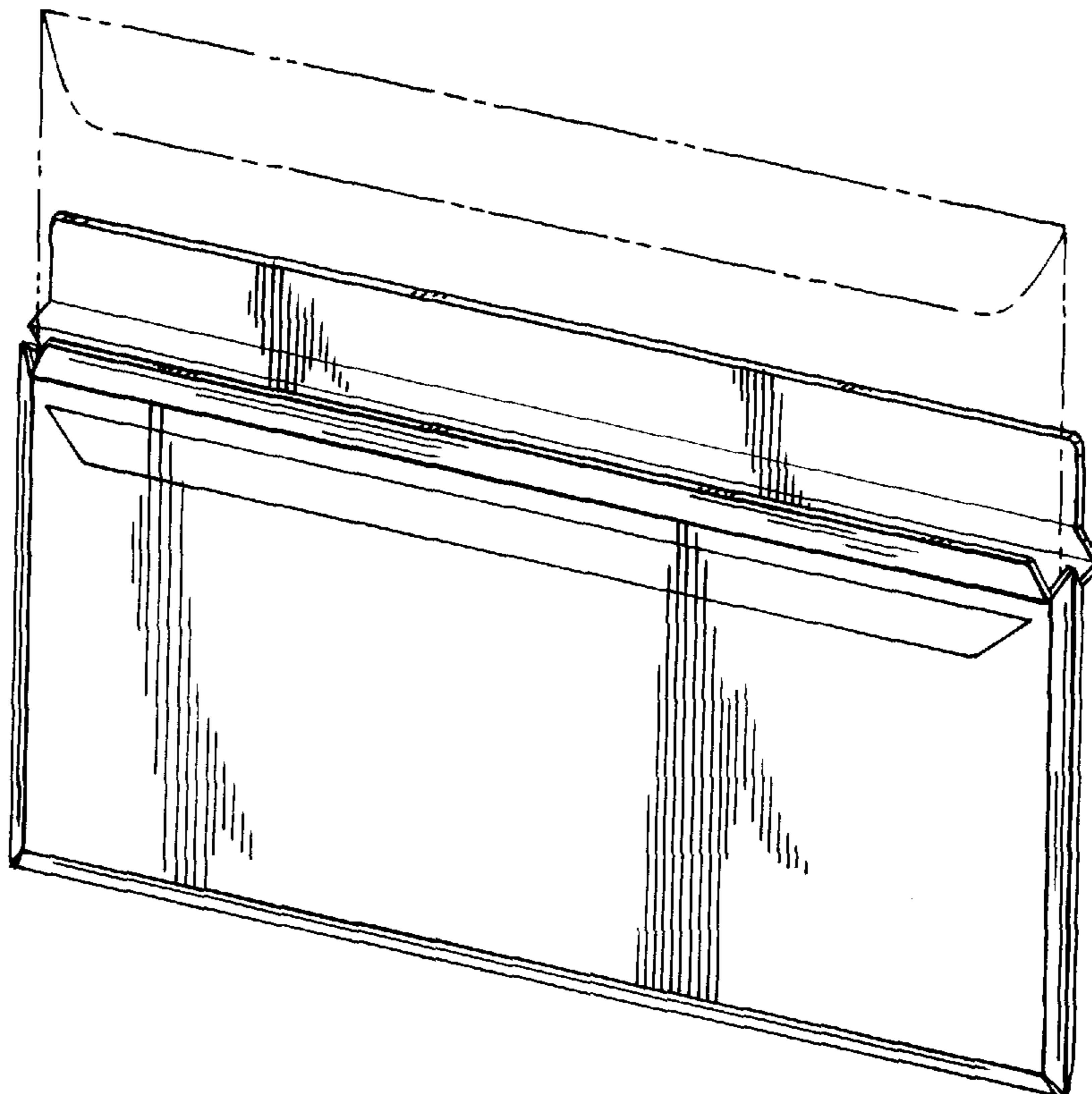


FIG. 1

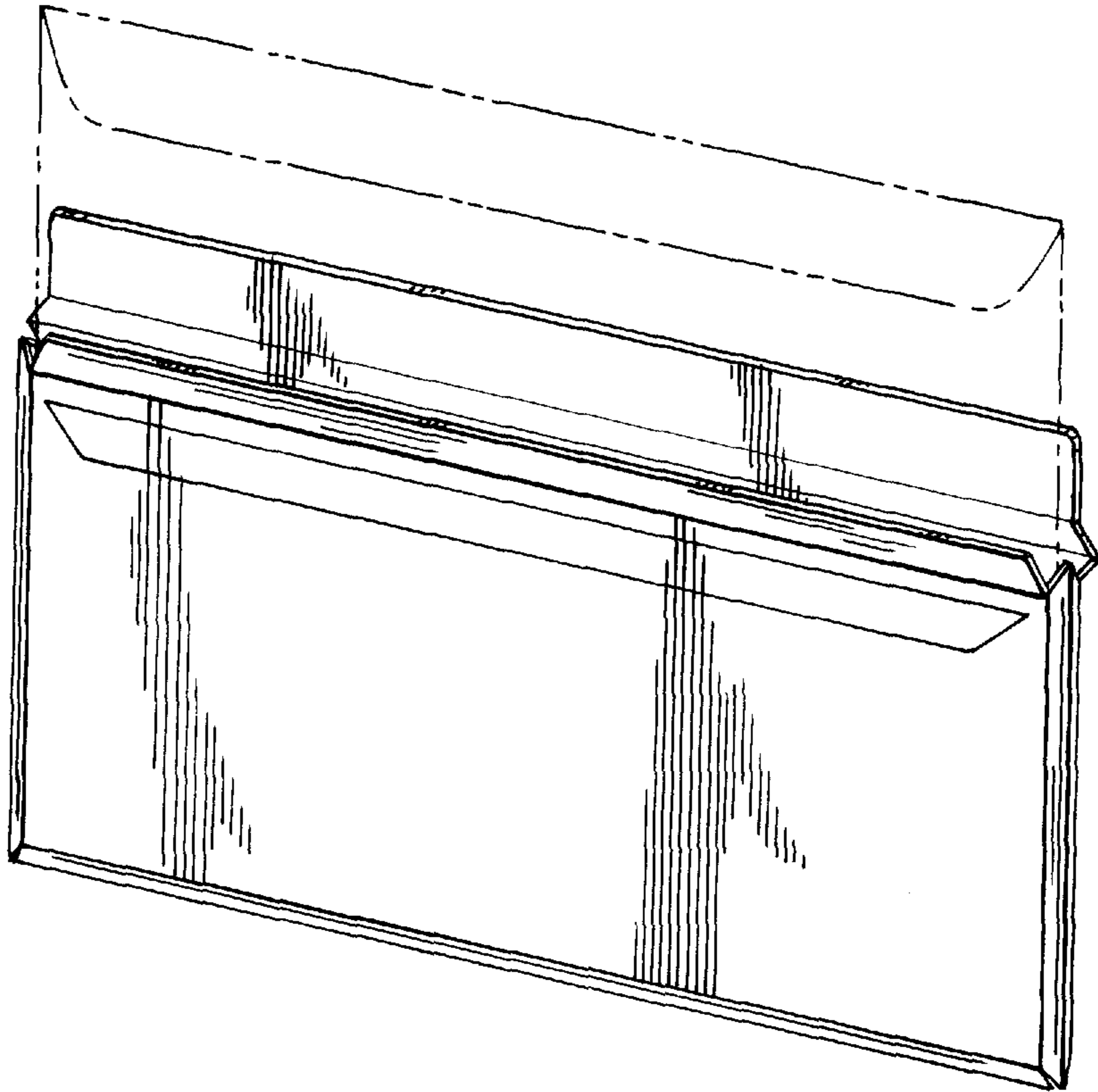


FIG. 2

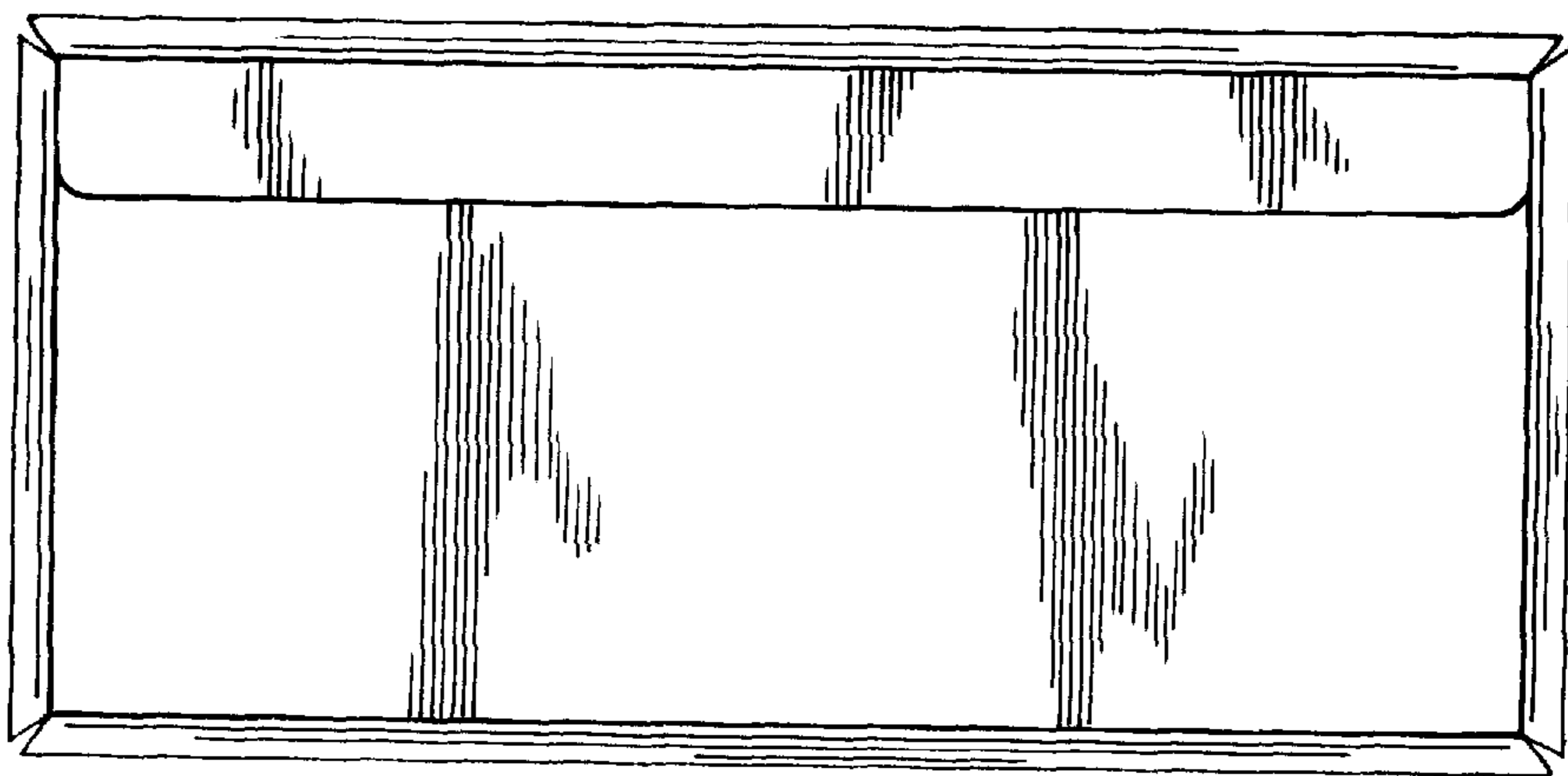


FIG. 3

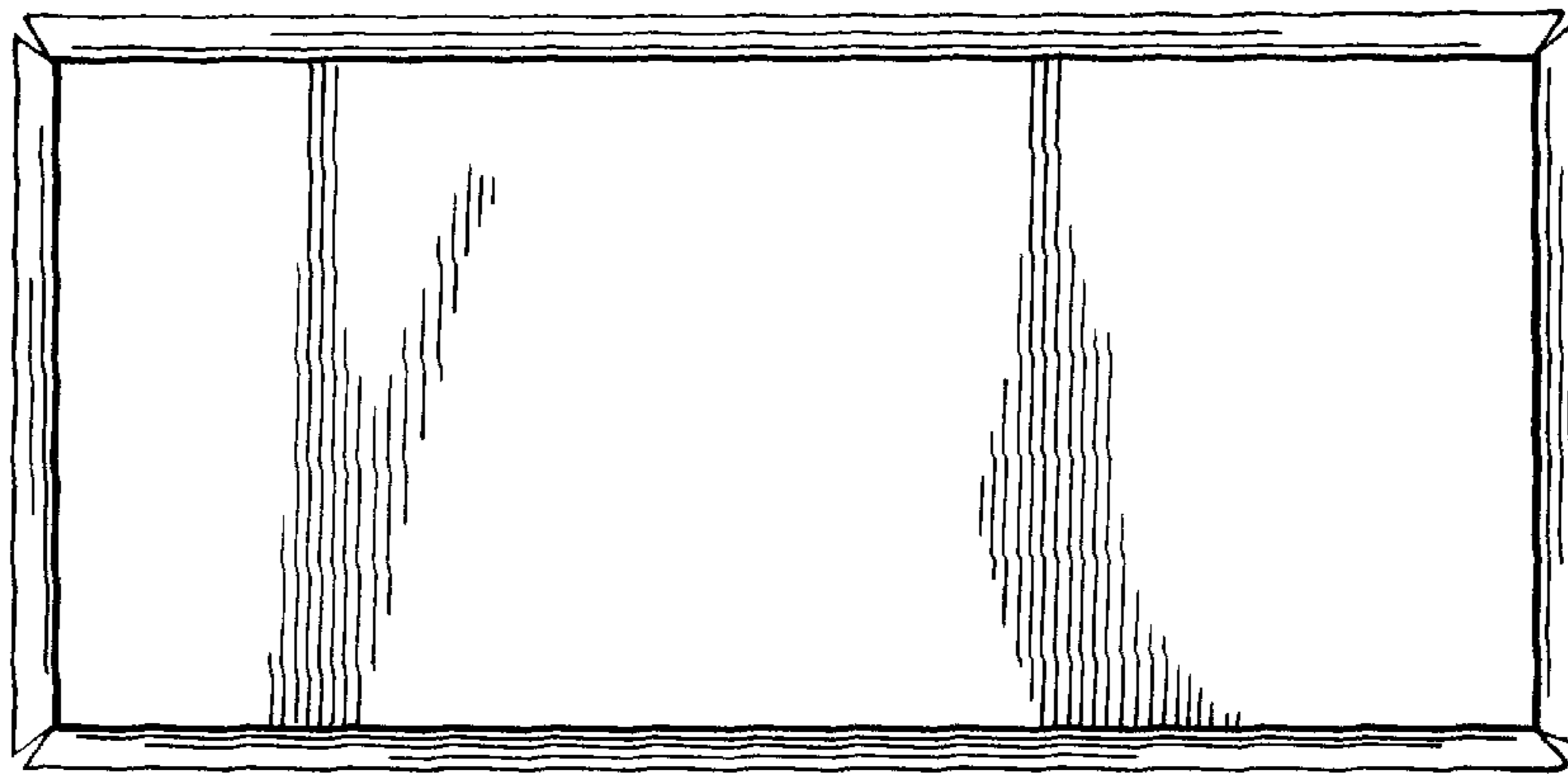


FIG. 4



FIG. 5

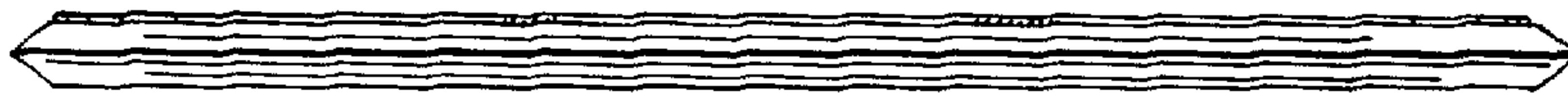


FIG. 6



FIG. 7

