



US00D405819S

United States Patent [19] Tatsumi

[11] **Patent Number: Des. 405,819**

[45] **Date of Patent: **Feb. 16, 1999**

[54] **ELECTRIC PERCUSSION INSTRUMENT WITH FLOPPY DISK PLAYER**

D. 348,476	7/1994	O'Connor	D17/22
D. 387,376	12/1997	Ohno	D17/22
5,115,706	5/1992	Aluisi	84/723
5,140,889	8/1992	Segan et al.	84/723

[75] Inventor: **Keizo Tatsumi**, Shizuoka, Japan

[73] Assignee: **Yamaha Corporation**, Japan

[**] Term: **14 Years**

Primary Examiner—Philip S. Hyder
Assistant Examiner—Adir Aronovich
Attorney, Agent, or Firm—Saidman DesignLaw Group

[21] Appl. No.: **77,638**

[57] **CLAIM**

[22] Filed: **Oct. 6, 1997**

The ornamental design for an electronic percussion instrument with floppy disk player, as shown and described.

[30] **Foreign Application Priority Data**

DESCRIPTION

May 12, 1997 [JP] Japan 9-53947

[51] **LOC (6) Cl.** **17-04**

[52] **U.S. Cl.** **D17/22**

[58] **Field of Search** D17/22, 99; D21/405;
84/411 R, 411 P, 723-733, DIG. 14, DIG. 24;
446/408; D13/162, 164

FIG. 1 is a perspective view of the top and front of an electronic percussion instrument with floppy disk player showing my new design;
FIG. 2 is a top plan view thereof;
FIG. 3 is a front elevational view thereof;
FIG. 4 is a right side view thereof;
FIG. 5 is a left side view thereof;
FIG. 6 is a rear elevational view thereof; and,
FIG. 7 is a bottom view thereof.

[56] **References Cited**

U.S. PATENT DOCUMENTS

D. 342,683 12/1993 Cohen D13/164

1 Claim, 4 Drawing Sheets

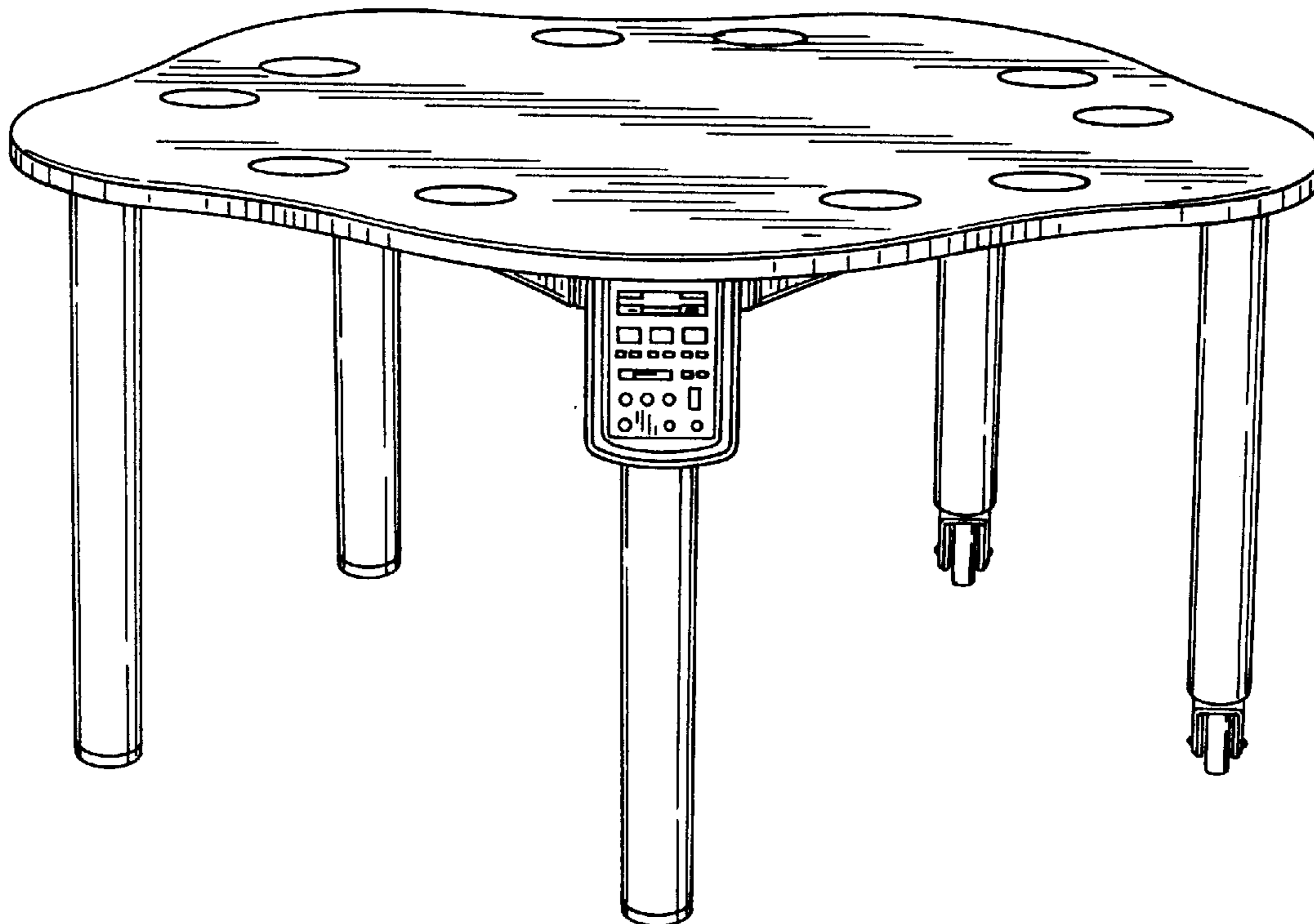


FIG. 1

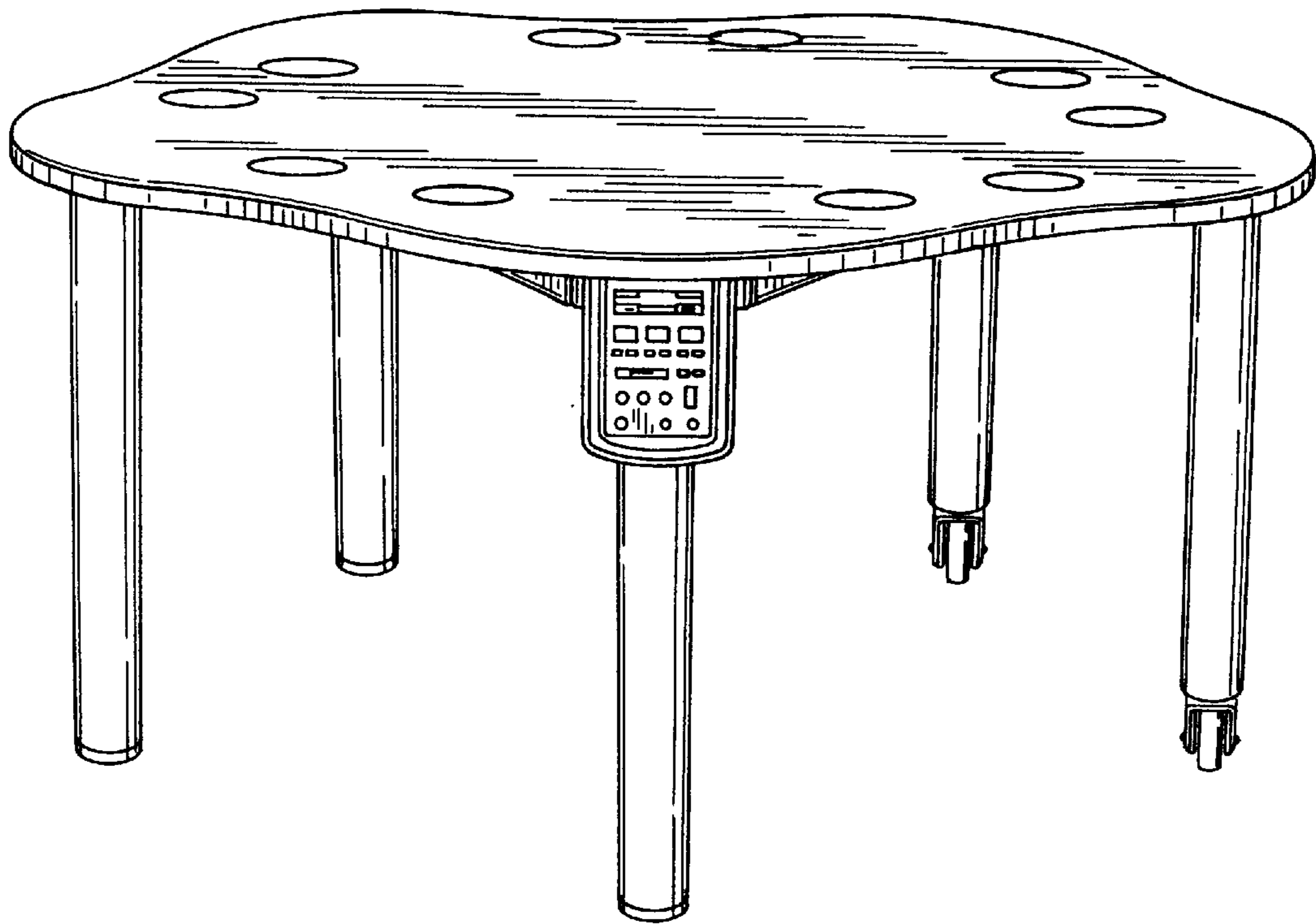


FIG. 2

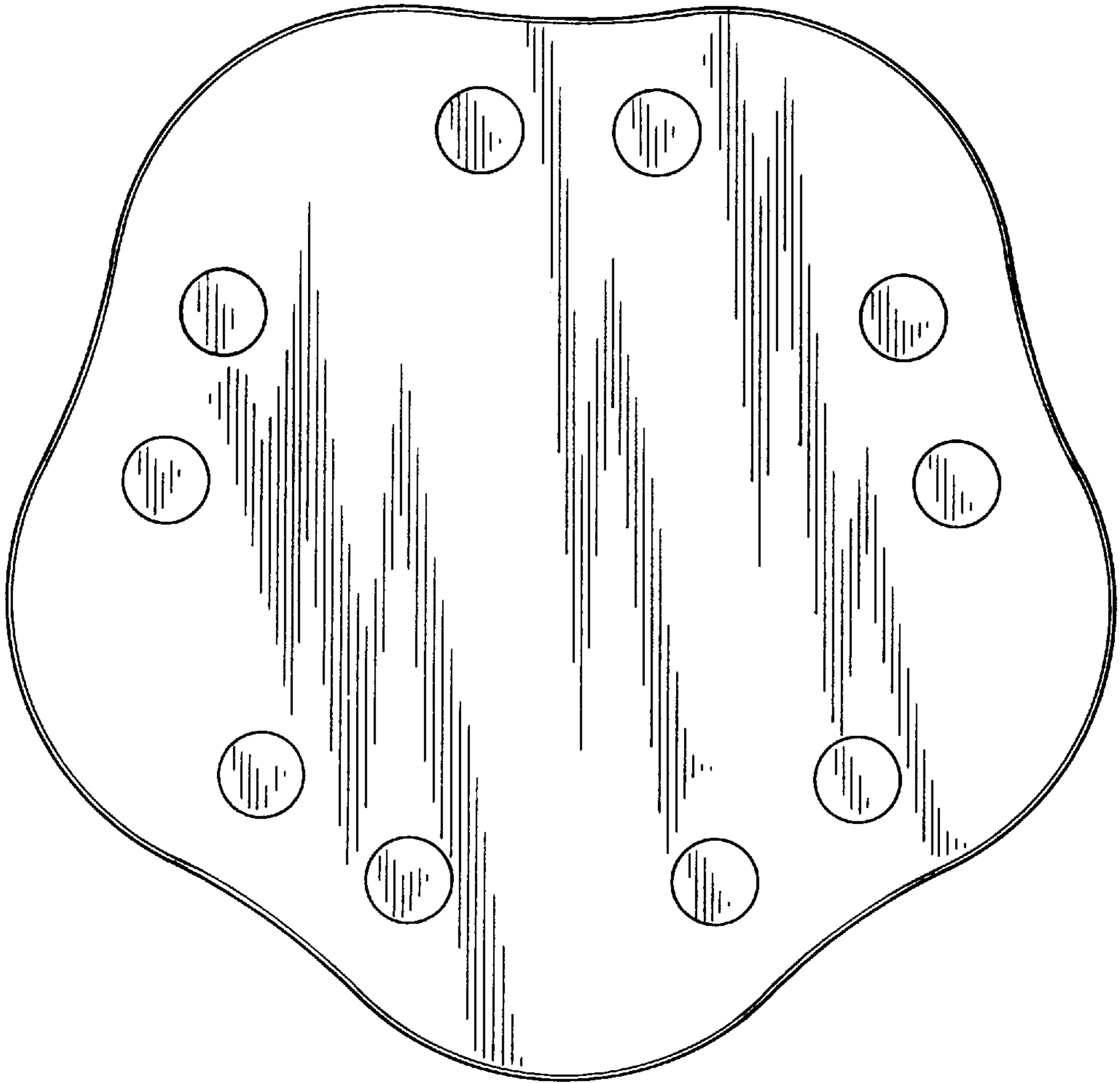


FIG. 3

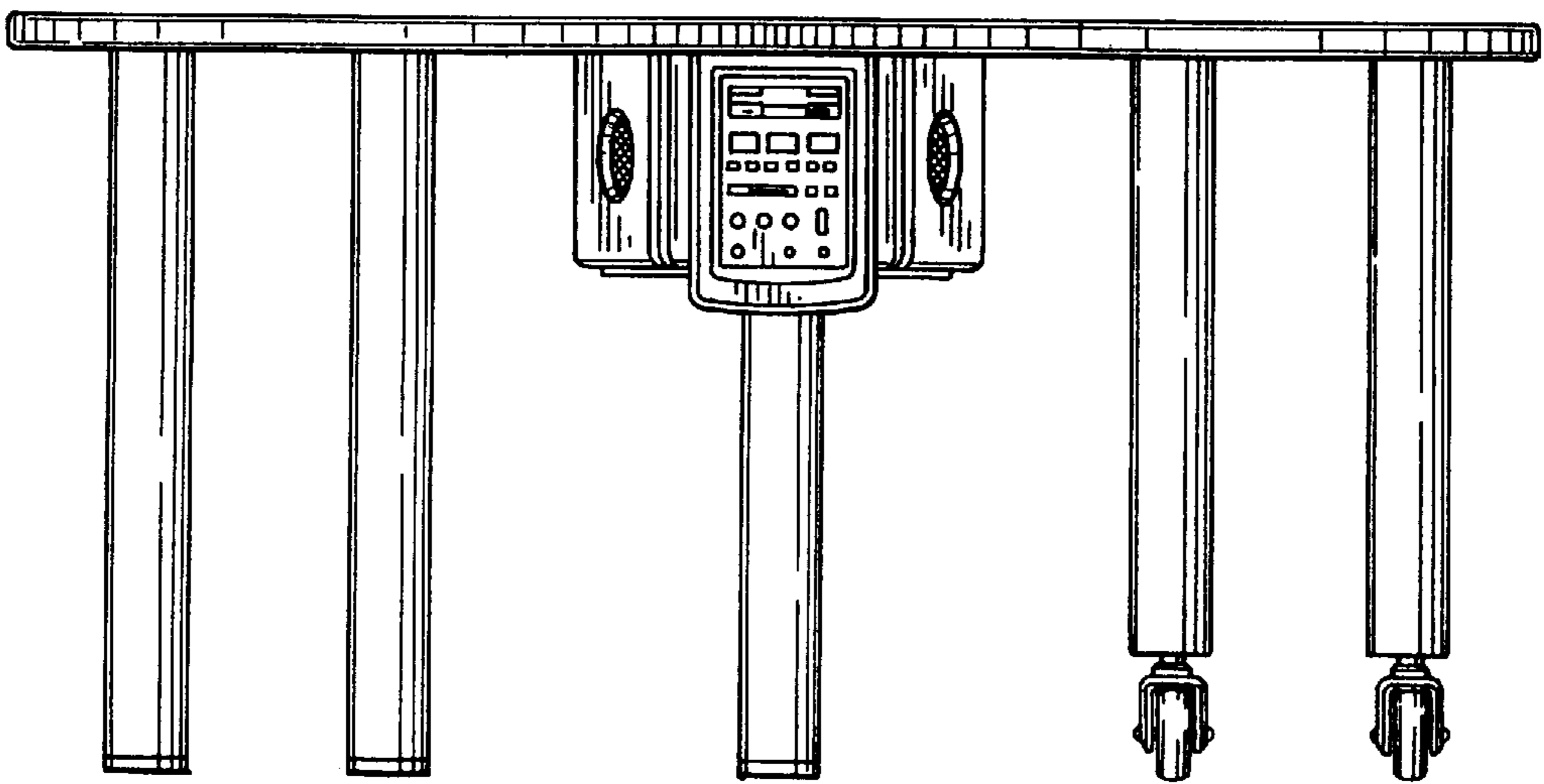


FIG. 4

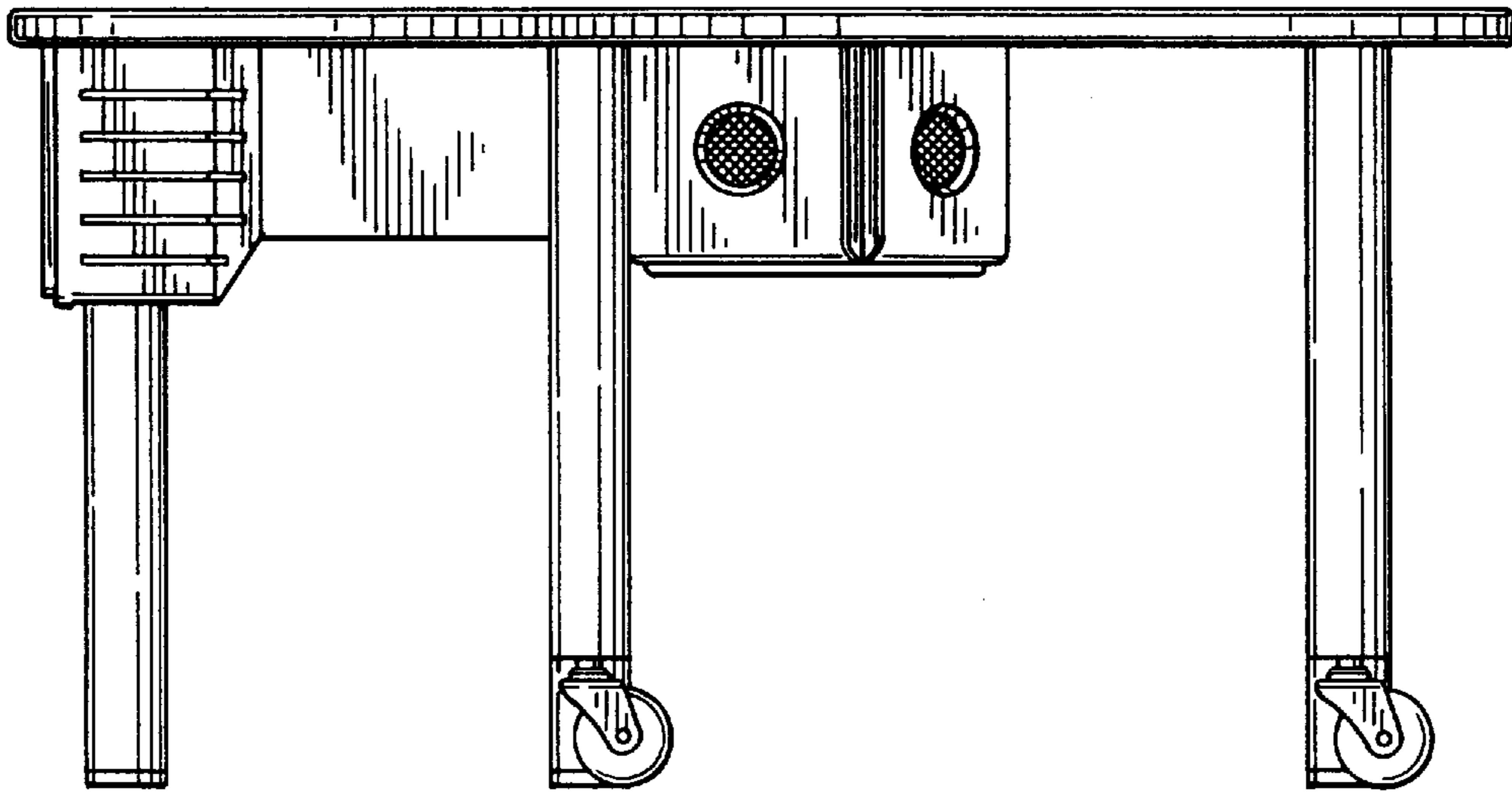


FIG. 5

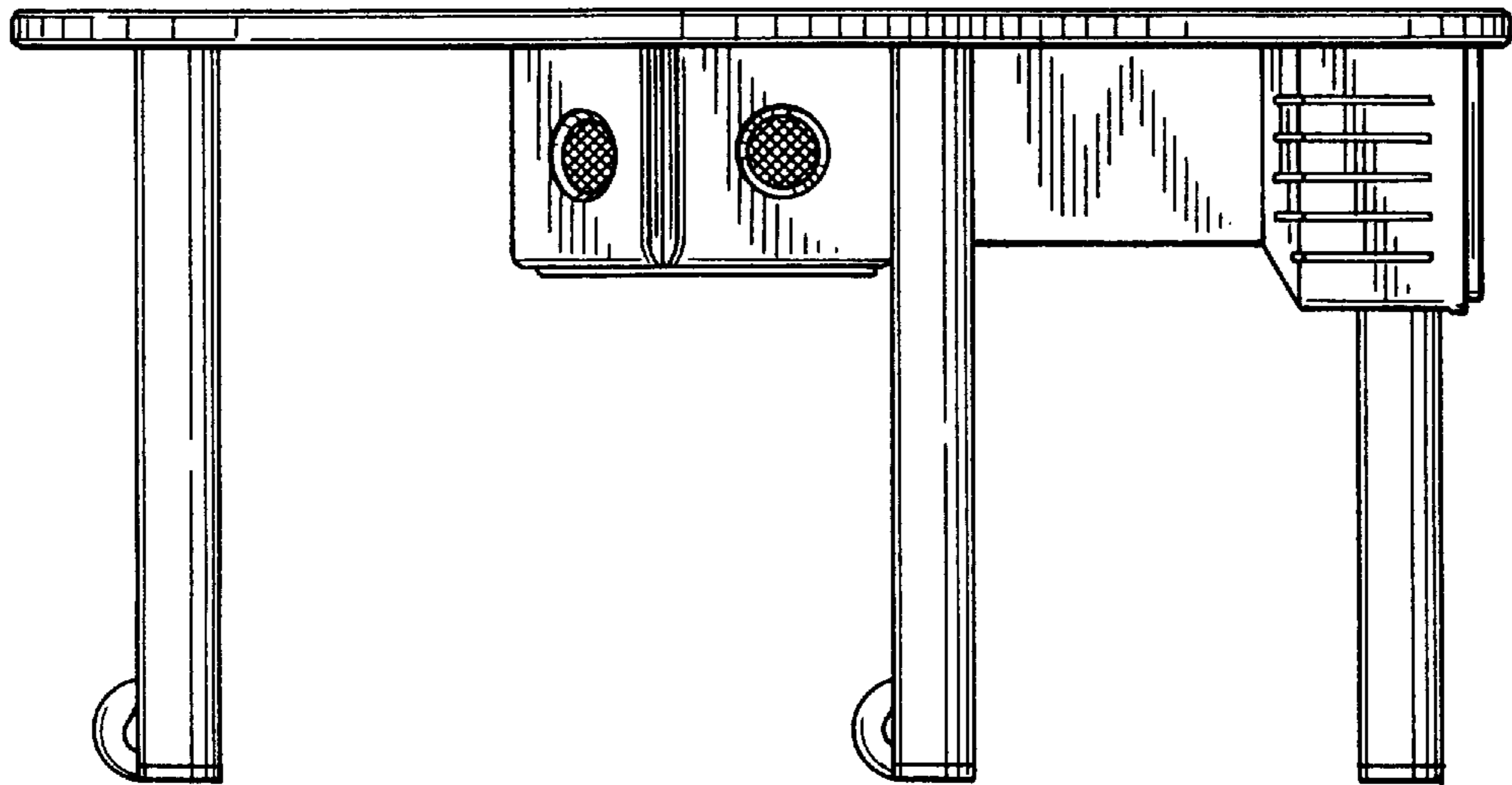


FIG. 6

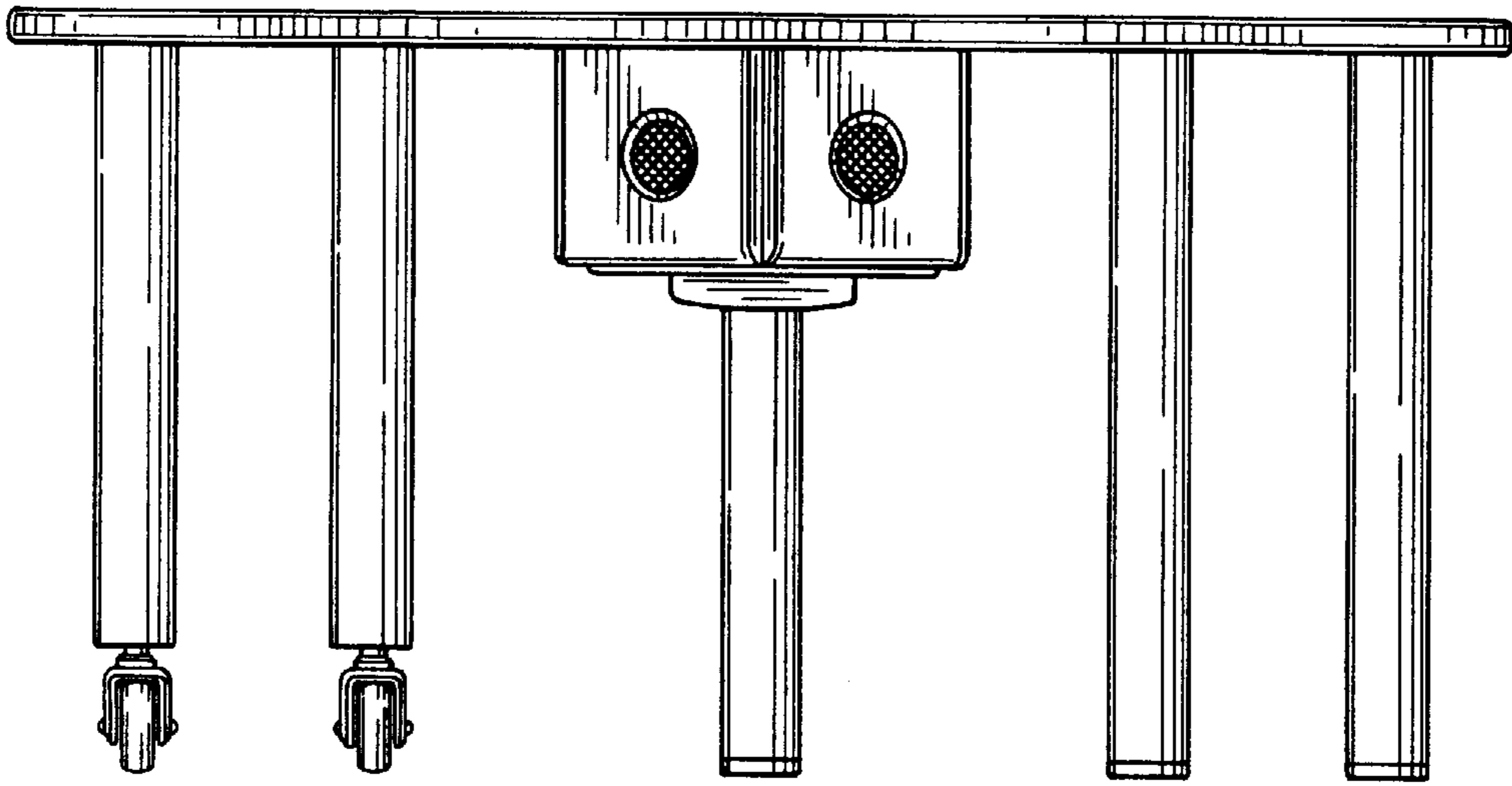


FIG. 7

