



US00D405815S

United States Patent [19]
Takizawa

[11] **Patent Number: Des. 405,815**

[45] **Date of Patent: **Feb. 16, 1999**

[54] **UNIVERSAL MOUNT FOR DIGITAL CAMERA**

[75] Inventor: **Sakiko Takizawa**, Kawasaki, Japan

[73] Assignee: **Canon Kabushiki Kaisha**, Tokyo, Japan

[**] Term: **14 Years**

[21] Appl. No.: **80,709**

[22] Filed: **Dec. 15, 1997**

[30] **Foreign Application Priority Data**

Jun. 17, 1997 [JP] Japan 9-058223

[51] **LOC (6) Cl.** **16-05**

[52] **U.S. Cl.** **D16/242**

[58] **Field of Search** D16/202, 237,
D16/242, 243, 245; 248/127, 346.01; 352/243;
396/419, 420, 422, 425, 428

[56] **References Cited**

U.S. PATENT DOCUMENTS

D. 214,703 7/1969 Kiven D16/242

D. 340,940 11/1993 Ellenberger et al. D16/242
D. 386,505 11/1997 Maeyama D16/202
D. 389,166 1/1998 Swayze D16/242

Primary Examiner—Philip S. Hyder
Assistant Examiner—Adir Aronovich
Attorney, Agent, or Firm—Fitzpatrick, Cella, Harper & Scinto

[57] **CLAIM**

The ornamental design for a universal mount for digital camera, as shown and described.

DESCRIPTION

FIG. 1 is a front view of a universal mount for digital camera, showing my new design;
FIG. 2 is a rear view thereof;
FIG. 3 is a top plan view thereof;
FIG. 4 is a bottom plan view thereof;
FIG. 5 is a left side view thereof;
FIG. 6 is a right side view thereof; and,
FIG. 7 is a perspective view thereof.

1 Claim, 4 Drawing Sheets

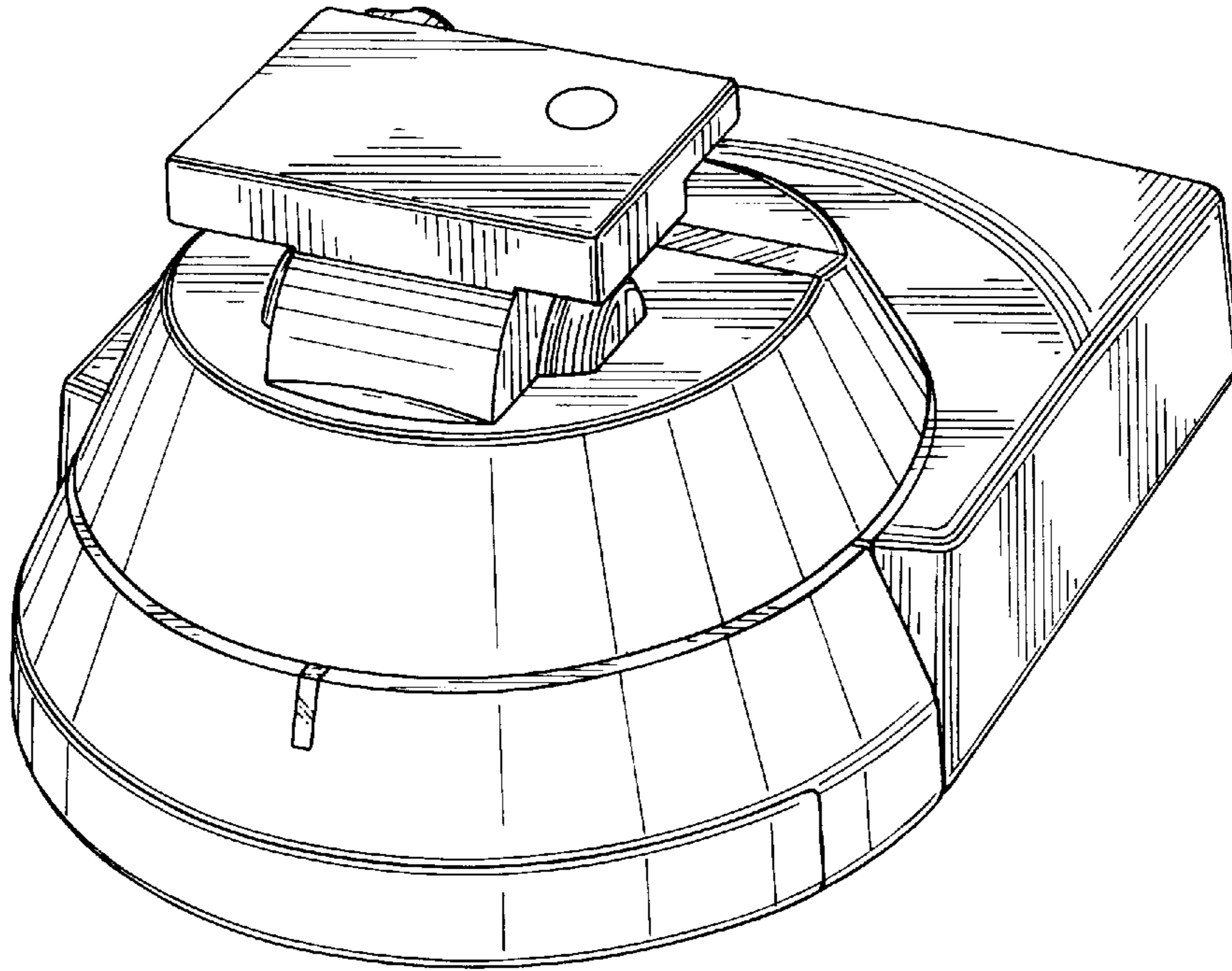


FIG. 1

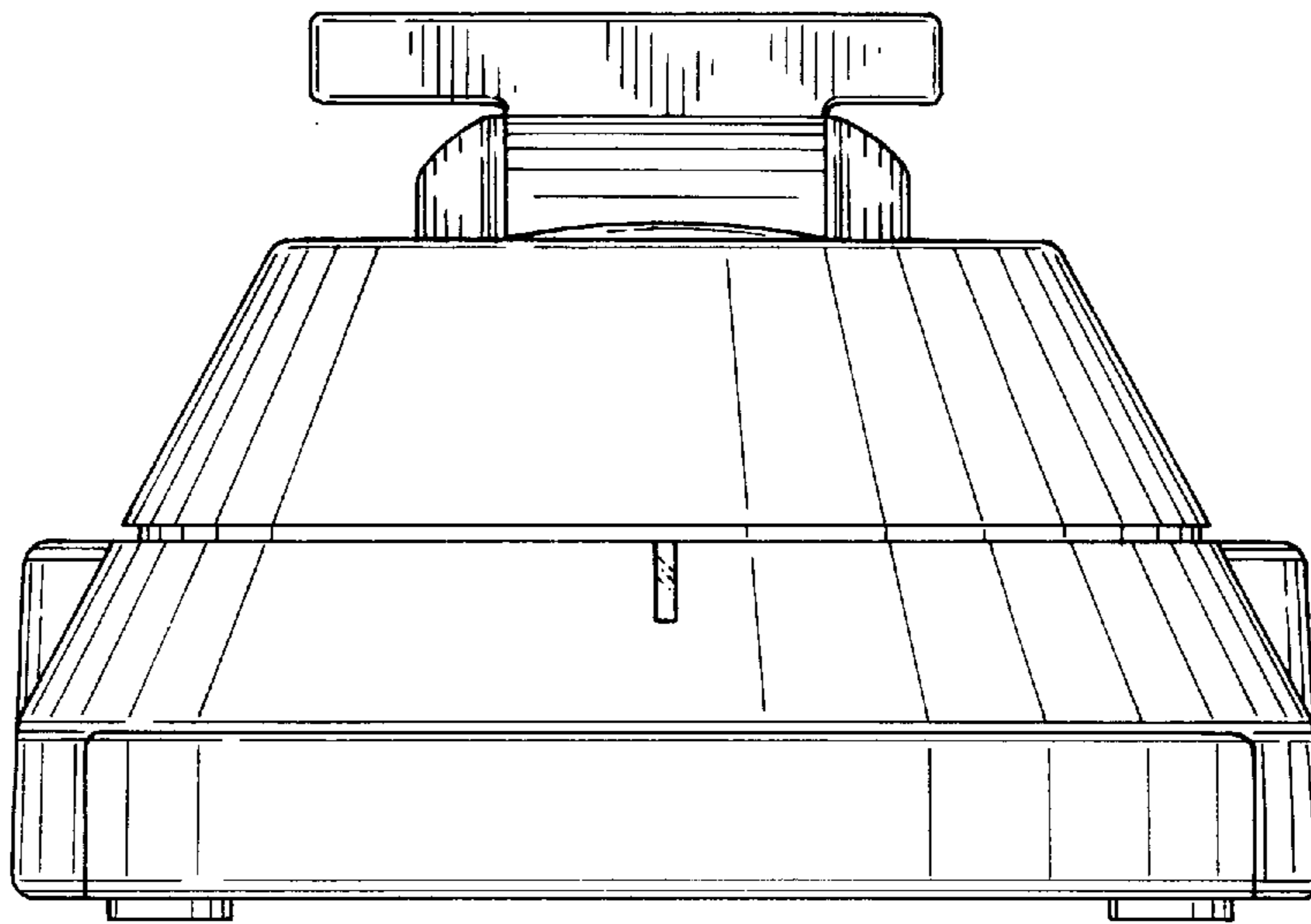


FIG. 2

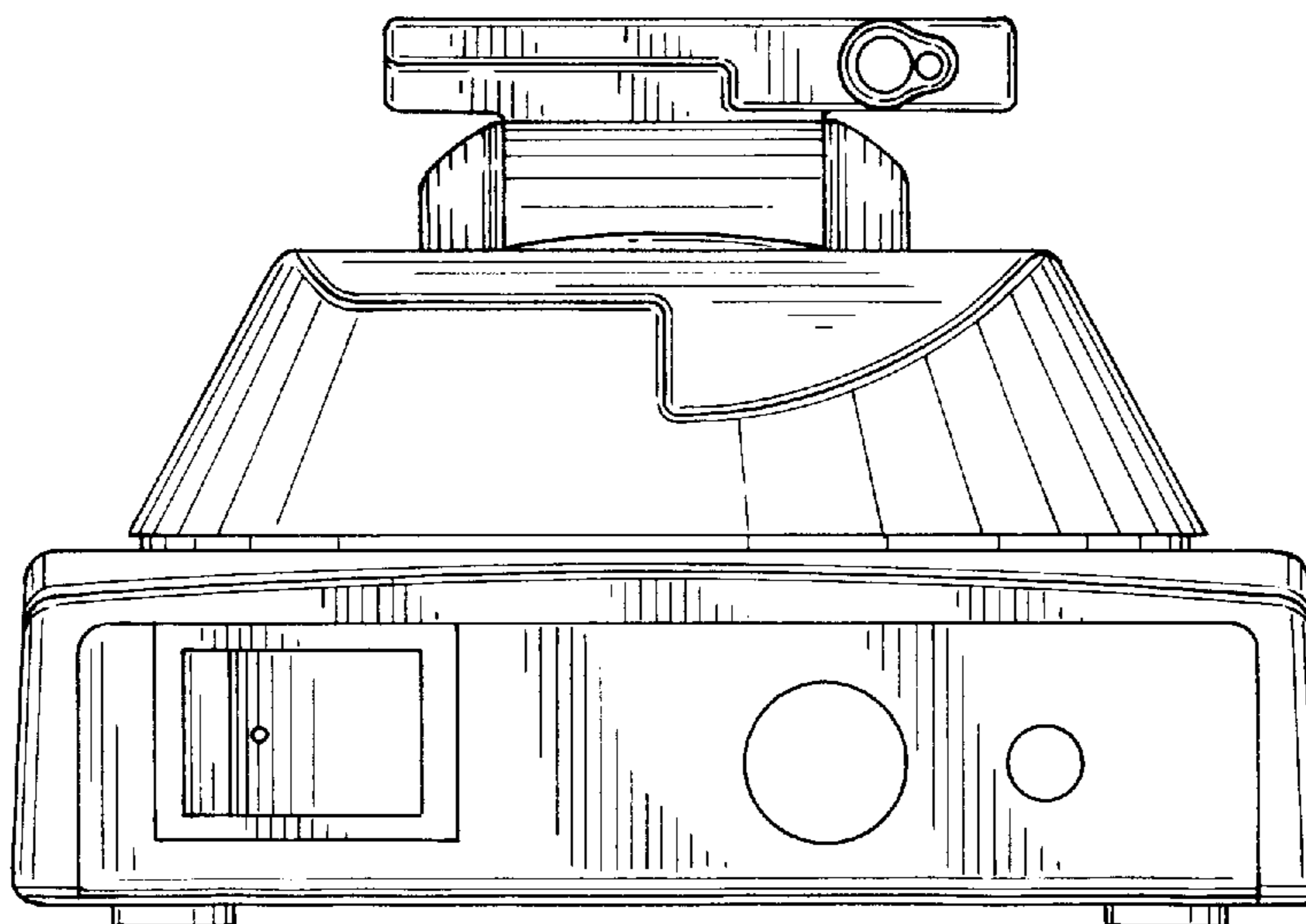


FIG. 4

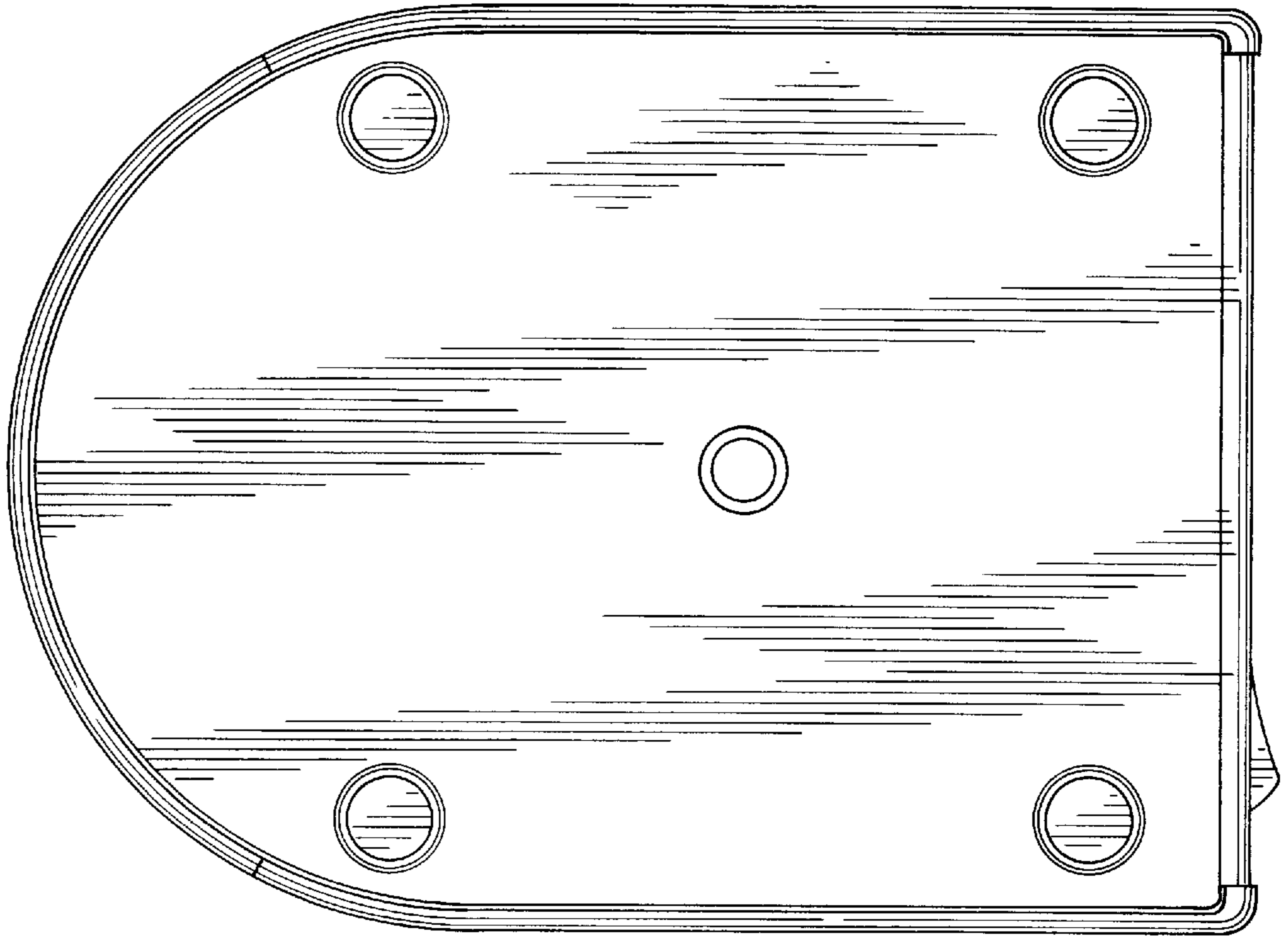


FIG. 3

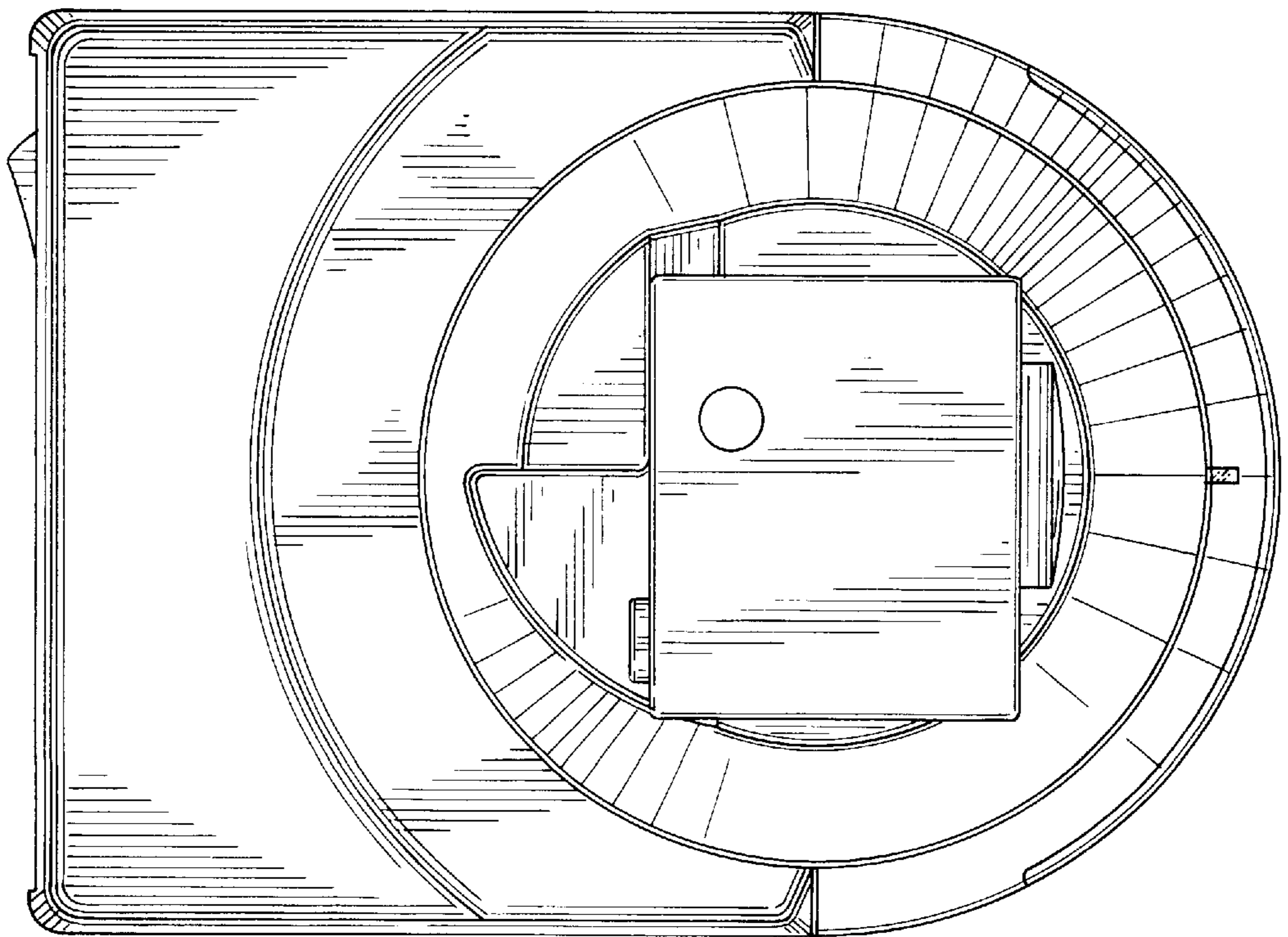


FIG. 5

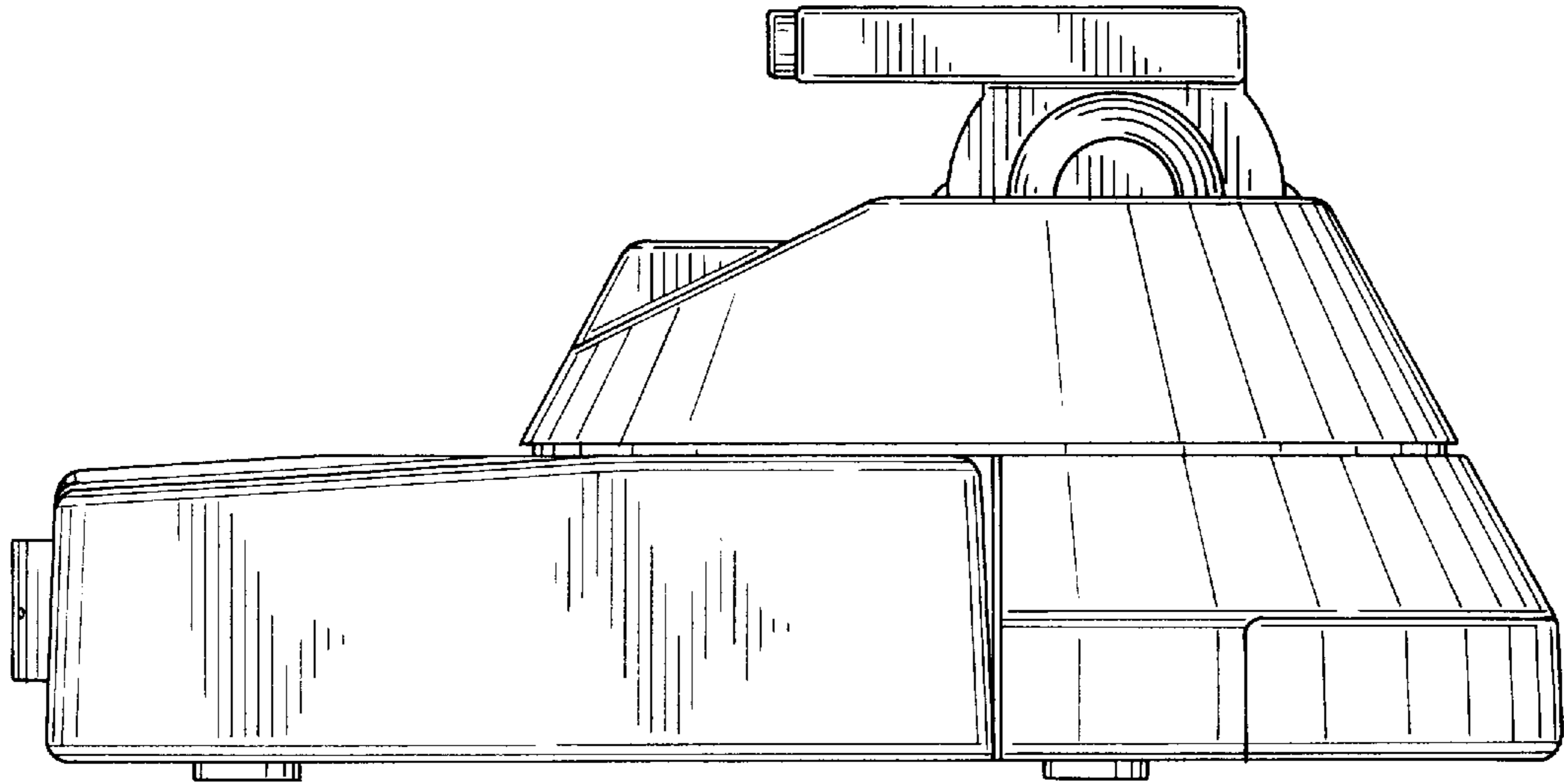


FIG. 6

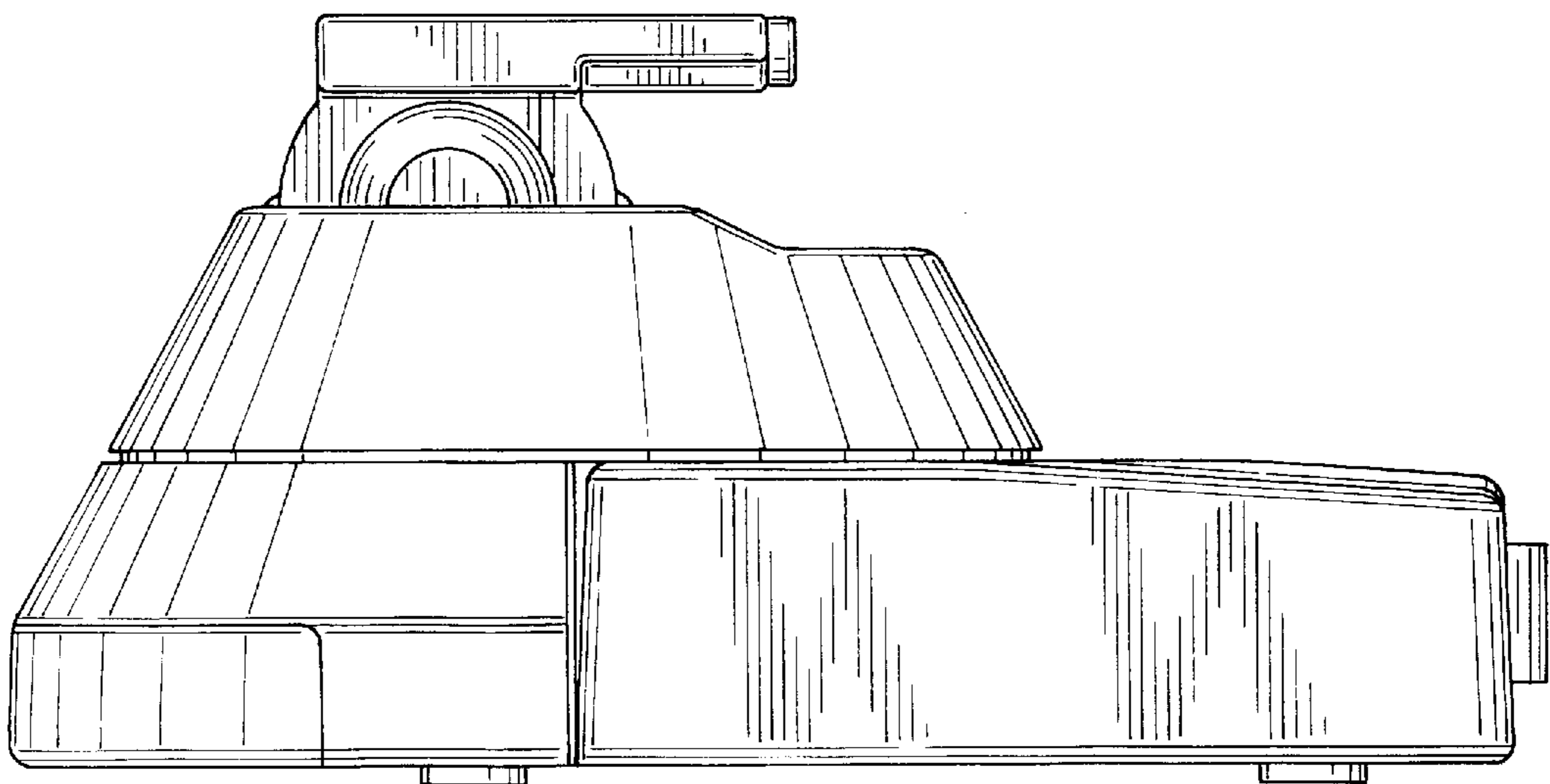


FIG. 7

