



US00D405810S

# United States Patent [19]

Price et al.

[11] Patent Number: **Des. 405,810**

[45] Date of Patent: **\*\*Feb. 16, 1999**

[54] **MOTOR HOUSING FOR A SLIDING COMPOUND MITER SAW**

[75] Inventors: **Scott Price**, Pylesville; **Robert P. Welsh**, Hunt Valley, both of Md.

[73] Assignee: **Black & Decker Inc.**, Newark, Del.

[\*\*] Term: **14 Years**

[21] Appl. No.: **87,905**

[22] Filed: **May 11, 1998**

### Related U.S. Application Data

[63] Continuation of Ser. No. 72,692, Jun. 19, 1997, abandoned.

[51] **LOC (6) Cl.** ..... **15-09**

[52] **U.S. Cl.** ..... **D15/133**

[58] **Field of Search** ..... D15/133; 83/397, 83/471.1, 471.2, 471.3, 477, 581

### [56] References Cited

#### U.S. PATENT DOCUMENTS

- D. 305,542 1/1990 Miyamoto et al. .
- D. 306,031 2/1990 Ushiwata et al. .
- D. 334,576 4/1993 Kawakami et al. .

- D. 336,652 6/1993 Arehart .
- D. 345,743 4/1994 Garcia .
- 5,437,214 8/1995 Saski et al. .... 83/471.3
- 5,524,516 6/1996 Saski et al. .... 83/471.3
- 5,564,323 10/1996 Saski et al. .... 83/471.3

*Primary Examiner*—Antoine Duval Davis  
*Attorney, Agent, or Firm*—Harness, Dickey & Pierce, P.L.C.

### [57] CLAIM

The ornamental design for a motor housing for a sliding compound miter saw, as shown and described.

### DESCRIPTION

FIG. 1 is a perspective view of the design for a motor housing for a sliding compound miter saw according to the present invention;  
 FIG. 2 is a front elevational view thereof;  
 FIG. 3 is a left side elevational view thereof;  
 FIG. 4 is a top plan view thereof;  
 FIG. 5 is a bottom plan view thereof; and,  
 FIG. 6 is a right side elevational view thereof.  
 The broken line showing of the sliding compound miter saw is for illustrative purposes only and forms no part of the claimed design.

**1 Claim, 2 Drawing Sheets**

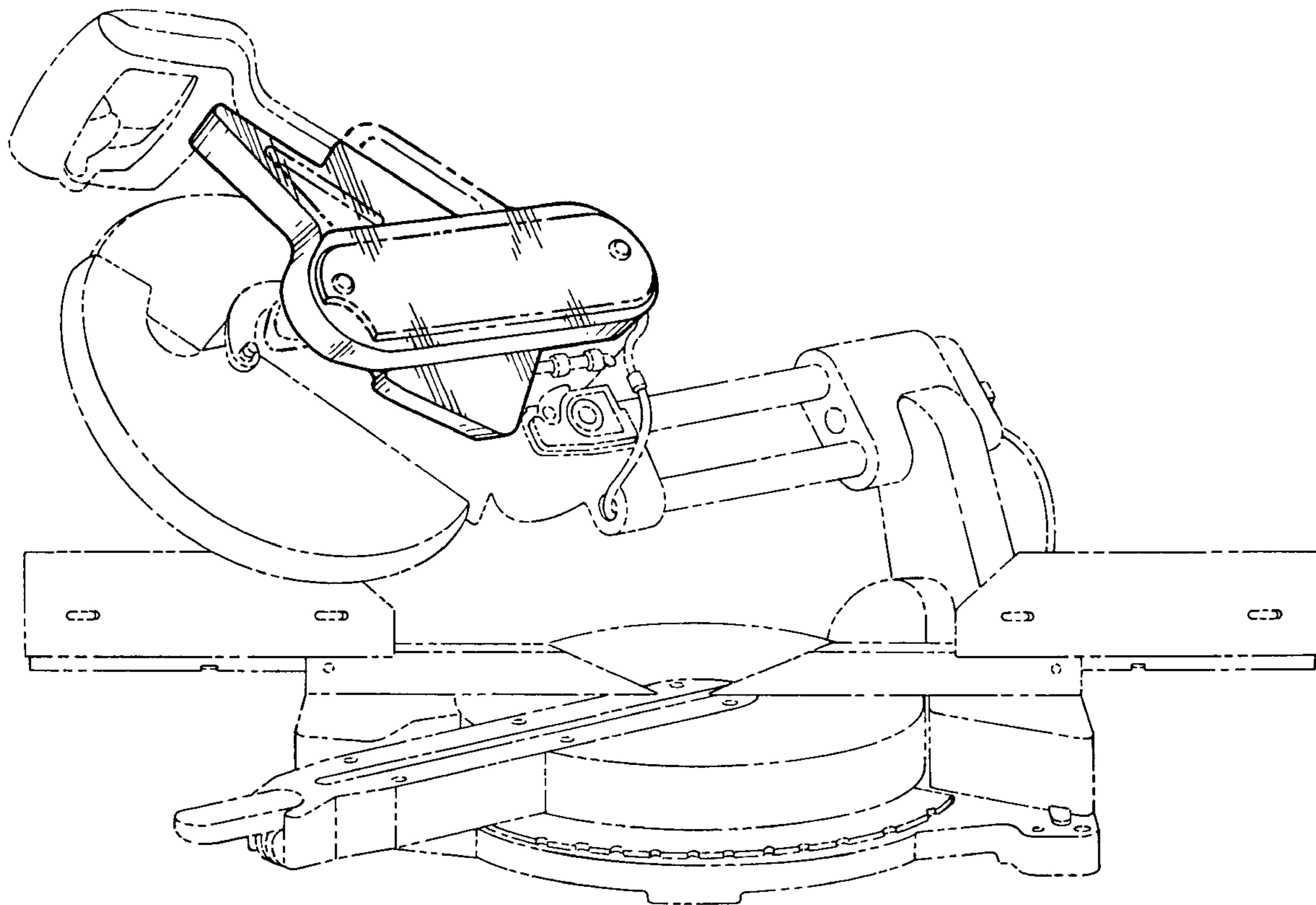
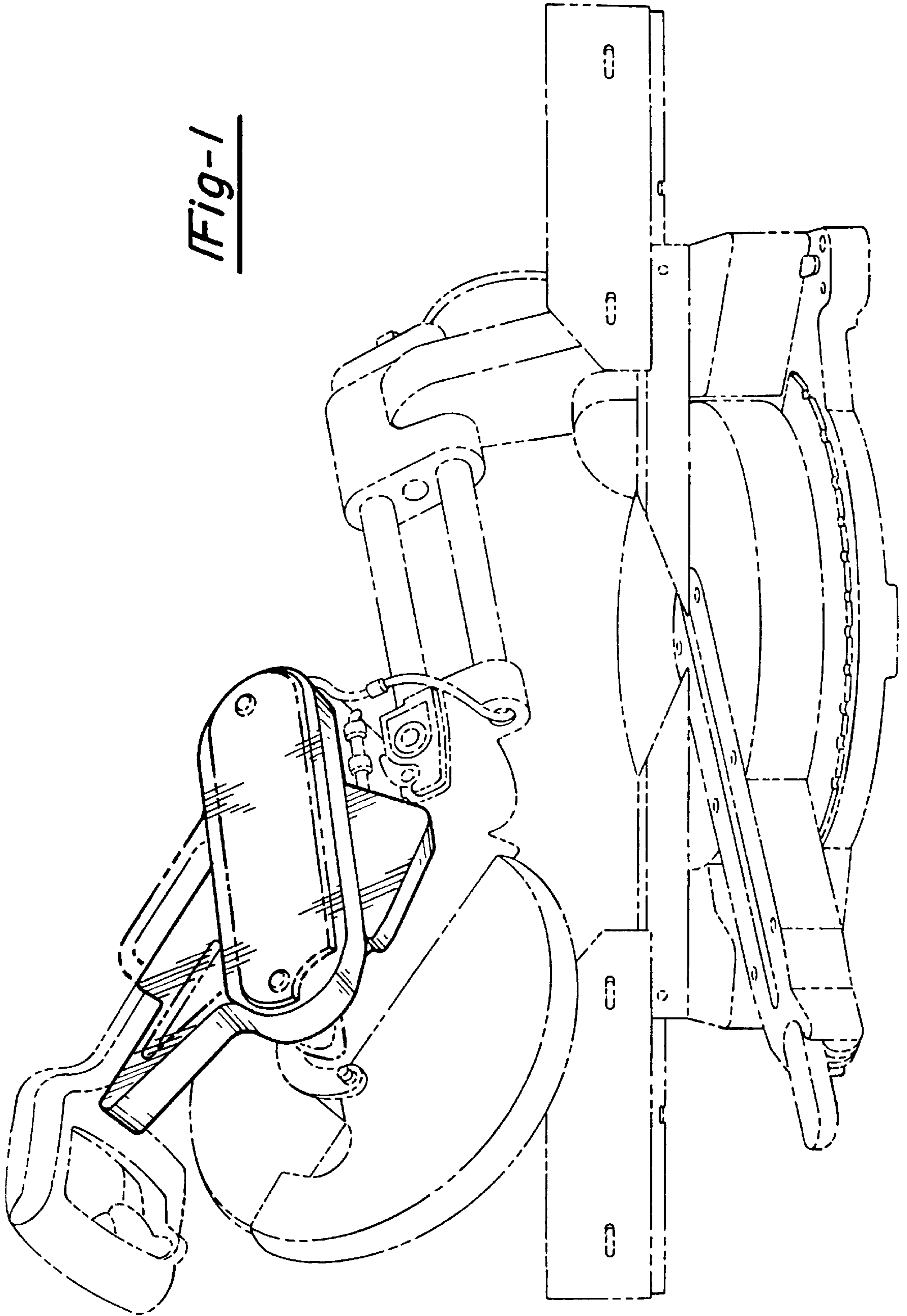


Fig-1



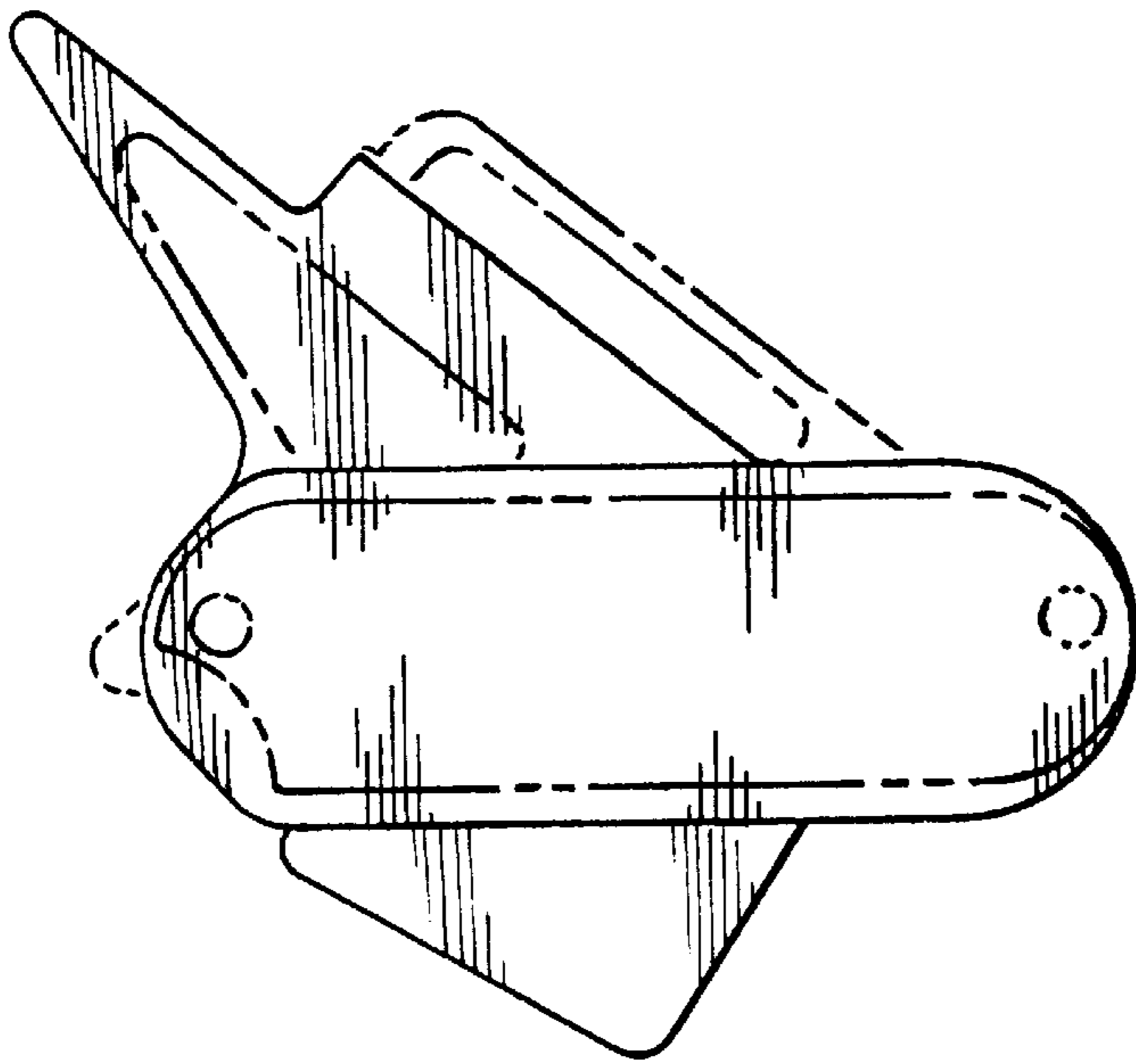


Fig-2

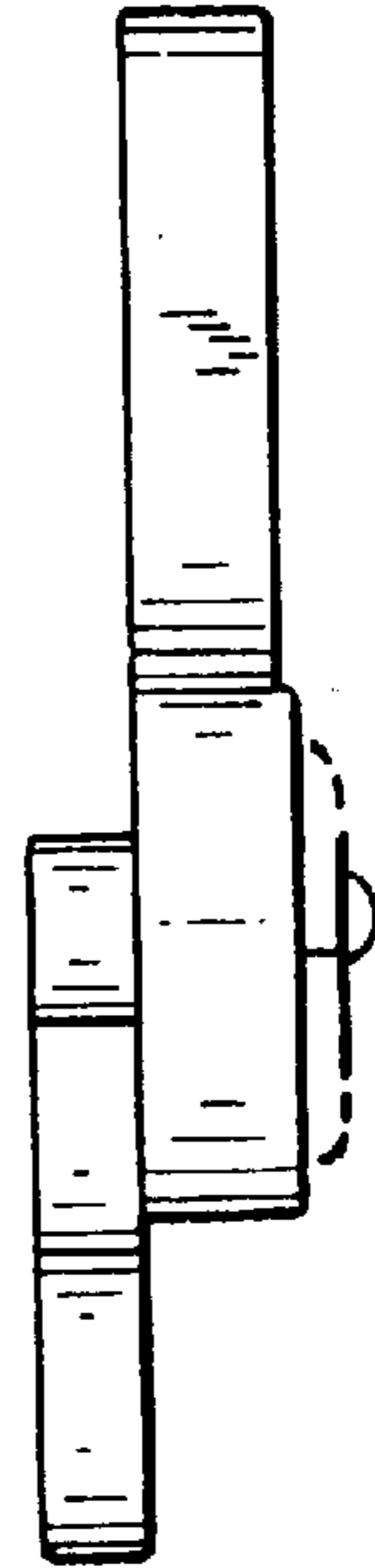


Fig-3

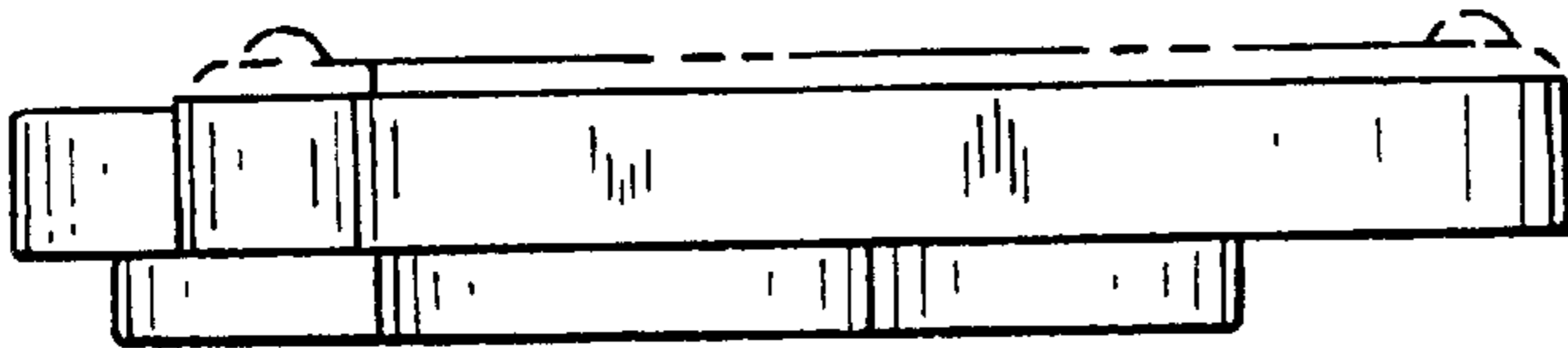


Fig-5

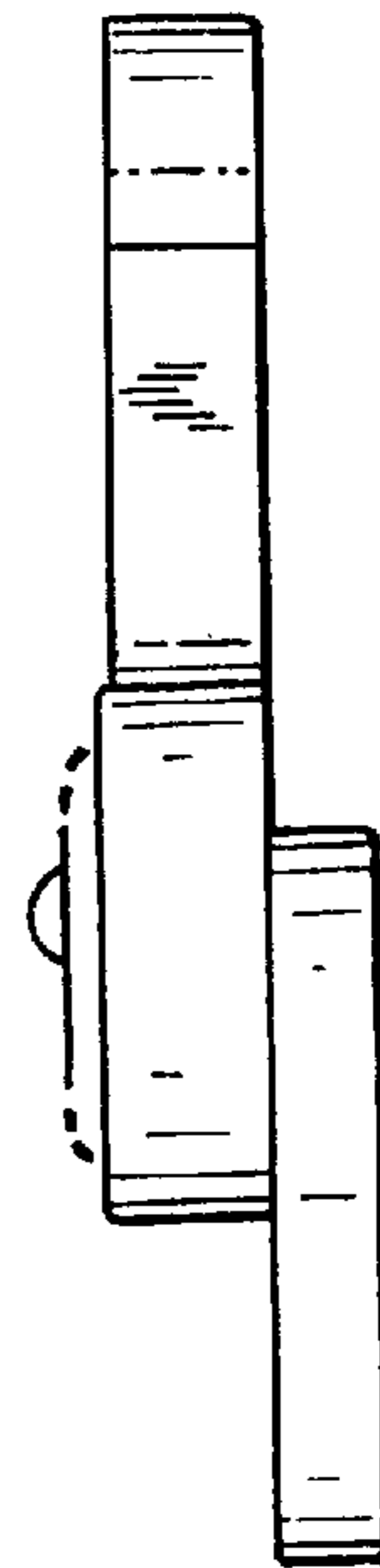


Fig-6

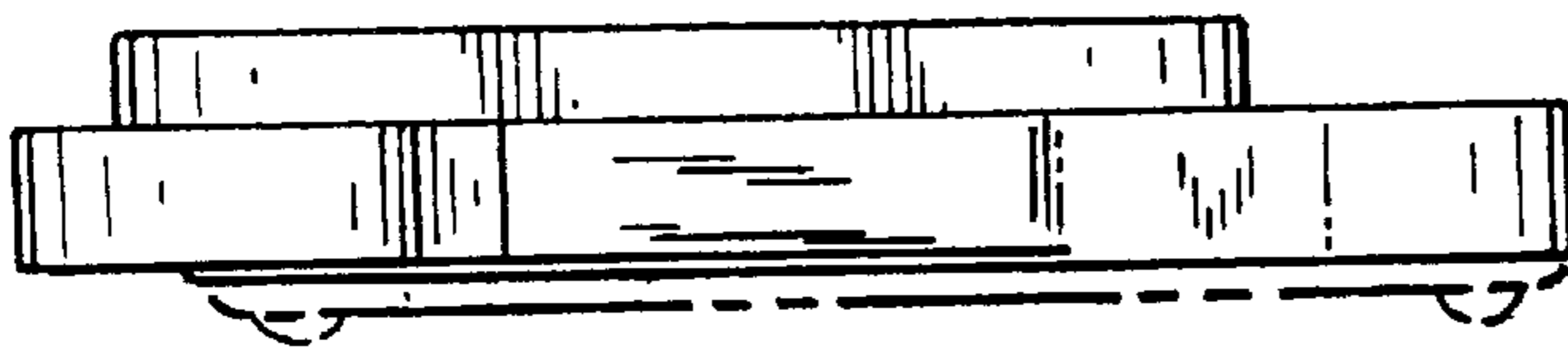


Fig-4